



US00D360563S

United States Patent [19]

[11] Patent Number: **Des. 360,563**

Griffin et al.

[45] Date of Patent: **** Jul. 25, 1995**

[54] EDGER

[75] Inventors: **John Griffin**, Phoenix, Ariz.; **David M. Martinez**, Williamsport, Pa.

[73] Assignee: **McCulloch Corporation**, Tucson, Ariz.

[**] Term: **14 Years**

[21] Appl. No.: **25,917**

[22] Filed: **Jul. 15, 1994**

[52] U.S. Cl. **D8/8; D8/1**

[58] Field of Search **D8/1, 8; 56/12.1, 12.7, 56/17.1; 172/13**

OTHER PUBLICATIONS

Black & Decker, 1990-91, p. 7, edger located in middle of page.

Primary Examiner—James M. Gandy

Assistant Examiner—Holly Baynham

Attorney, Agent, or Firm—Marshall, O'Toole, Gerstein, Murray & Borun

[57] CLAIM

The ornamental design for an edger, as shown and described.

DESCRIPTION

FIG. 1 is a perspective view taken from the front and right side of an edger showing our new design;

FIG. 2 is a right side elevational view thereof;

FIG. 3 is a front elevational view thereof;

FIG. 4 is a rear elevational view thereof;

FIG. 5 is a left side elevational view thereof;

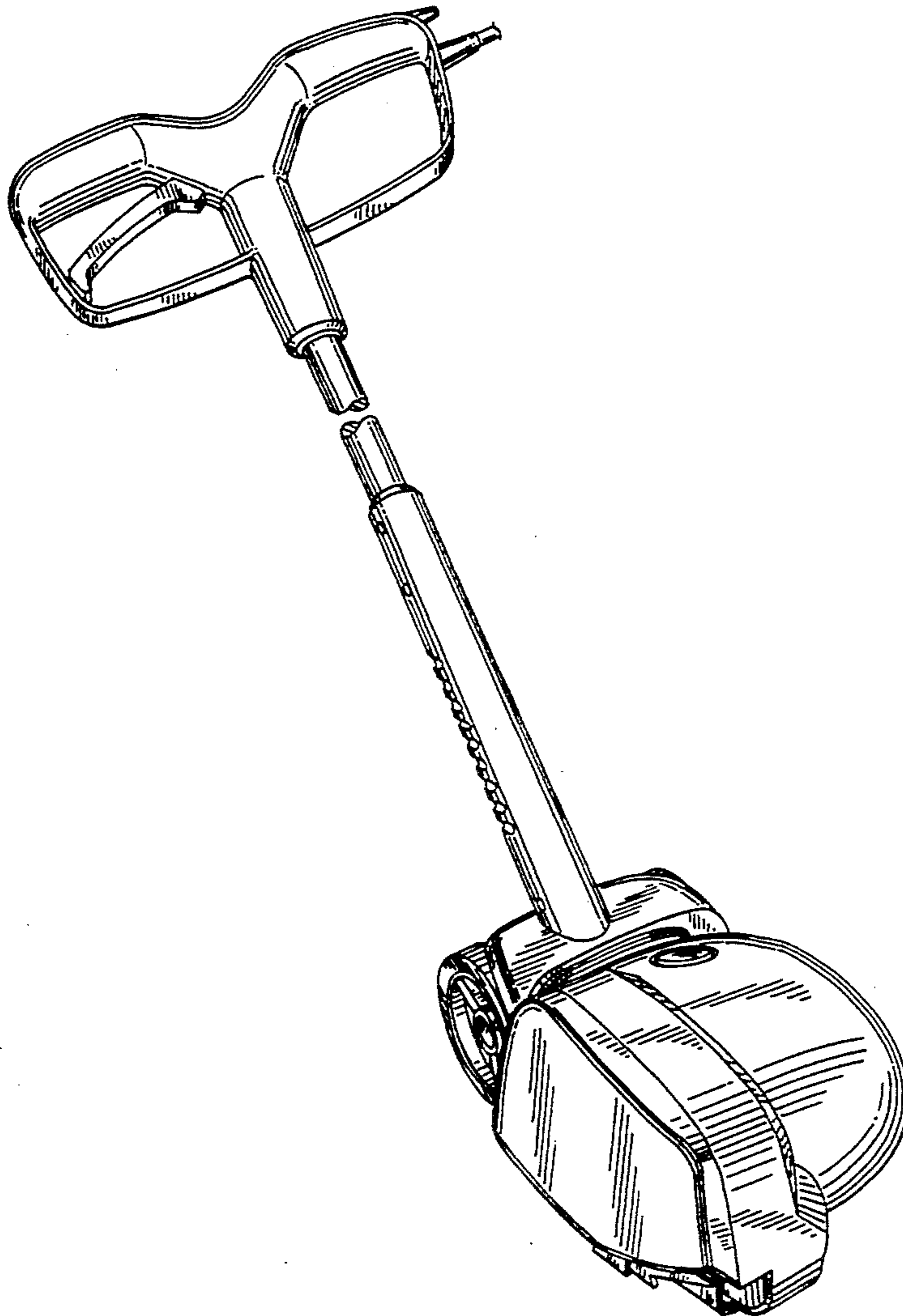
FIG. 6 is a plan view thereof; and,

FIG. 7 is a bottom elevational view thereof.

[56] References Cited

U.S. PATENT DOCUMENTS

3,018,602	1/1962	Diesterweg	56/12.7 X
3,561,199	2/1971	Lay .	
3,693,255	9/1972	Langenstein	56/12.7 X
3,803,819	4/1974	Ehrlich	56/17.1
4,463,544	8/1984	Carsello et al.	56/17.1
5,263,303	11/1993	Stroud	56/12.7



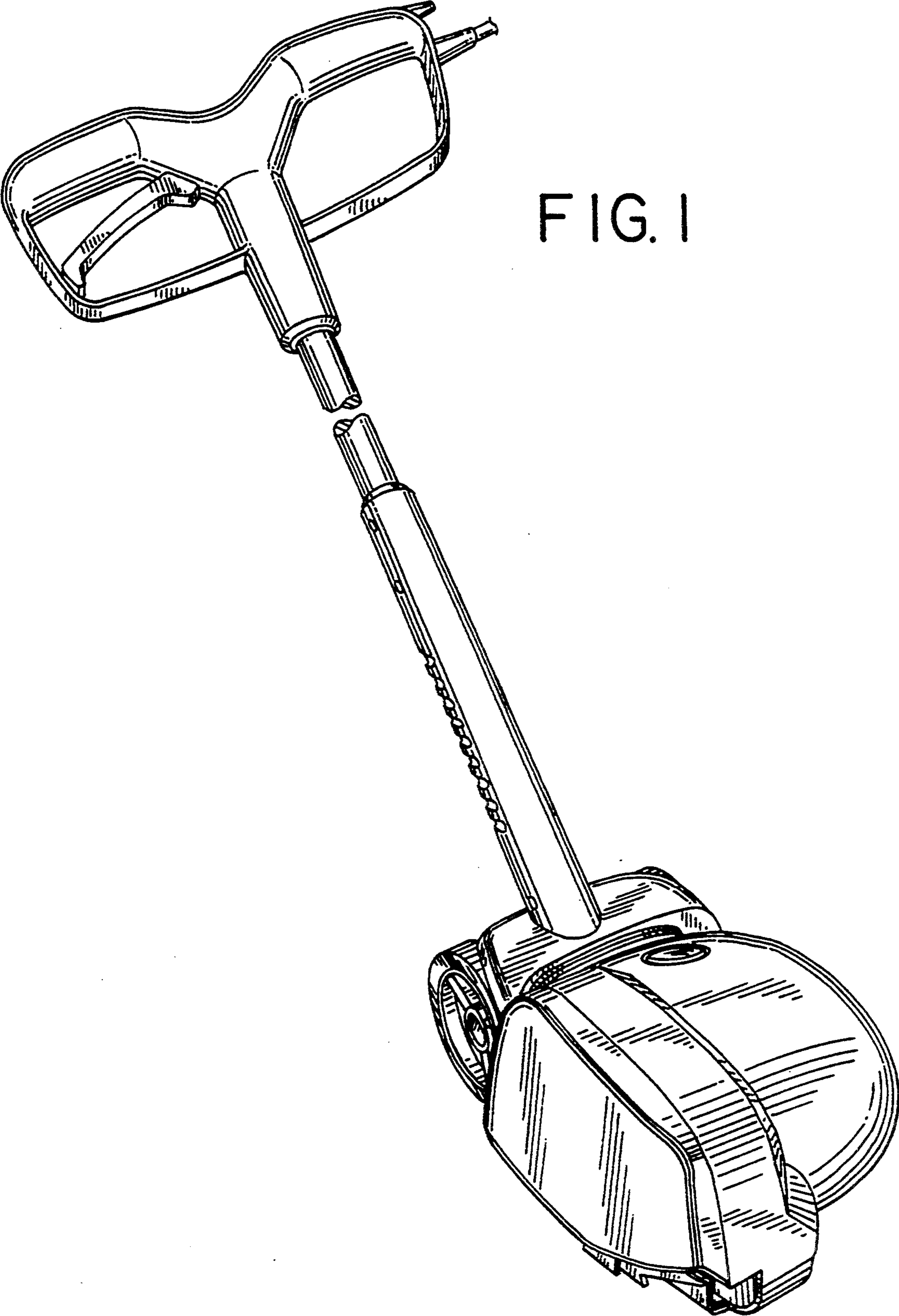


FIG. 1

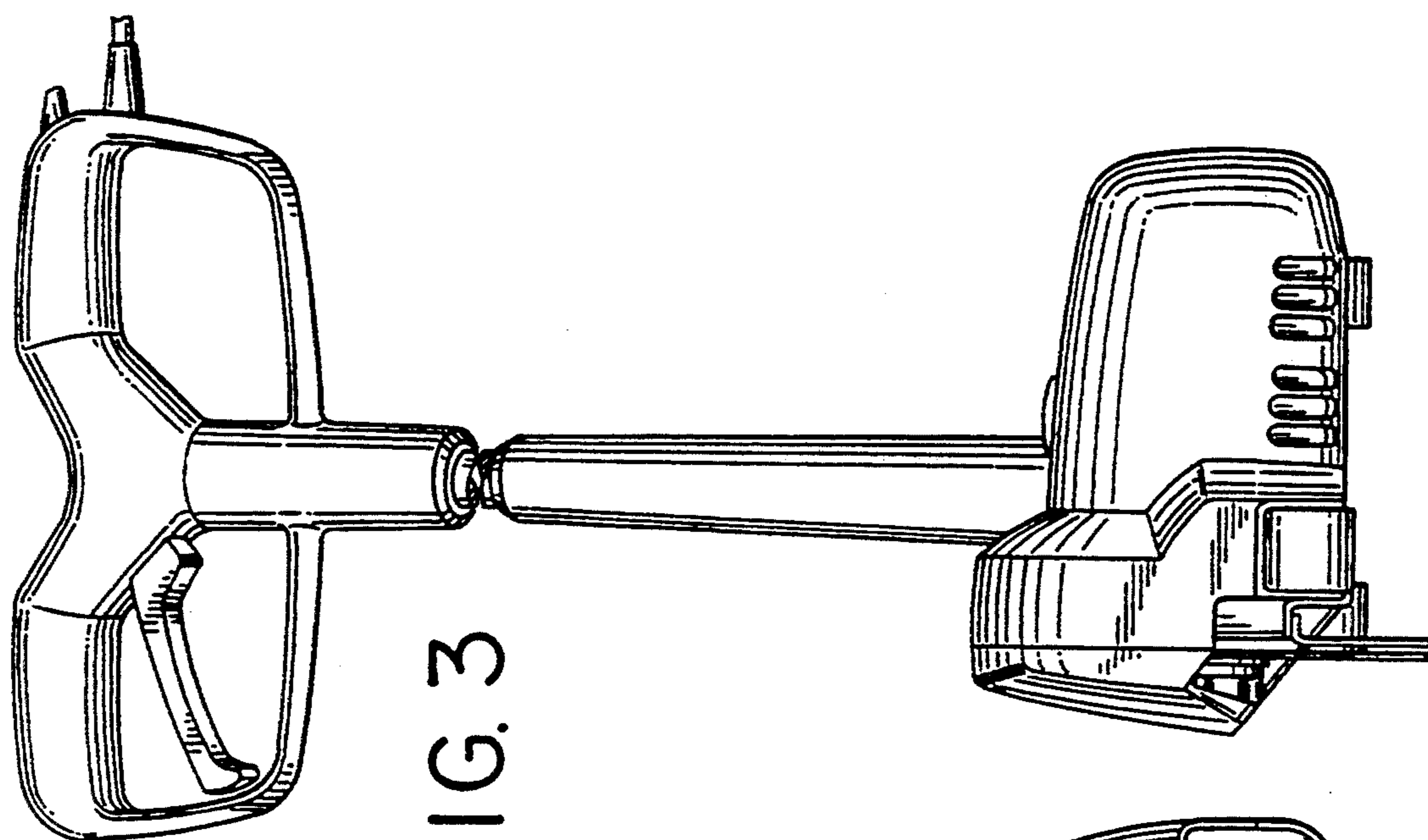


FIG. 3

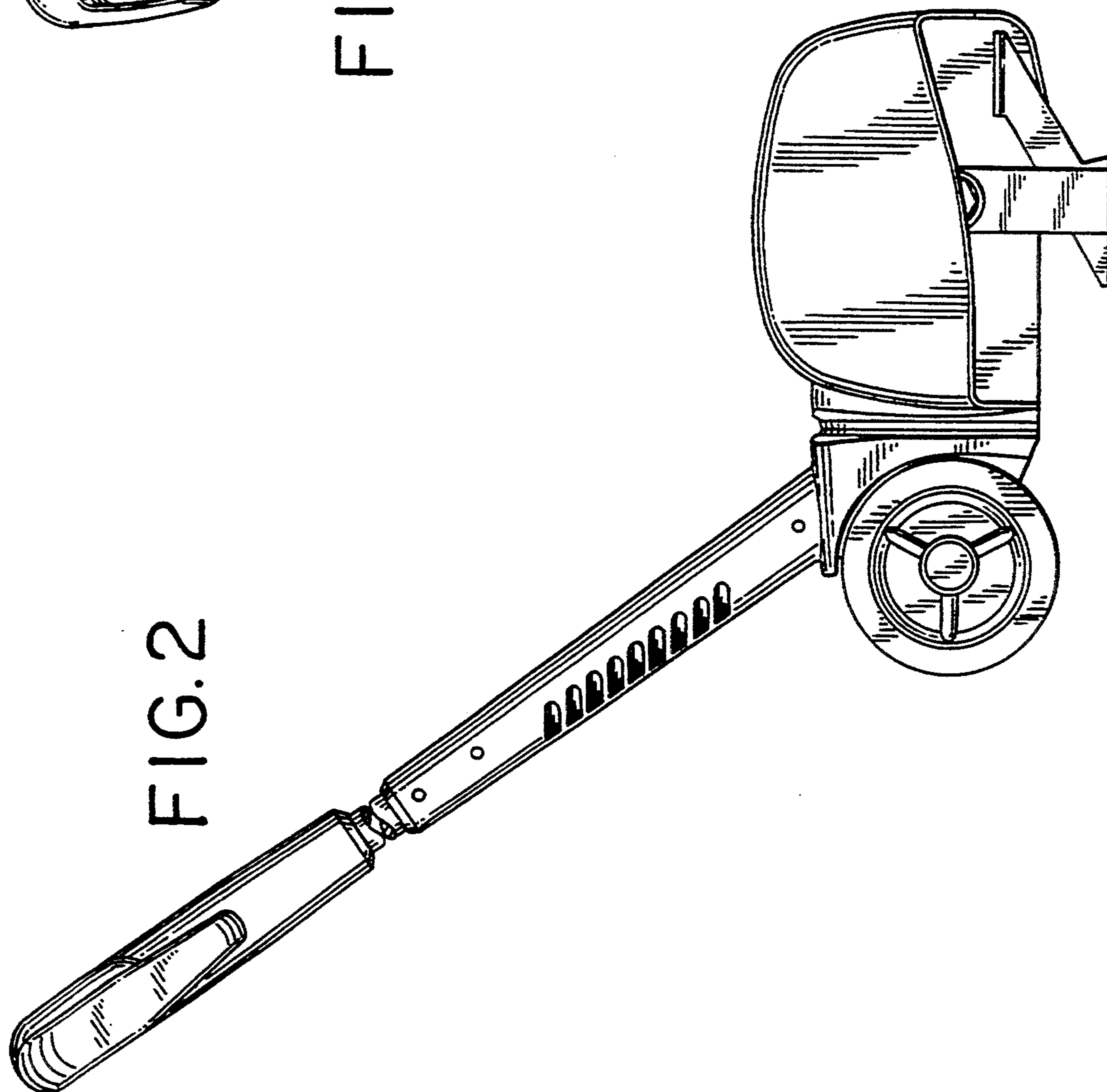


FIG. 2

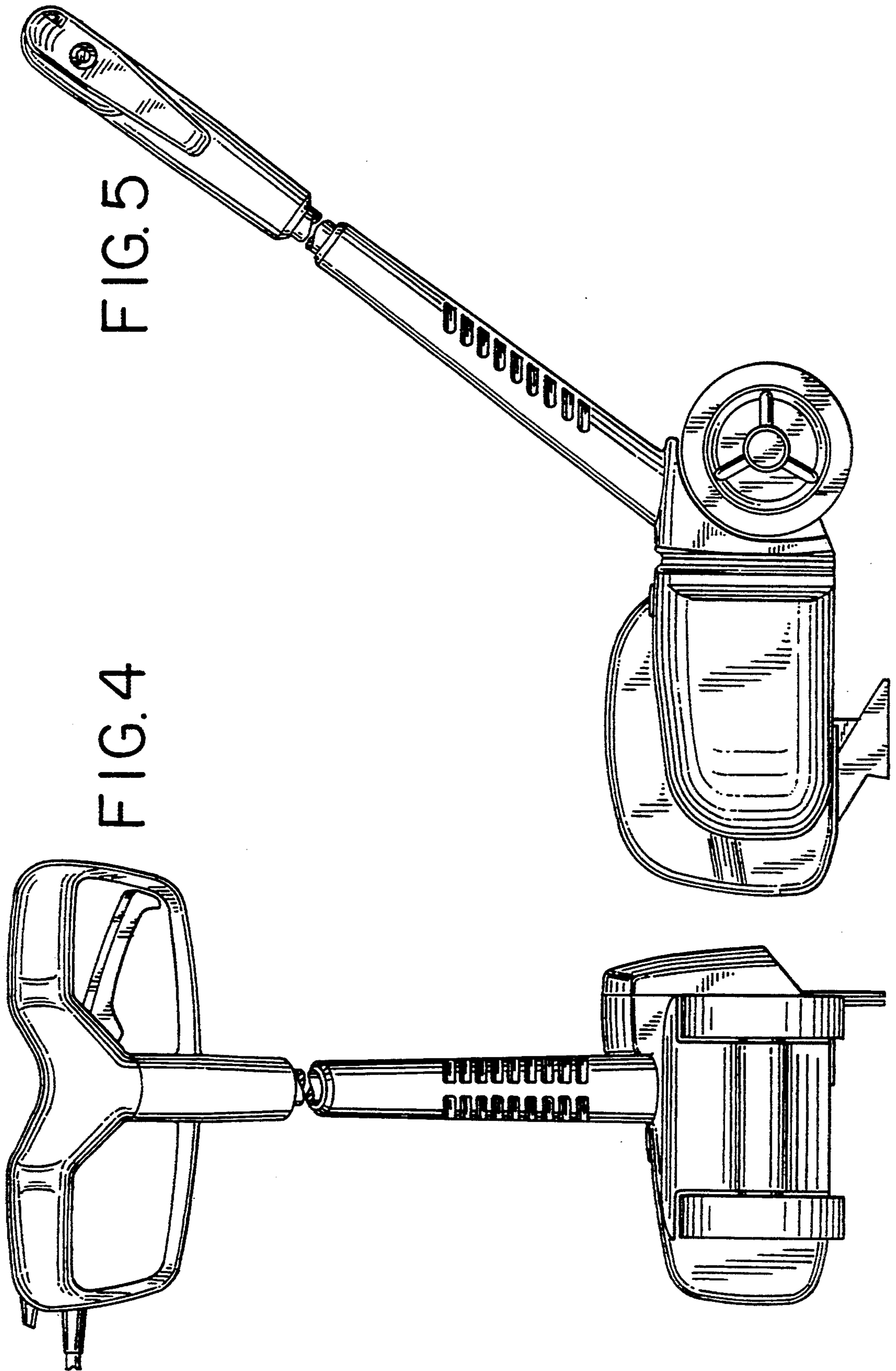


FIG. 5

FIG. 4

FIG. 6

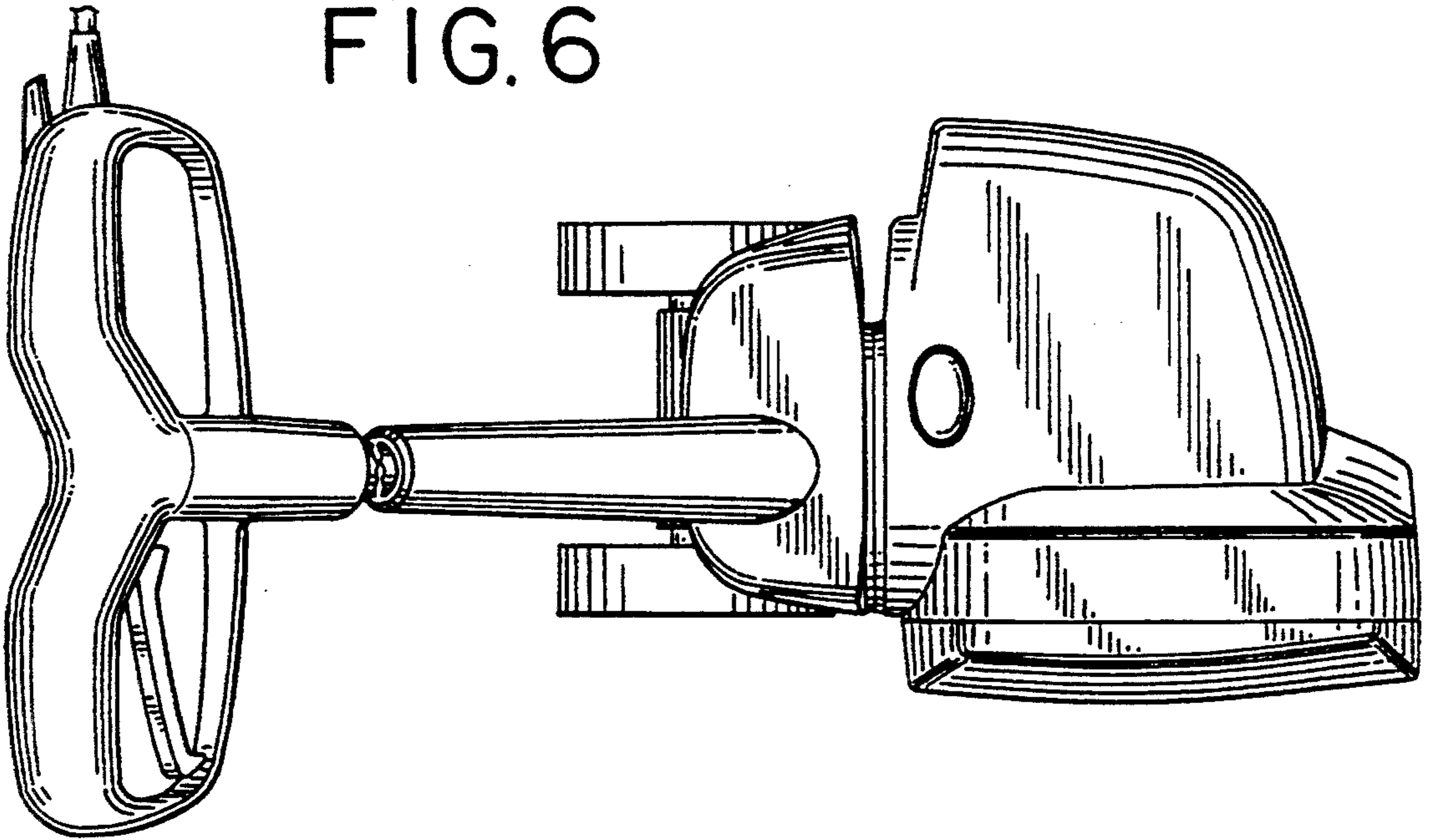


FIG. 7

