



US00D360562S

# United States Patent [19]

Pilcik

[11] Patent Number: **Des. 360,562**

[45] Date of Patent: **\*\* Jul. 25, 1995**

[54] **DISPENSER FOR PARTICULATE AND POWDER MATERIALS**

4,339,058 7/1982 Wendt ..... 222/473 X  
5,236,105 8/1993 Galex ..... 222/1  
5,265,761 11/1993 Brown ..... 222/1

[76] Inventor: **Raymond Pilcik**, 606 Sycamore, Richmond, Tex. 77469

*Primary Examiner*—Susan J. Lucas  
*Assistant Examiner*—Holly Baynham  
*Attorney, Agent, or Firm*—Kenneth A. Roddy

[\*\*] Term: **14 Years**

[21] Appl. No.: **20,722**

[57] **CLAIM**

[22] Filed: **Mar. 31, 1994**

The ornamental design for a dispenser for particulate and powder materials, as shown and described.

[52] U.S. Cl. .... **D8/2**

[58] Field of Search ..... D8/2; D23/223; 222/470-471, 473, 1; D22/100, 102; D15/13

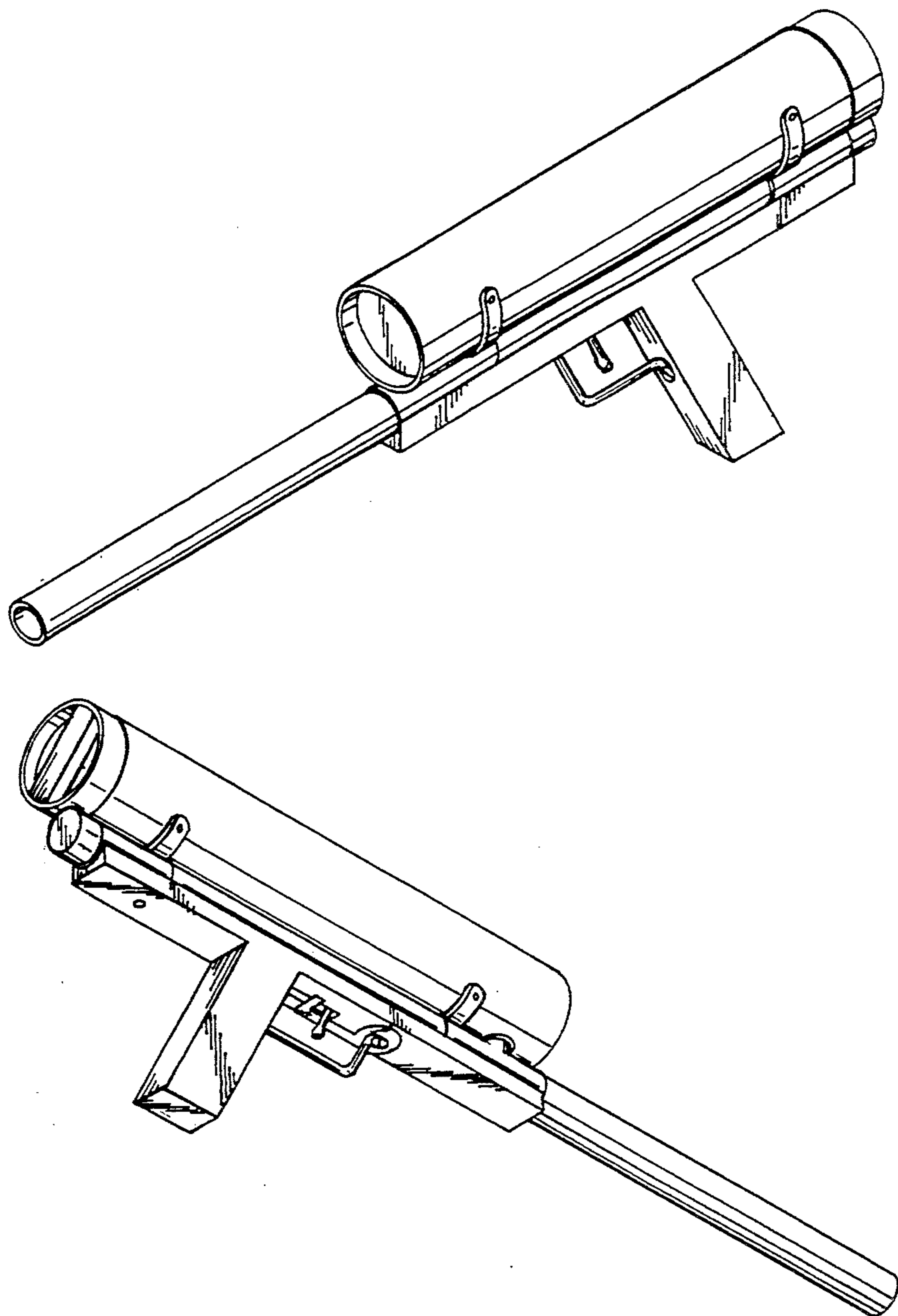
**DESCRIPTION**

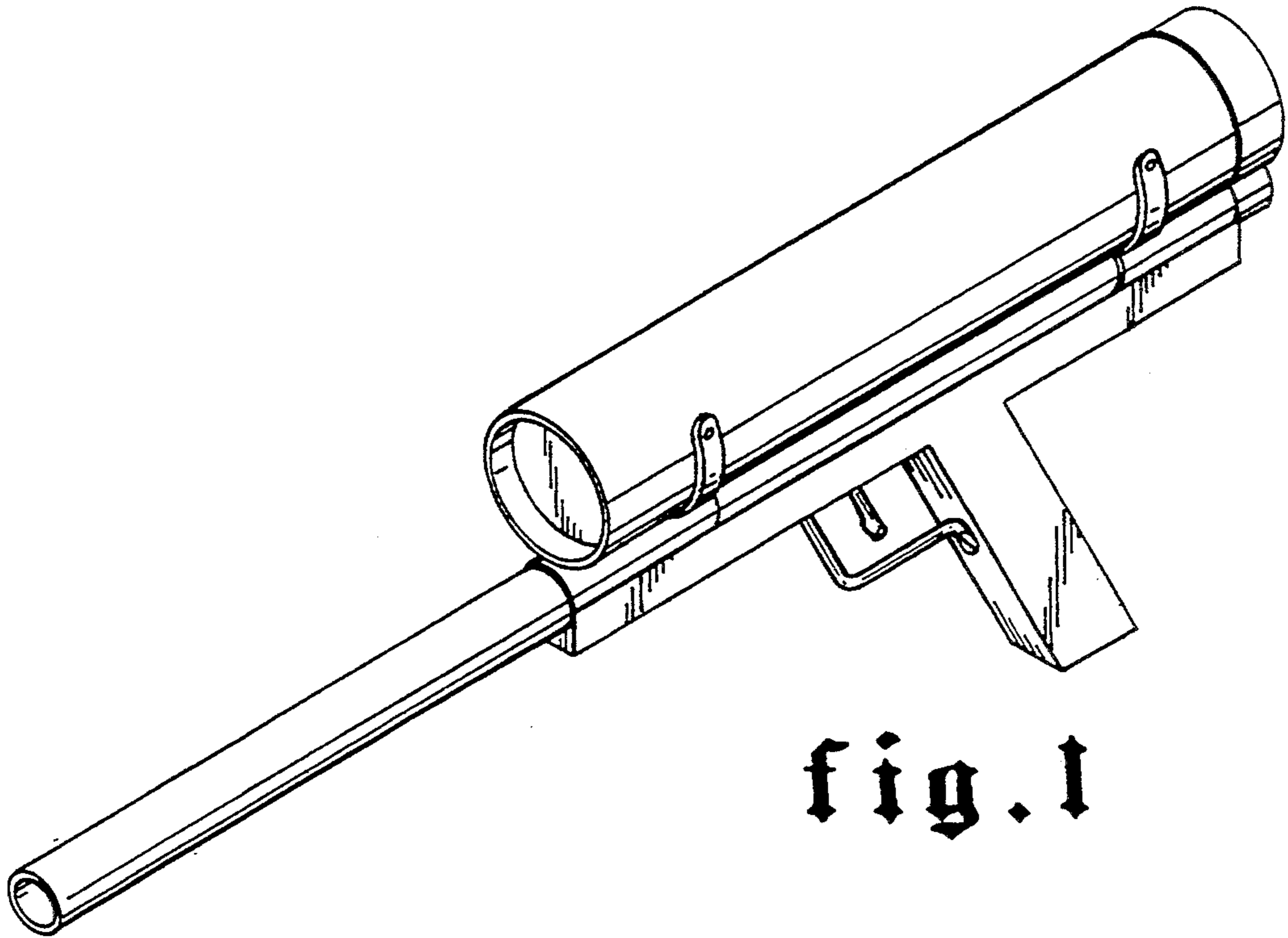
[56] **References Cited**

**U.S. PATENT DOCUMENTS**

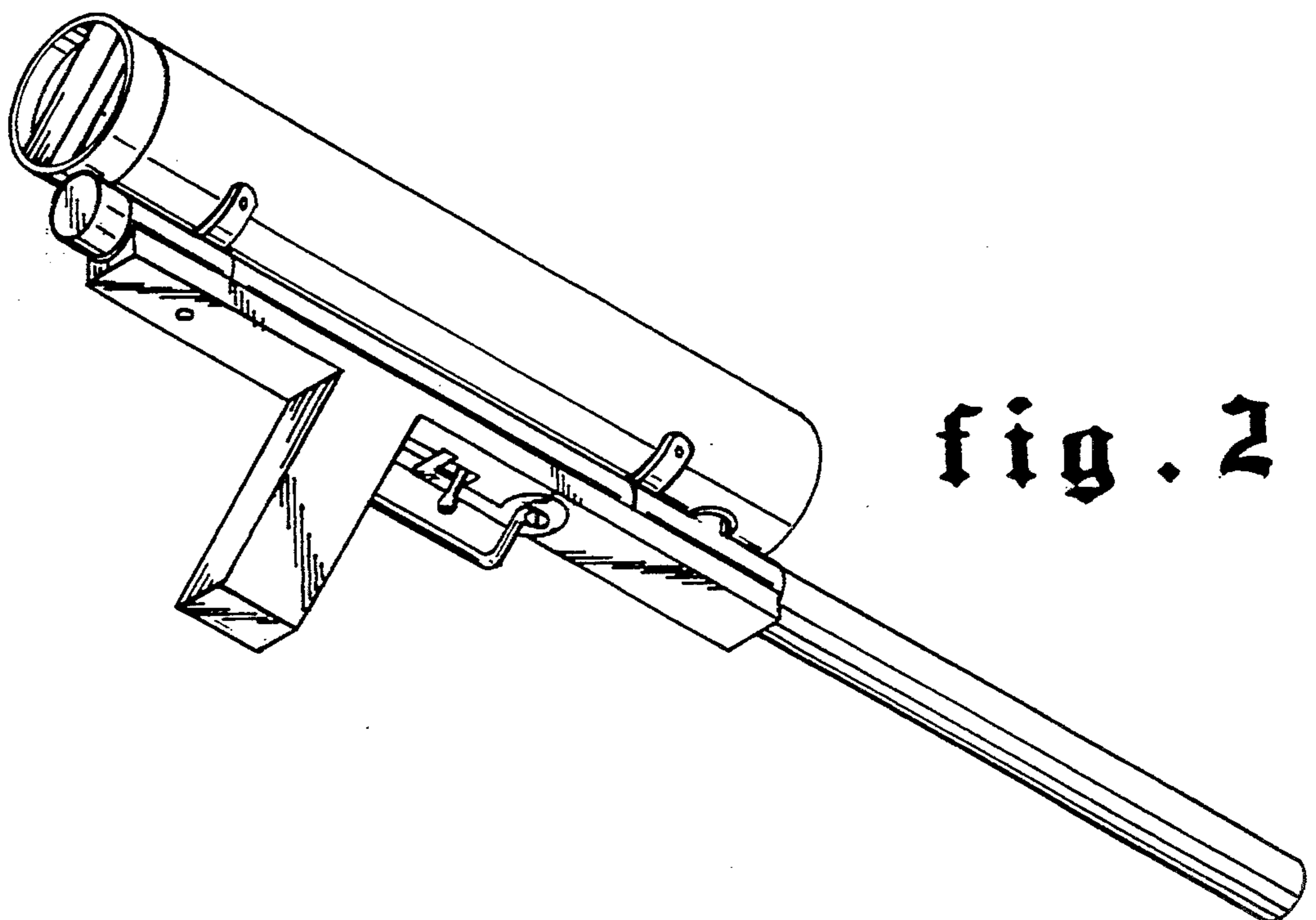
3,461,588 8/1969 Johnson ..... 47/57.5 X

FIG. 1 is a perspective view of a dispenser for particulate and powder materials showing my new design from the top, front and right side; and, FIG. 2 is a perspective view thereof shown from the bottom, rear and left side.





**fig. 1**



**fig. 2**