



US00D360559S

# United States Patent [19]

[11] Patent Number: **Des. 360,559**

Grubb et al.

[45] Date of Patent: **\*\* Jul. 25, 1995**

[54] CASK HOLDER

[56] References Cited

[75] Inventors: **Bernice E. Grubb**, 148 Moran Street, Boulder, Australia, 6432; **Richard L. Miller**, Dix Hills, N.Y.

### U.S. PATENT DOCUMENTS

D. 228,529	10/1973	Bates	.....	D7/619 X
2,925,235	2/1960	Jaros	.....	D7/619 X
5,002,246	3/1991	Chaffin et al.	.....	248/153

[73] Assignee: **Bernice E. Grubb**, Boulder, Australia

*Primary Examiner*—Terry A. Wallace  
*Attorney, Agent, or Firm*—Richard L. Miller

[\*\*] Term: **14 Years**

[57] CLAIM

[21] Appl. No.: **22,064**

The ornamental design for: cask holder, as shown and described.

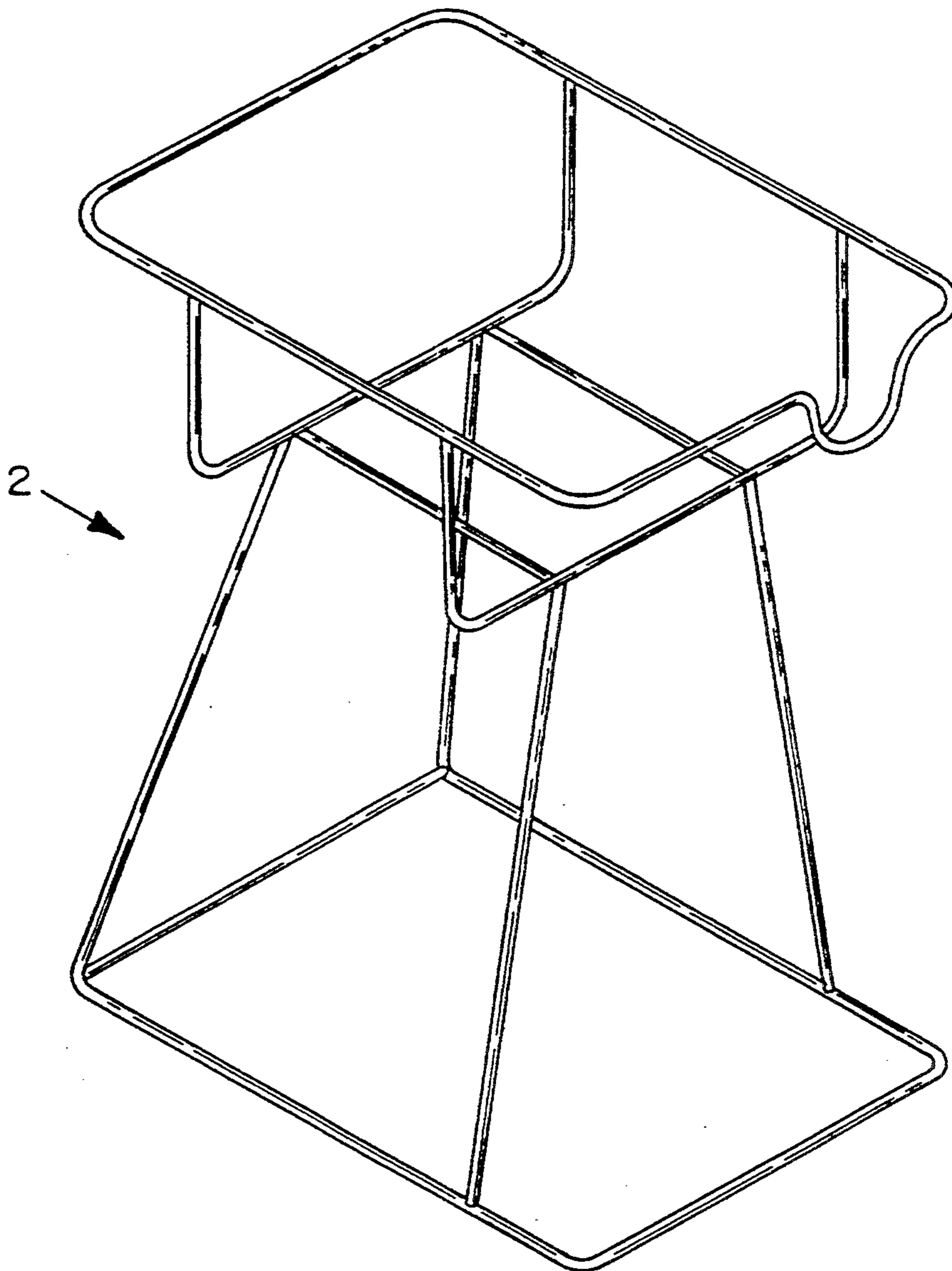
[22] Filed: **Apr. 28, 1994**

### DESCRIPTION

[52] U.S. Cl. .... **D7/619**

FIG. 1 is a top front right perspective view showing our new design for a cask holder; and, FIG. 2 is a bottom rear left perspective elevational view.

[58] Field of Search ..... D7/619, 621, 704; D9/455; D6/462; 211/74, 181; 248/153



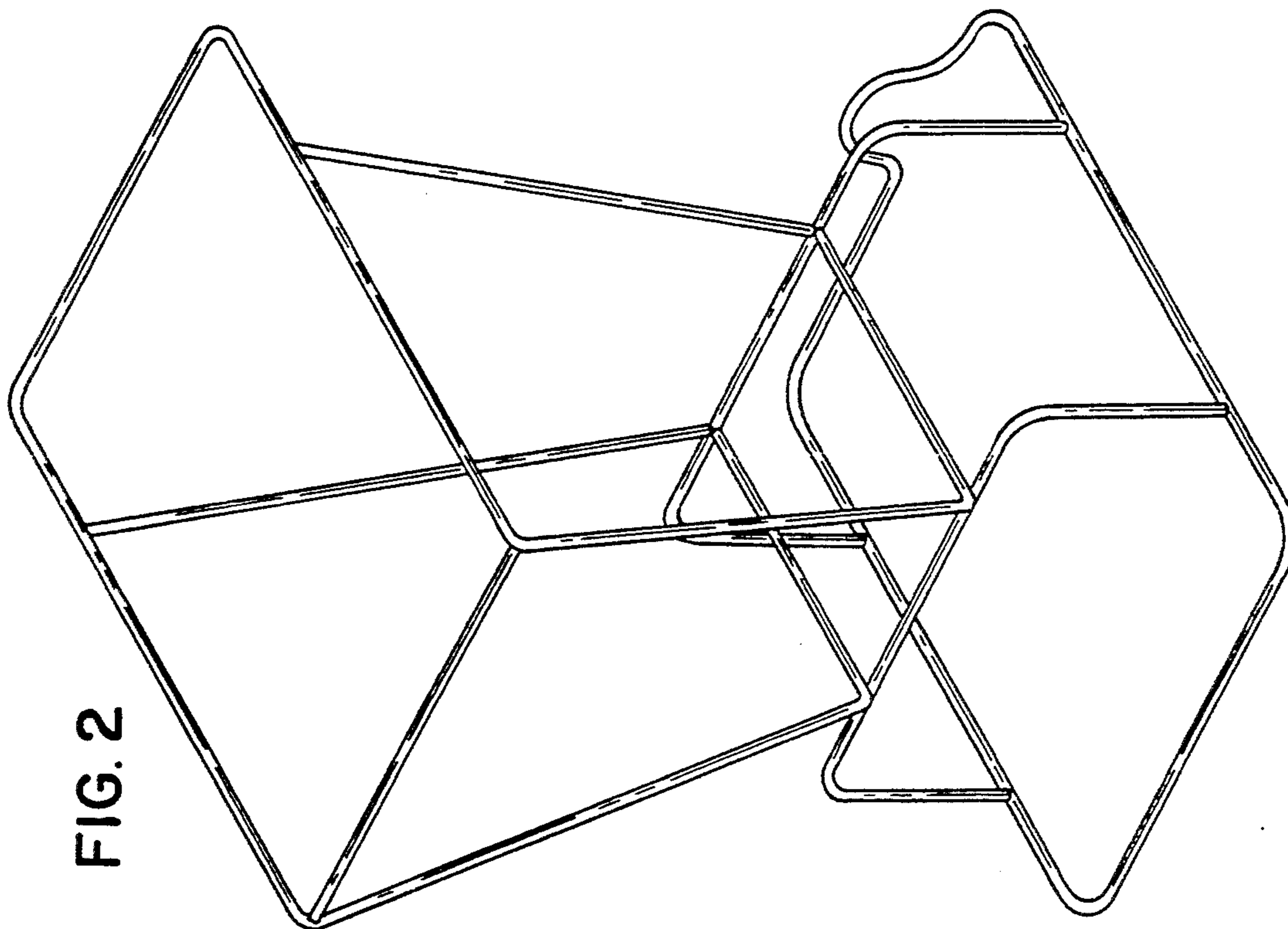


FIG. 2

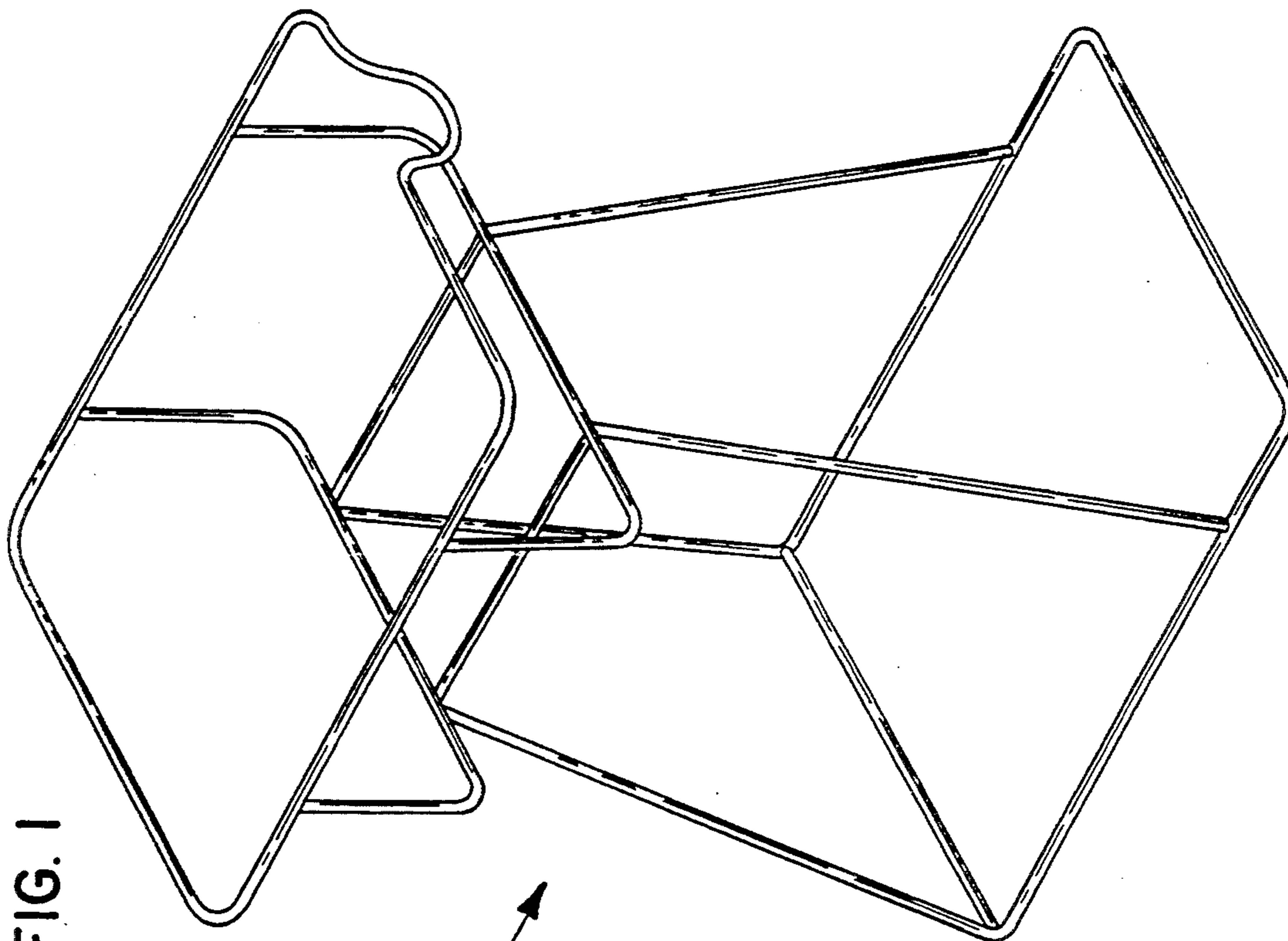


FIG. 1

