



US00D360557S

United States Patent [19]

[11] Patent Number: **Des. 360,557**

Ono et al.

[45] Date of Patent: **** Jul. 25, 1995**

[54] **IGNITER**

[75] Inventors: **Katsumi Ono; Yosimitu Kaga**, both of Shizuoka, Japan

[73] Assignee: **Tokai Corporation**, Shizuoka, Japan

[**] Term: **14 Years**

[21] Appl. No.: **13,738**

[22] Filed: **Sep. 30, 1993**

[52] U.S. Cl. **D7/416**

[58] Field of Search **D7/416, 417; 417/411; 310/339; D8/30, 14.1; 431/13; 126/409**

D. 327,813	7/1992	Shike et al.	D7/416
D. 345,489	3/1974	Moh	D7/416
2,595,390	5/1952	King et al.	D7/416 X
4,153,852	5/1979	Vaner	310/339
4,292,021	9/1981	Miyagawa	431/13
4,354,482	10/1982	Beisecker	126/409
4,502,465	3/1985	Yoshinaga+ .	
4,610,624	9/1986	Bruhn .	
4,810,173	3/1989	Thomson et al.	417/411
5,154,601	10/1992	Lloveras Capilla .	

Primary Examiner—Alan P. Douglas
Assistant Examiner—M. N. Pandozzi
Attorney, Agent, or Firm—Brumbaugh, Graves, Donohue & Raymond

[56] **References Cited**

U.S. PATENT DOCUMENTS

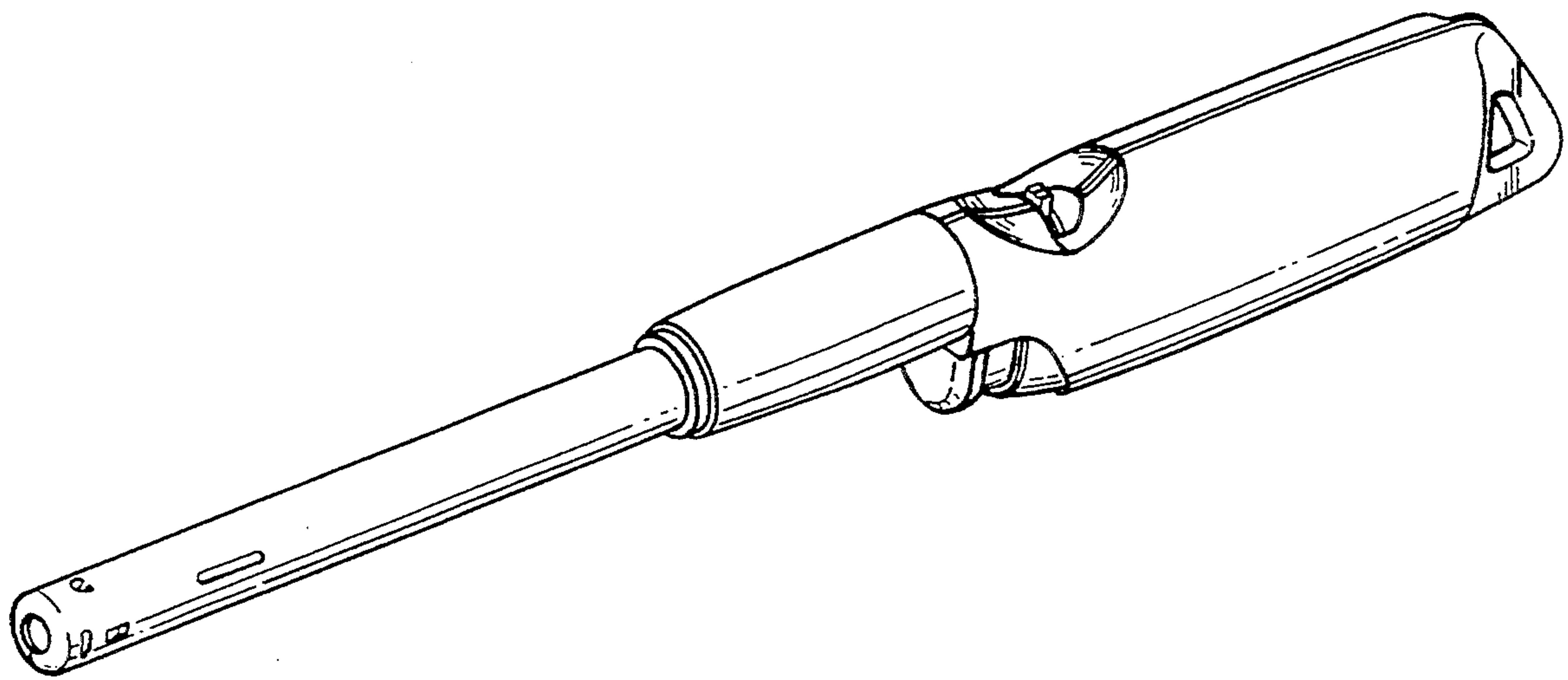
D. 241,645	9/1976	Lanzi	D7/416
D. 258,840	4/1981	Plozner	D7/416
D. 267,820	2/1983	Tomita	D7/416
D. 277,307	1/1985	Zeller et al.	D7/416
D. 293,603	1/1988	Matsumaru	D7/416
D. 294,329	2/1988	Matsumaru	D7/416
D. 295,598	5/1988	Takase	D7/416
D. 295,598	5/1988	Taskase	D7/416
D. 298,272	10/1998	Nitta	D7/416
D. 314,118	1/1991	Lloveras Capilla	D7/416
D. 319,371	8/1991	Galluch	D7/416

[57] **CLAIM**

The ornamental design for an igniter, as shown and described.

DESCRIPTION

FIG. 1 is a perspective view of an igniter showing our new design;
FIG. 2 is a front view of the igniter;
FIG. 3 is a rear view thereof;
FIG. 4 is a top plan view thereof;
FIG. 5 is a bottom view thereof;
FIG. 6 is a left side view thereof; and,
FIG. 7 is a right side view thereof.



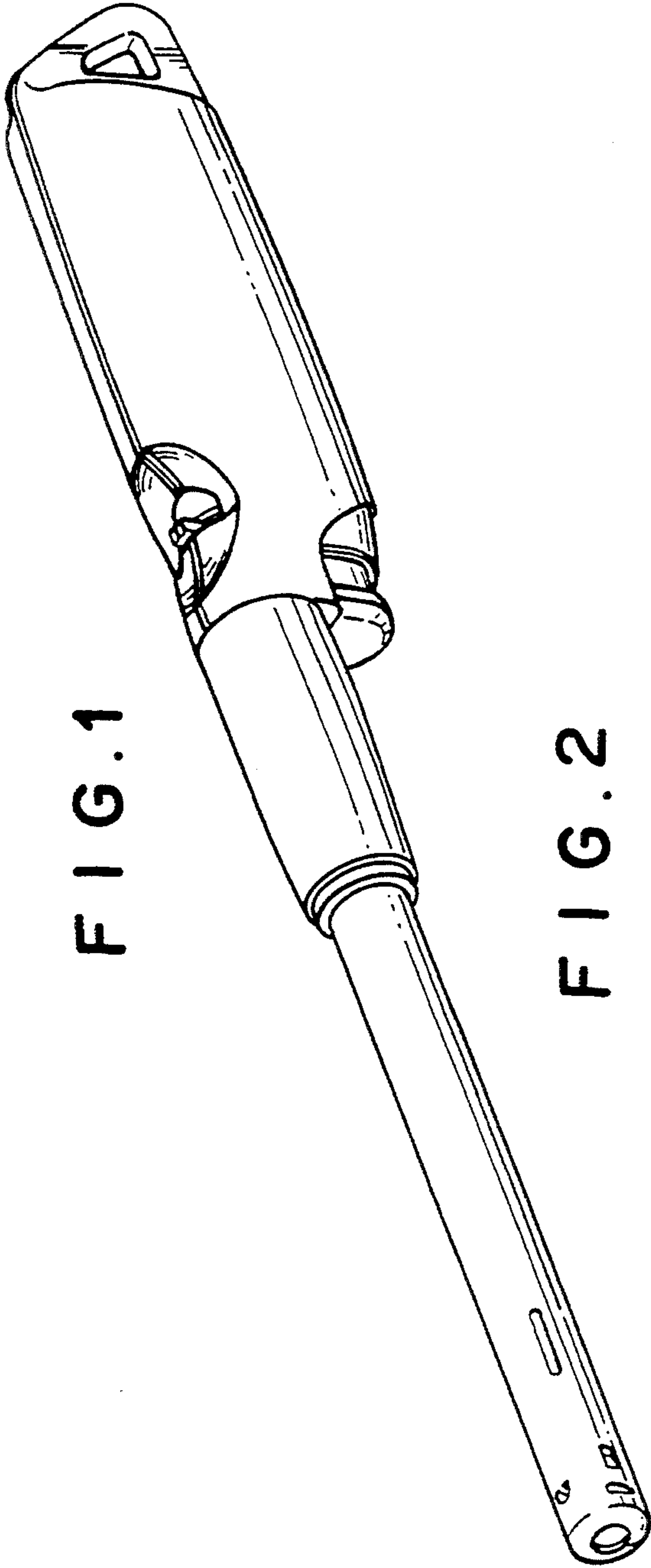


FIG. 1

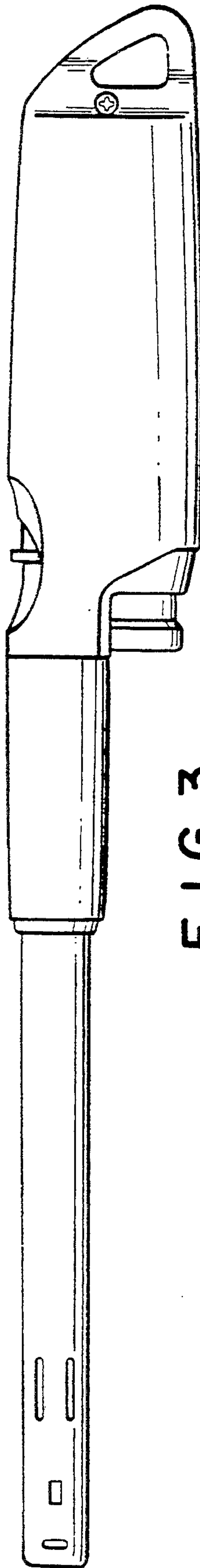


FIG. 2

FIG. 3

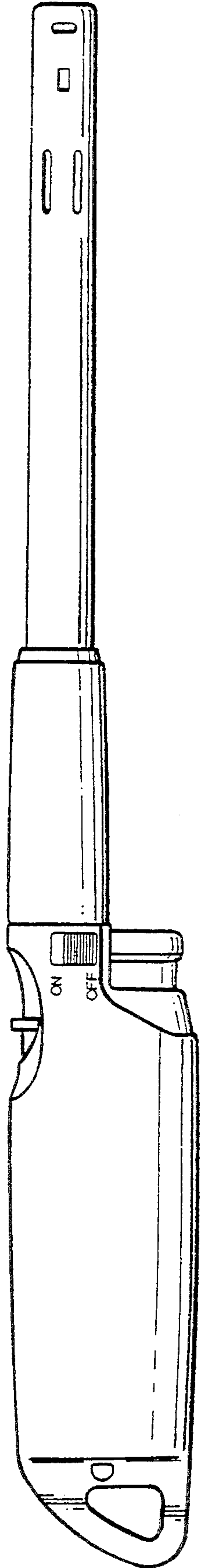


FIG. 4

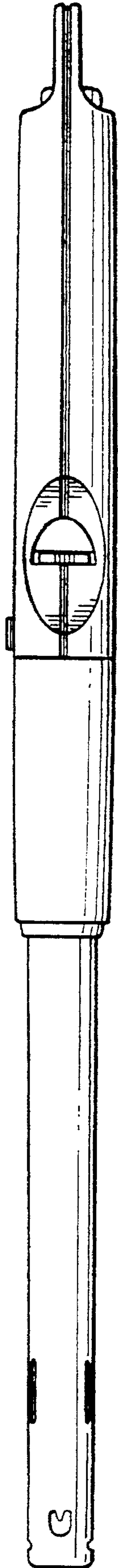


FIG. 5

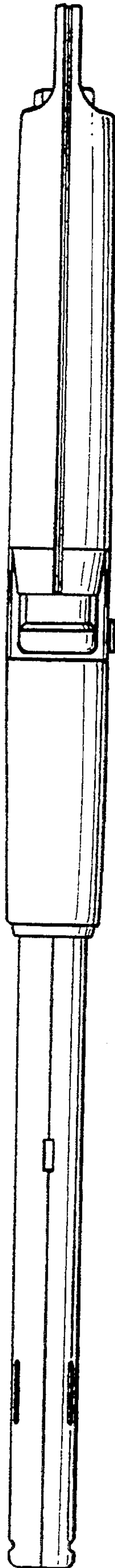


FIG. 6

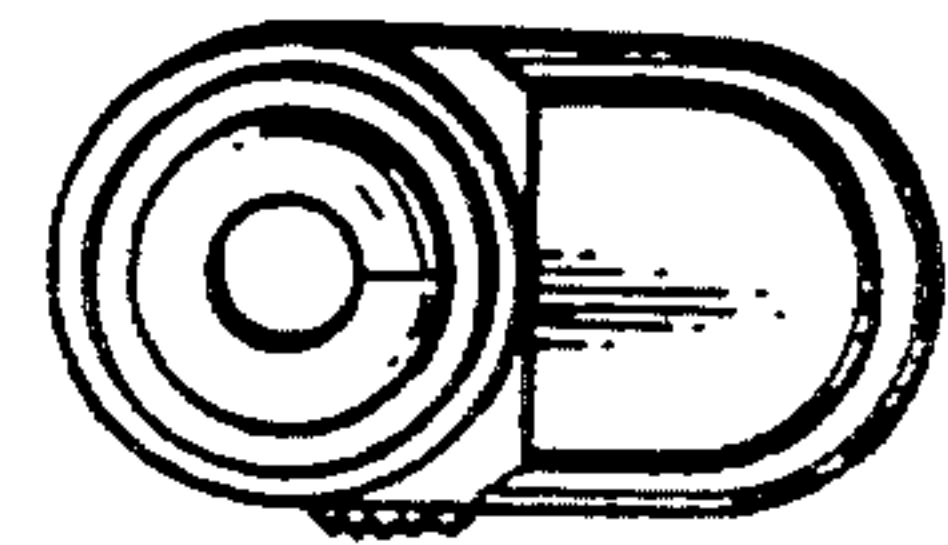
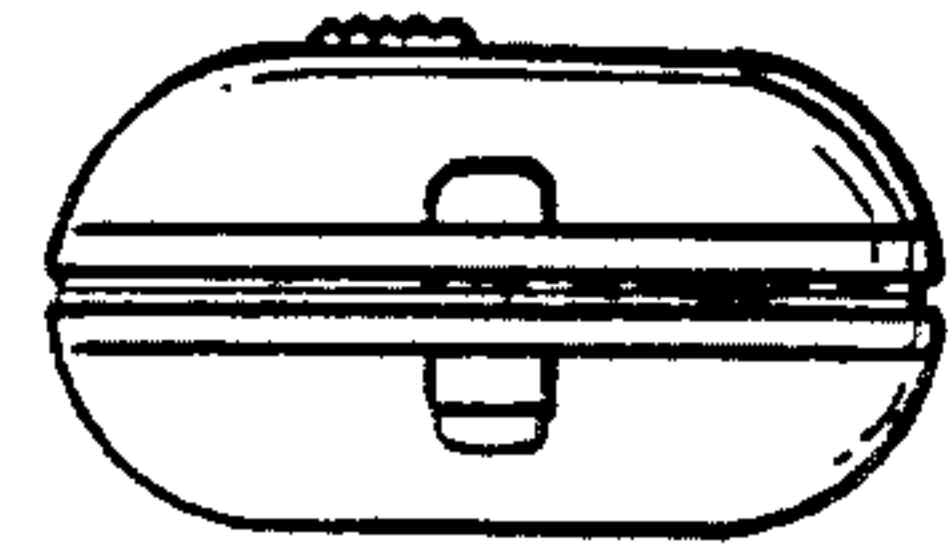


FIG. 7



UNITED STATES PATENT AND TRADEMARK OFFICE
CERTIFICATE OF CORRECTION

PATENT NO. : Des. 360,557
DATED : July 25, 1995
INVENTOR(S) : Ono et al.

It is certified that error appears in the above-identified patent and that said Letters Patent is hereby corrected as shown below:

On the title page: Item

--[30] Foreign Application Priority Data
Apr. 30, 1993 [JP] Japan..... 5-13075--.

Item [56] delete fourth line from the bottom.

Signed and Sealed this
Twenty-first Day of November, 1995

Attest:



BRUCE LEHMAN

Attesting Officer

Commissioner of Patents and Trademarks