



US00D360556S

United States Patent [19]

[11] Patent Number: **Des. 360,556**

DeCoster

[45] Date of Patent: **** Jul. 25, 1995**

[54] **COVERED PITCHER**
 [75] Inventor: **Pieter K. J. DeCoster**, Aalst, Belgium
 [73] Assignee: **Dart Industries Inc.**, Deerfield, Ill.
 [**] Term: **14 Years**
 [21] Appl. No.: **17,582**
 [22] Filed: **Jan. 14, 1994**
 [52] U.S. Cl. **D7/318; D7/317**
 [58] Field of Search **D7/300, 312, 316, 317, D7/318, 319, 321, 322, 608; 222/465.1, 475.1; 366/314, 205; D23/209**

D. 312,744 12/1990 Jorgensen .
 D. 321,623 11/1991 Sun .
 D. 332,006 12/1991 Zimmermann .
 D. 326,791 6/1992 Rixen .
 D. 333,587 3/1993 Ancona et al. D7/318 X
 2,803,375 4/1954 Meshberg .
 3,700,146 10/1972 Cousins et al. .

OTHER PUBLICATIONS

Mix-N-Stor Pitcher Tupperware Catalog p. 31.
 Quintessence Pitcher Goldschmiede Zeiting Oct. 1988 p. 44.

Primary Examiner—Alan P. Douglas
Assistant Examiner—M. N. Pandozzi
Attorney, Agent, or Firm—John A. Doninger

[56] References Cited

U.S. PATENT DOCUMENTS

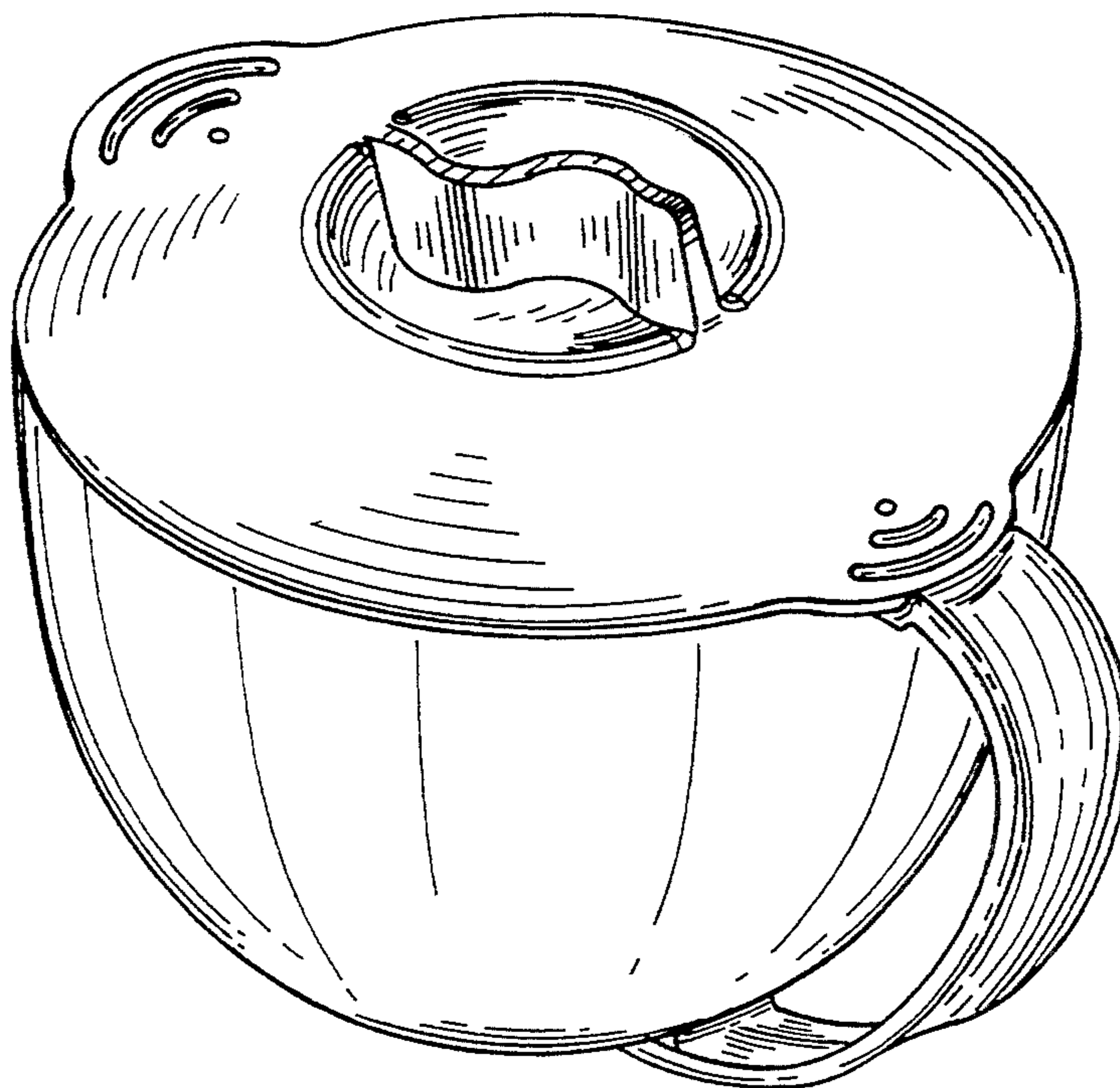
D. 95,885 6/1935 Wood D7/321
 D. 110,170 6/1938 Brindley D7/312
 D. 127,567 7/1941 Gardner .
 D. 153,358 4/1949 Iredale D7/321
 D. 160,346 10/1950 Silcox D7/319
 D. 161,603 7/1949 Wright .
 D. 163,849 7/1951 Burroughs D7/319
 D. 192,969 6/1962 Vollmann .
 D. 194,622 2/1963 Swett D7/317
 D. 198,806 8/1964 Chiapetta et al. .
 D. 199,917 12/1964 Dann, Jr. et al. .
 D. 200,487 3/1965 Dann, Jr. et al. .
 D. 219,054 10/1970 Gulotta D7/319
 D. 225,365 12/1972 Beckman .
 D. 236,409 8/1975 Cyren .
 D. 247,016 1/1978 Breger D7/317
 D. 283,002 3/1986 Daenen D7/319
 D. 293,761 1/1988 St. John Rumble D7/319 X
 D. 311,475 10/1990 Durand .
 D. 311,839 11/1990 Hutter, III et al. .

[57] CLAIM

The ornamental design for a covered pitcher, as shown and described.

DESCRIPTION

FIG. 1 is a top and front perspective view of a covered pitcher showing my new design;
 FIG. 2 is a top and front perspective view thereof with the cover exploded;
 FIG. 3 is a top plan view thereof;
 FIG. 4 is a bottom plan view thereof;
 FIG. 5 is a front elevational view thereof;
 FIG. 6 is a rear elevational view thereof;
 FIG. 7 is a right side elevational view thereof;
 FIG. 8 is a left side elevational view thereof;
 FIG. 9 is a cross-section thereof on line 9—9 in FIG. 3; and,
 FIG. 10 is a cross-section thereof on line 10—10 in FIG. 3.



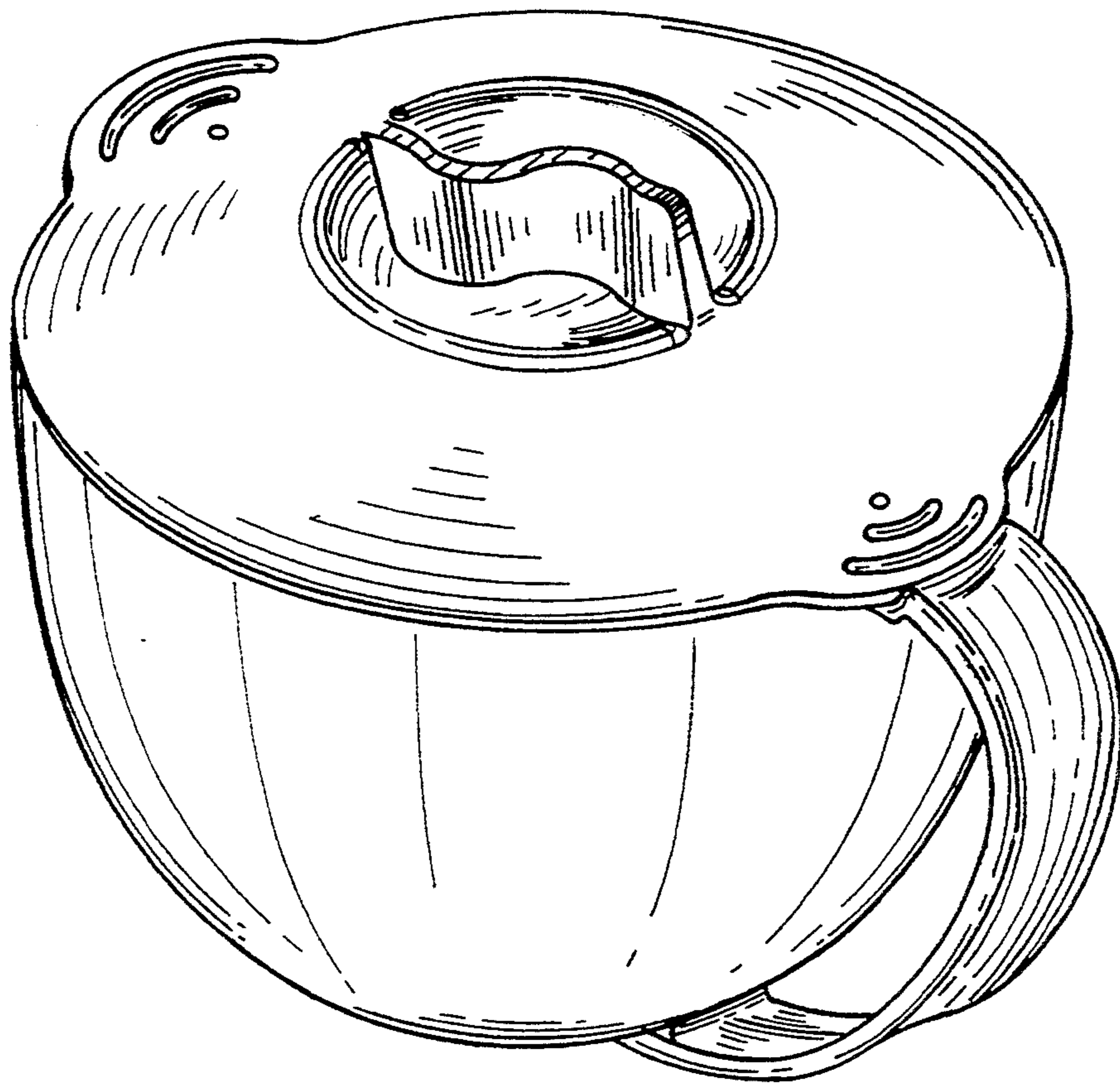


FIG. 1

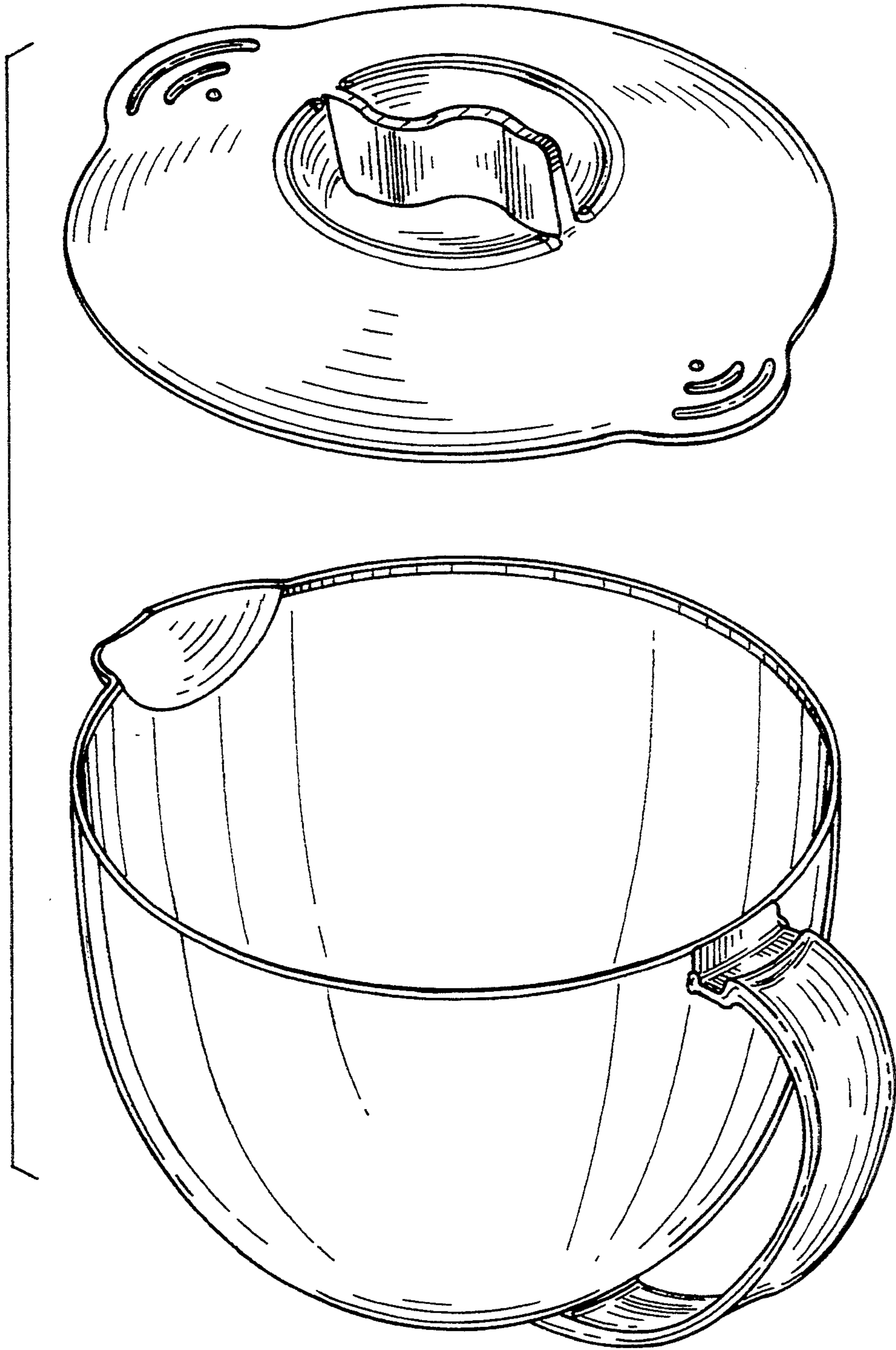


FIG. 2

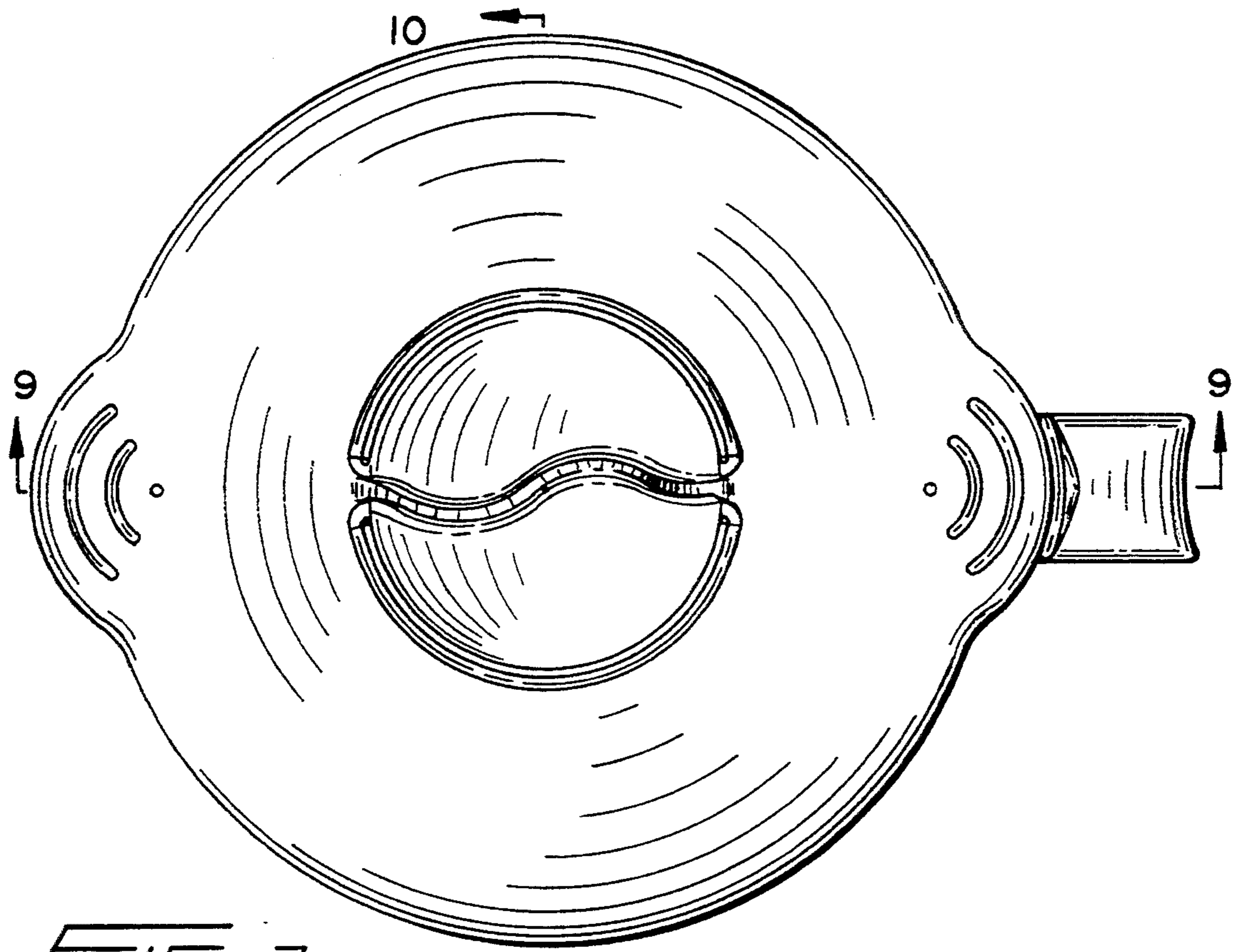


FIG. 3

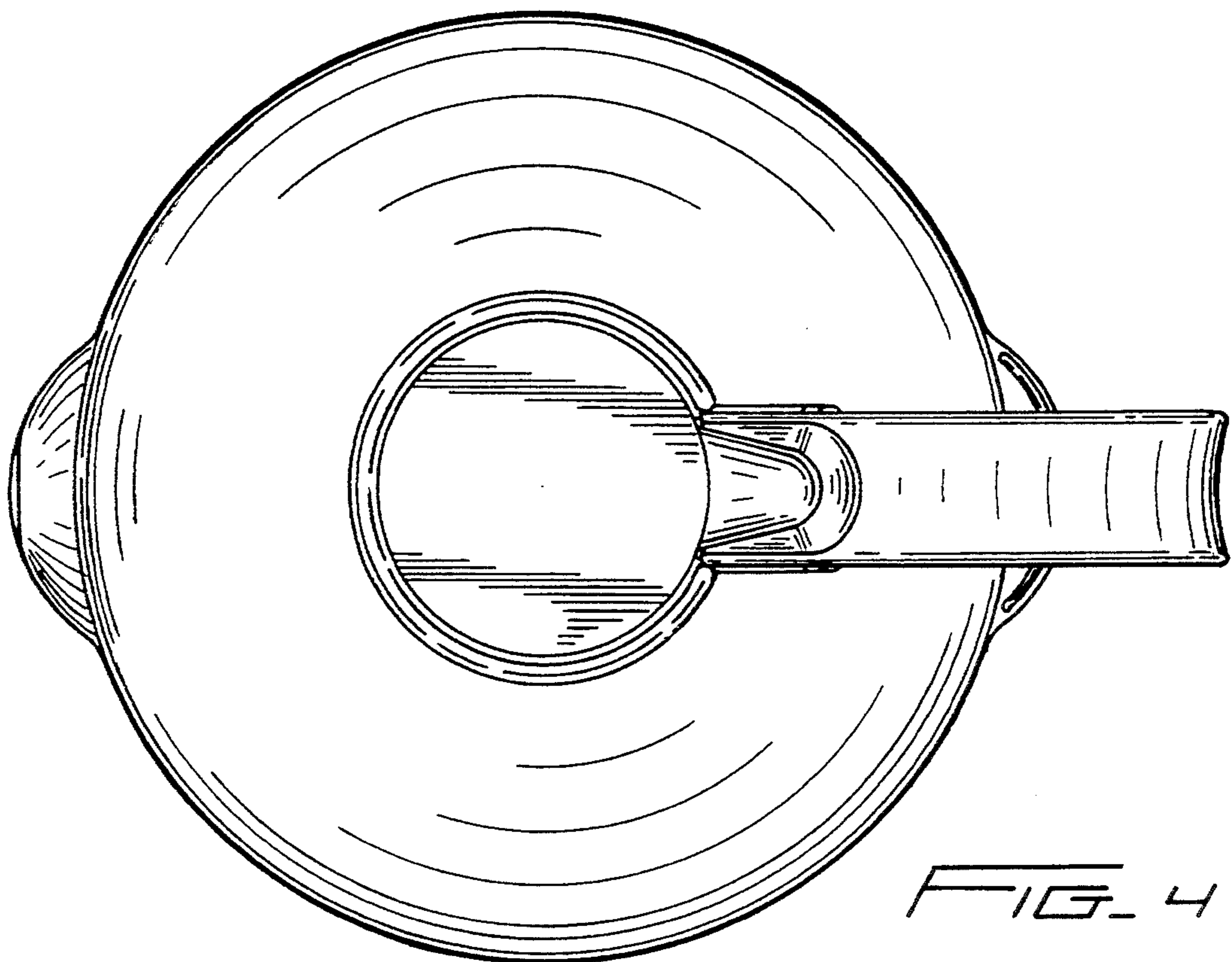


FIG. 4

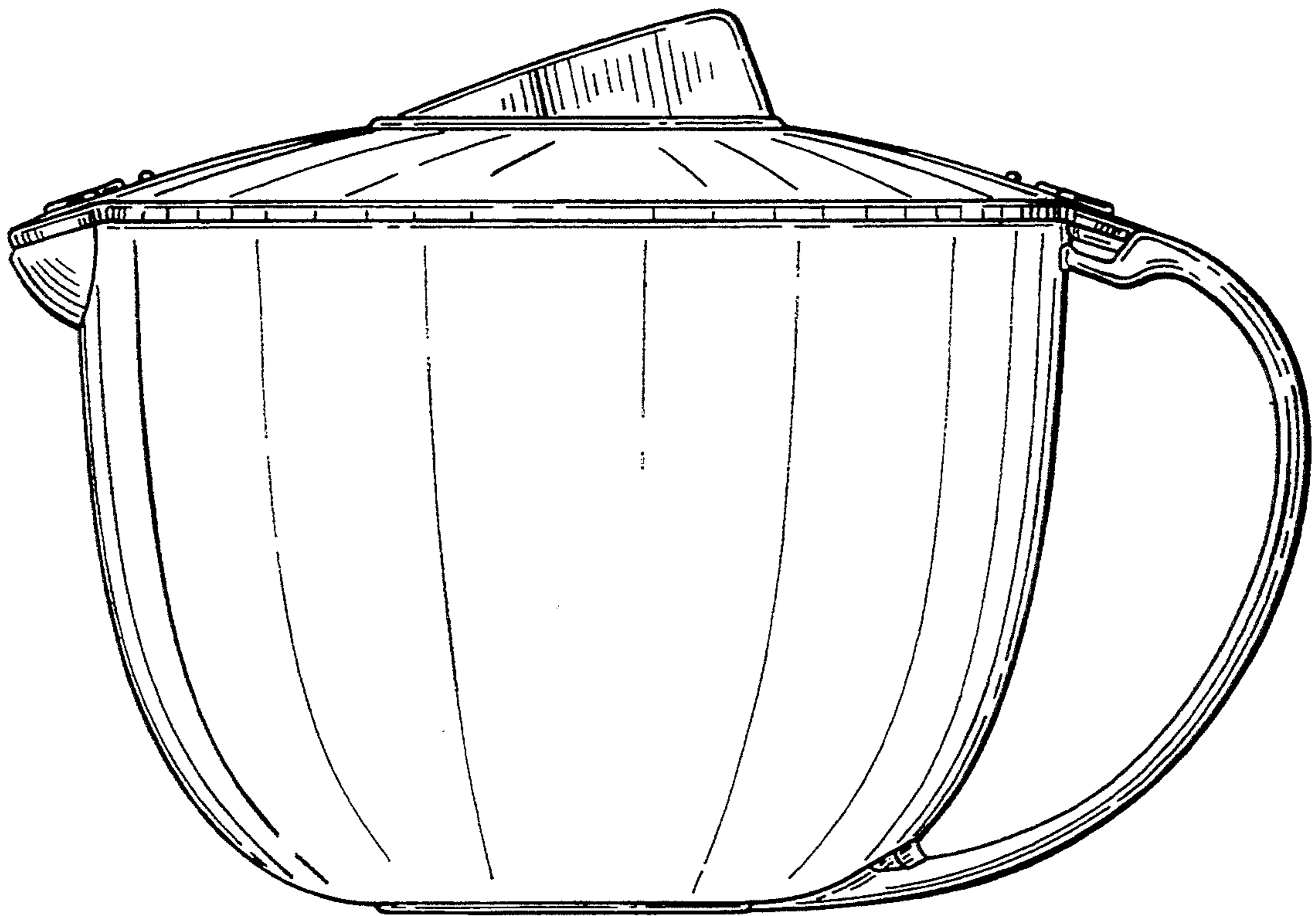


FIG. 5

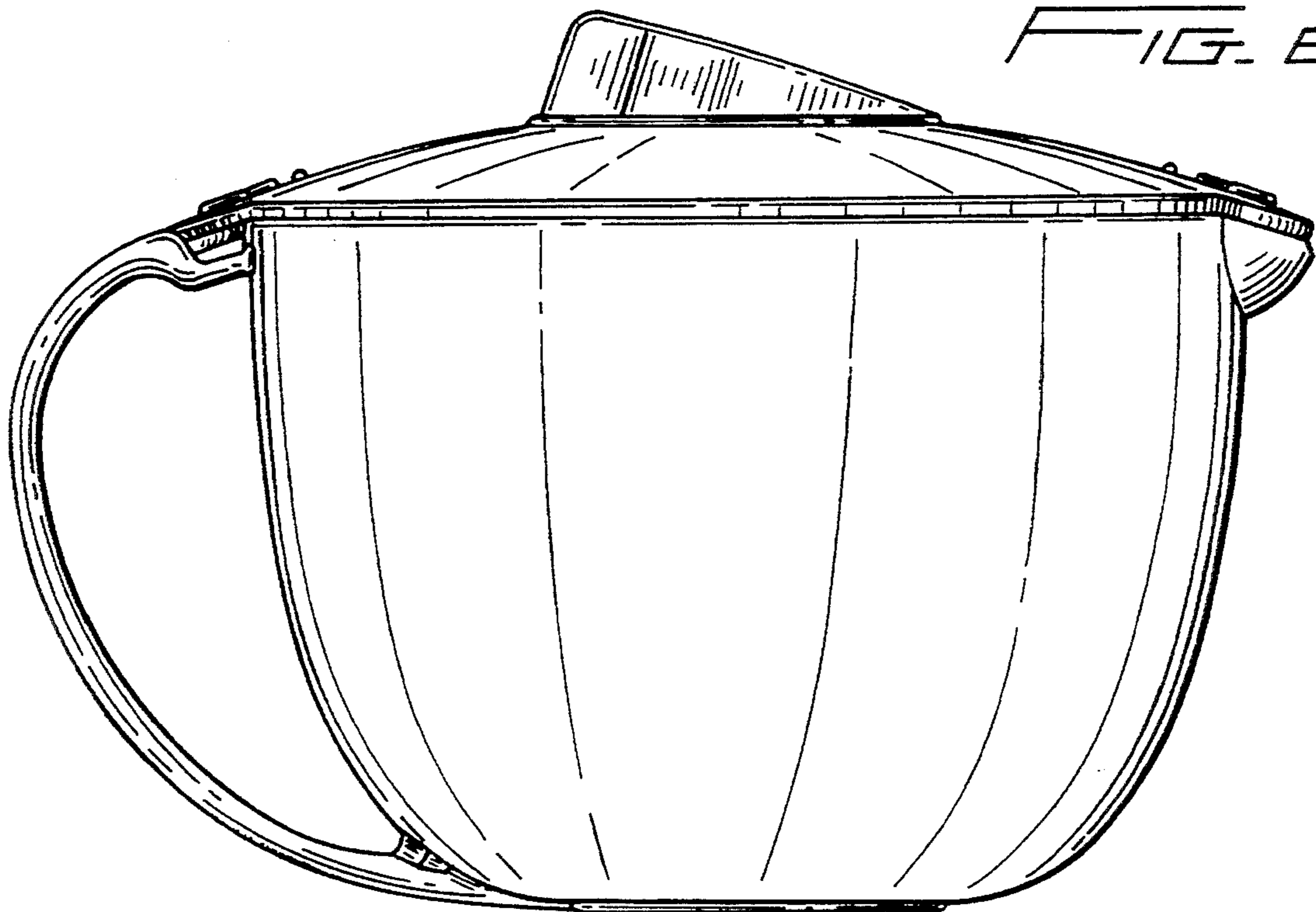


FIG. 6

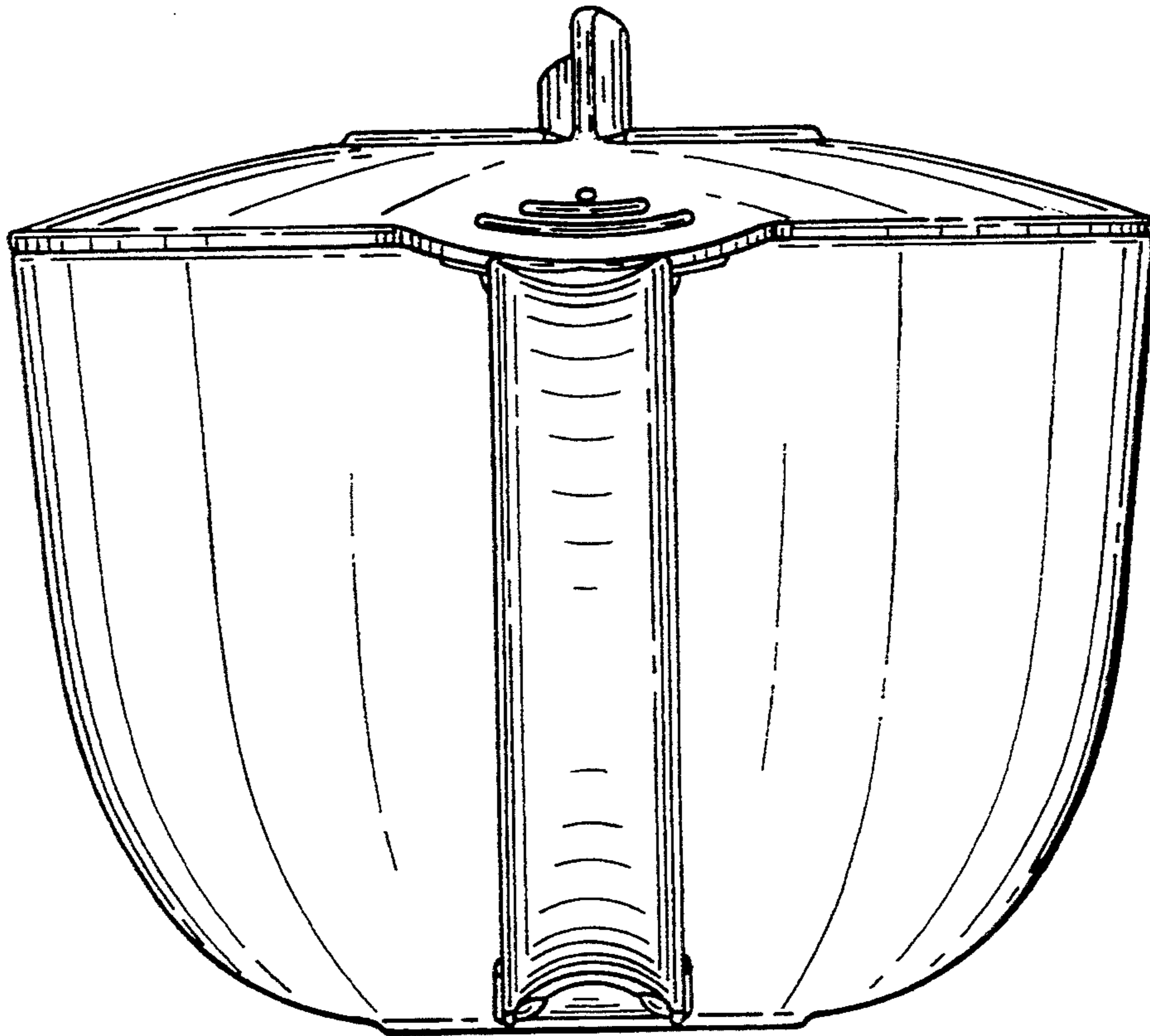


FIG. 7

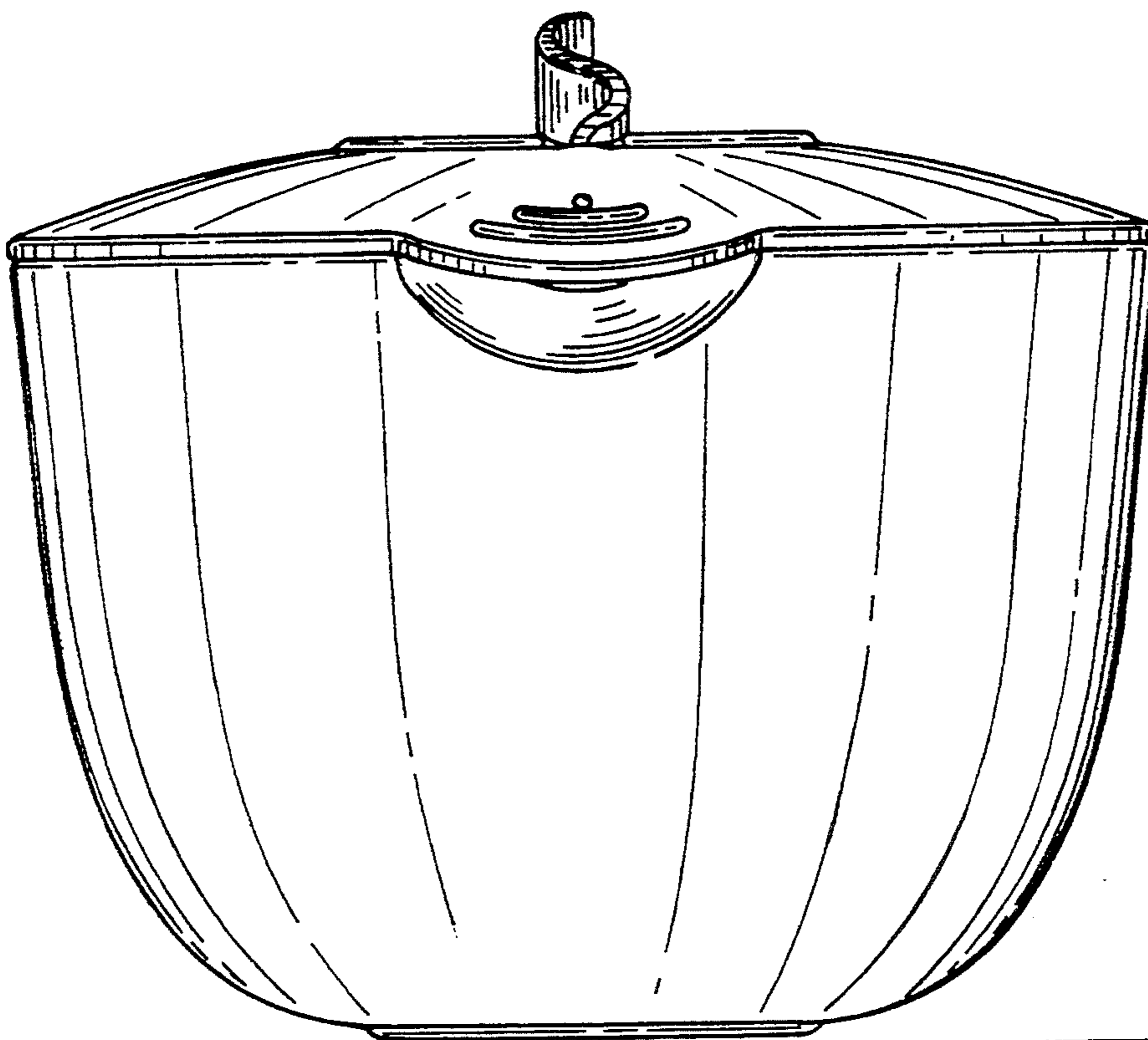


FIG. 8

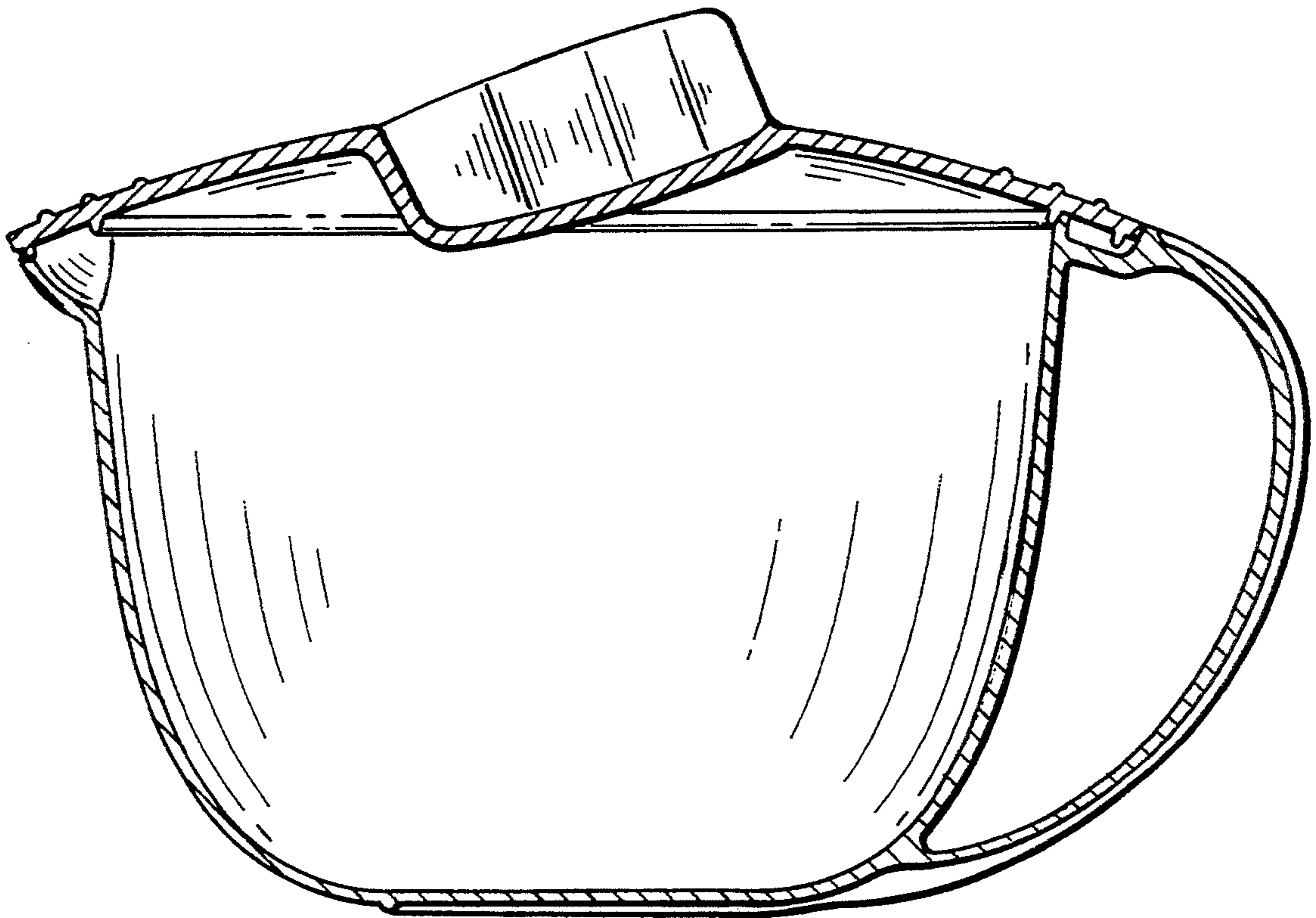


FIG. 9

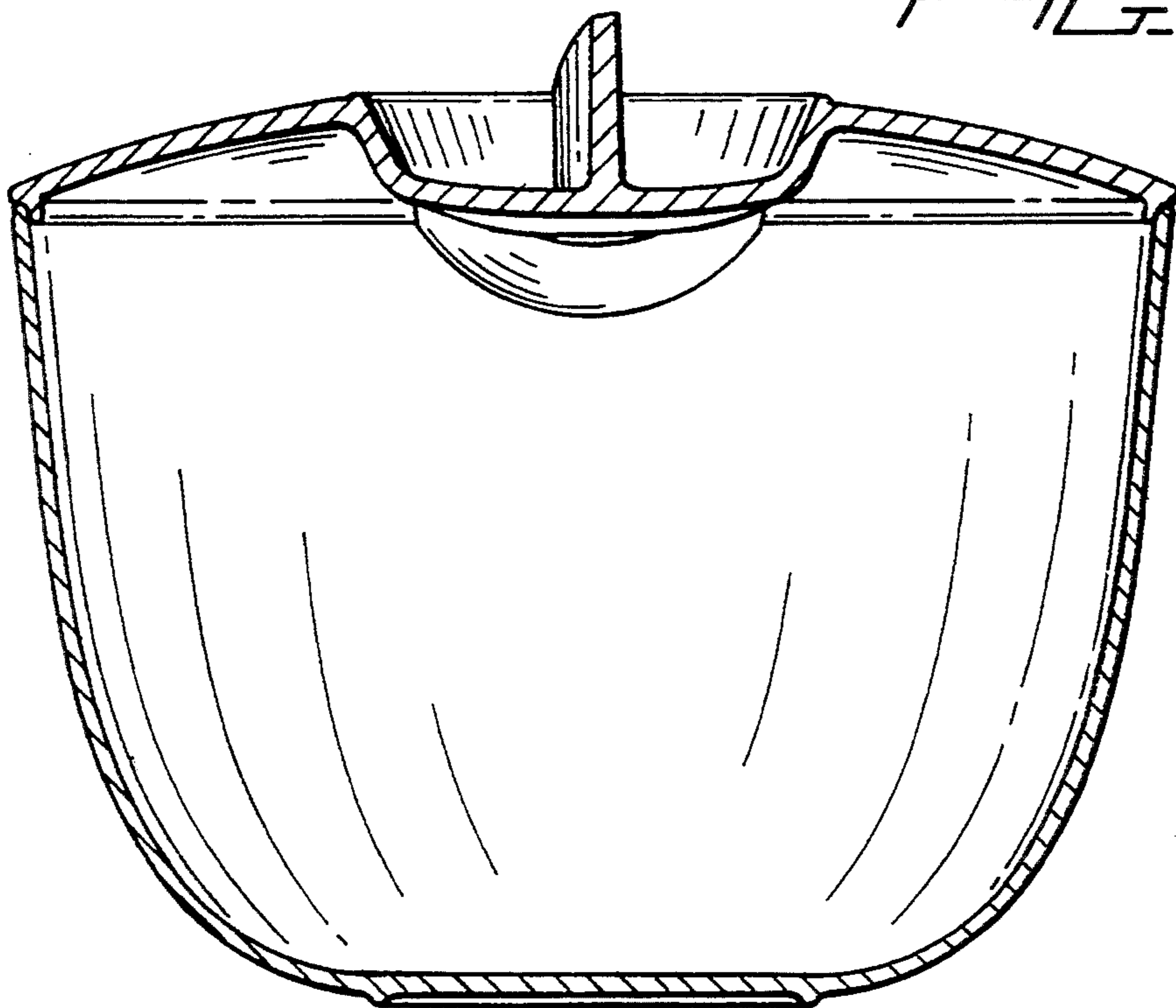


FIG. 10