



US00D360555S

United States Patent [19]

[11] **Patent Number: Des. 360,555**

Gil De Miguel

[45] **Date of Patent: ** Jul. 25, 1995**

[54] **COFFEE-MACHINE HOUSING**

[75] **Inventor: Jose M. Gil De Miguel, de Llobregat, Spain**

[73] **Assignee: Futurmat Comercial de Hosteleria, S.A., Barcelone, Spain**

[**] **Term: 14 Years**

[21] **Appl. No.: 10,744**

[22] **Filed: Jun. 16, 1993**

[30] **Foreign Application Priority Data**

Dec. 16, 1992 [ES] Spain 129.052

[52] **U.S. Cl. D7/309; D7/310; D7/311**

[58] **Field of Search D7/300, 213, 304, 305, D7/306, 307, 308, 309, 310, 311, 312; 99/279**

[56] **References Cited**

U.S. PATENT DOCUMENTS

D. 304,408	11/1989	Beeren	D7/311
D. 309,842	8/1990	Frech	D7/309 X
D. 323,949	2/1992	Kahlcke	D7/309
D. 324,621	3/1992	Haslacher	D7/309
D. 336,206	1/1993	Littmann	D7/309
D. 337,475	7/1993	Seiffert	D7/309
D. 339,499	9/1993	Seiffert	D7/311 X
D. 344,656	3/1994	De Felip	D7/311 X
4,644,856	2/1987	Borgmann	D7/309 X

OTHER PUBLICATIONS

Espresso Machine, *Schöner Wohnen*, Oct. 1984 p. 114.
Coffeemaker by Salton, W. Bell and Co., 1987, p. 297.
Espresso Machine, *Schöner Wohnen* Jul. 1988, p. 67 (far right).

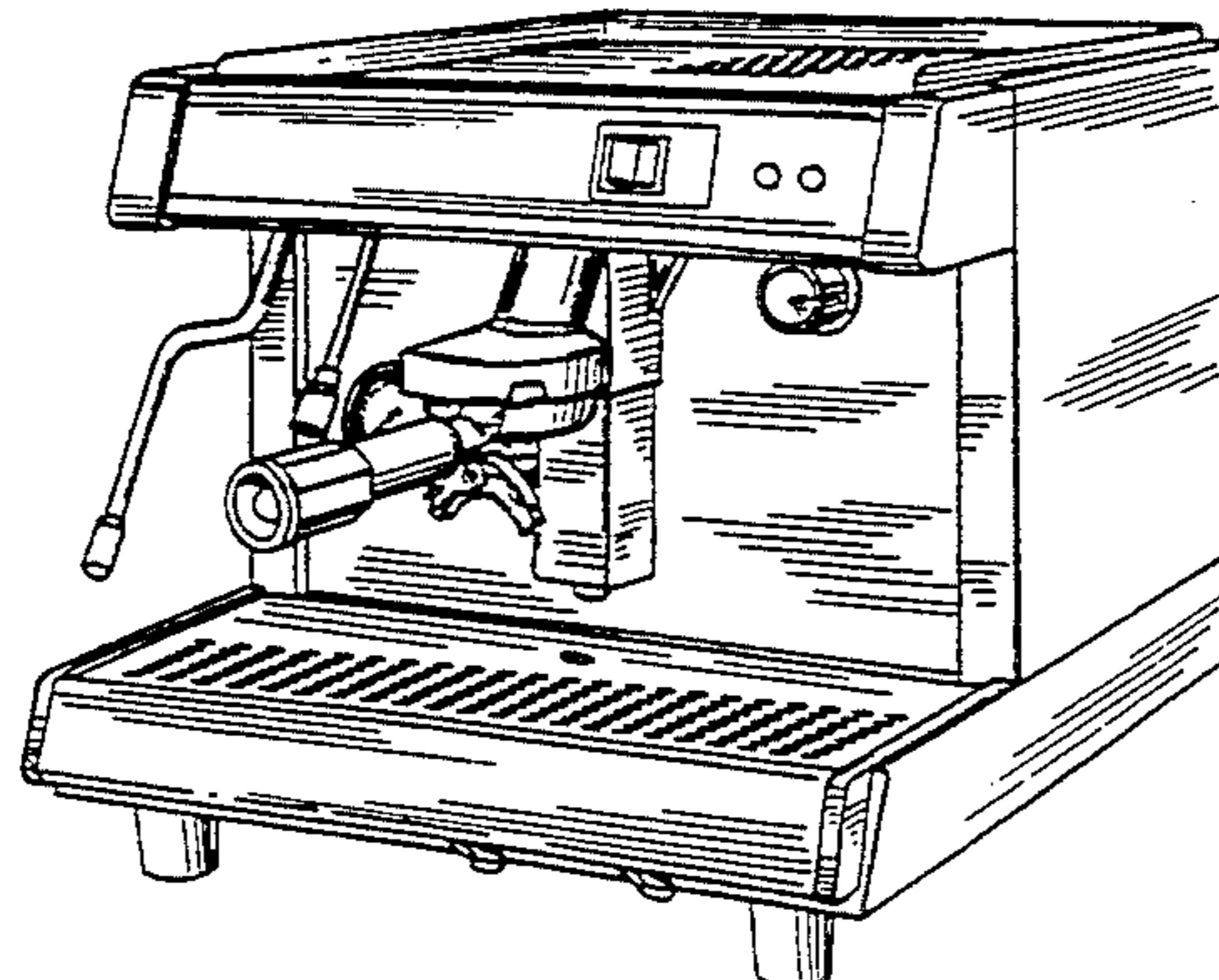
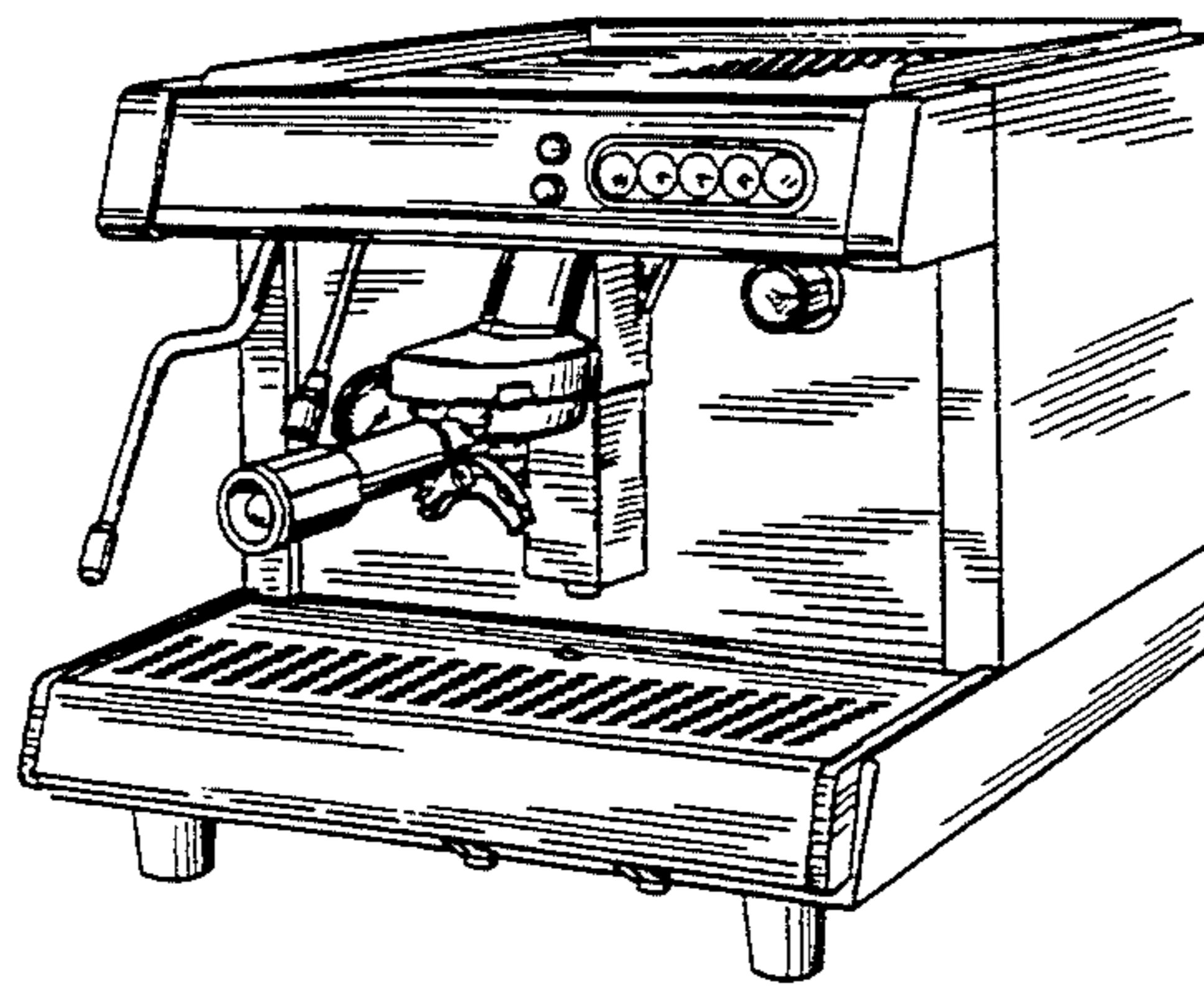
Primary Examiner—Alan P. Douglas
Assistant Examiner—M. N. Pandozzi
Attorney, Agent, or Firm—Jacobson, Price, Holman & Stern

[57] **CLAIM**

The ornamental design for a coffee-machine housing, as shown and described.

DESCRIPTION

FIG. 1 is a front perspective view showing my new design for a coffee-machine housing;
FIG. 2 is a front view thereof;
FIG. 3 is a top plan view thereof;
FIG. 4 is a right side view thereof;
FIG. 5 is a left side view thereof;
FIG. 6 is a bottom plan view thereof;
FIG. 7 is a rear view thereof;
FIG. 8 is a front perspective view of an alternate embodiment;
FIG. 9 is a front view thereof;
FIG. 10 is a top plan view thereof;
FIG. 11 is a right side view thereof;
FIG. 12 is a left side view thereof;
FIG. 13 is a bottom plan view thereof; and,
FIG. 14 is a rear view thereof.



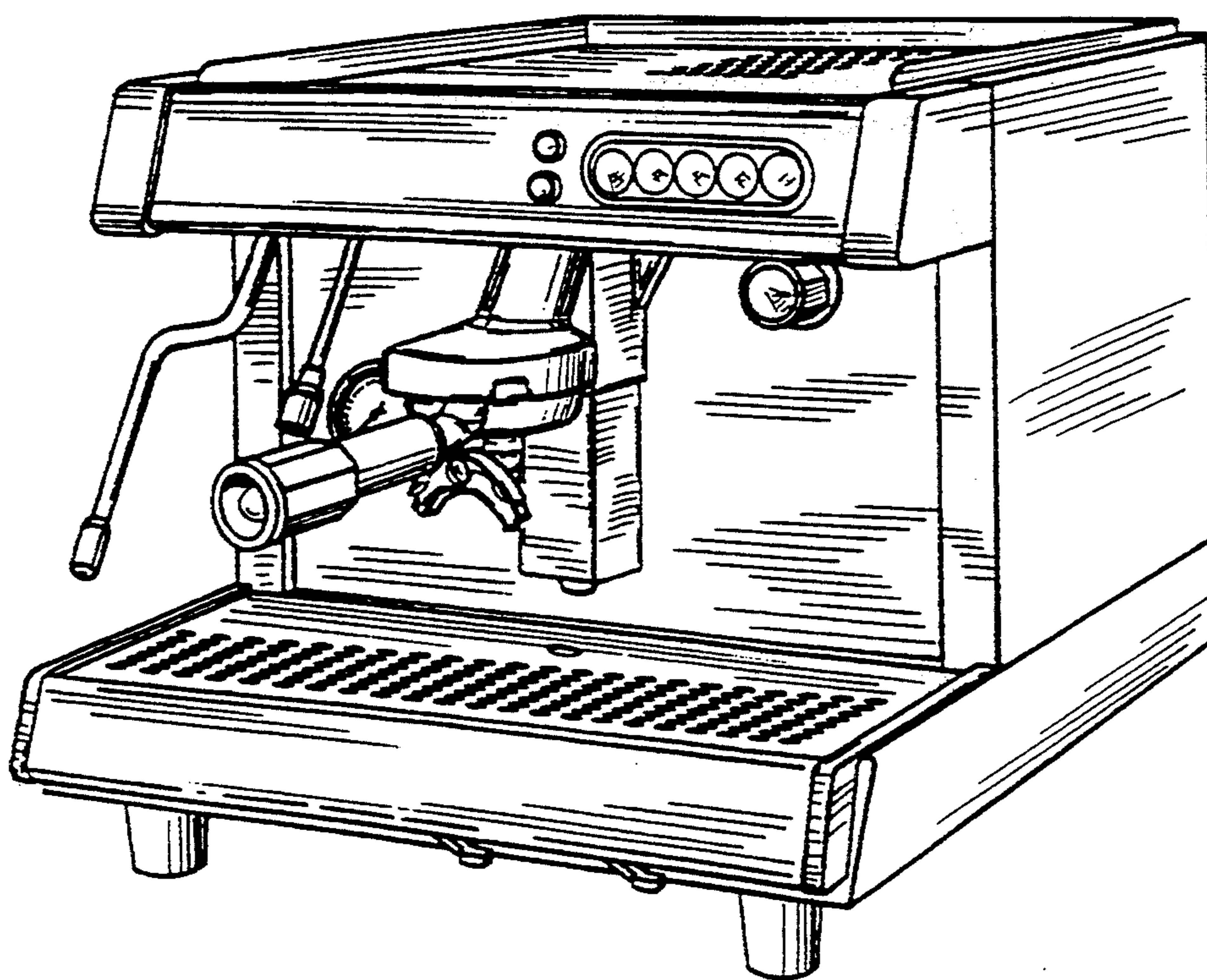


FIG. 1

FIG. 2

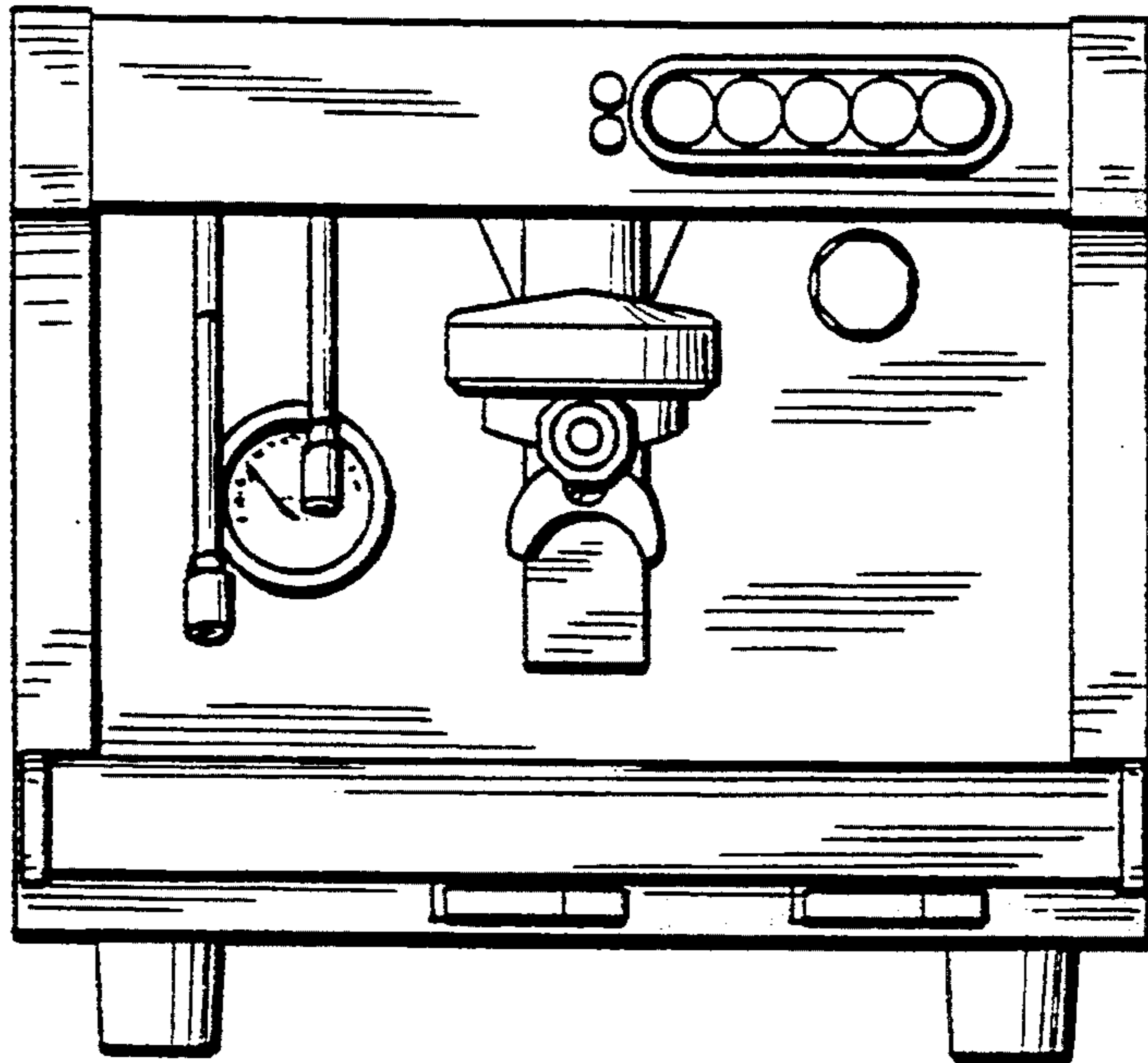


FIG. 3

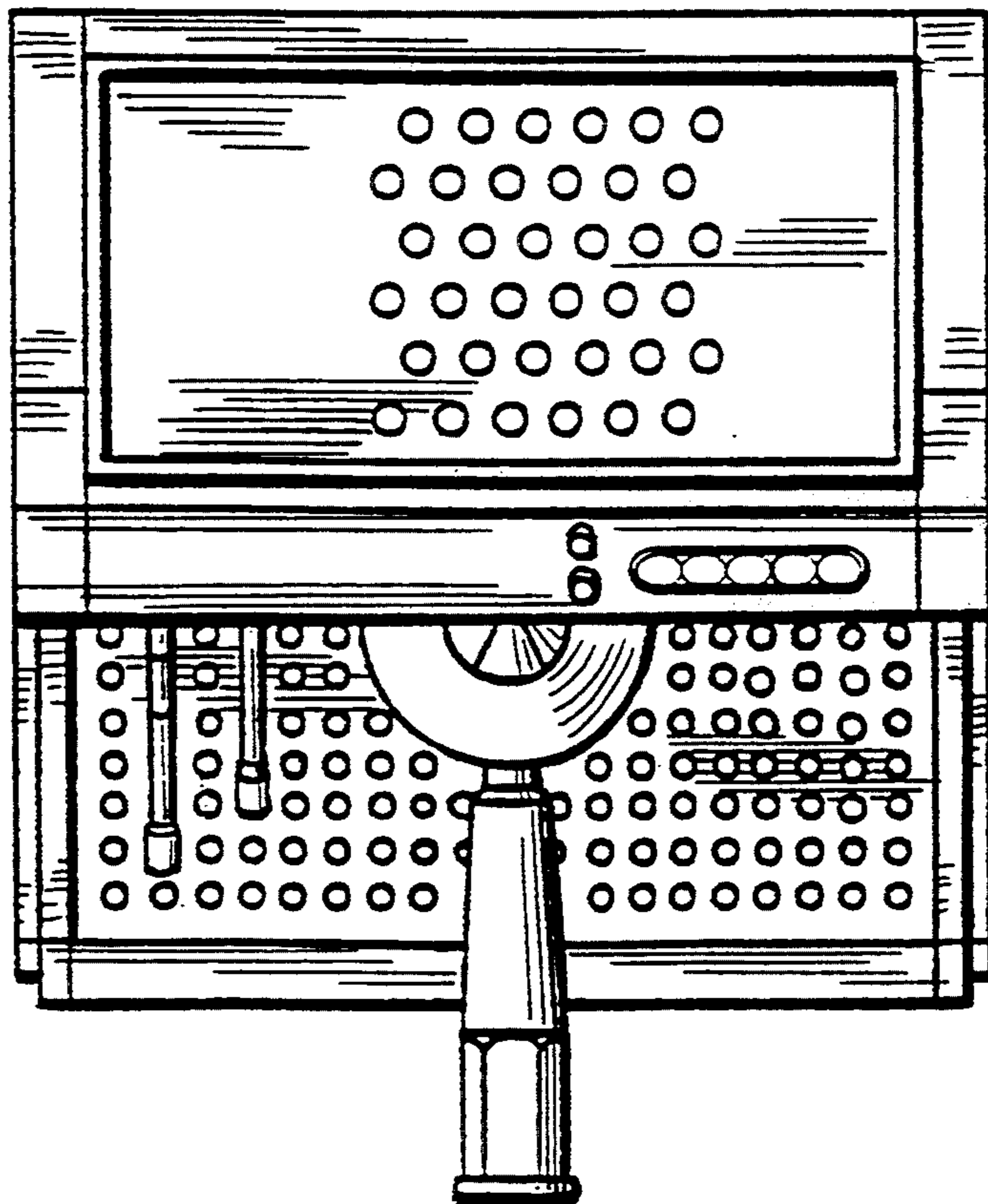


FIG. 4

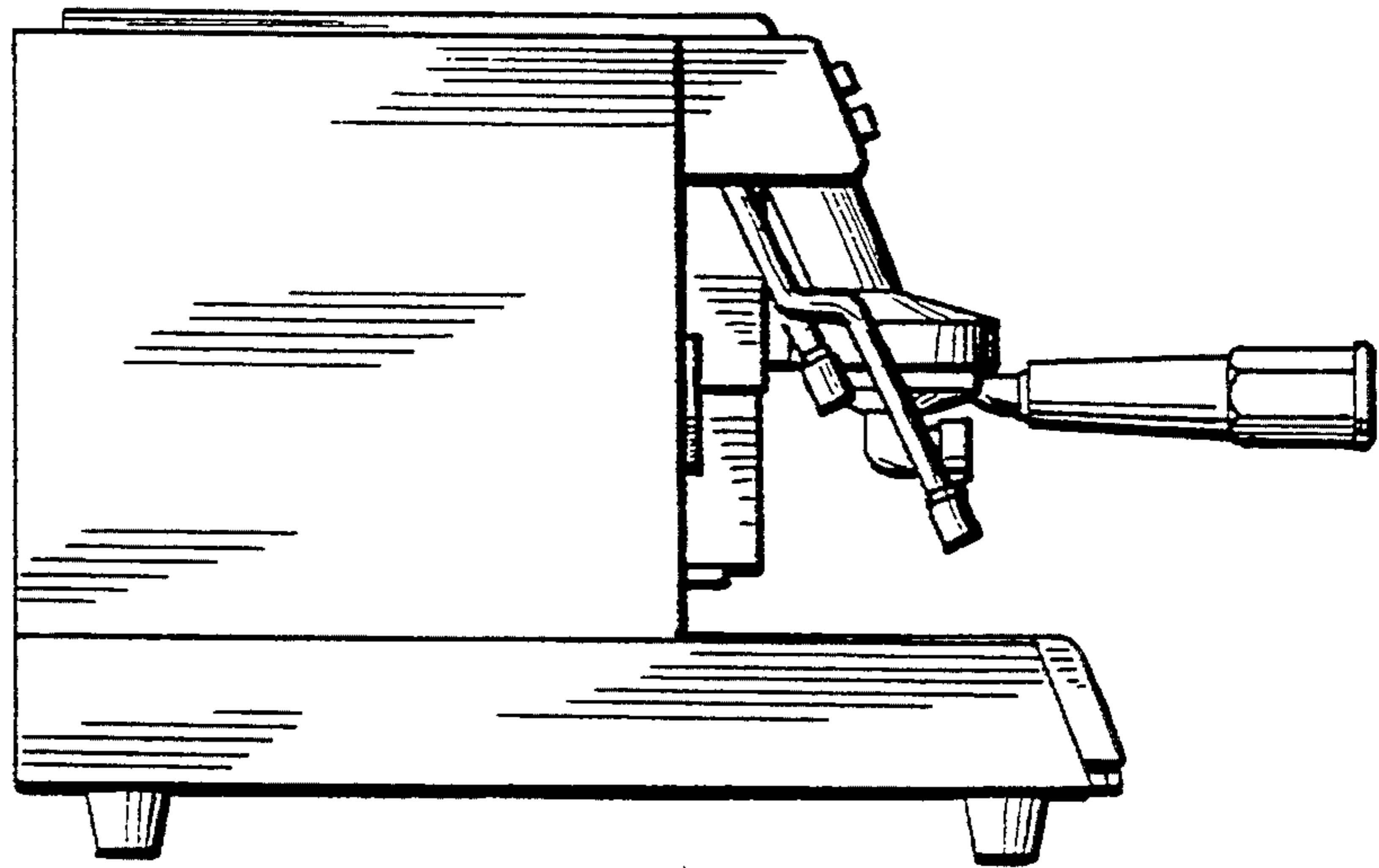


FIG. 5

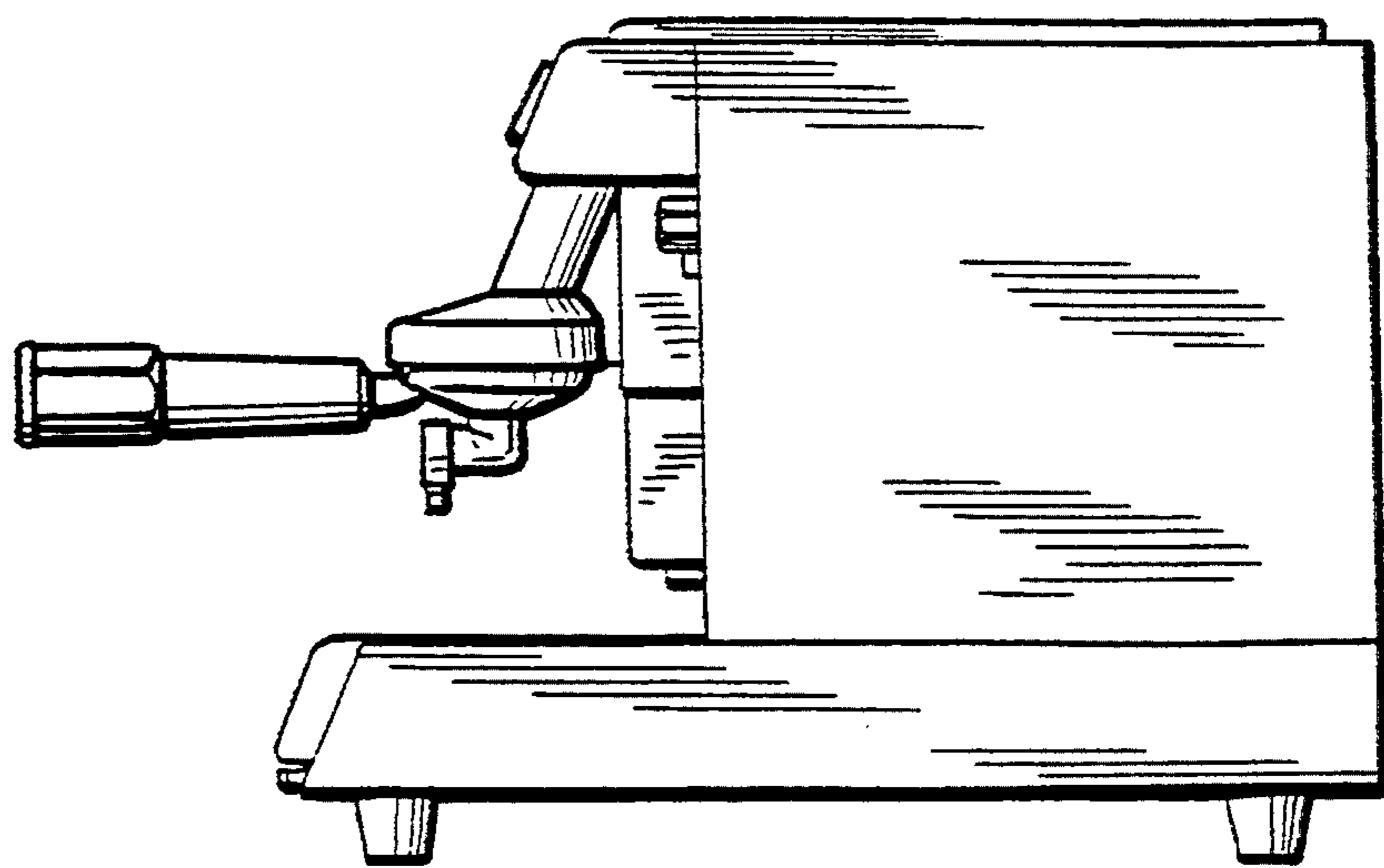


FIG. 6

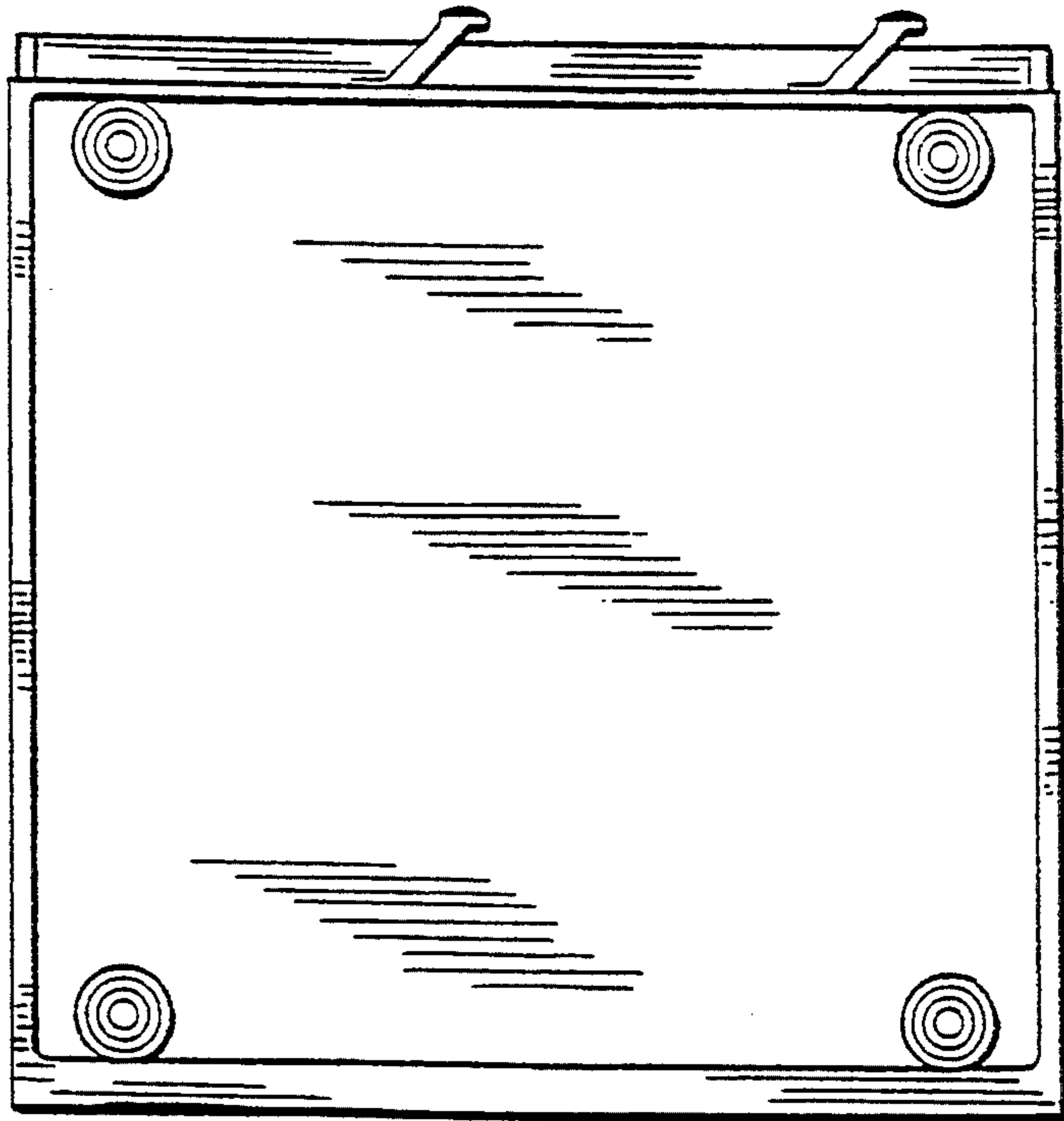
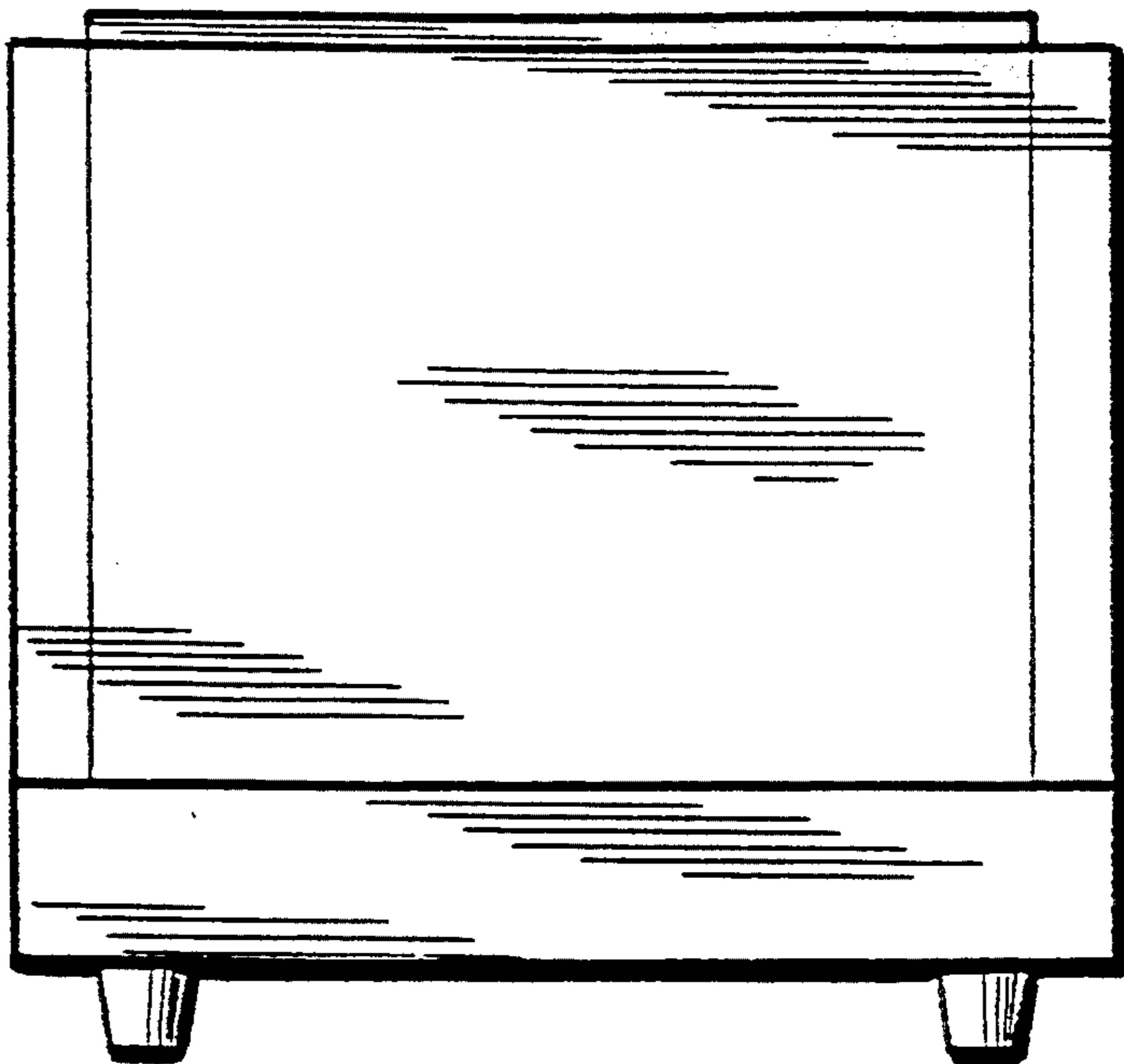


FIG. 7



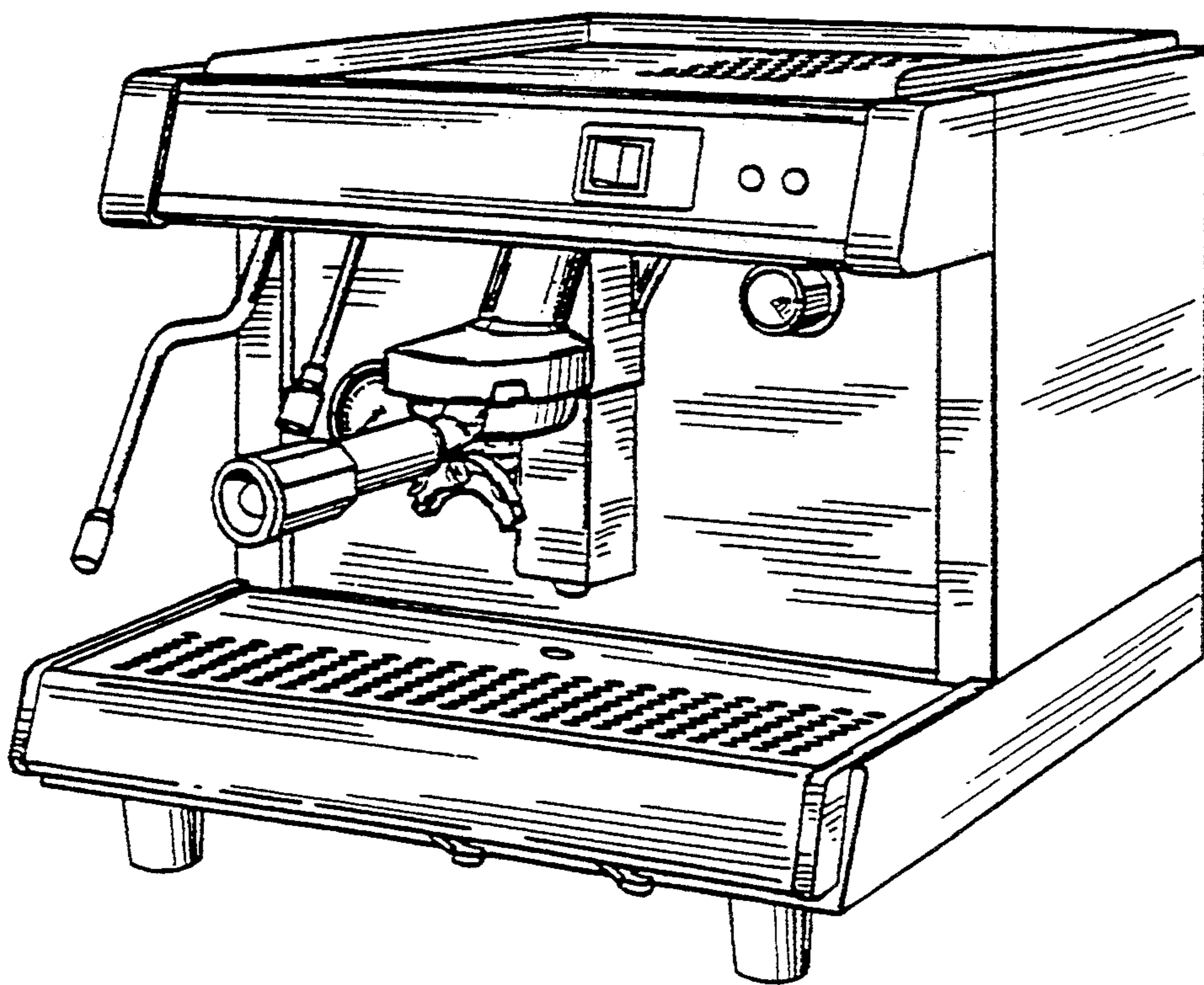


FIG. 8

FIG. 9

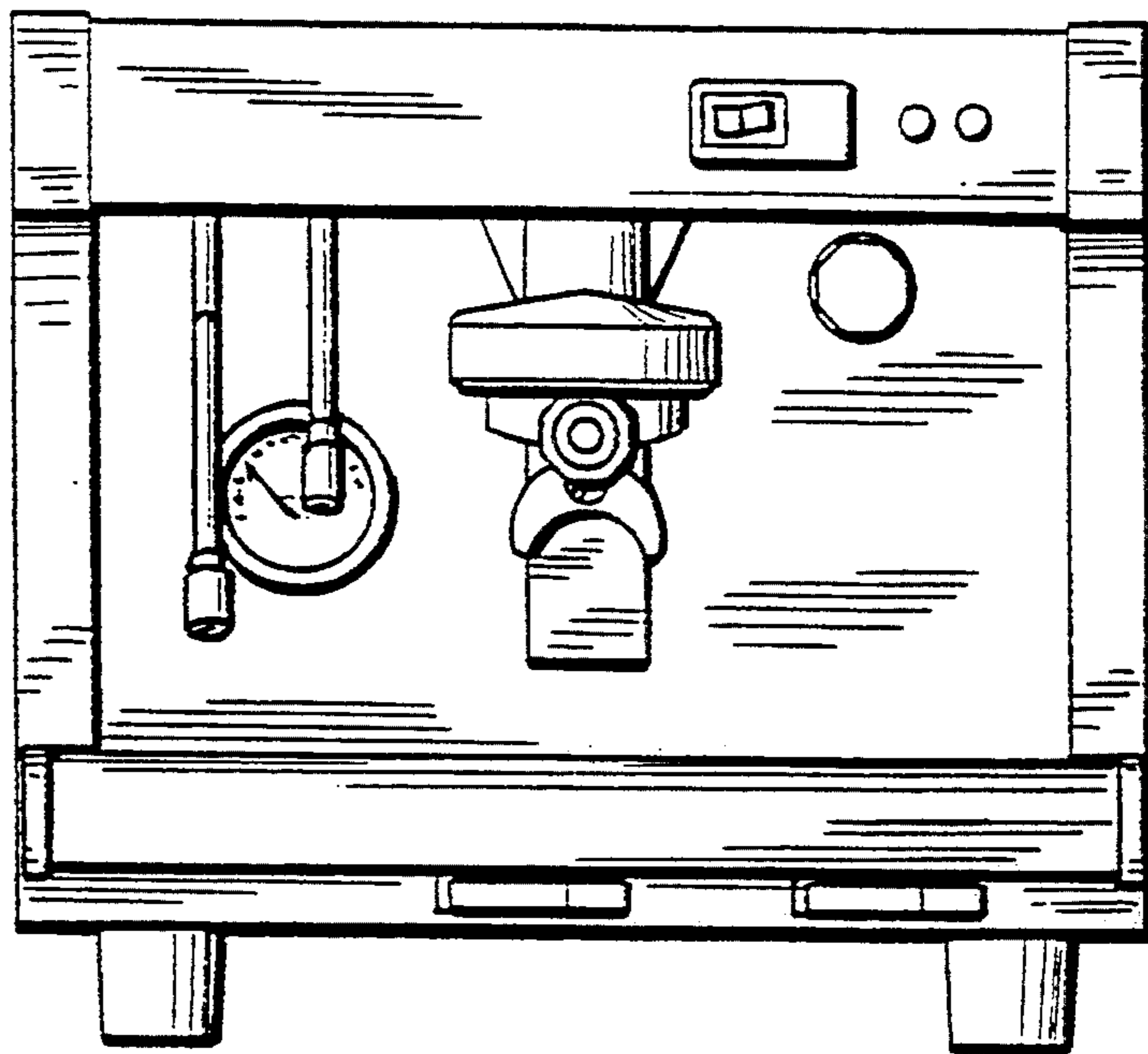


FIG. 10

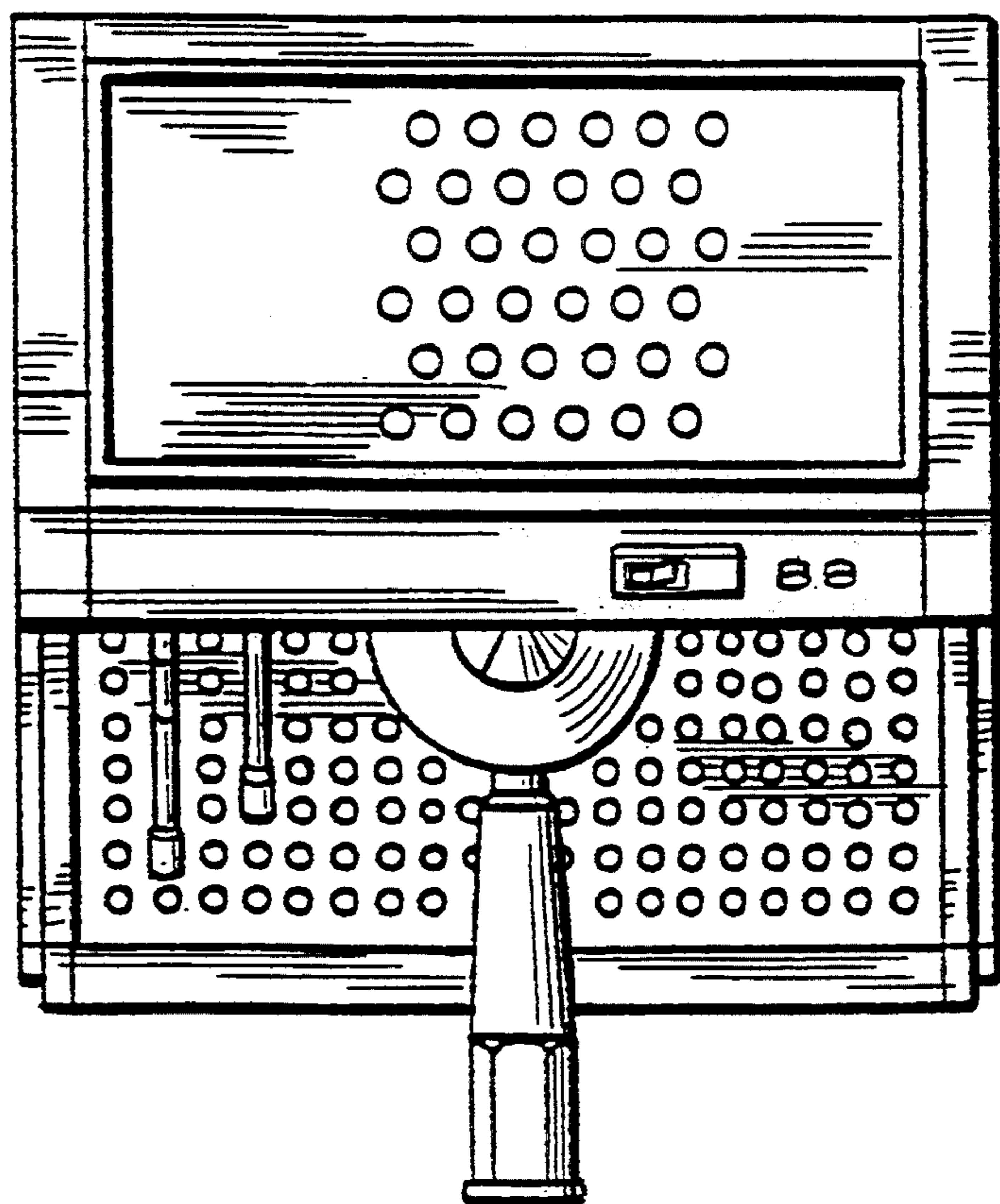


FIG. 11

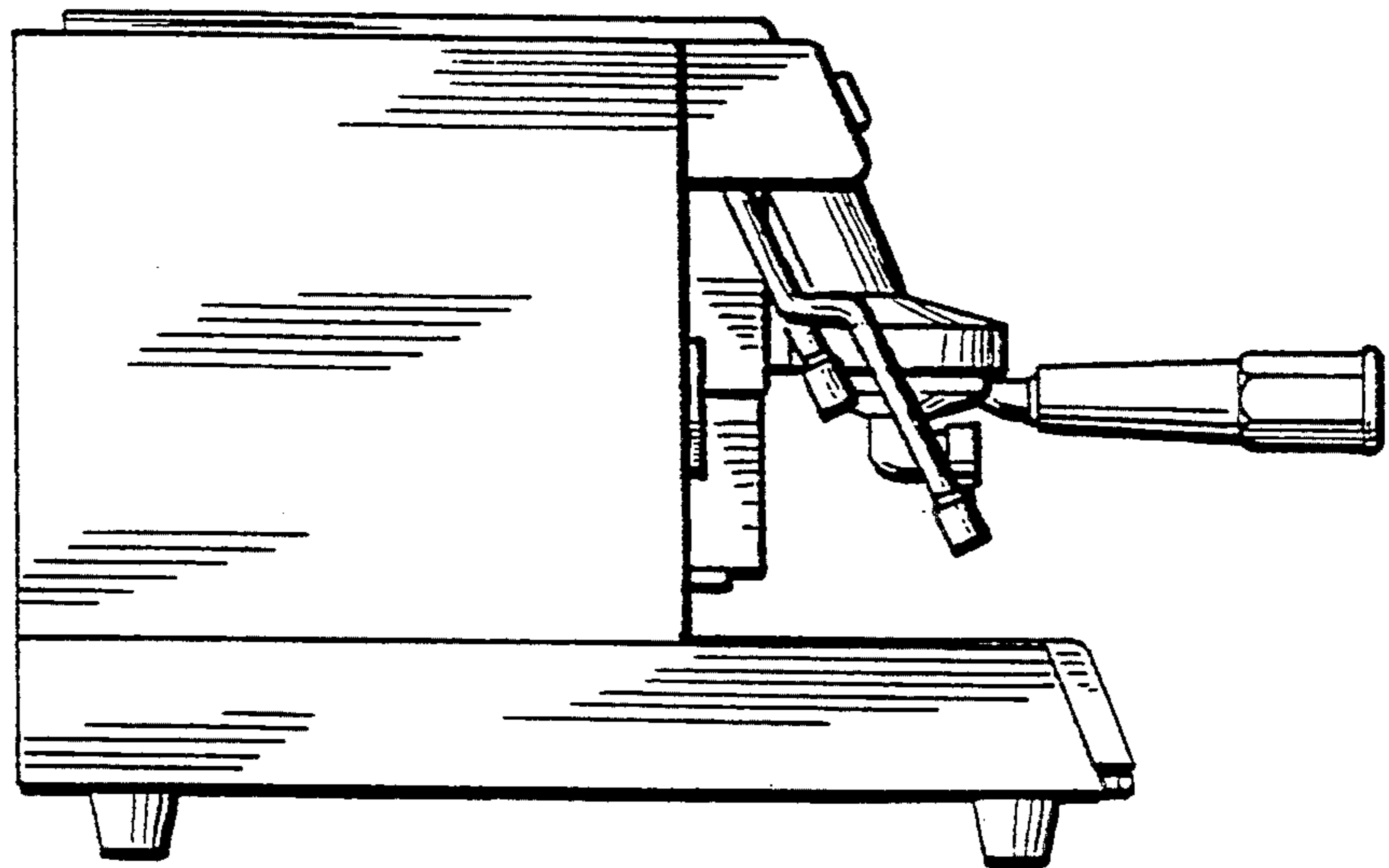


FIG. 12

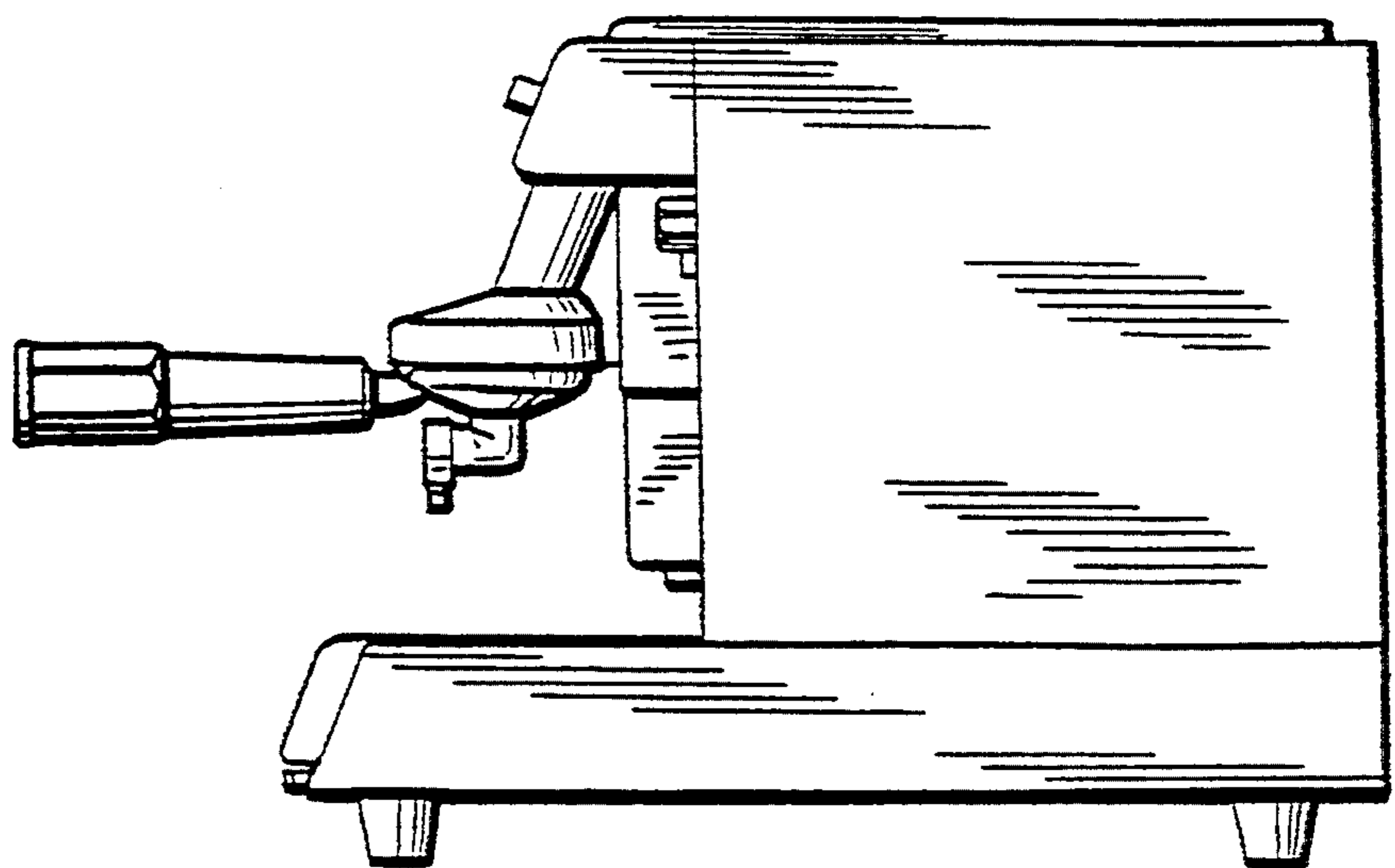


FIG. 13

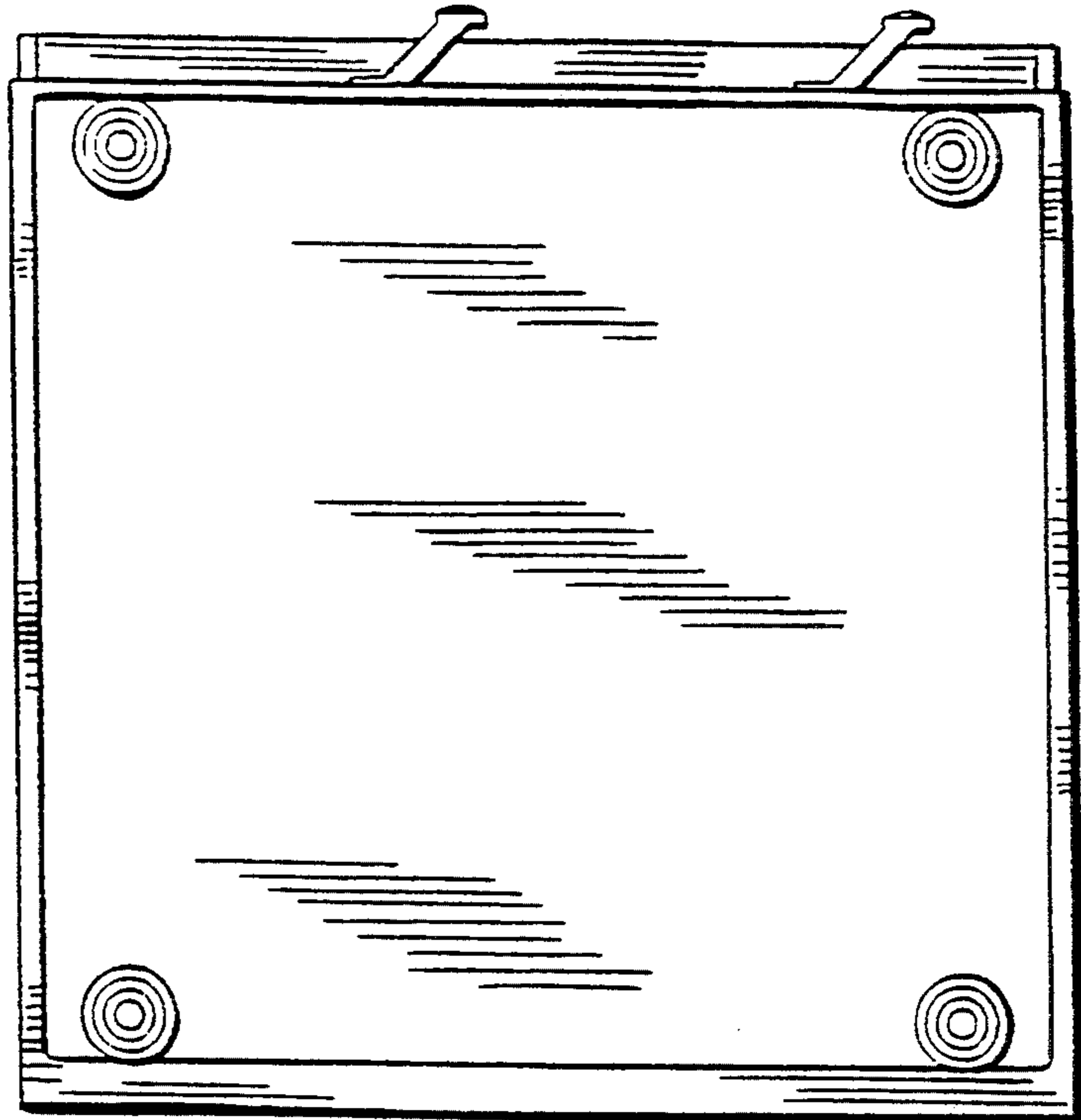


FIG. 14

