



US00D360550S

United States Patent [19]

[11] Patent Number: **Des. 360,550**

Ford

[45] Date of Patent: **** Jul. 25, 1995**

[54] FURNITURE SUPPORT BASE

[75] Inventor: **Wayne A. Ford**, Wonga Park

[73] Assignee: **C. A. Ford Pty. Ltd.**, Australia

[**] Term: **14 Years**

[21] Appl. No.: **607,084**

[22] Filed: **Oct. 31, 1990**

[30] Foreign Application Priority Data

May 29, 1990 [AU]	Australia	1667/90
May 29, 1990 [AU]	Australia	1668/90

[52] U.S. Cl. **D6/498**

[58] Field of Search **D6/480, 482, 484, 486, D6/488, 487, 495-499; 248/188.7, 188.1**

[56] References Cited

U.S. PATENT DOCUMENTS

D. 273,925	5/1984	Caruso	D6/498
D. 276,864	12/1984	Ponzellini	D6/498
D. 304,399	11/1989	Caruso et al.	D6/498
D. 312,011	11/1990	Caruso et al.	D6/498
D. 321,299	11/1991	Caruso et al.	D6/498
4,911,391	3/1990	Ellis	248/188.7

OTHER PUBLICATIONS

Industrial Design, Jan./Feb. 1982 p. 59 Display Base at top right.

Global Computer Supplies, back cover, Chair Base at left.

Primary Examiner—Janice E. Seeger
Attorney, Agent, or Firm—Evenson, McKeown, Edwards & Lenahan

[57] CLAIM

The ornamental design for a furniture support base, as shown and described.

DESCRIPTION

FIG. 1 is a bottom plan view of a first embodiment of a furniture support base embodying my novel design;

FIG. 2 is a top perspective view taken from above of a first embodiment of the design of FIG. 1;

FIG. 3 is an enlarged bottom plan view of a first embodiment of the design of FIG. 1;

FIG. 4 is a side view of the first embodiment of the design of FIG. 1;

FIG. 5 is a bottom plan view of a second embodiment of a furniture support base;

FIG. 6 is a top perspective view taken from above of the second embodiment of the design of FIG. 5; and,

FIG. 7 is an enlarged partial bottom plan view of the second embodiment of the design of FIG. 5.

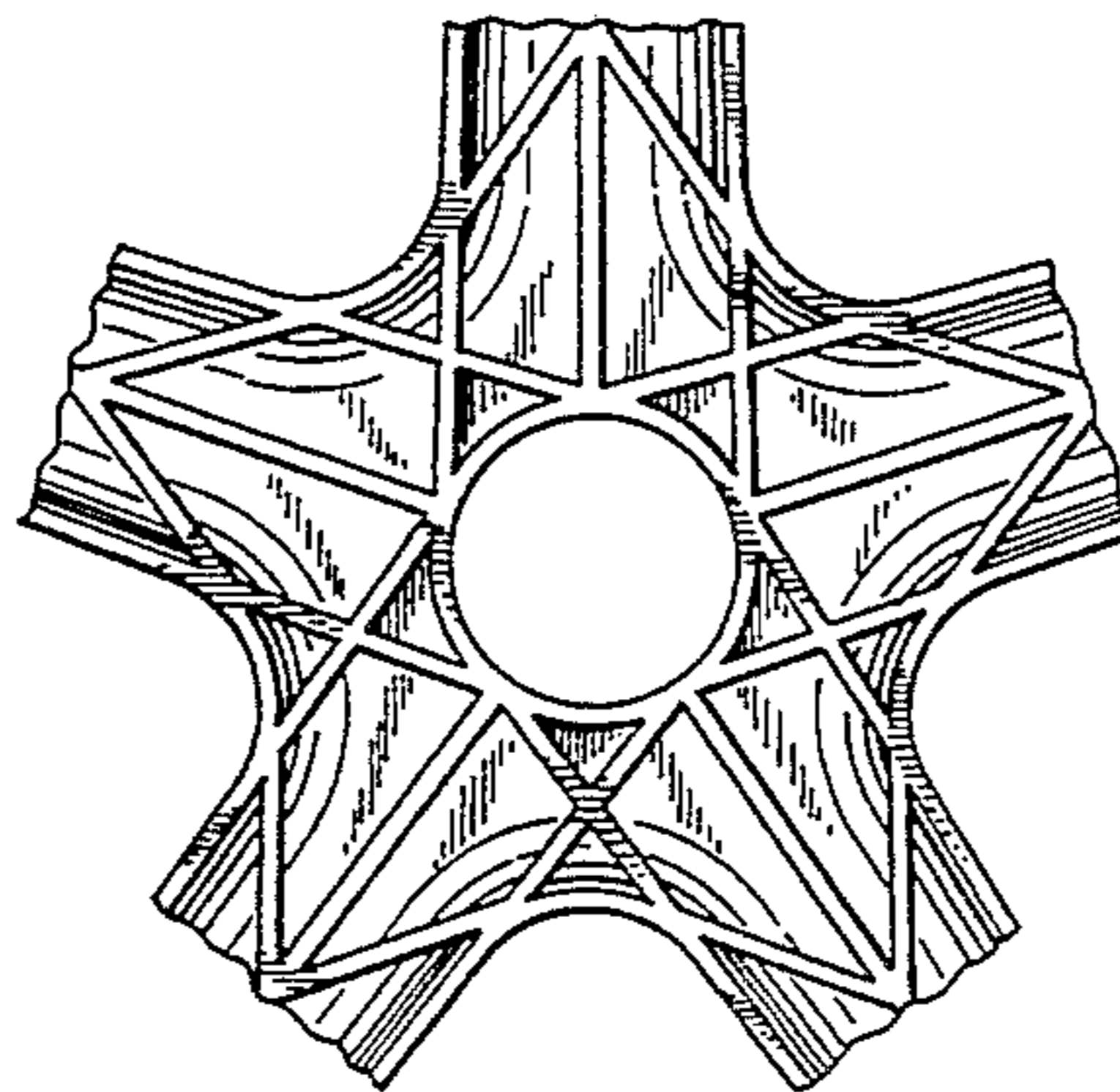
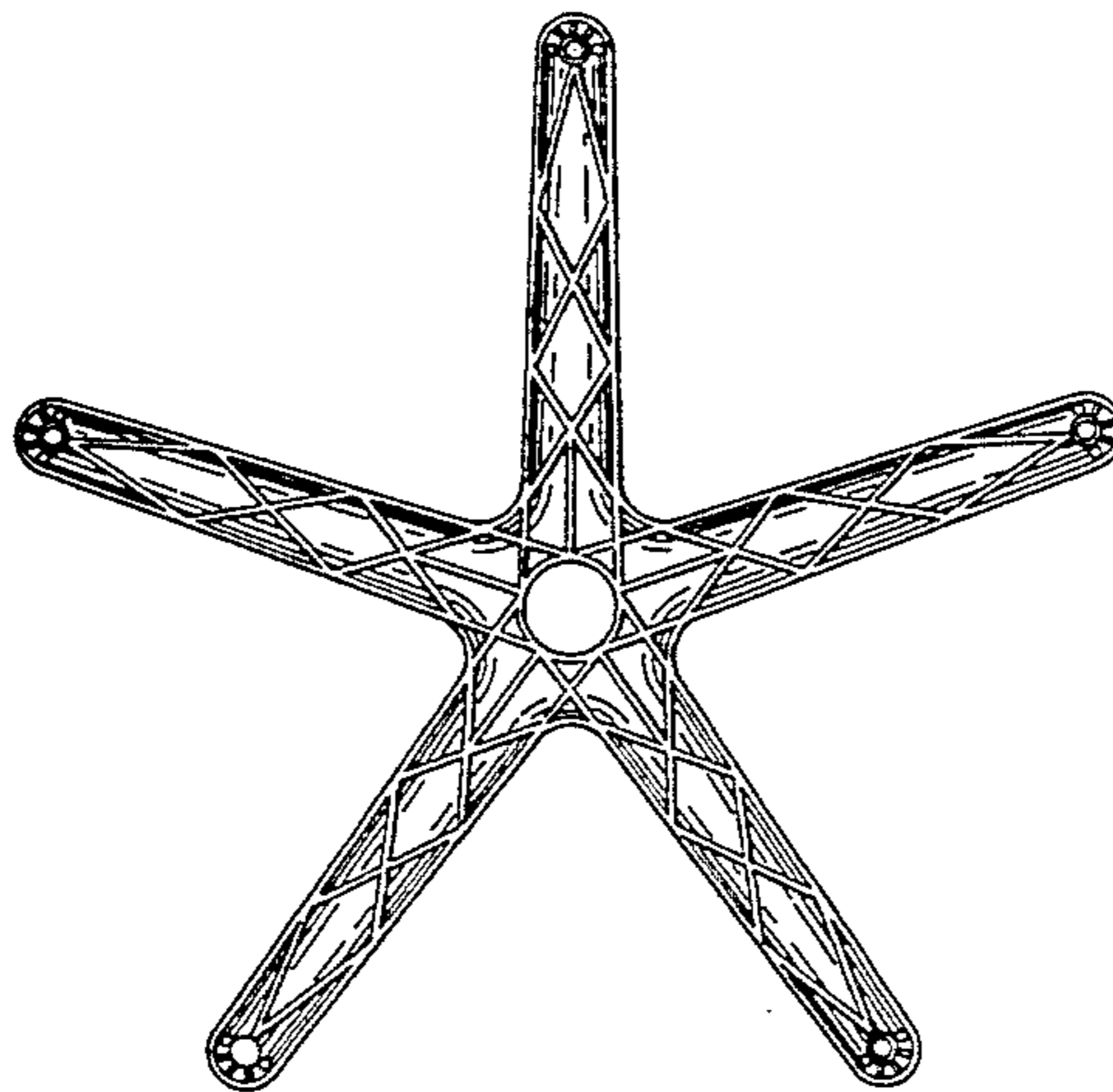


FIG. 1

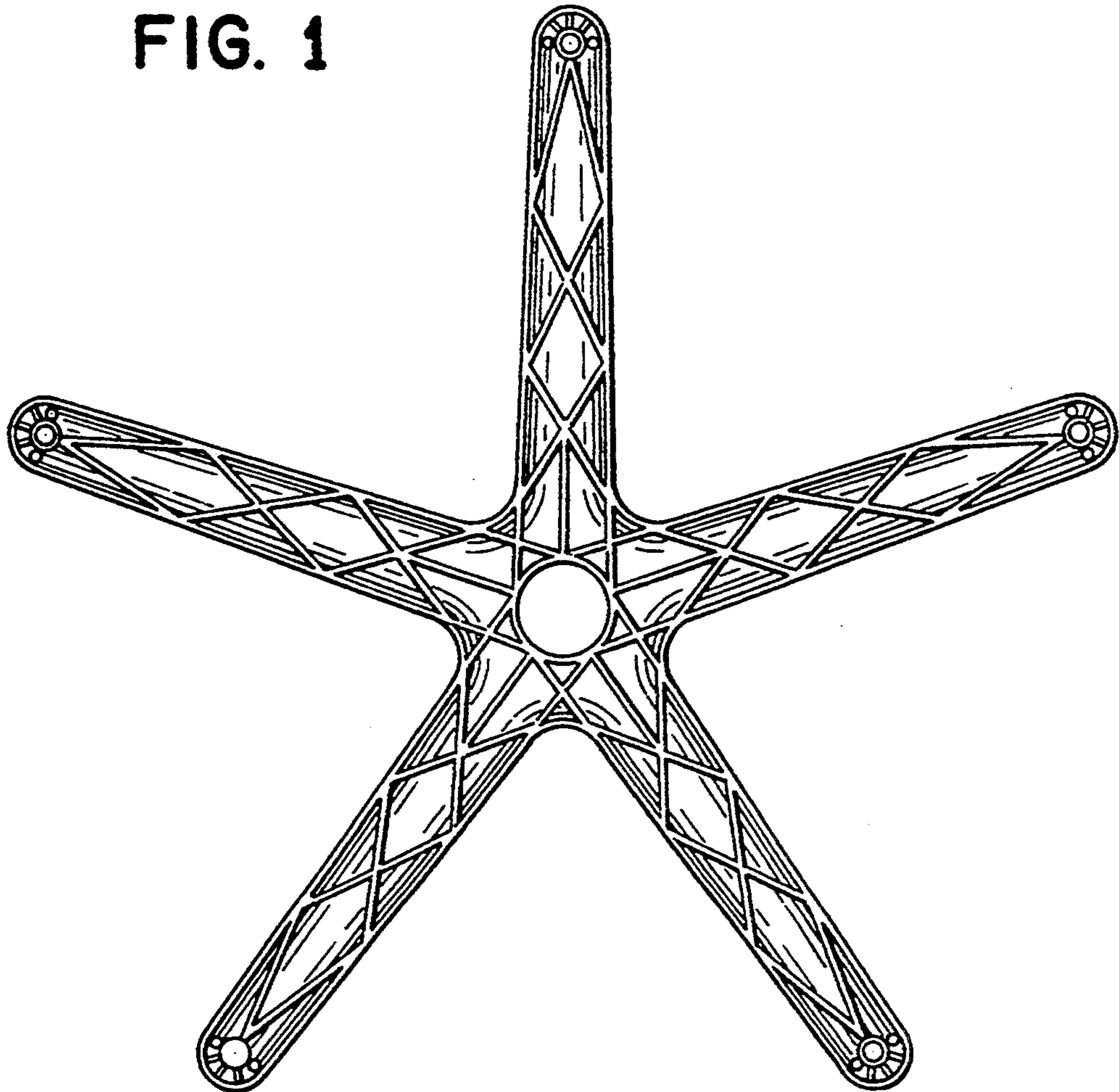


FIG. 2

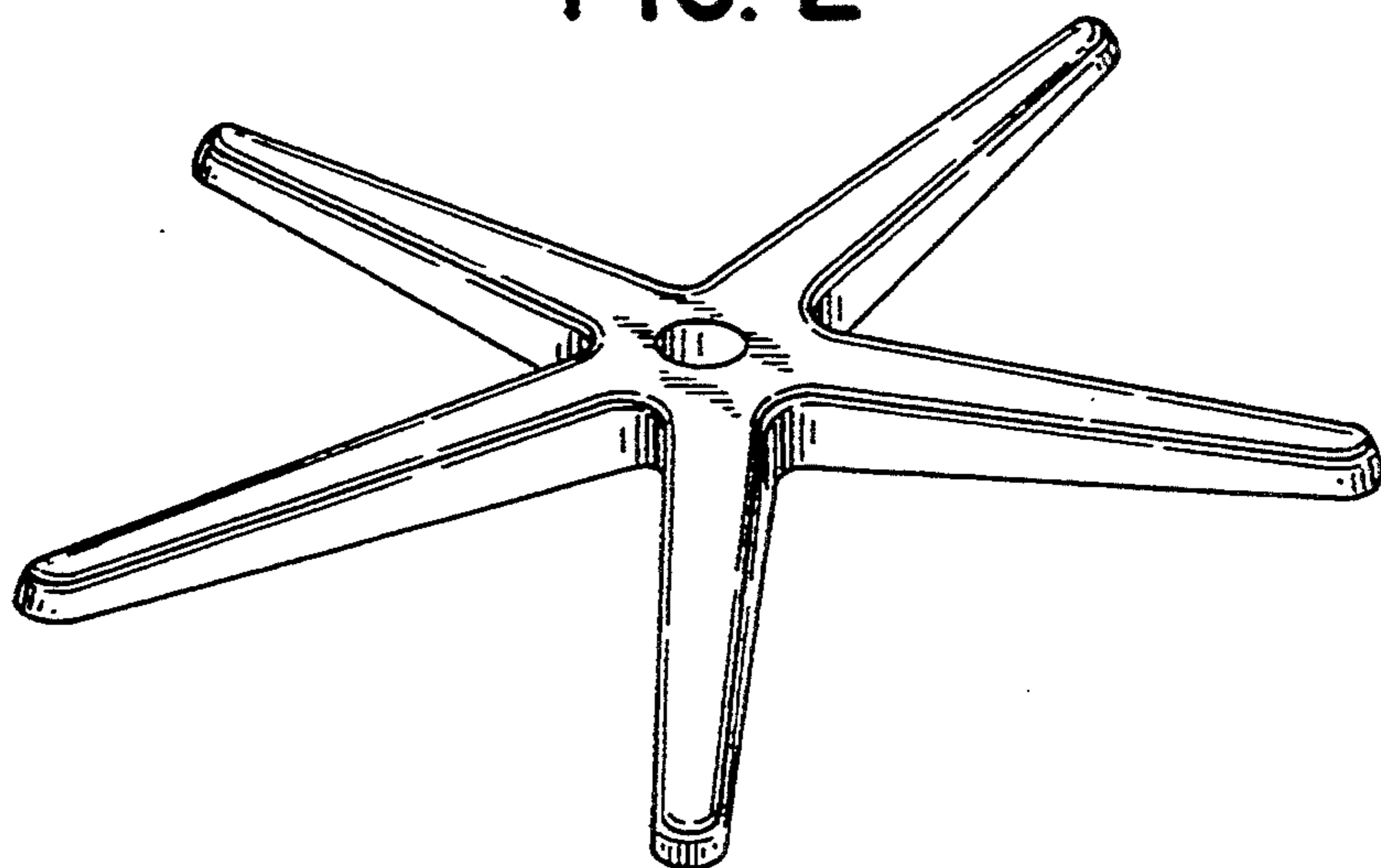


FIG. 3

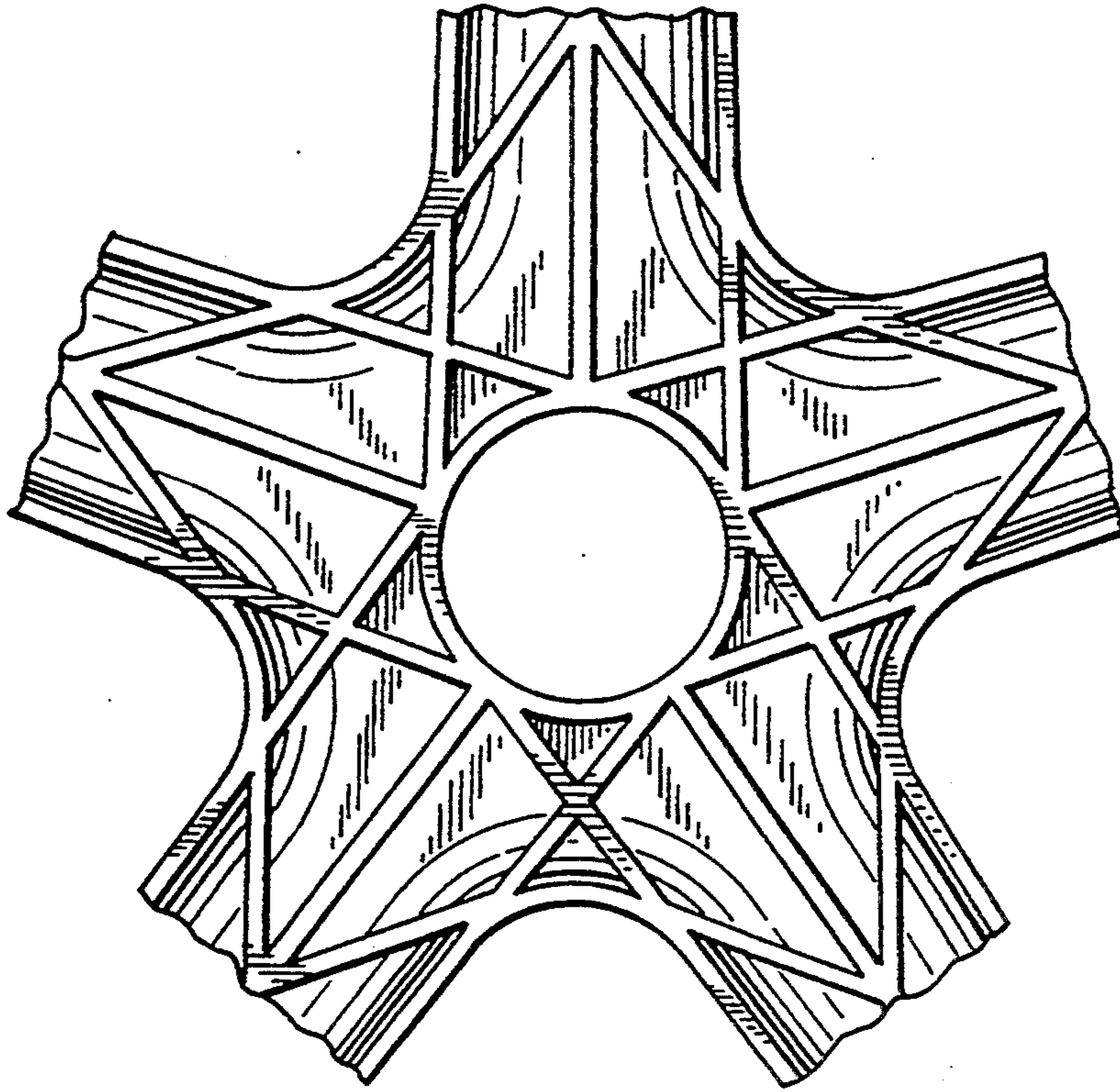


FIG. 4



FIG. 5

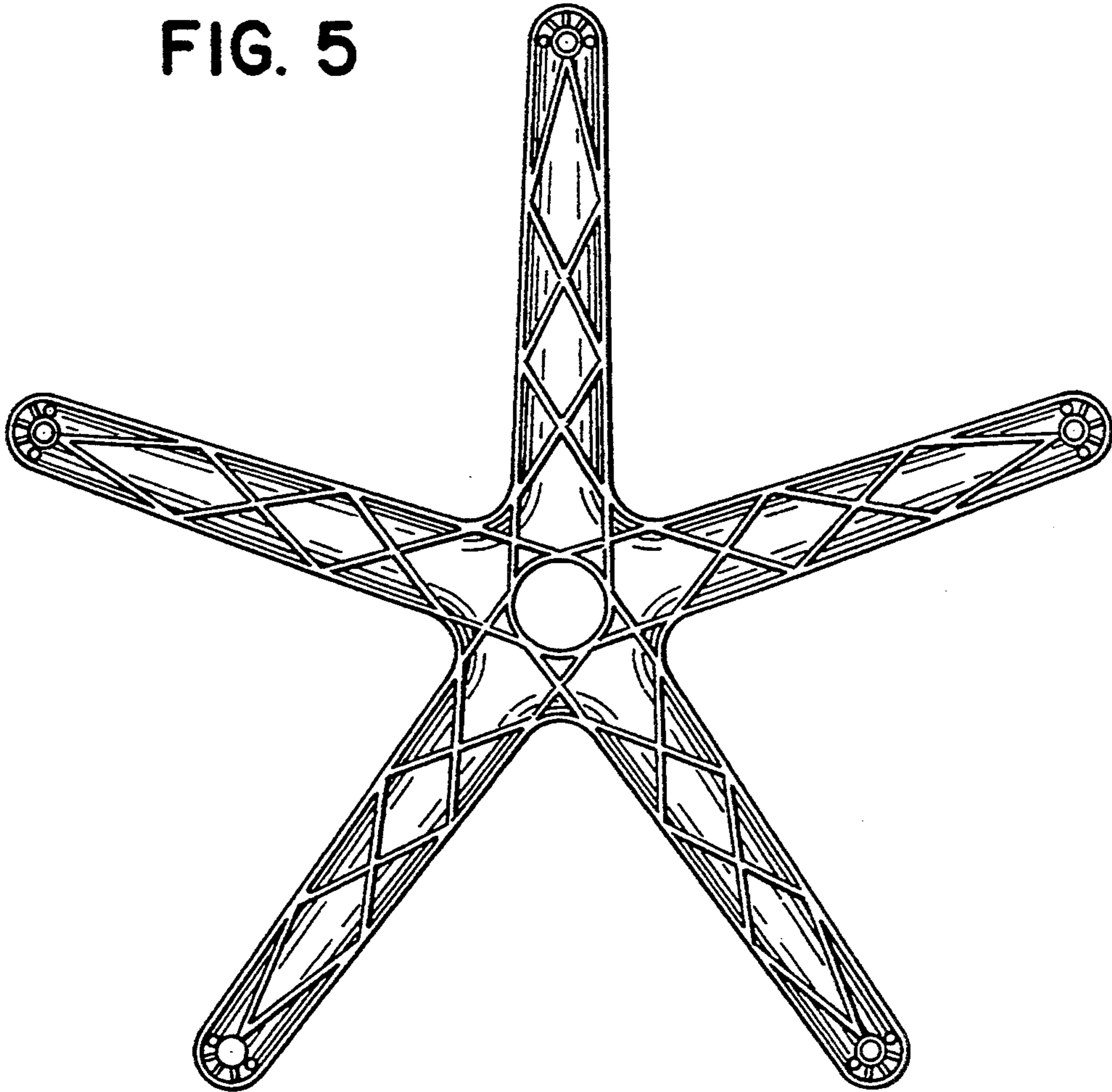


FIG. 6

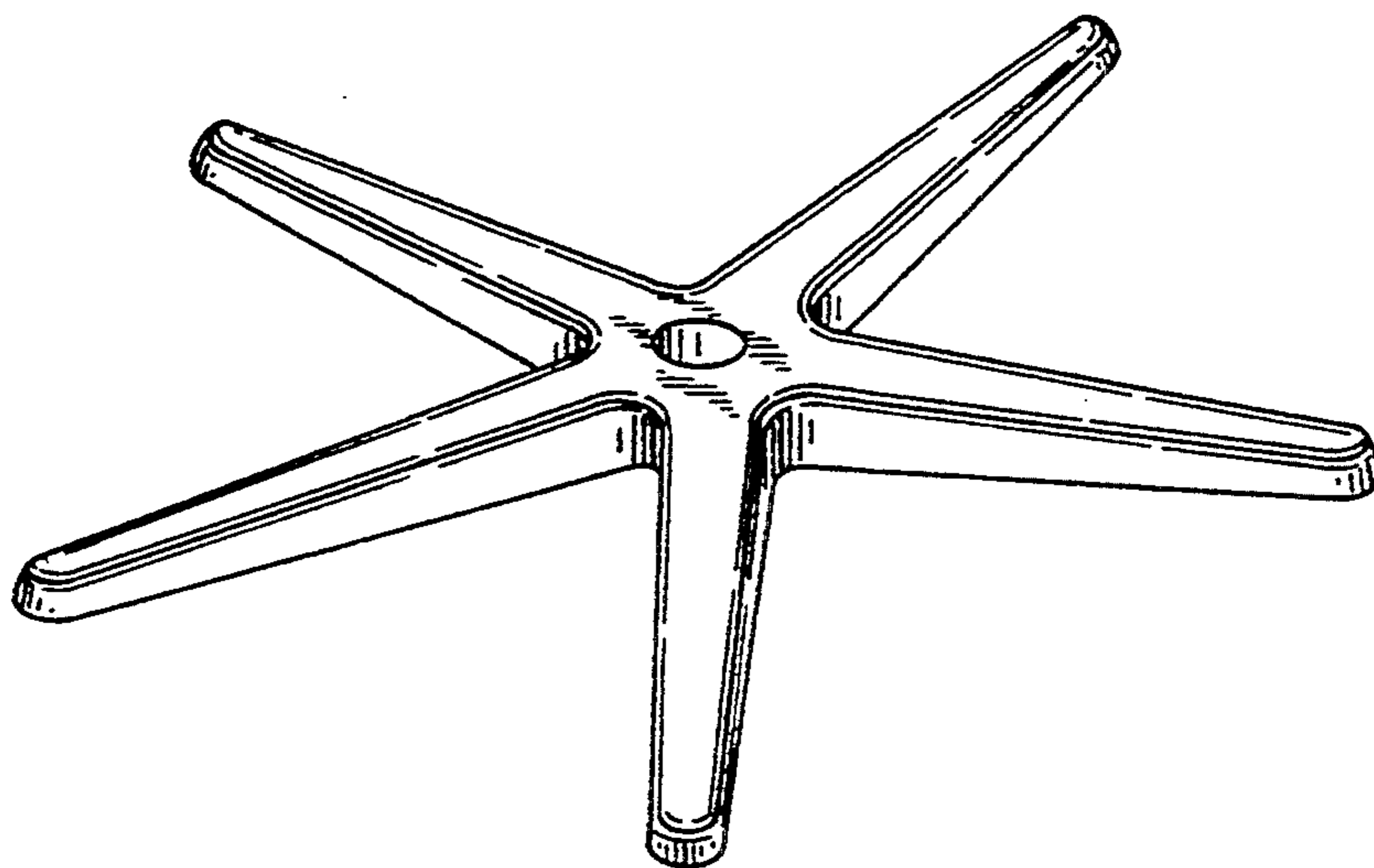


FIG. 7

