



US00D360548S

# United States Patent [19]

[11] Patent Number: **Des. 360,548**

Laske

[45] Date of Patent: **\*\* Jul. 25, 1995**

[54] **TABLE**

- [75] Inventor: **Lawrence Laske, Chicago, Ill.**
- [73] Assignee: **Westinghouse Elec Corp, Pittsburgh, Pa.**
- [\*\*] Term: **14 Years**
- [21] Appl. No.: **23,675**
- [22] Filed: **May 31, 1994**
- [52] U.S. Cl. .... **D6/480; D6/487**
- [58] Field of Search ..... **D6/480-489, D6/495-499; 108/150, 153, 156, 157, 161; 248/188, 188.1**

[56]

**References Cited**

**U.S. PATENT DOCUMENTS**

D. 153,738	5/1949	Wallace	.....	D6/485 X
D. 337,220	7/1993	Bennett	.....	D6/480
5,341,750	8/1994	Fuchs	.....	D6/480 X

**OTHER PUBLICATIONS**

Special Furn. & Fittings—Mar. 1953, table in center.  
Design—May 1979, p. 27, table at left center.

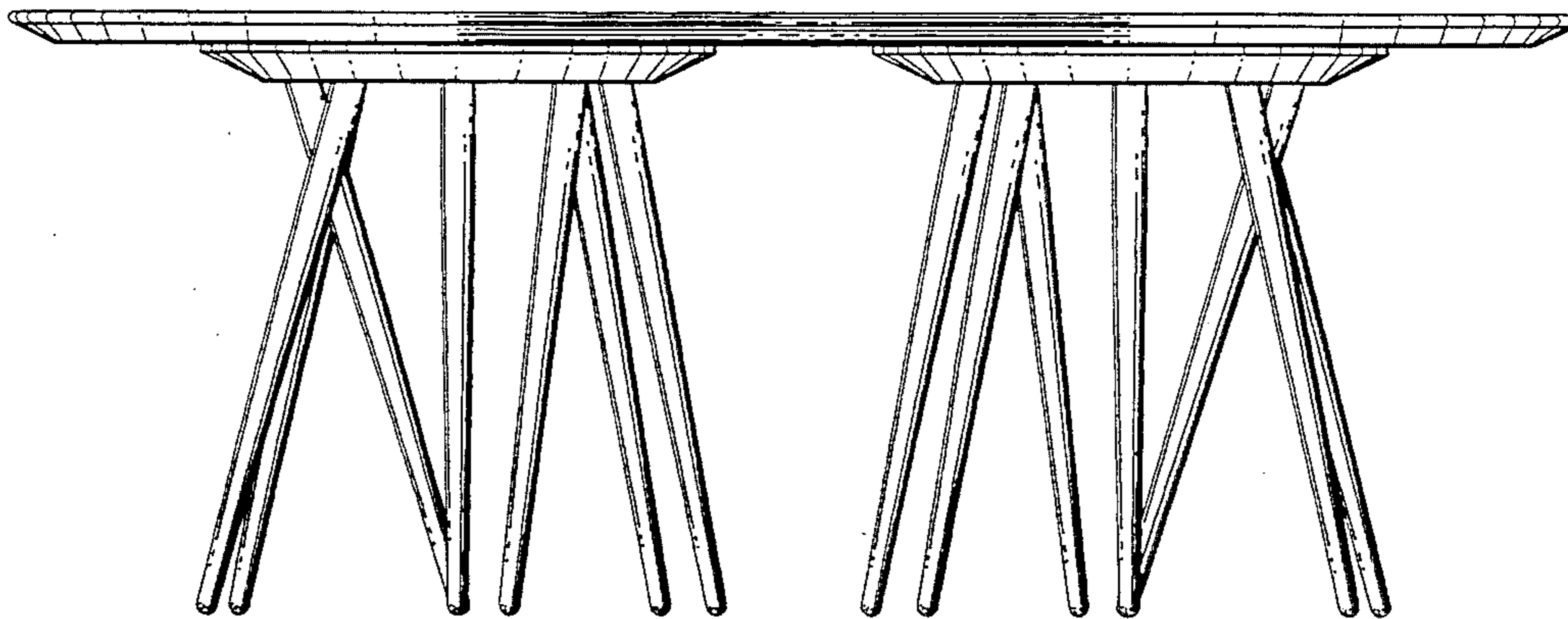
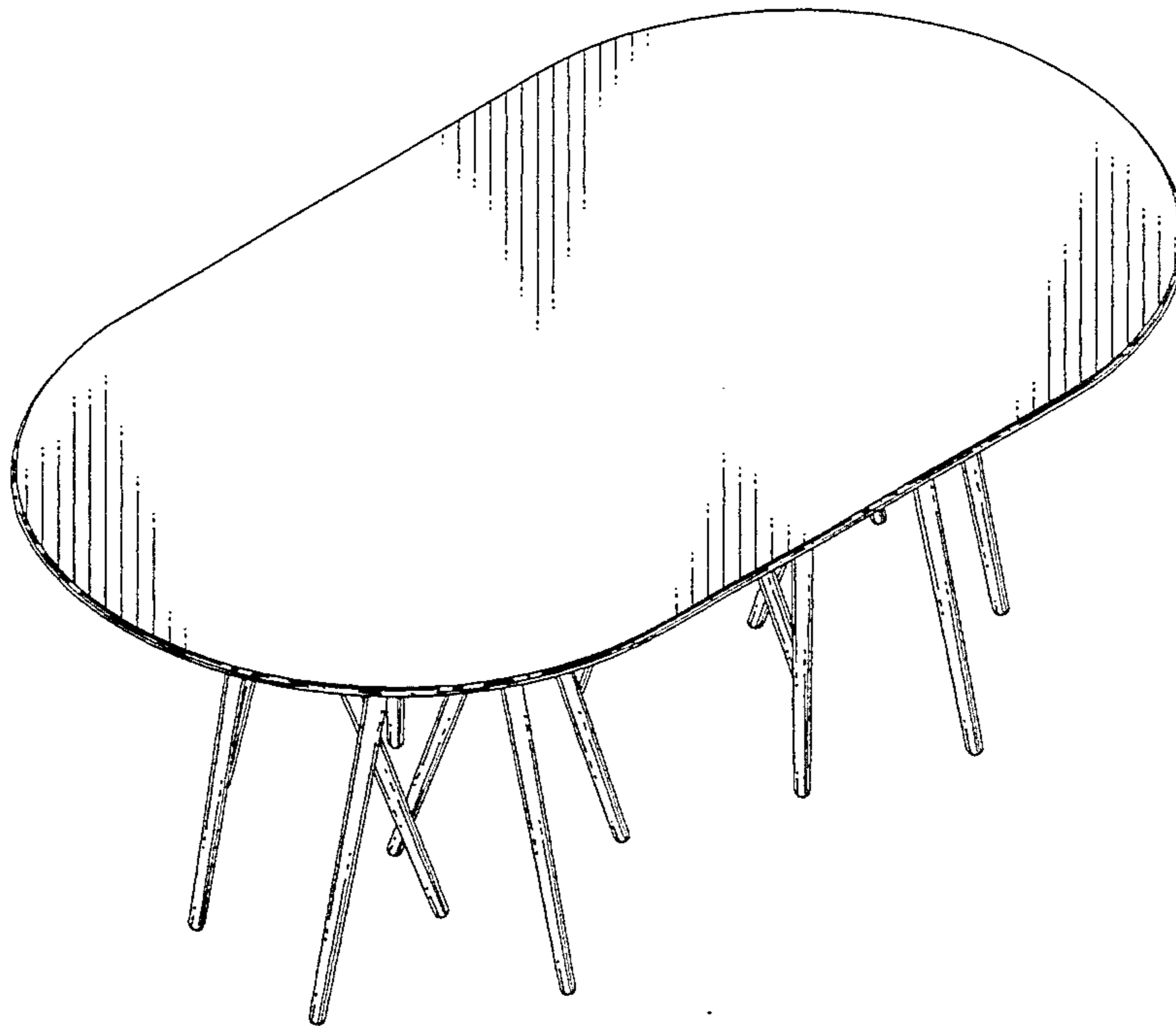
*Primary Examiner*—Janice E. Seeger  
*Attorney, Agent, or Firm*—Carla J. Vrsansky

[57] **CLAIM**

The ornamental design for a table, as shown and described.

**DESCRIPTION**

FIG. 1 is a perspective view of a table showing my new design;  
 FIG. 2 is a front elevational view thereof the rear being a mirror image thereof;  
 FIG. 3 is a right side elevational view thereof;  
 FIG. 4 is a left side elevational view thereof;  
 FIG. 5 is a top plan view thereof; and,  
 FIG. 6 is a bottom plan view thereof.



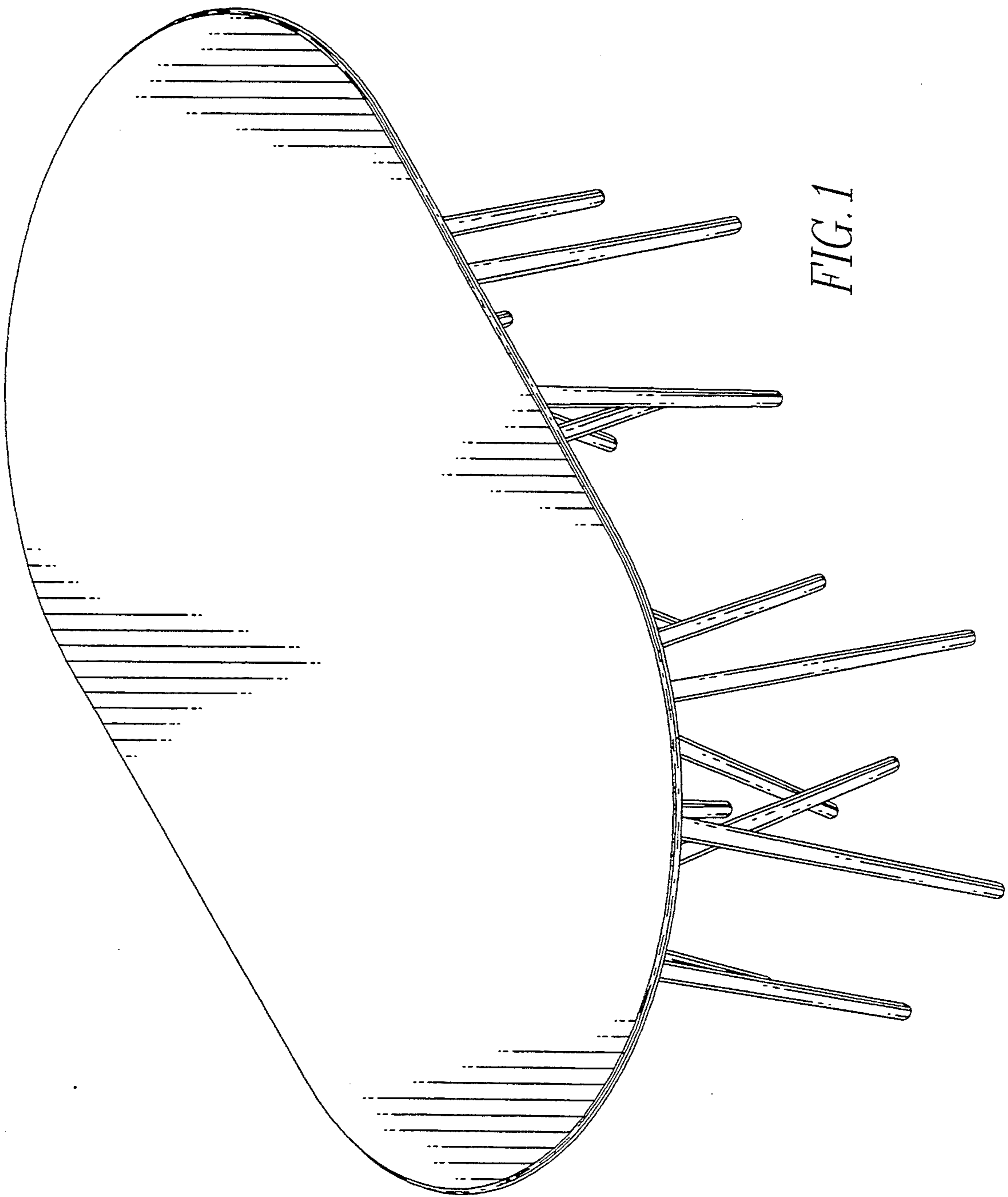


FIG. 1

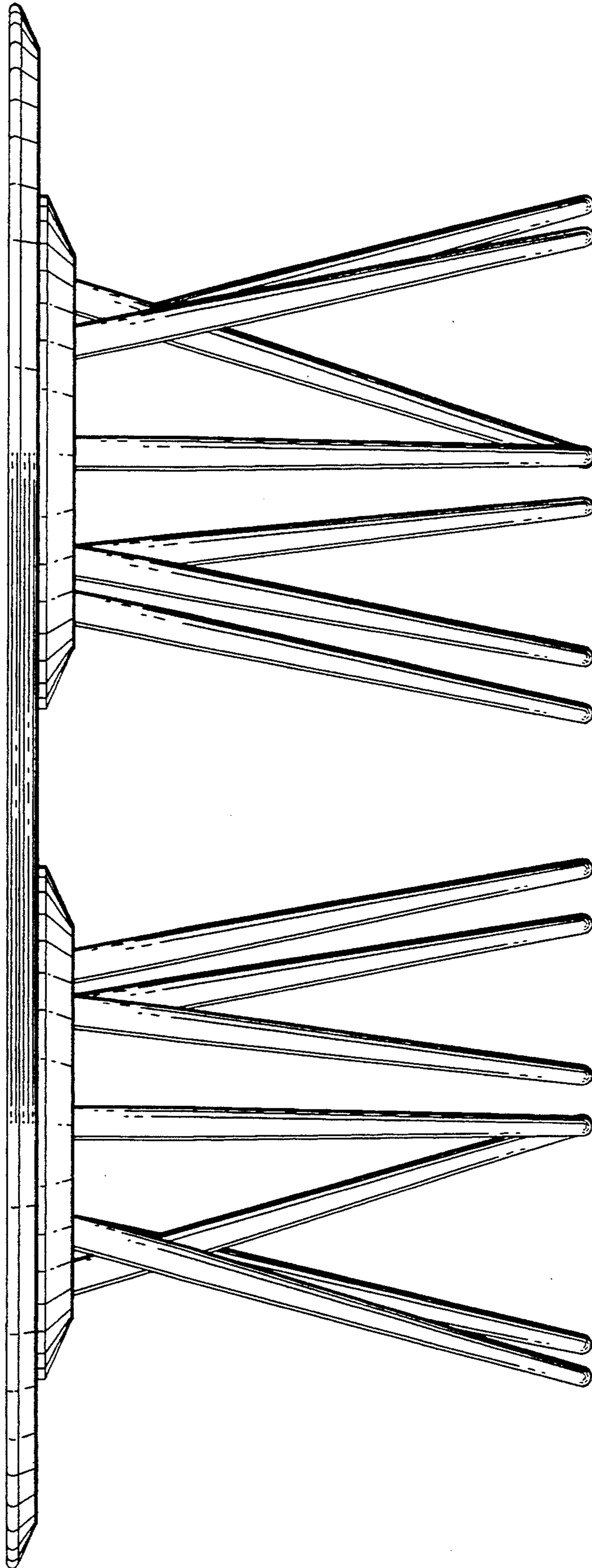


FIG. 2

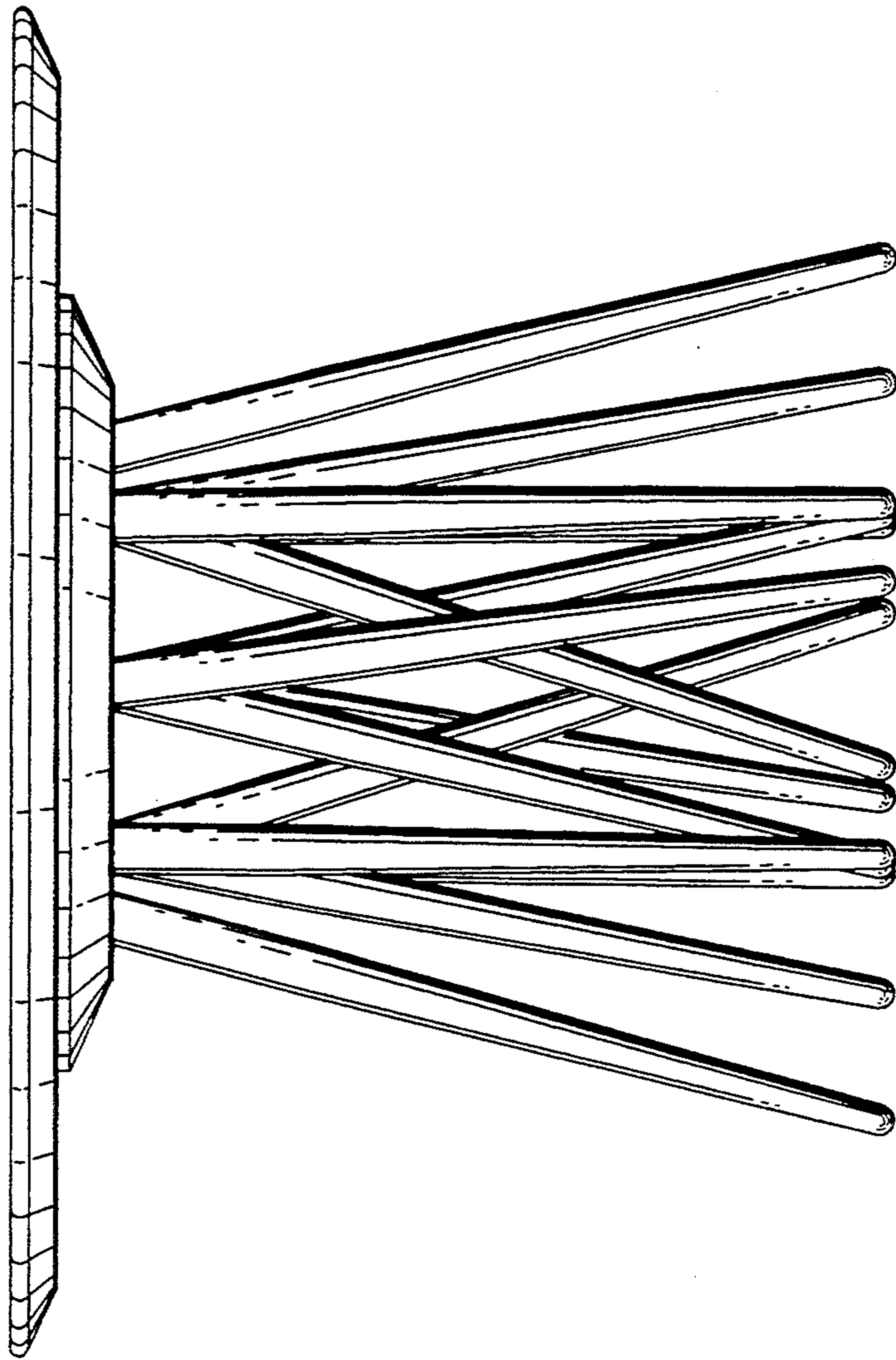


FIG. 3

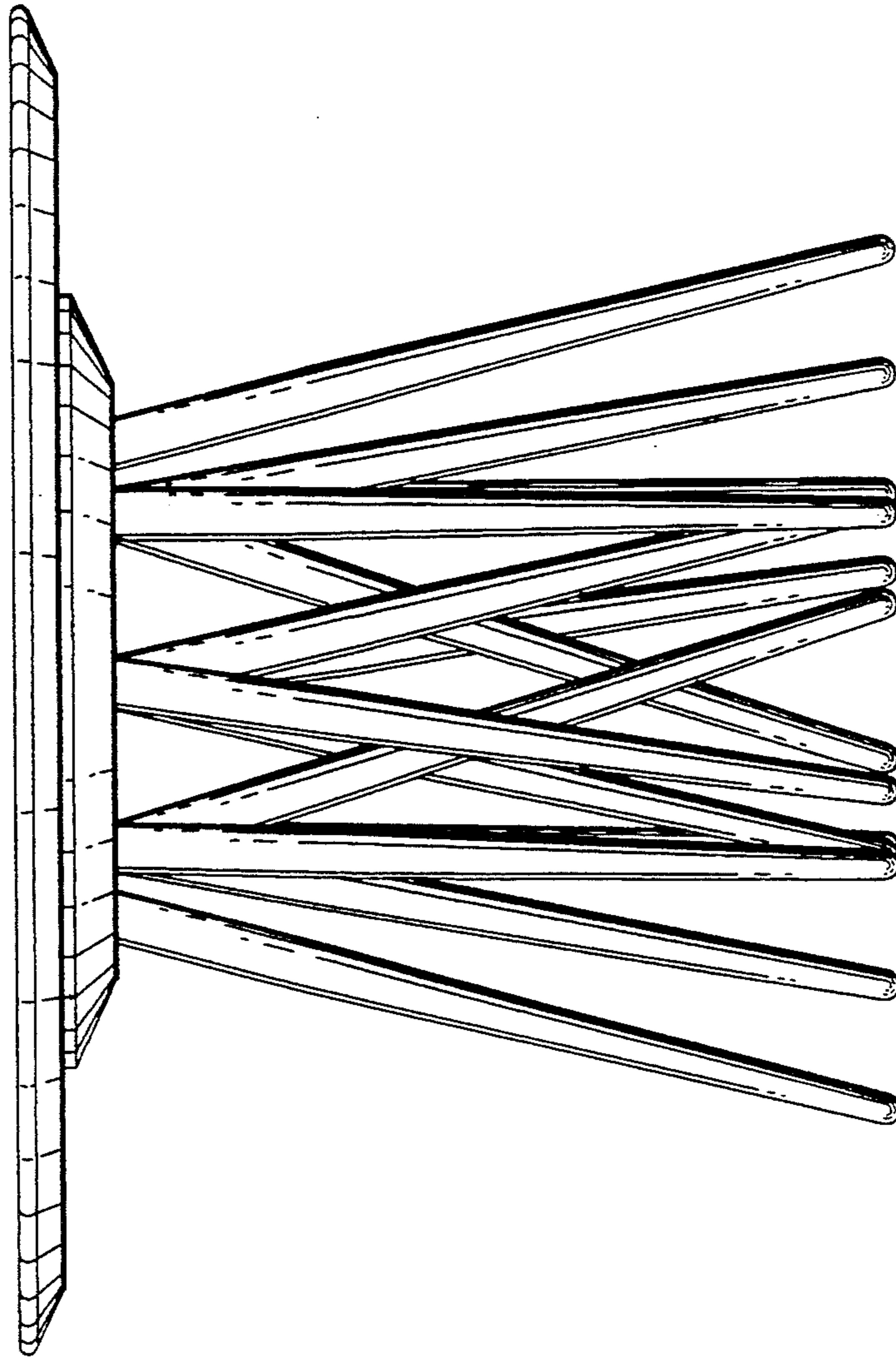


FIG. 4

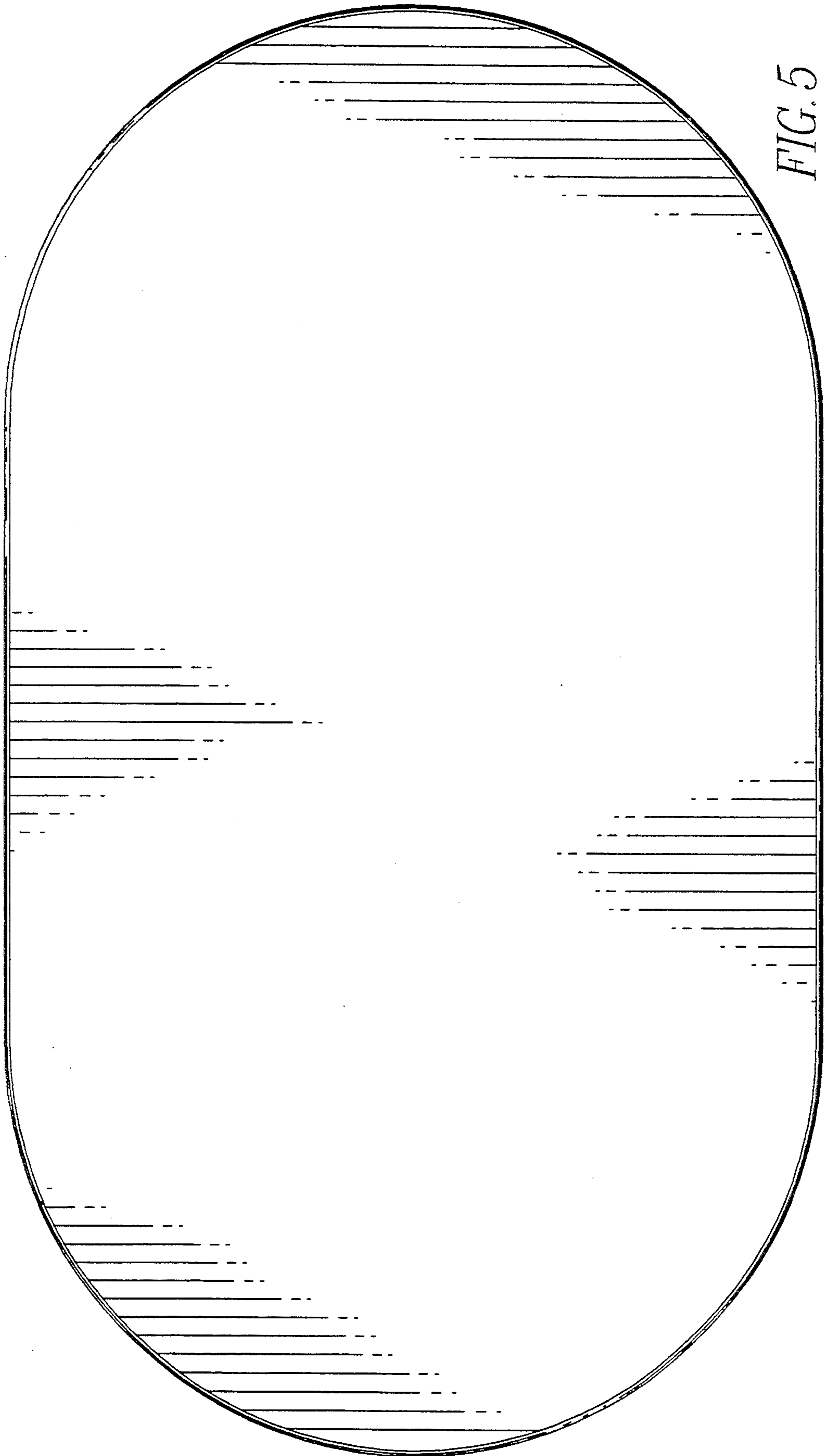


FIG. 5

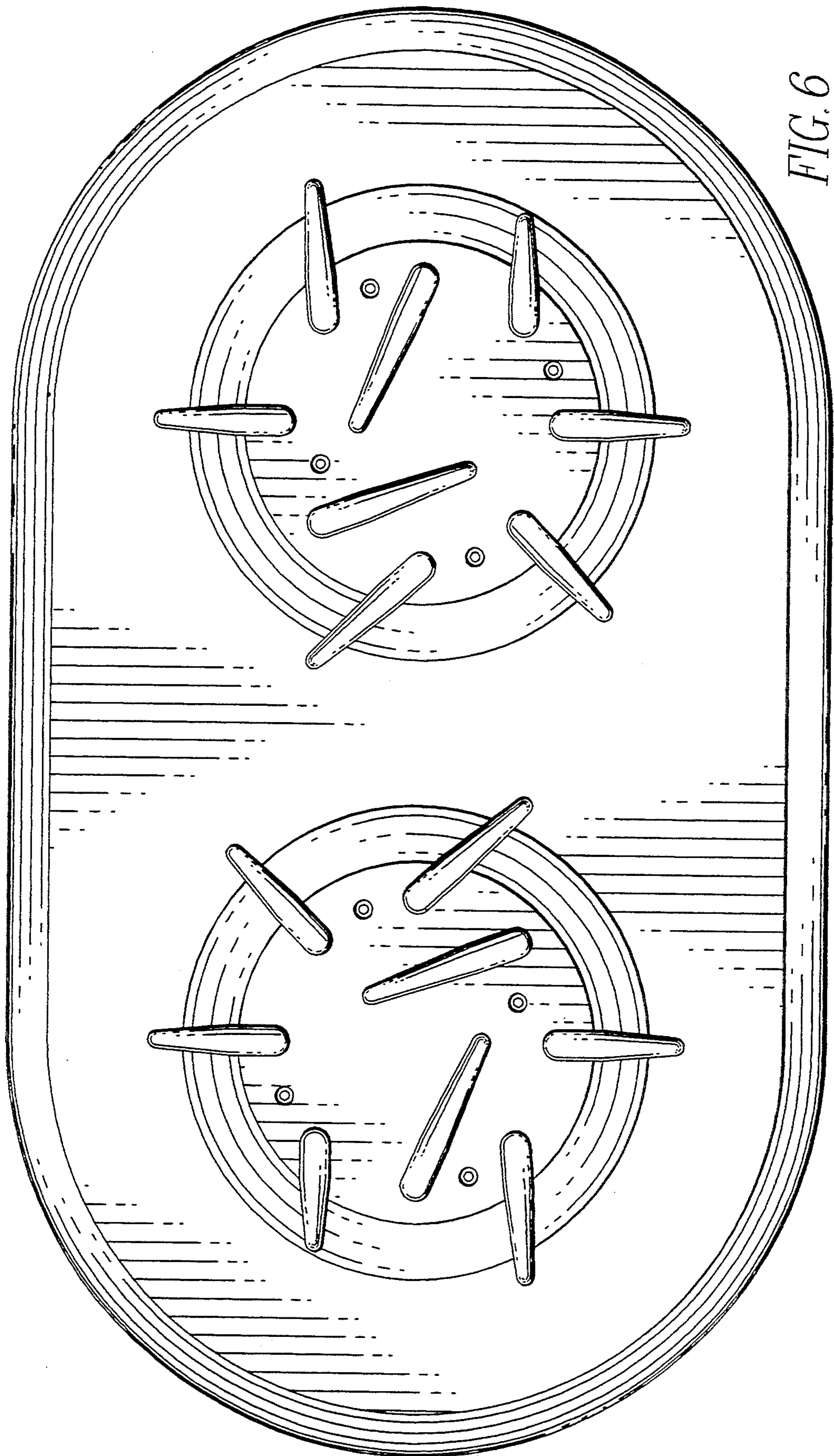


FIG. 6