



US00D360546S

United States Patent [19]
Gibson

[11] **Patent Number: Des. 360,546**
[45] **Date of Patent: ** Jul. 25, 1995**

[54] **TABLE**

[76] **Inventor: Jim Gibson**, 8185 Fairview Ave., La Mesa, Calif. 91941

[**] **Term: 14 Years**

[21] **Appl. No.: 12,741**

[22] **Filed: Sep. 10, 1993**

[52] **U.S. Cl. D6/451; D6/482**

[58] **Field of Search D6/480-489, D6/495-499, 450-451, 511; 108/153-155, 161; D21/228**

[56] **References Cited**

U.S. PATENT DOCUMENTS

D. 265,898 8/1982 Cerkovnik et al. D21/228 X
D. 345,323 3/1994 Stimpson D21/228 X

OTHER PUBLICATIONS

Surfer, Jan. 1983, p. 69, surf board lower right & 2nd fl right.

Interiors, May 1973, p. 42 "Dynasty" table in center.

Domus, Aug. 1991, Magela table at lower left.

Ruine Design Assoc.-Mesmer table.

Primary Examiner—Janice E. Seeger

Attorney, Agent, or Firm—Calif Tervo

[57] **CLAIM**

The ornamental design for a table, as shown and described.

DESCRIPTION

FIG. 1 is a front elevated perspective view of a table showing my new design;

FIG. 2 is a top plan view thereof;

FIG. 3 is a left side elevational view thereof, the opposite side being a mirror image;

FIG. 4 is a bottom plan view thereof;

FIG. 5 is a front elevational view thereof; and,

FIG. 6 is a rear elevational view thereof.

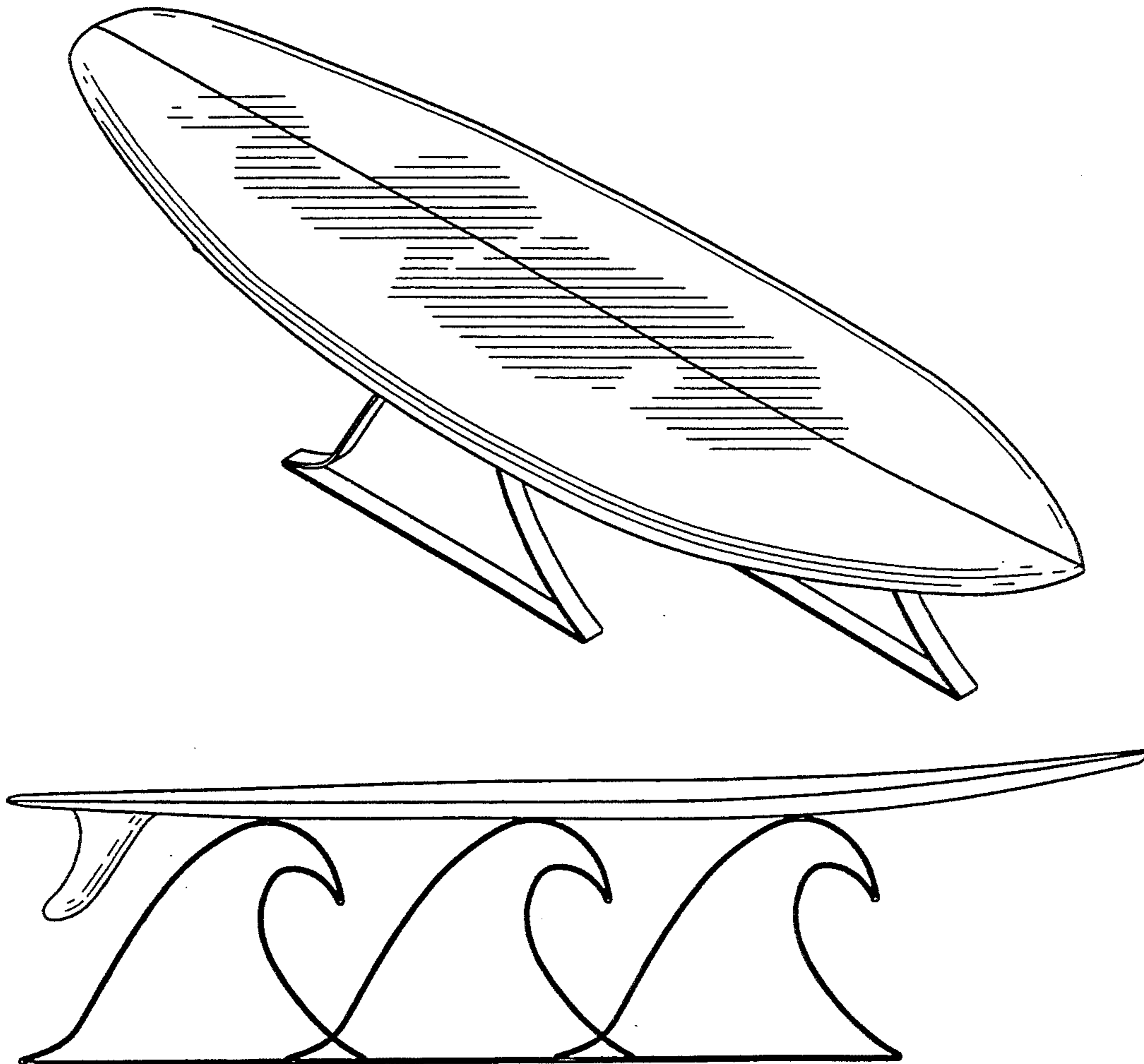


FIG. 1

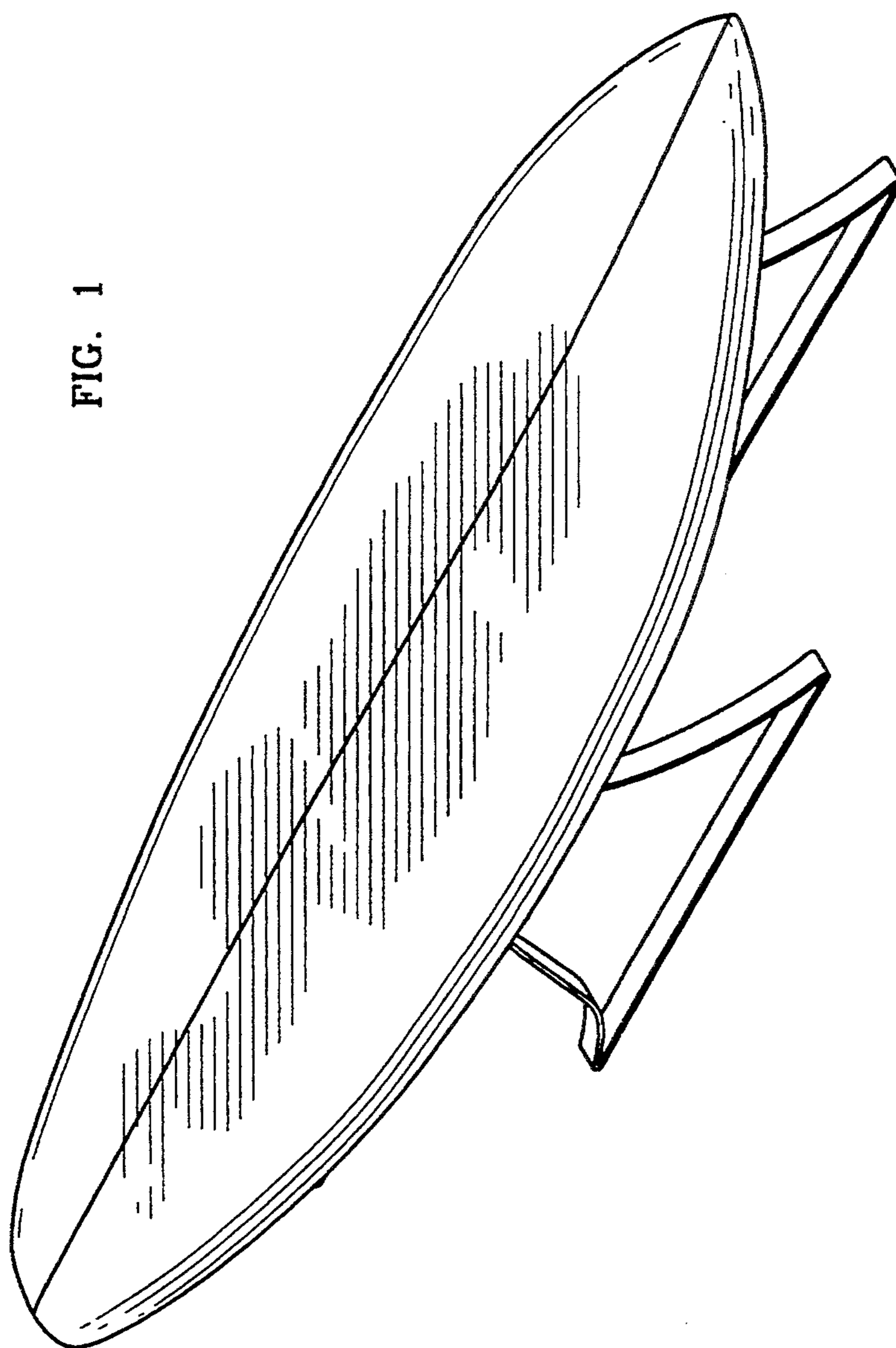


FIG. 2

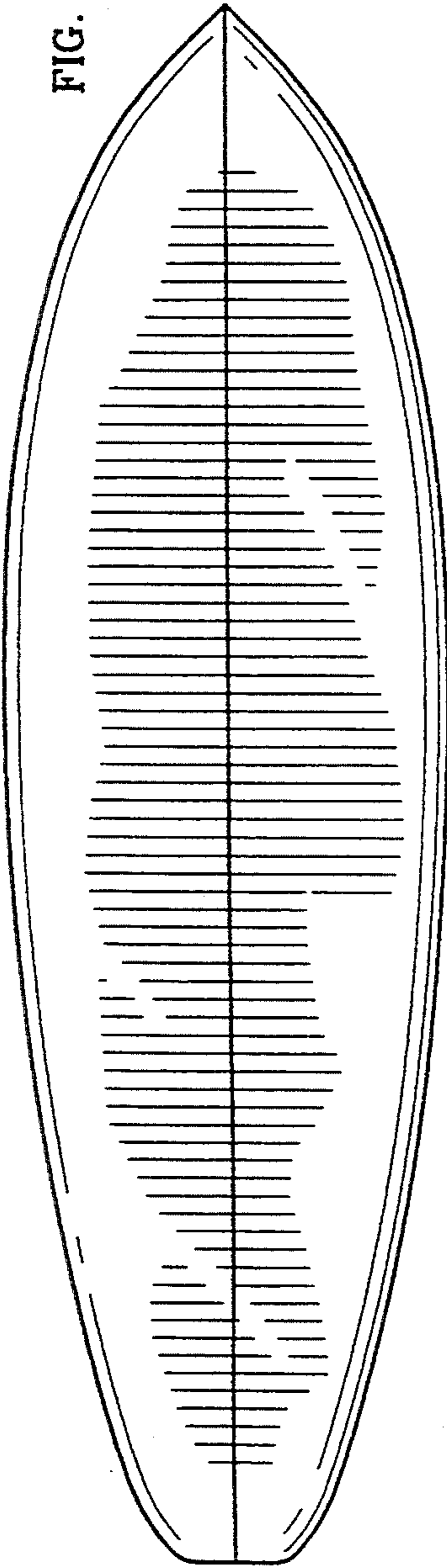


FIG. 3

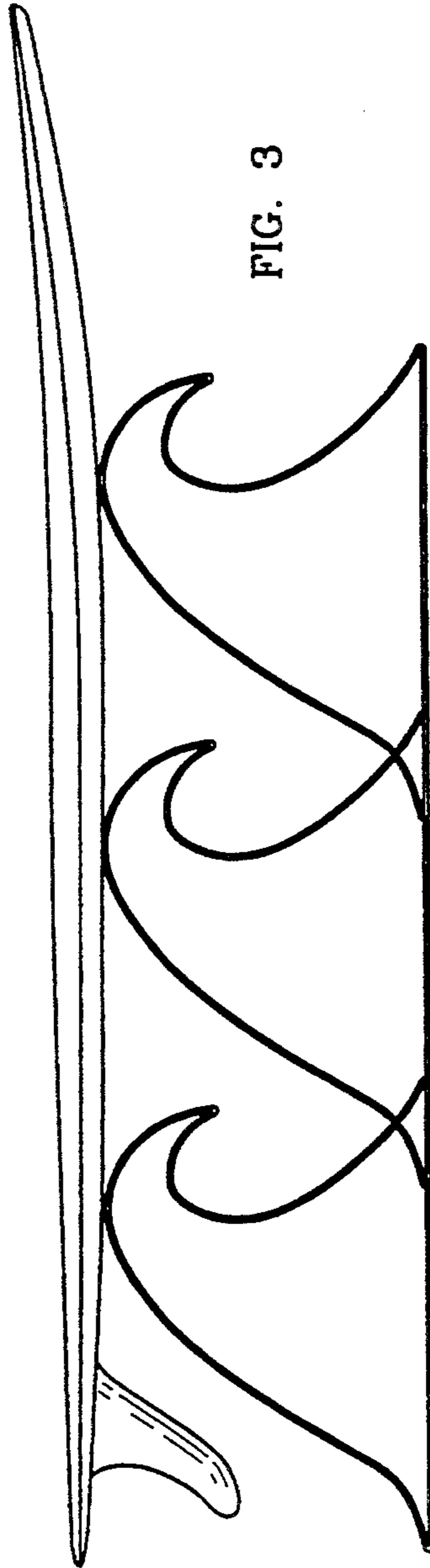


FIG. 4

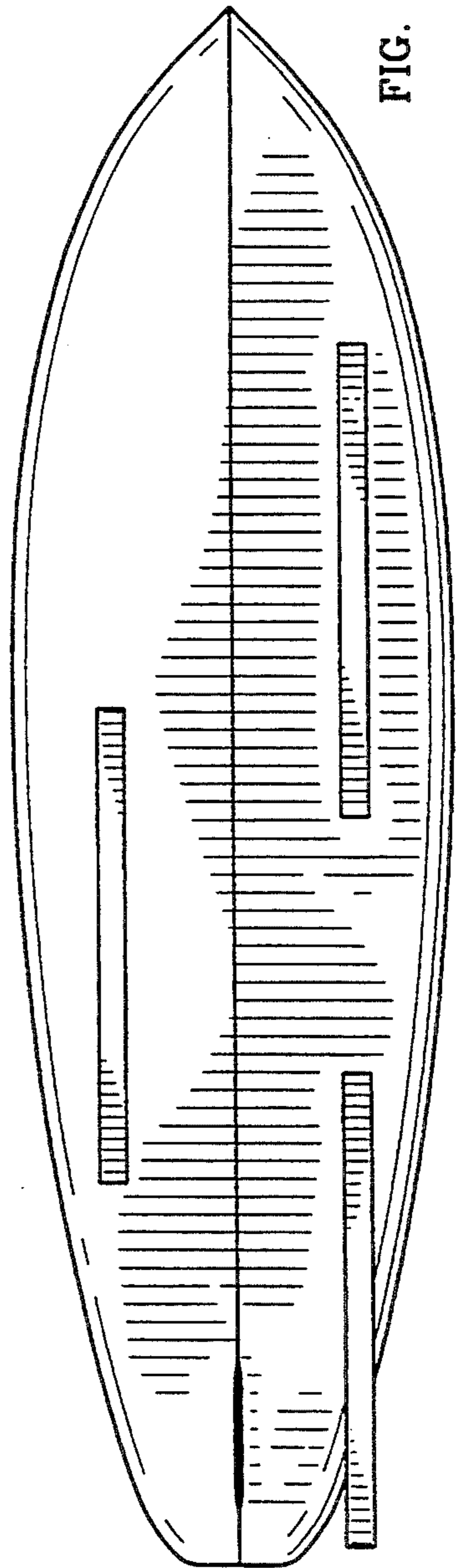


FIG. 5

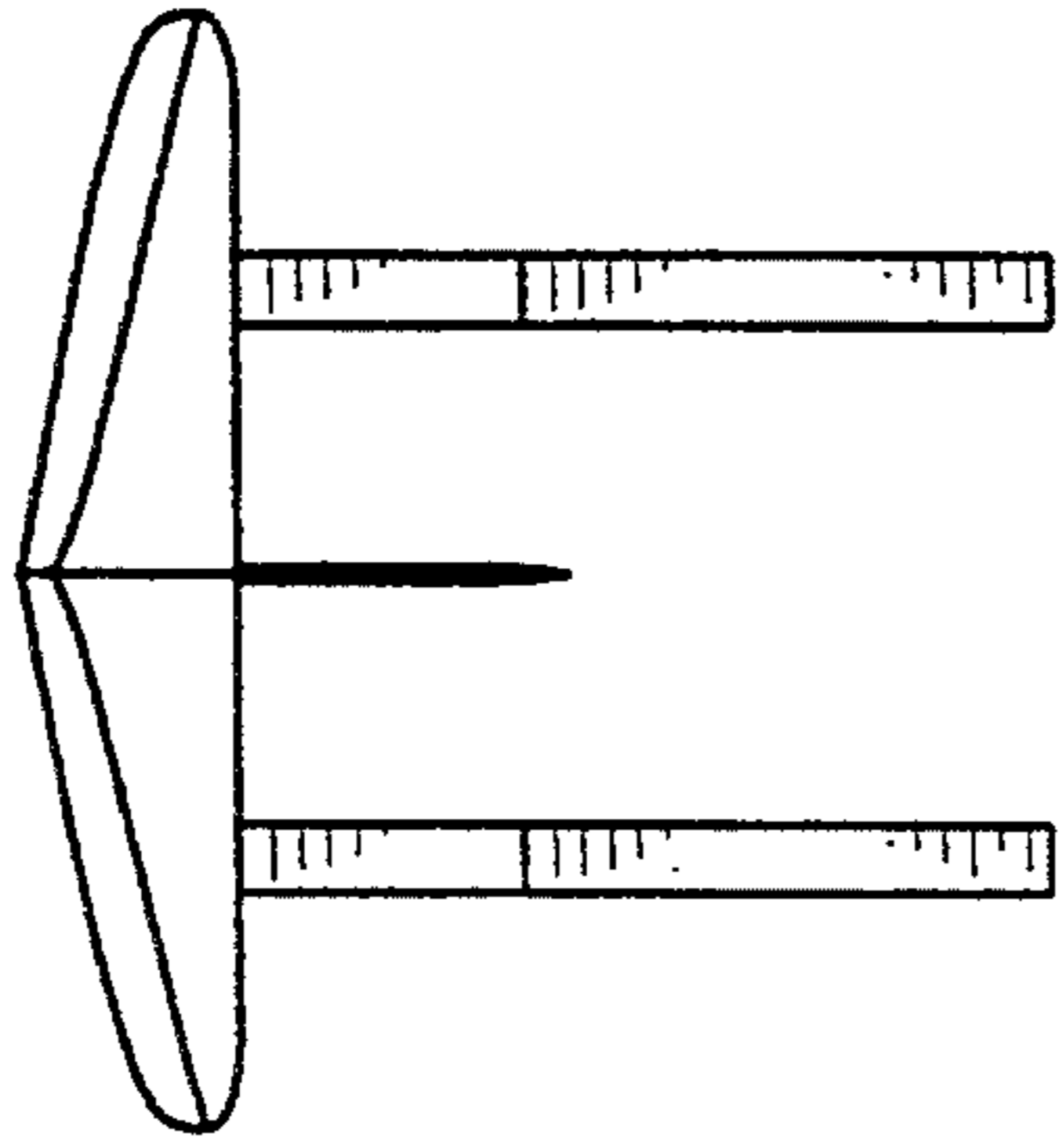


FIG. 6

