



US00D360545S

United States Patent [19]

[11] Patent Number: **Des. 360,545**

Lechman

[45] Date of Patent: **** Jul. 25, 1995**

[54] **WORK STATION**

[75] Inventor: **John N. Lechman**, Effingham, Ill.

[73] Assignee: **Nova Manufacturing & Assembly, Inc.**, Effingham, Ill.

[**] Term: **14 Years**

[21] Appl. No.: **15,400**

[22] Filed: **Nov. 15, 1993**

2,970,702	2/1961	Maslow .
3,021,185	2/1962	Kowalczyk .
4,590,866	5/1986	Schairbaum .
4,755,009	7/1988	Price et al. .
4,836,478	6/1989	Sweere .
4,909,159	3/1990	Gonsoulin 312/196 X
5,071,204	12/1991	Price et al. .
5,087,010	2/1992	Walters .
5,125,727	6/1992	Lechman et al. .

Related U.S. Application Data

[63] Continuation-in-part of Ser. No. 135,103, Oct. 12, 1993.

[52] U.S. Cl. **D6/422; D6/428**

[58] Field of Search **D6/422-428, D6/480, 484; 312/194-196, 208.1, 223.3; 108/107, 2, 5, 6**

FOREIGN PATENT DOCUMENTS

1106895	8/1981	Canada .
3737872	5/1989	Germany 312/195
560631	4/1975	Switzerland .
659370	1/1987	Switzerland .

Primary Examiner—Carmen H. Vales-Lado
Attorney, Agent, or Firm—Olson & Hierl, Ltd.

[56] References Cited

U.S. PATENT DOCUMENTS

D. 329,551	9/1992	Lechman D6/422
D. 331,336	12/1992	Keong D6/474 X
D. 335,047	4/1993	Lechman et al. D6/422 X
D. 335,782	5/1993	Lechman et al. D6/422
D. 342,396	12/1993	Lechman et al. D6/422
D. 346,913	5/1994	Lechman et al. D6/427
1,241,433	1/1917	Gibbons D6/397 X

[57] CLAIM

The ornamental design for a work station, as shown and described.

DESCRIPTION

FIG. 1 is a perspective view of a work station showing my new design;
FIG. 2 is a front elevational view thereof;
FIG. 3 is a rear elevational view thereof;
FIG. 4 is a right side elevational view thereof; and,
FIG. 5 is a top plan view thereof.

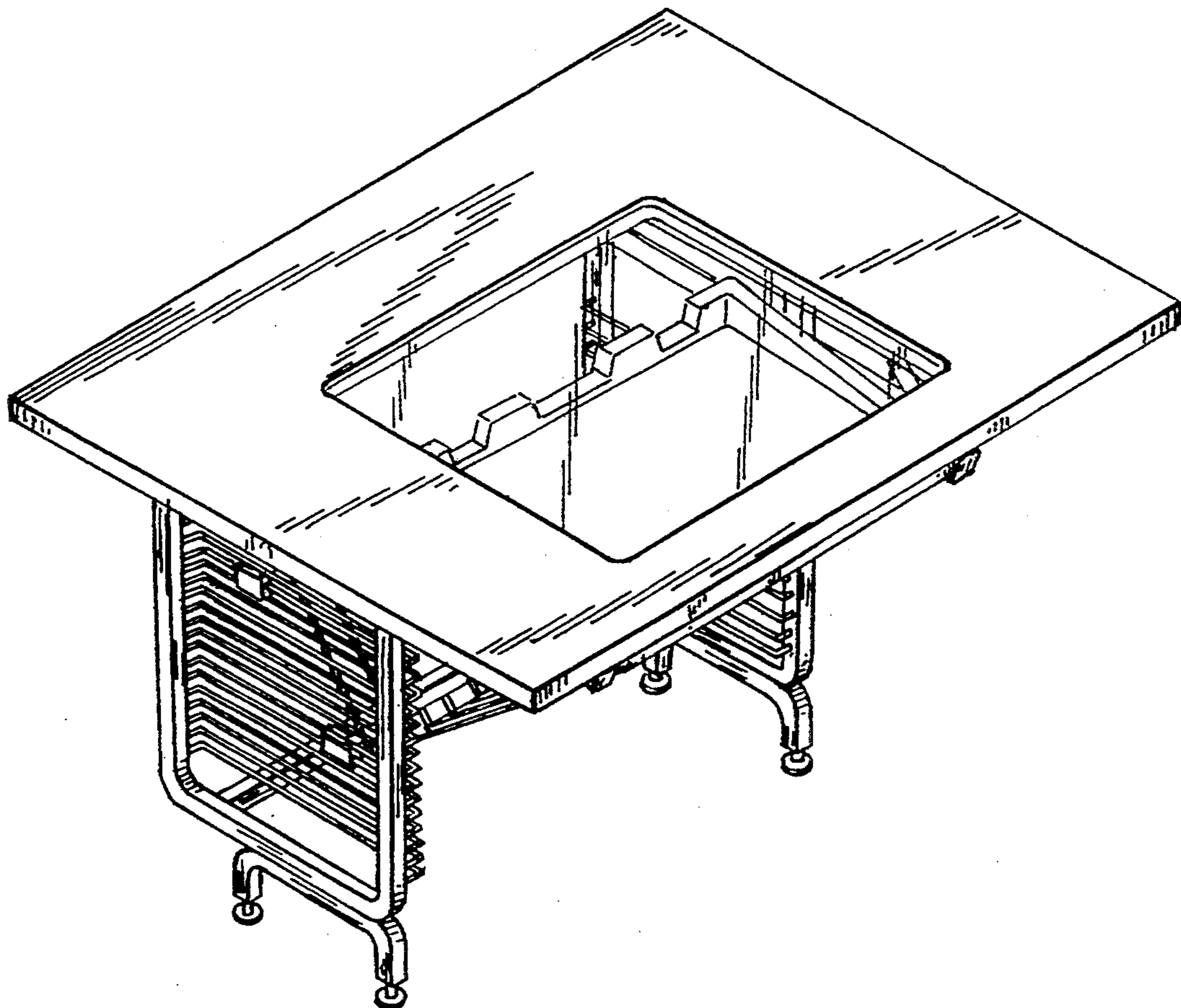


FIG. 1

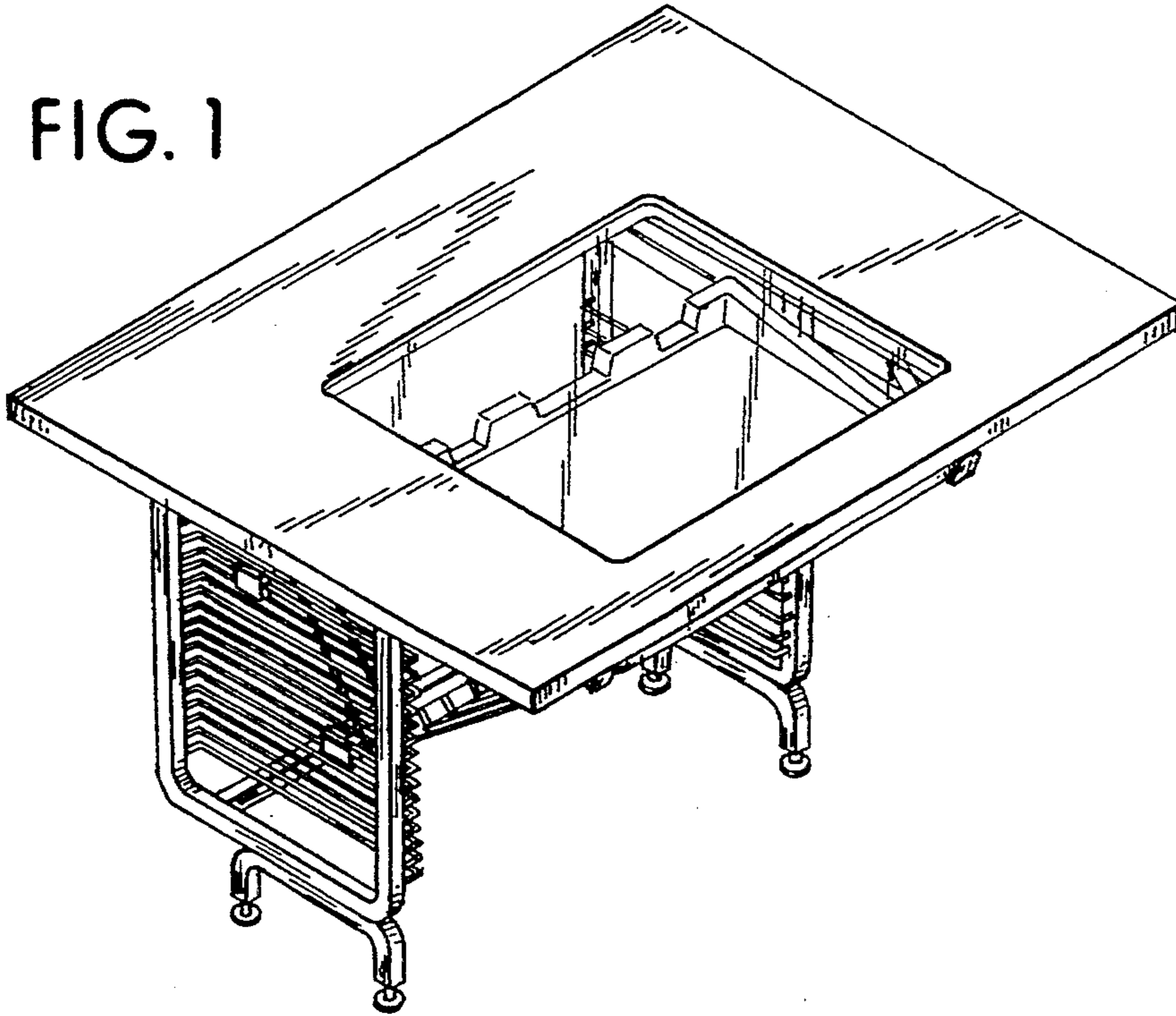


FIG. 2

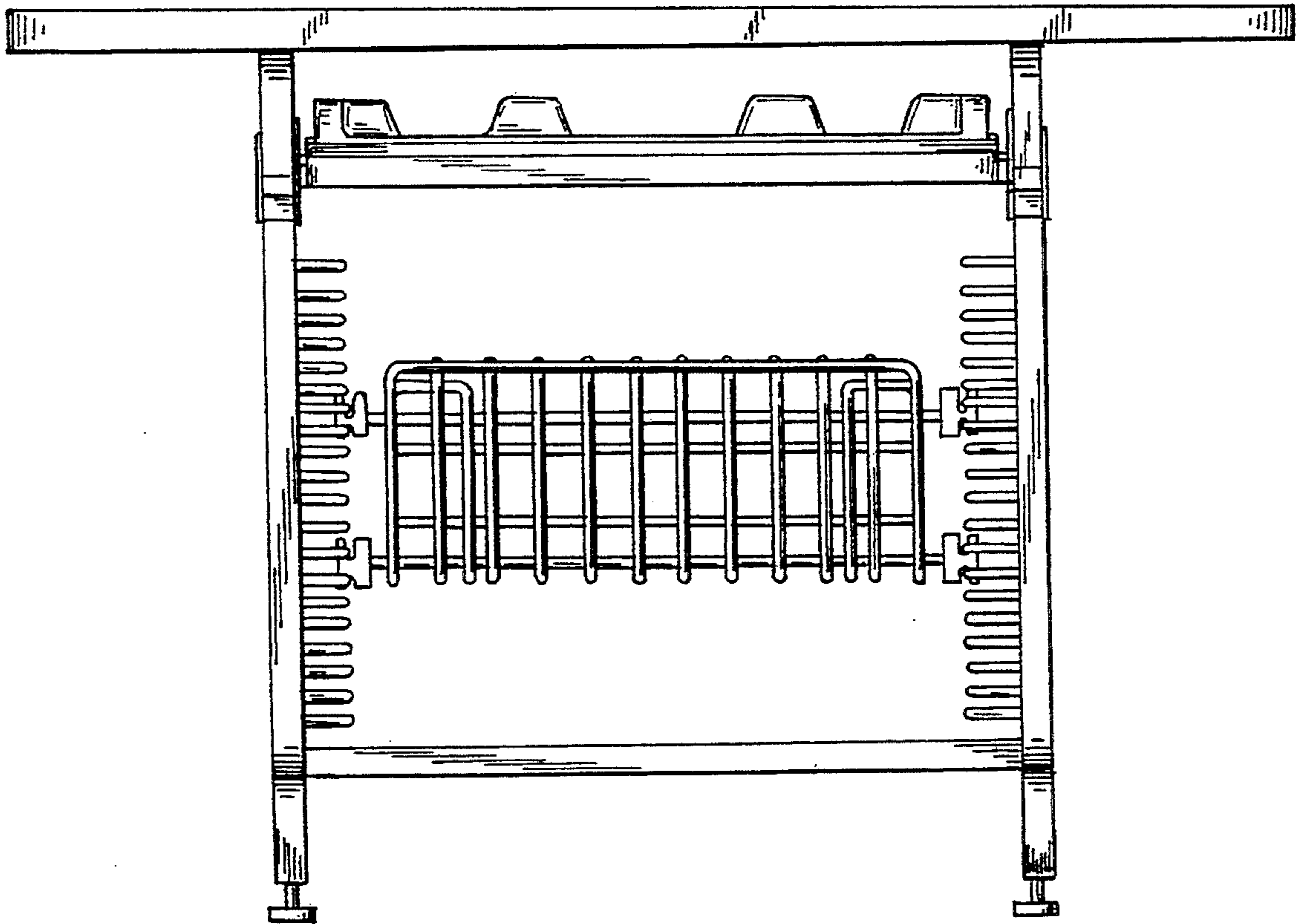


FIG. 3

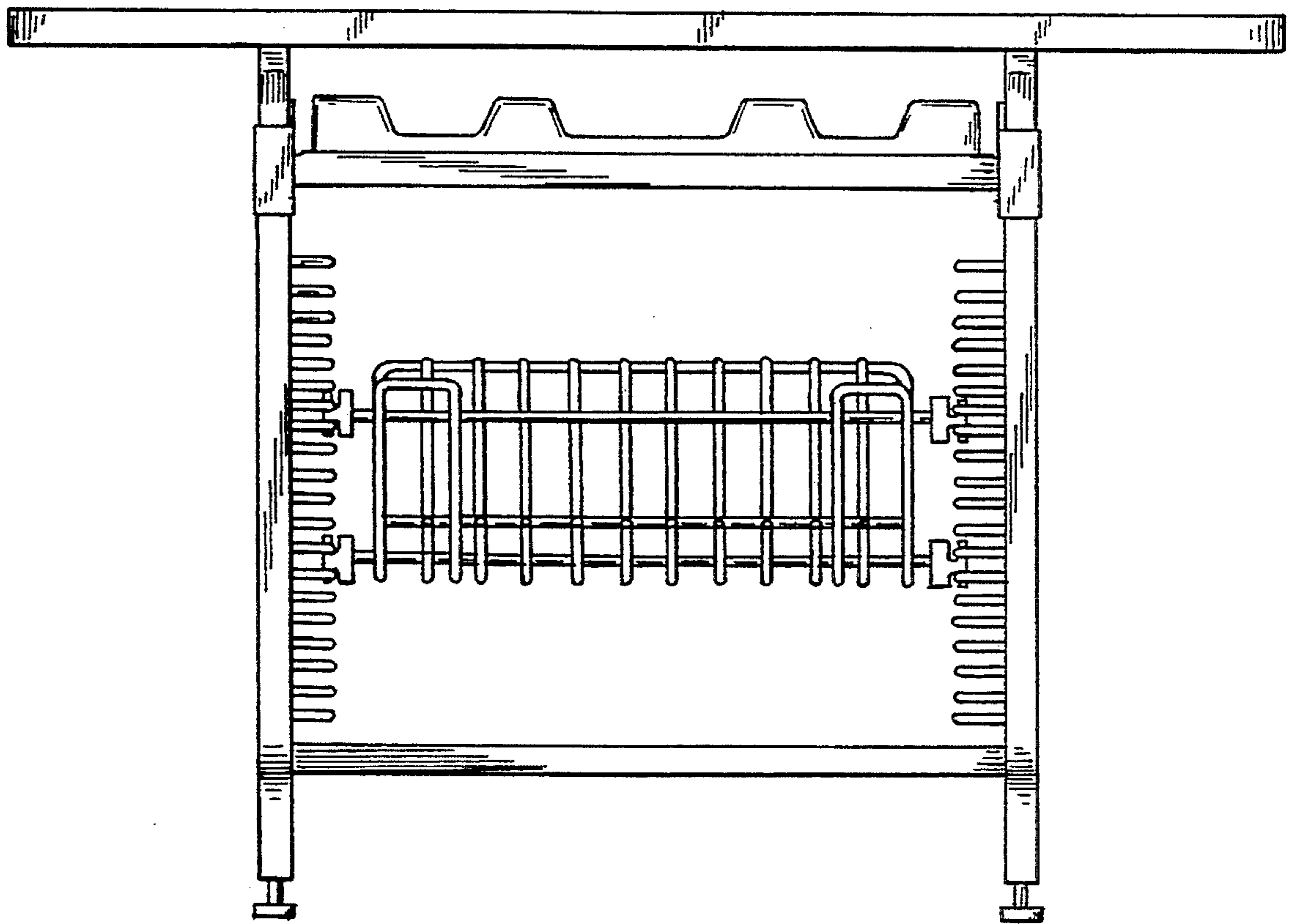


FIG. 4

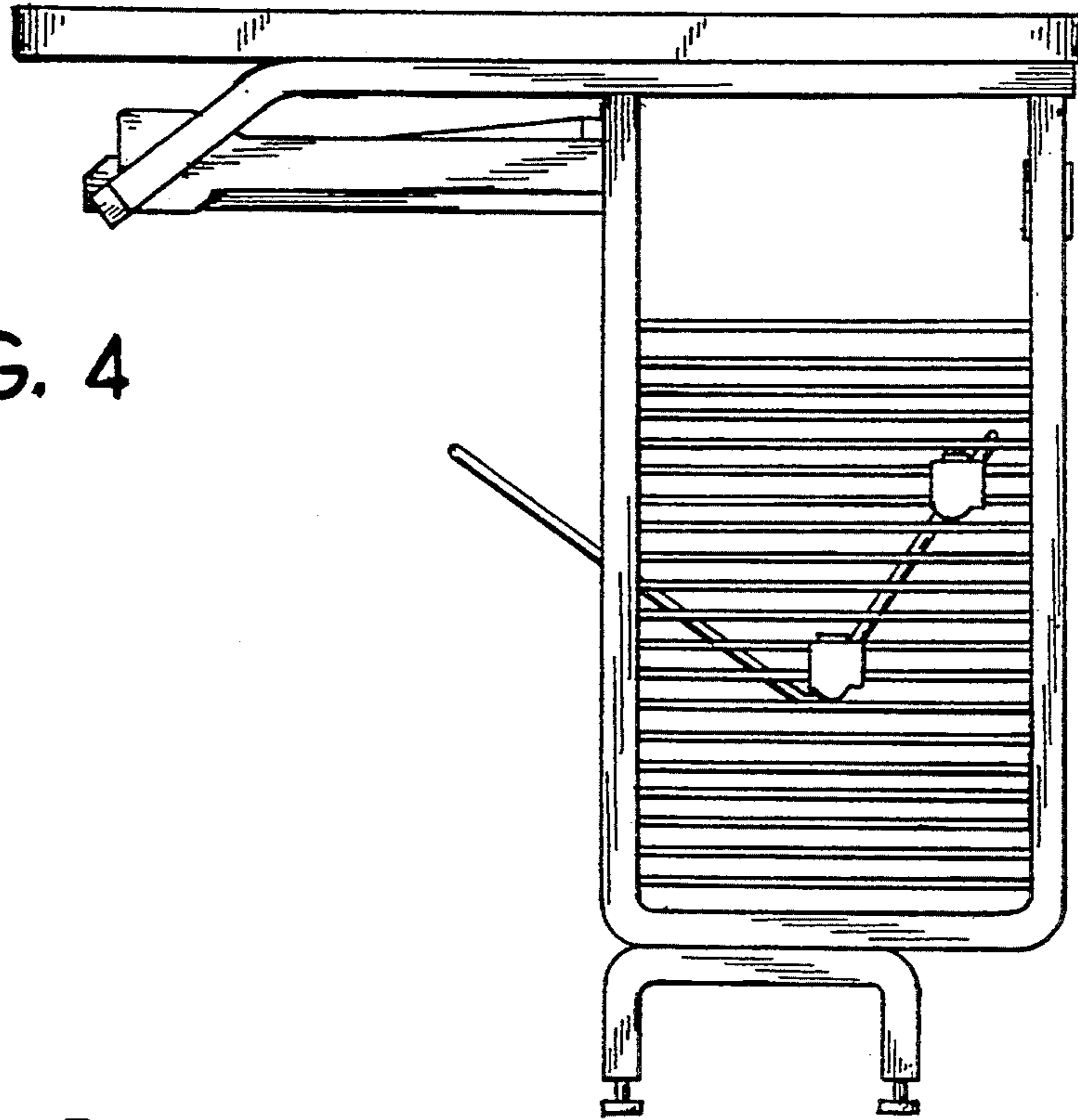


FIG. 5

