



US00D360541S

# United States Patent [19]

[11] Patent Number: **Des. 360,541**

Natuzzi et al.

[45] Date of Patent: **\*\* Jul. 25, 1995**

[54] SOFA

[75] Inventors: **Pasquale Natuzzi; Raffaella Lucarelli**, both of Santeramo In Colle, Italy

[73] Assignee: **Industrie Natuzzi S.p.A.**, Bari, Italy

[\*\*] Term: **14 Years**

[21] Appl. No.: **18,396**

[22] Filed: **Feb. 4, 1994**

[52] U.S. Cl. .... **D6/381**

[58] Field of Search ..... **D6/334, 335, 336, 364, D6/371, 373, 381, 500, 501, 502; 297/232**

### [56] References Cited

#### U.S. PATENT DOCUMENTS

D. 327,588 7/1992 Harmon ..... D6/381  
D. 349,613 8/1994 Greene ..... D6/381

#### OTHER PUBLICATIONS

Schweiger Industries, Sofa #04783-1166 at right.  
Schweiger, Sofa #04878-1166 at left.  
Natuzzi Model No. 410 Oct. 1987 at International Home Furnishings Market in High Point, N.C.  
Natuzzi Model Nos. 451, 614/615 Oct. 1988 at International Home Furnishings Market in High Point, N.C.  
Natuzzi Model No. 627 Oct. 1989 at International Home Furnishings Market in High Point, N.C.

Natuzzi Model Nos. 769, 789, 801 Oct. 1990 at International Home Furnishings Market in High Point, N.C.  
Natuzzi Model No. 825 Nov. 1990.  
Natuzzi Model No. 835 Apr. 1991 at International Home Furnishings Market in High Point, N.C.  
Natuzzi Model Nos. 864, 871, 882 Oct. 1991 at International Home Furnishings Market in High Point, N.C.  
Natuzzi Model No. 893 Nov. 1991.  
Natuzzi Model Nos. 894, 897, 904, 928 Apr. 1992 at International Home Furnishings Market in High Point, N.C.  
Natuzzi Model Nos. 955, 957, 963 Sep. 1992 at International Home Furnishings Market in High Point, N.C.  
Natuzzi Model No. 989 Oct. 1992 at International Home Furnishings Market in High Point, N.C.  
Natuzzi Model Nos. 1003, 1005 Apr. 1993 at International Home Furnishings Market in High Point, N.C.

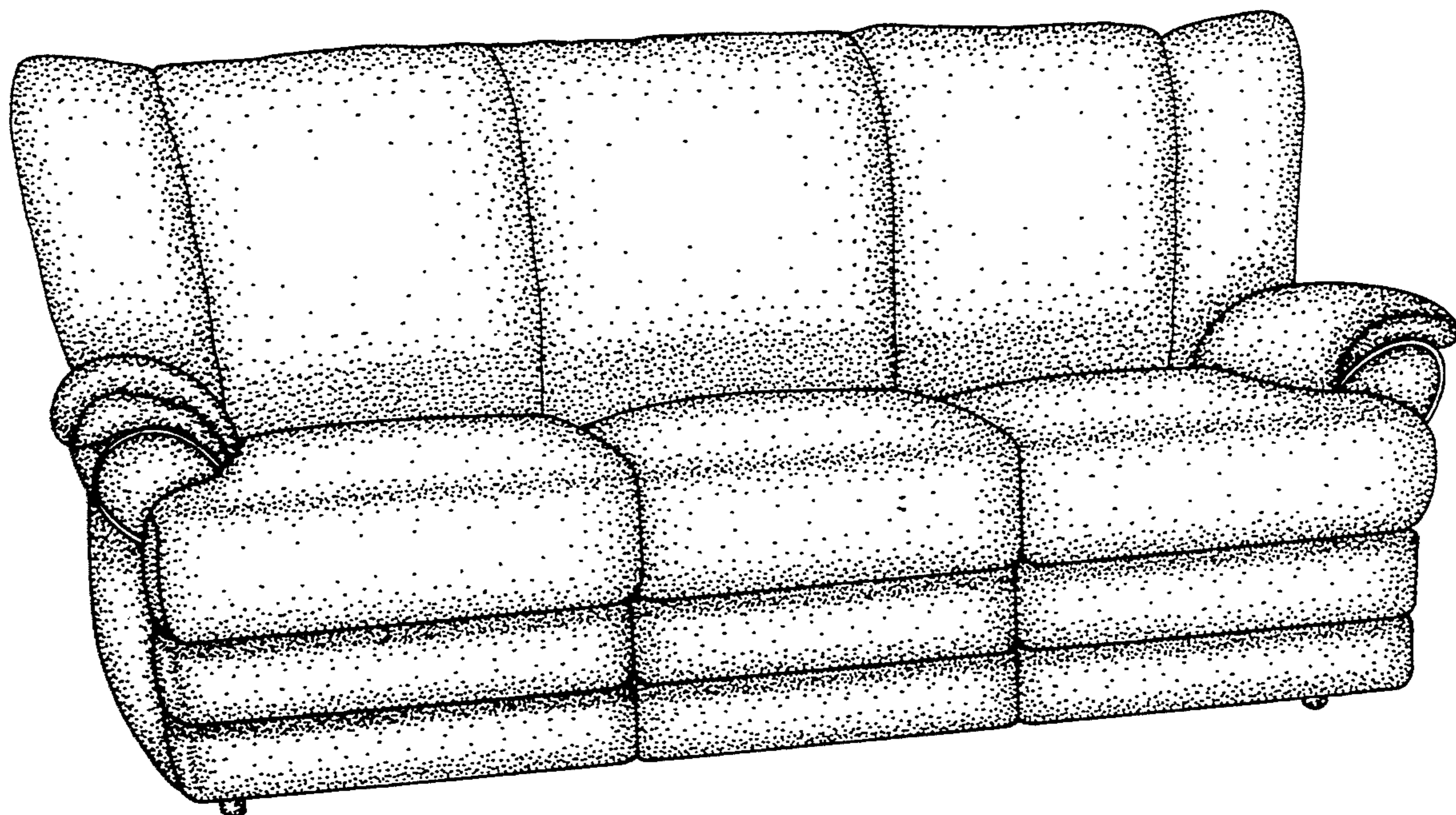
*Primary Examiner*—Alan P. Douglas  
*Assistant Examiner*—Gary D. Watson  
*Attorney, Agent, or Firm*—Bell, Seltzer, Park & Gibson

### [57] CLAIM

The ornamental design for a sofa, as shown and described.

### DESCRIPTION

FIG. 1 is a perspective view of a sofa showing our new design;  
FIG. 2 is a right side elevational view, and the left side elevational view being a mirror image thereof;  
FIG. 3 is a top plan view; and,  
FIG. 4 is a rear perspective view.



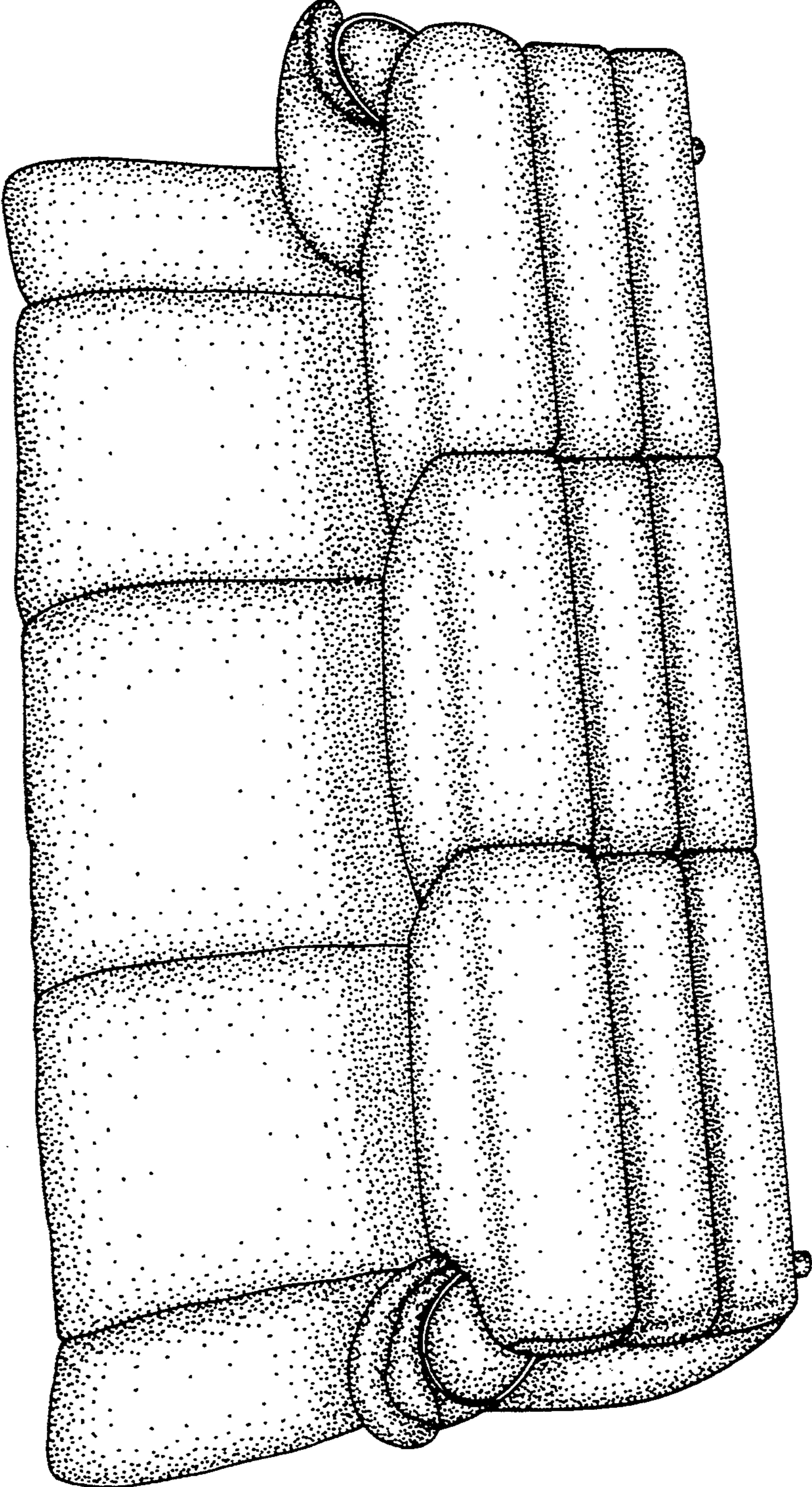
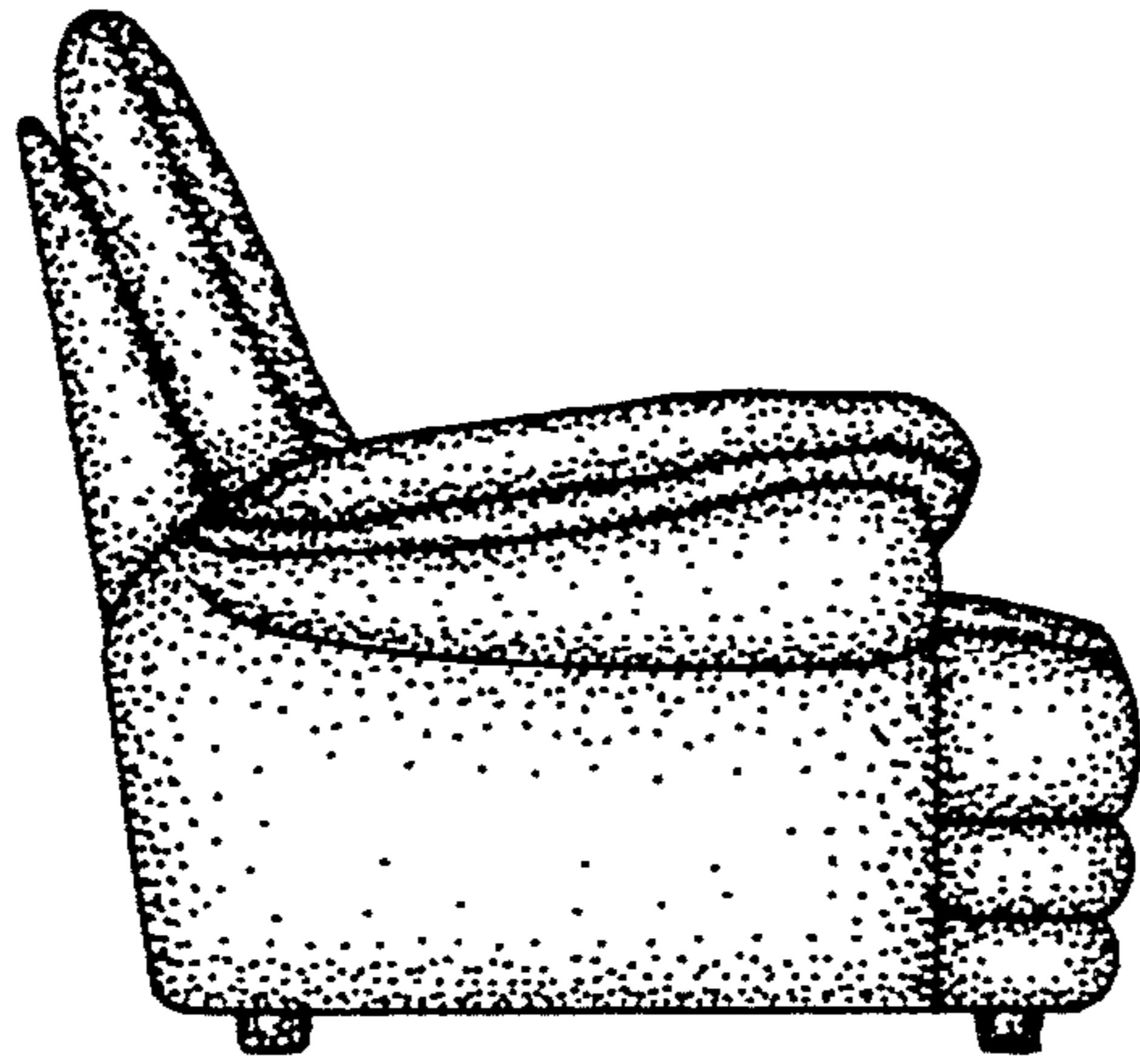
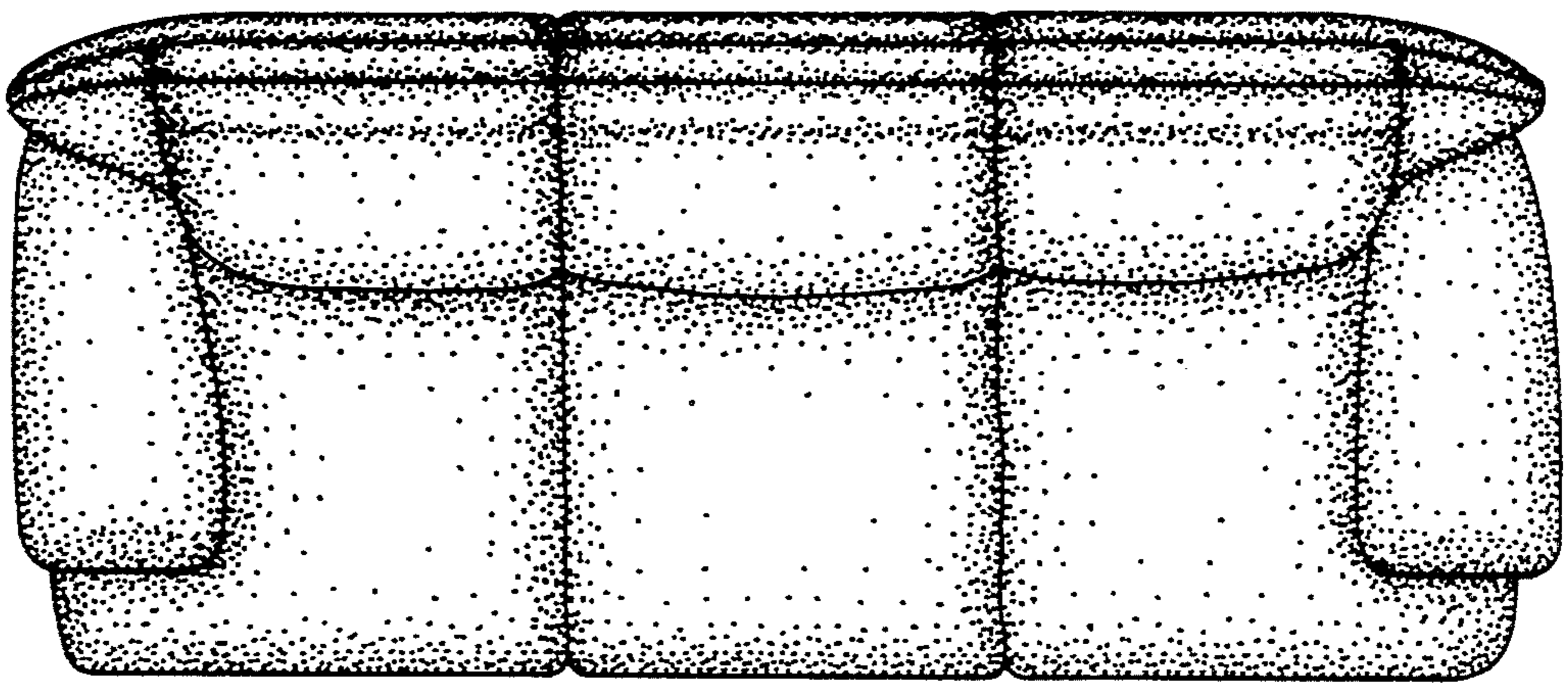


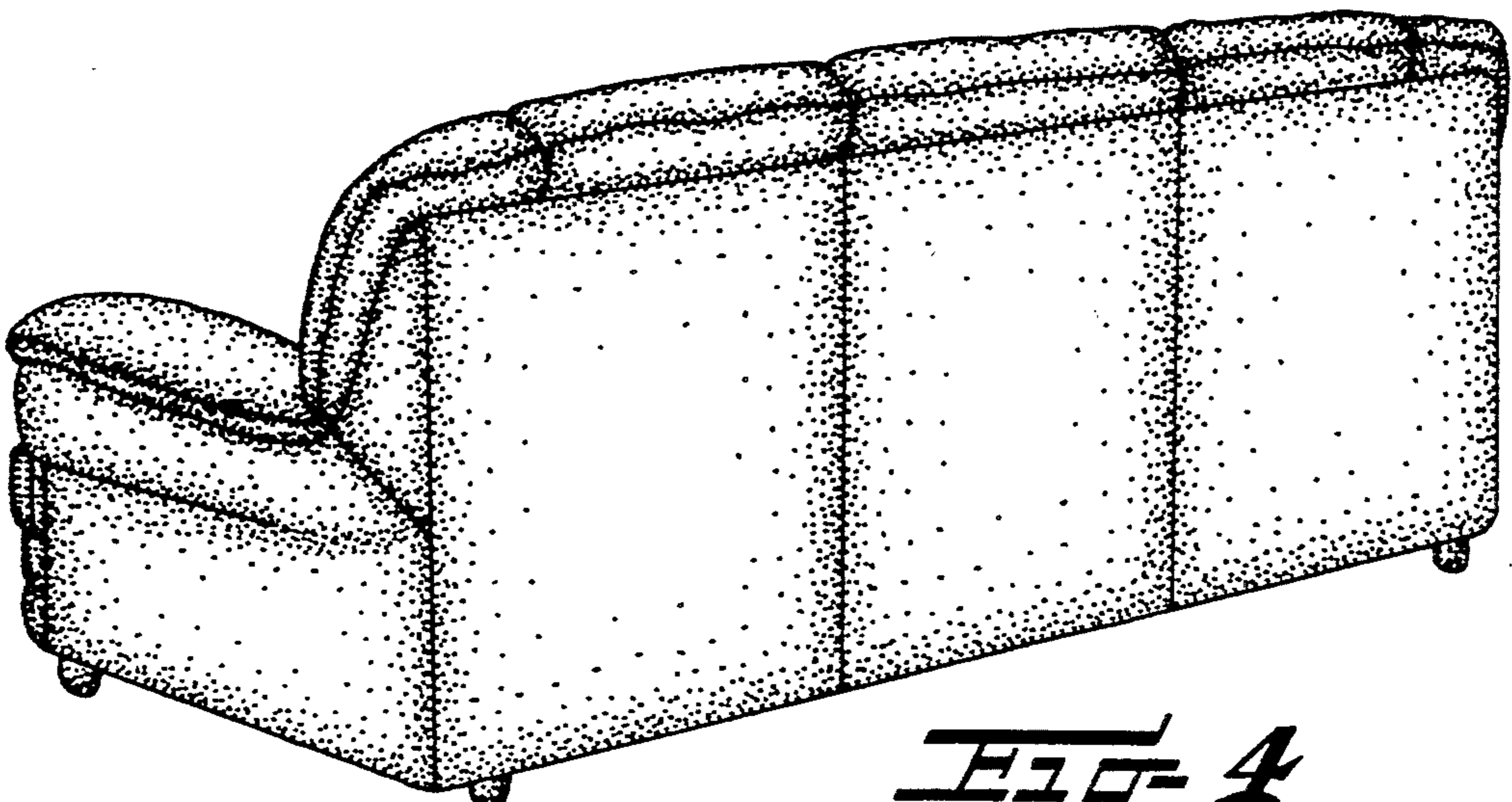
FIG. 1



**FIG- 2**



**FIG- 3**



**FIG- 4**