



US00D360538S

# United States Patent [19]

[11] Patent Number: Des. 360,538

Skalka

[45] Date of Patent: \*\* Jul. 25, 1995

[54] BENCH

[75] Inventor: Gerald P. Skalka, Potomac, Md.

[73] Assignee: Victor Stanley, Inc., Dunkirk, Md.

[\*\*] Term: 14 Years

[21] Appl. No.: 19,383

[22] Filed: Mar. 1, 1994

[52] U.S. Cl. .... D6/370; D6/373;  
D6/381

[58] Field of Search ..... D6/334, 335, 370, 371,  
D6/373, 374, 375, 376, 379, 380, 381, 500, 501,  
502; 297/232

[56] **References Cited**

**U.S. PATENT DOCUMENTS**

D. 229,591	12/1973	Trail et al. ....	D6/370
D. 263,353	3/1982	Beals .....	D6/370
D. 279,242	6/1985	Jernigan .....	D6/370
D. 327,586	7/1992	Skalka .....	D6/370
D. 341,267	11/1993	Caldwell .....	D6/381
D. 345,869	4/1994	Grosfillex .....	D6/381

*Primary Examiner*—Alan P. Douglas  
*Assistant Examiner*—Gary D. Watson  
*Attorney, Agent, or Firm*—Popham, Haik, Schnobrich & Kaufman, Ltd.

[57] **CLAIM**

The ornamental design for a bench, as shown and described.

**DESCRIPTION**

FIG. 1 is a perspective view of a bench showing a first embodiment of my new design;

FIG. 2 is a right side elevational view of the bench of FIG. 1, the left side elevational view being a mirror image thereof;

FIG. 3 is a front elevational view of the bench of FIG. 1;

FIG. 4 is a rear elevational view of the bench of FIG. 1;

FIG. 5 is a bottom plan view of the bench of FIG. 1;

FIG. 6 is a top plan view of the bench of FIG. 1;

FIG. 7 is a perspective view of a bench showing a second embodiment of my new design;

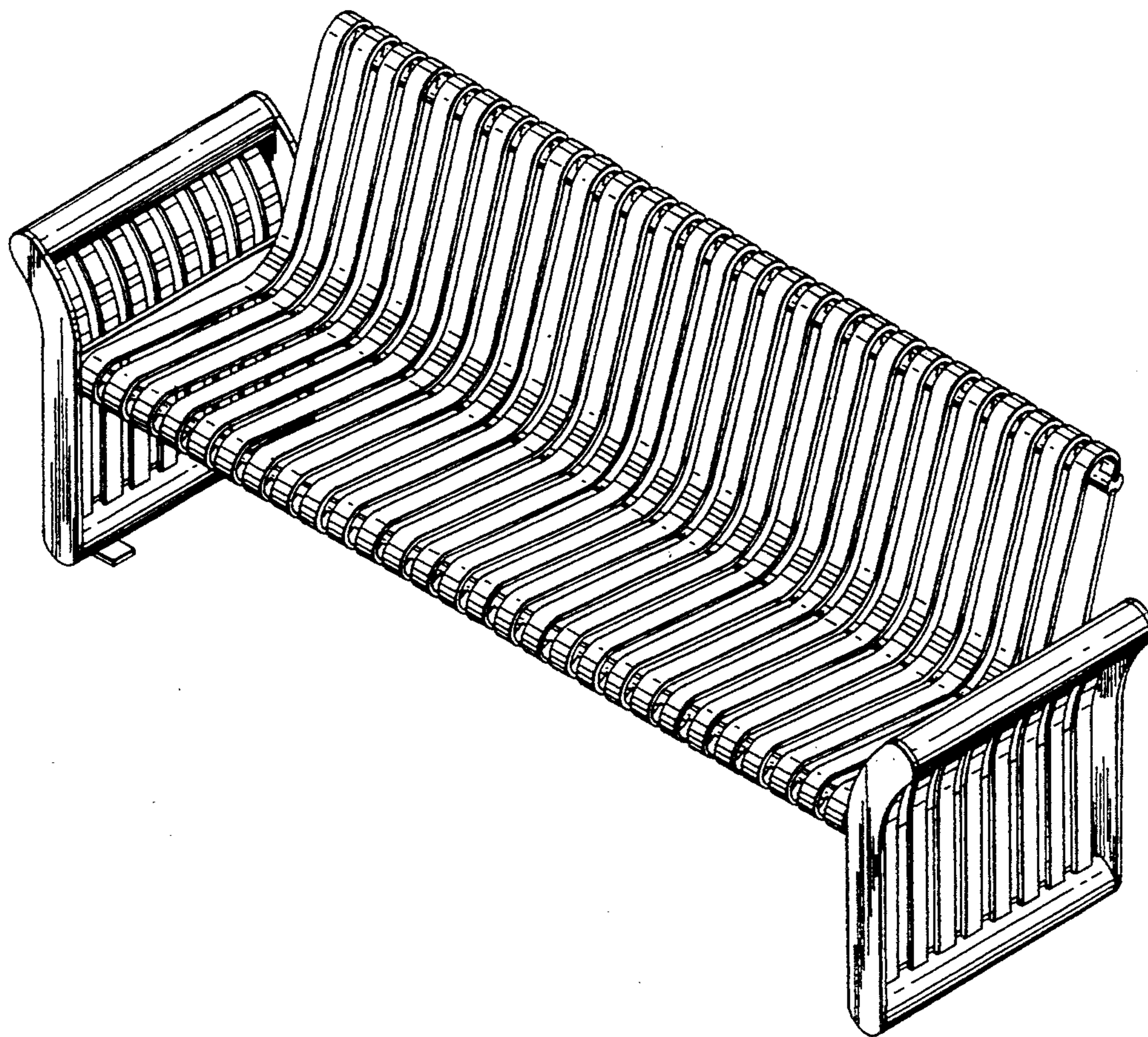
FIG. 8 is a right side elevational view of the bench of FIG. 7, the left side elevational view being a mirror image thereof;

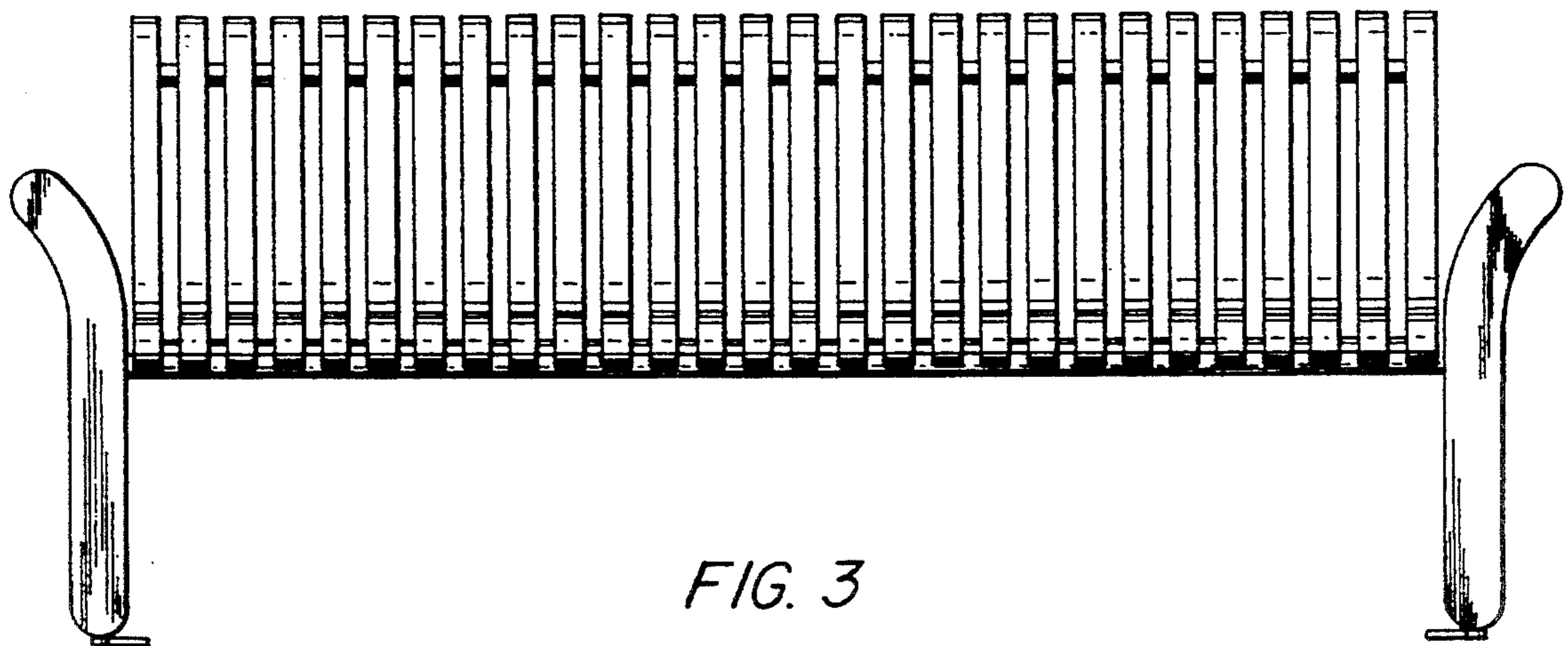
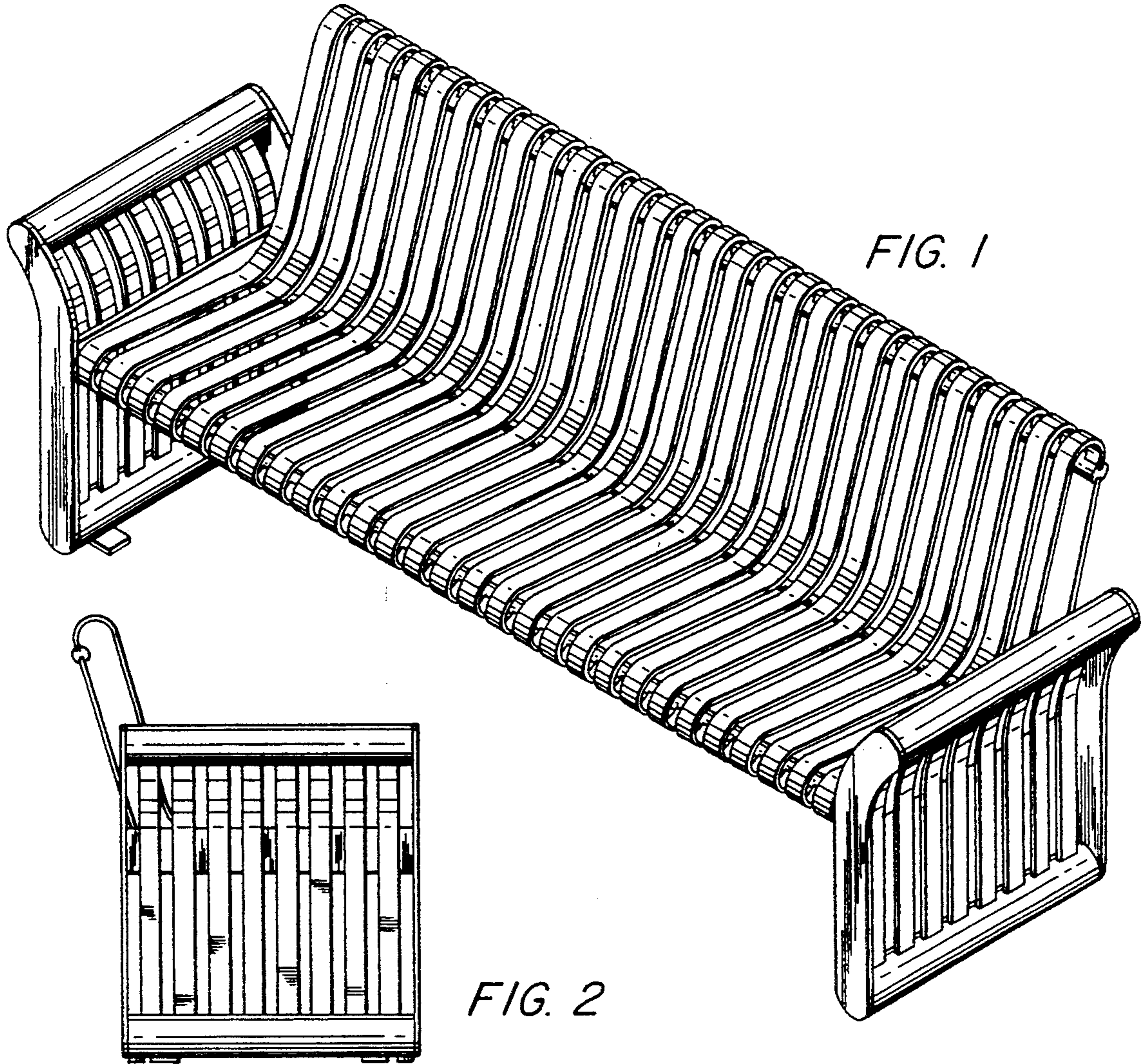
FIG. 9 is a front elevational view of the bench of FIG. 7;

FIG. 10 is a rear elevational view of the bench of FIG. 7;

FIG. 11 is a bottom plan view of the bench of FIG. 7; and,

FIG. 12 is a top plan view of the bench of FIG. 7.





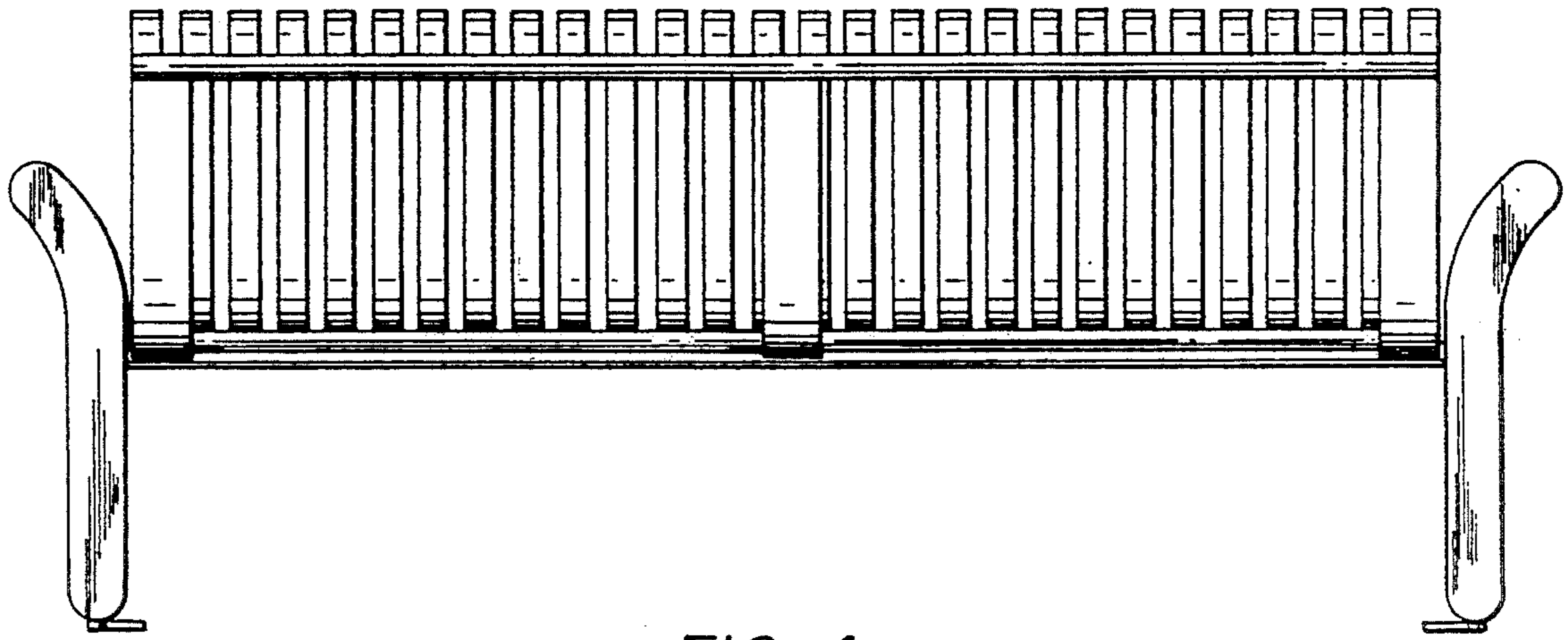


FIG. 4

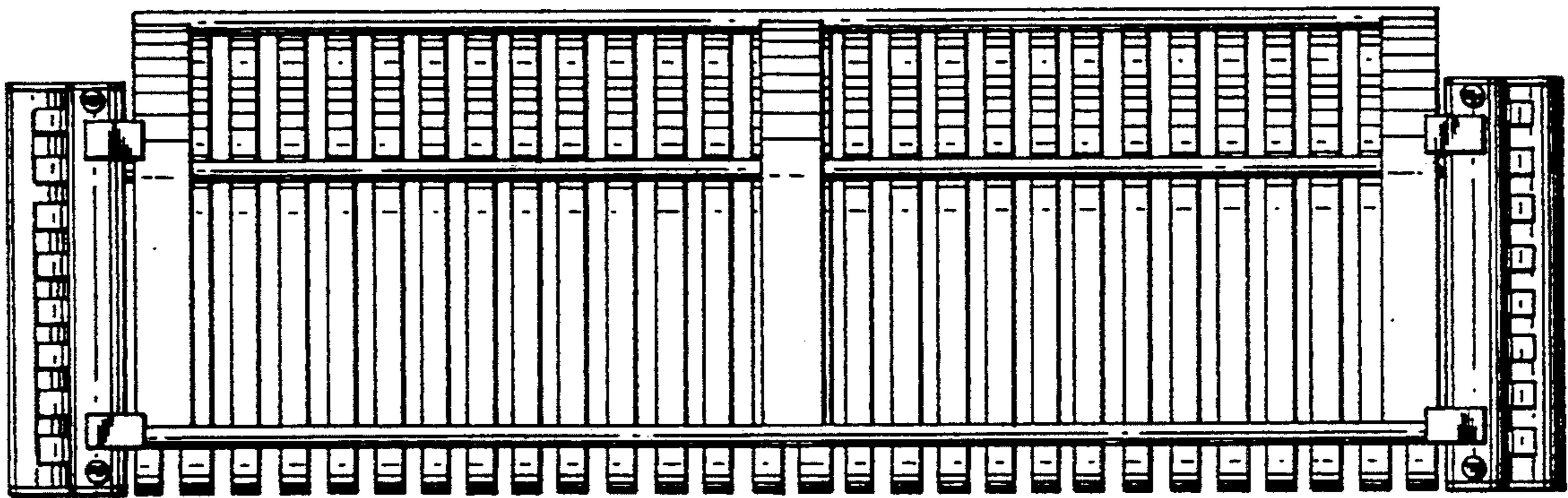
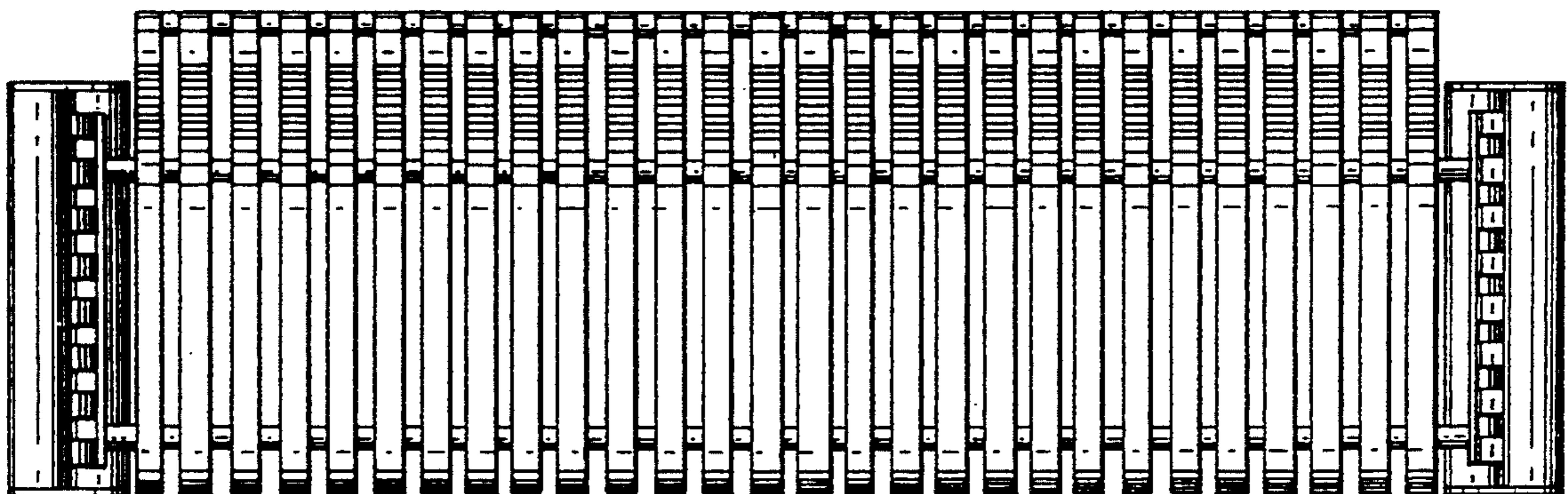


FIG. 5

FIG. 6



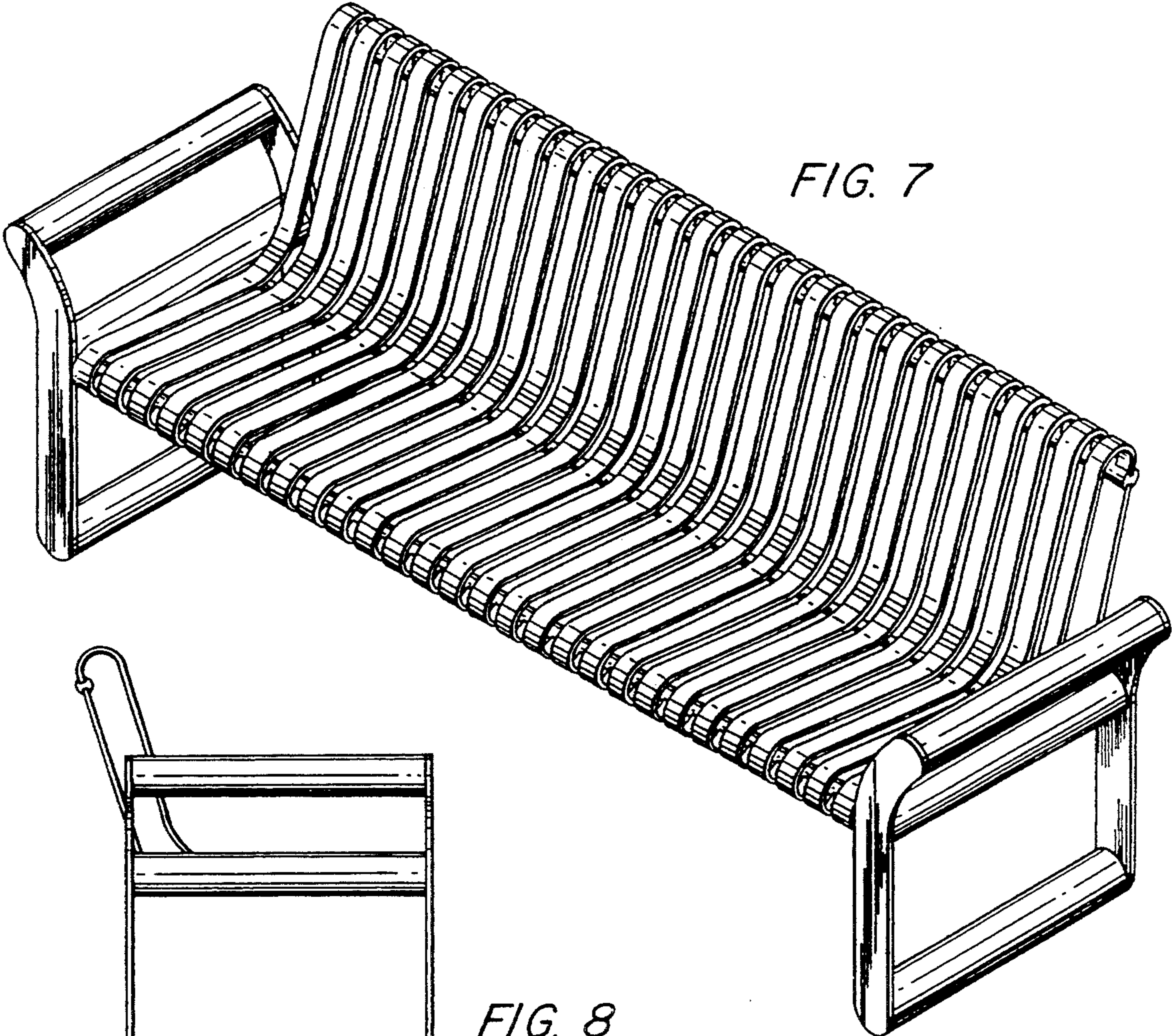


FIG. 7

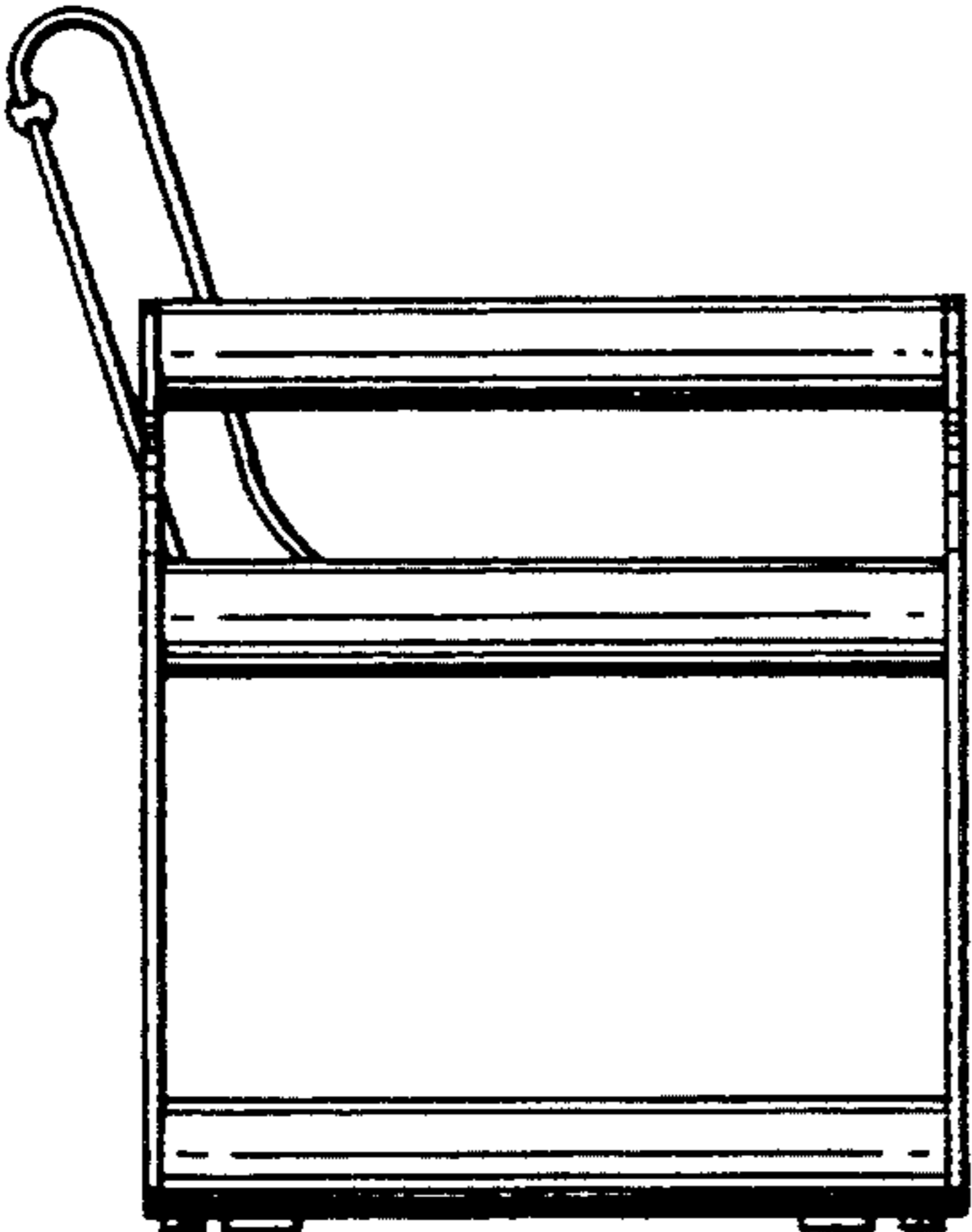


FIG. 8

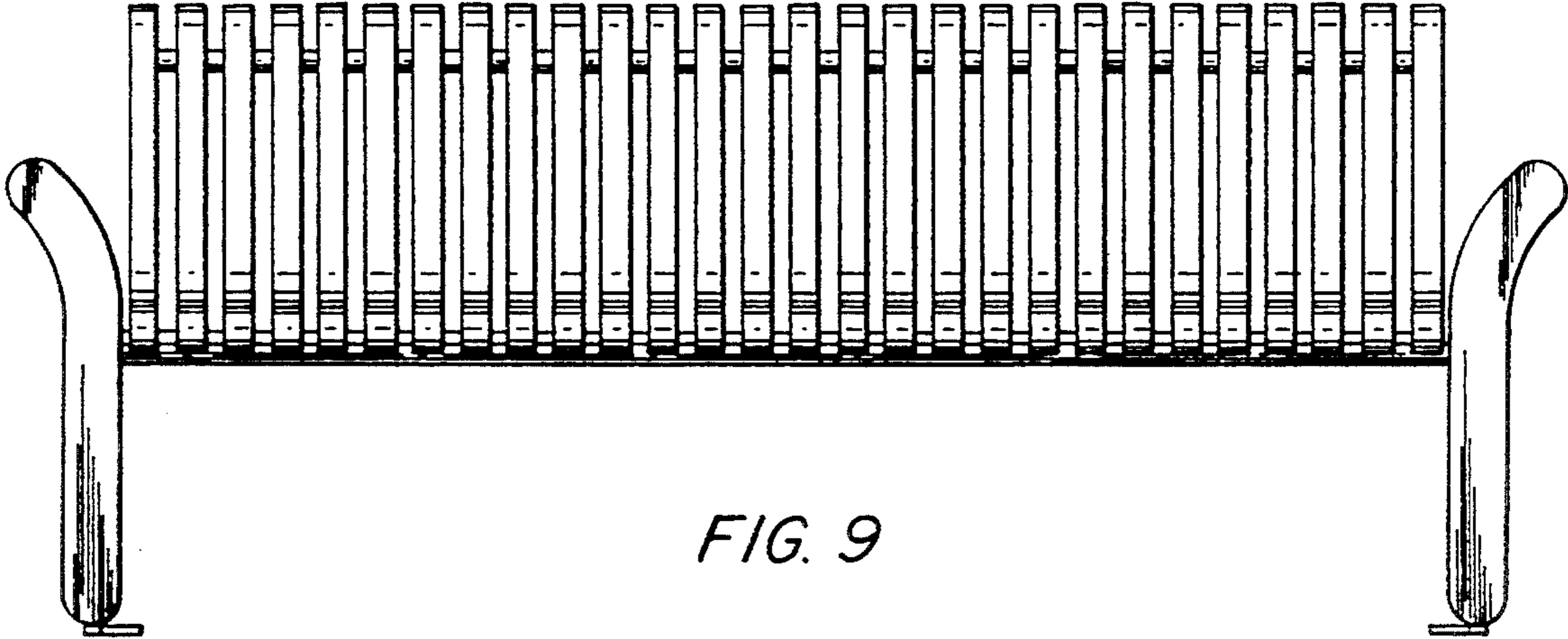


FIG. 9

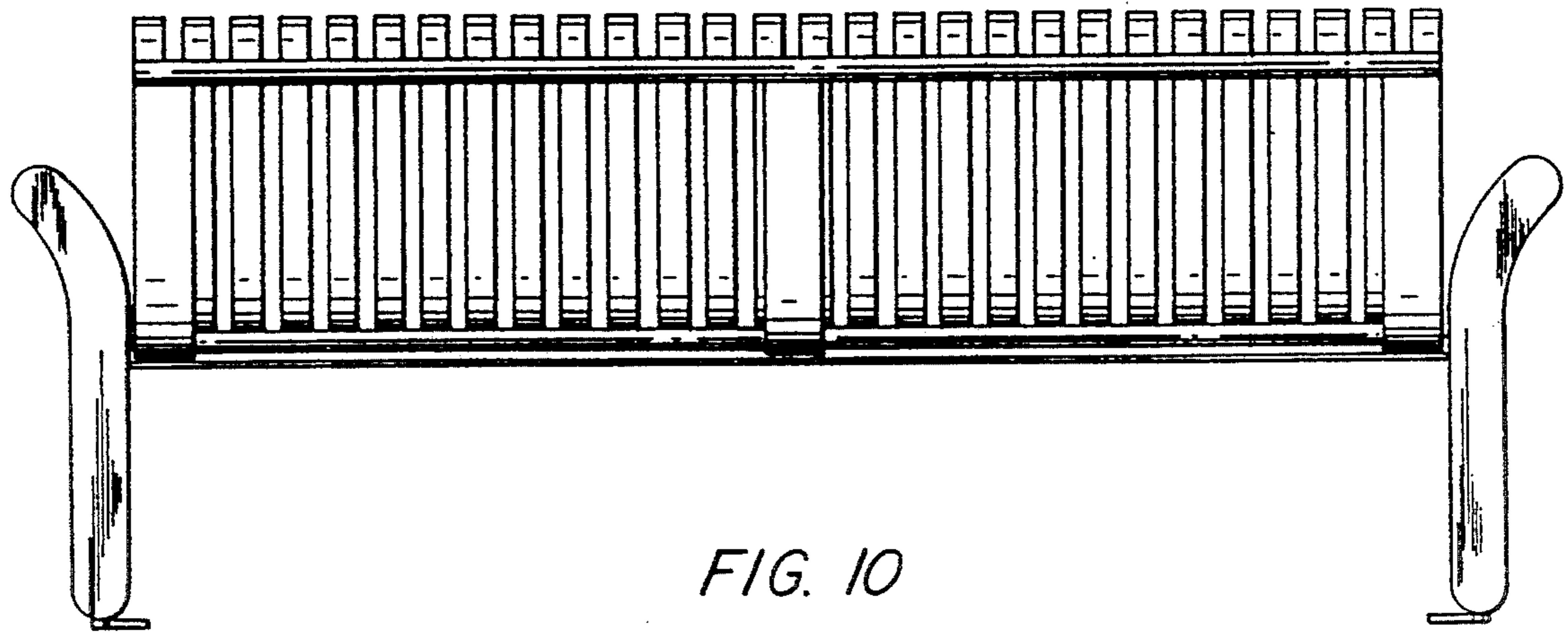


FIG. 10

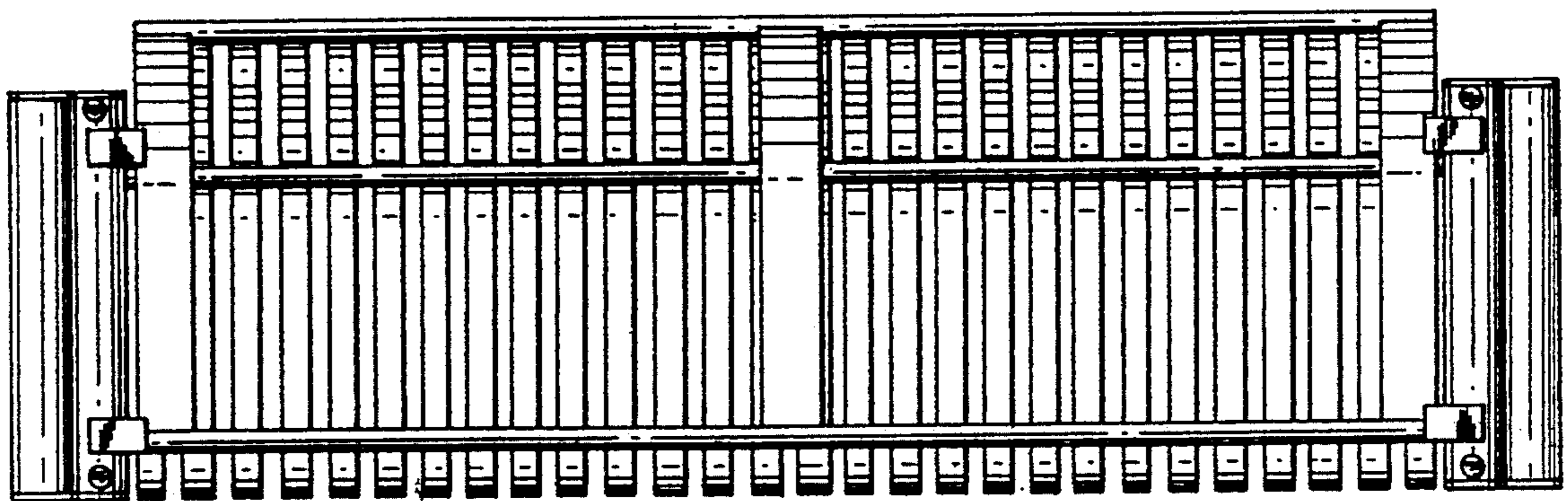


FIG. 11

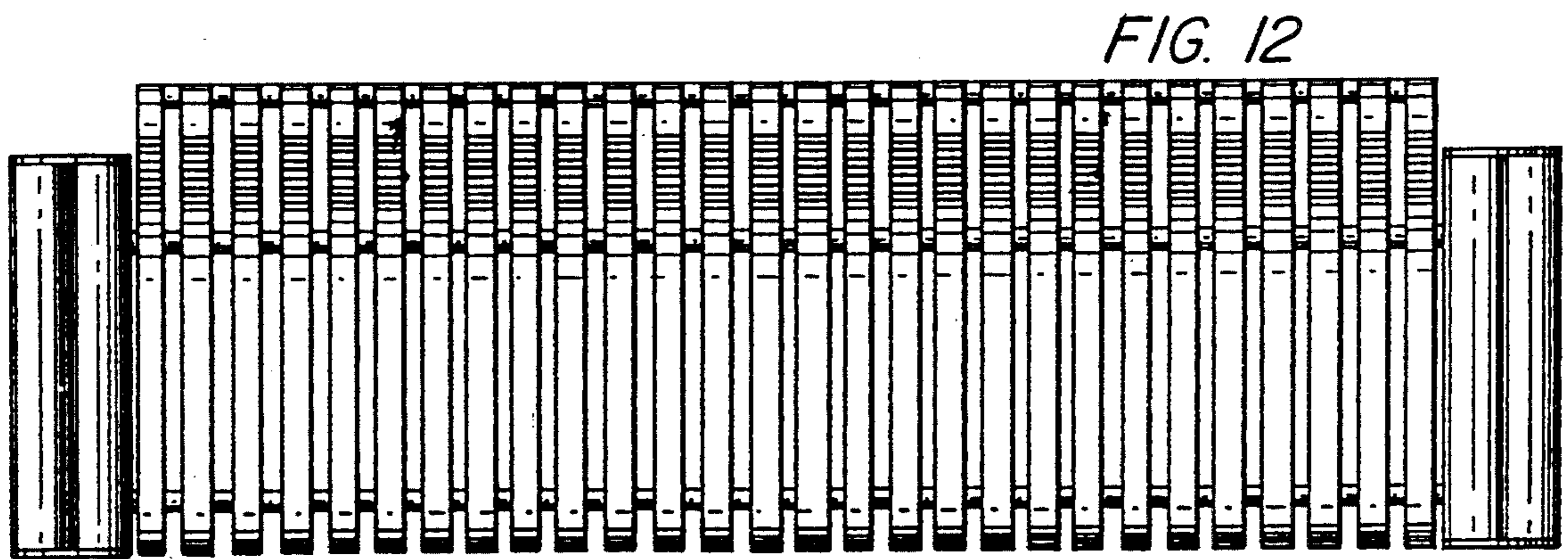


FIG. 12