



US00D360537S

United States Patent [19]

[11] Patent Number: **Des. 360,537**

VanSkiver

[45] Date of Patent: **** Jul. 25, 1995**

[54] **ARMCHAIR**

D. 333,926	3/1993	Hubert	D6/374
D. 335,972	6/1993	Lamalle	D6/379
D. 338,347	8/1993	Hubert	D6/370

[75] Inventor: **Ralph VanSkiver, Arlington, Tex.**

[73] Assignee: **Doskocil Manufacturing Company, Inc., Arlington, Tex.**

[**] Term: **14 Years**

[21] Appl. No.: **23,258**

[22] Filed: **May 20, 1994**

[52] U.S. Cl. **D6/370; D6/379; D6/380**

[58] Field of Search **D6/334, 370, 374, 375, D6/379, 380, 500, 501, 502; 297/411.42, 445, 446, DIG. 2**

OTHER PUBLICATIONS

Weekly Home Furnishings Newspaper, p. 34, Sep. 26, 1988, chair at top right.

Primary Examiner—Alan P. Douglas

Assistant Examiner—Gary D. Watson

Attorney, Agent, or Firm—Andrew J. Dillon

[57] **CLAIM**

The ornamental design for an armchair, as shown and described.

DESCRIPTION

FIG. 1 is a perspective view of the armchair of the present invention;

FIG. 2 is a top view of the armchair of the present invention;

FIG. 3 is a front view of the armchair of the present invention;

FIG. 4 is a side view of the armchair, the opposite side being a mirror image thereof of the present invention;

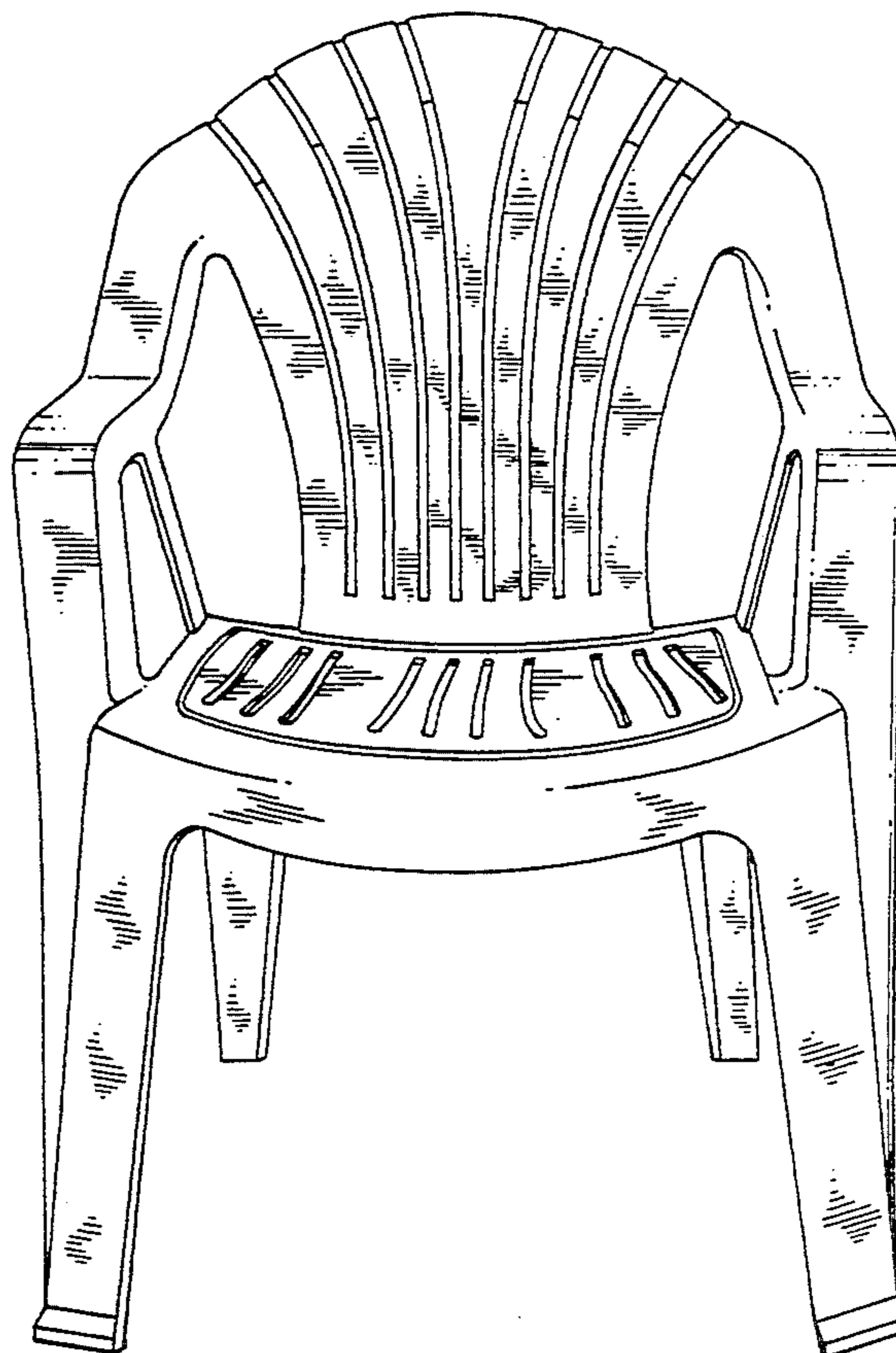
FIG. 5 is a back view of the armchair of the present invention; and,

FIG. 6 is a bottom view of the armchair of the present invention.

[56] **References Cited**

U.S. PATENT DOCUMENTS

D. 234,240	2/1975	Noda et al.	D6/379
D. 274,770	7/1984	Massonnet	D6/375
D. 303,591	9/1989	Grosfillex	D6/370
D. 303,736	10/1989	Grosfillex	D6/379
D. 317,088	5/1991	Grosfillex	D6/379
D. 328,827	8/1992	Grosfillex	D6/370
D. 329,339	9/1992	Grosfillex	D6/370
D. 330,291	10/1992	Grosfillex	D6/370
D. 331,323	12/1992	Grosfillex	D6/370
D. 331,324	12/1992	Grosfillex	D6/375



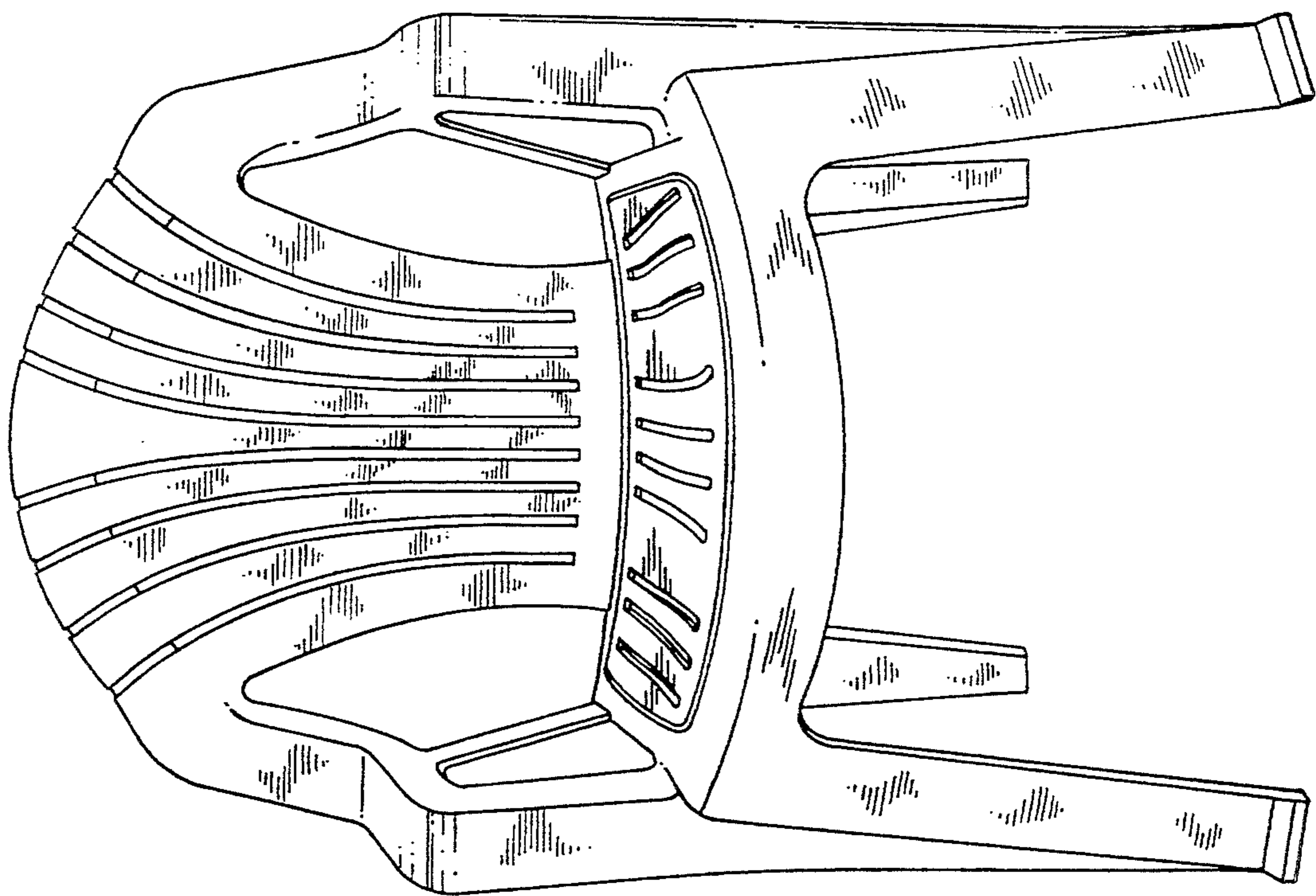


Fig. 1

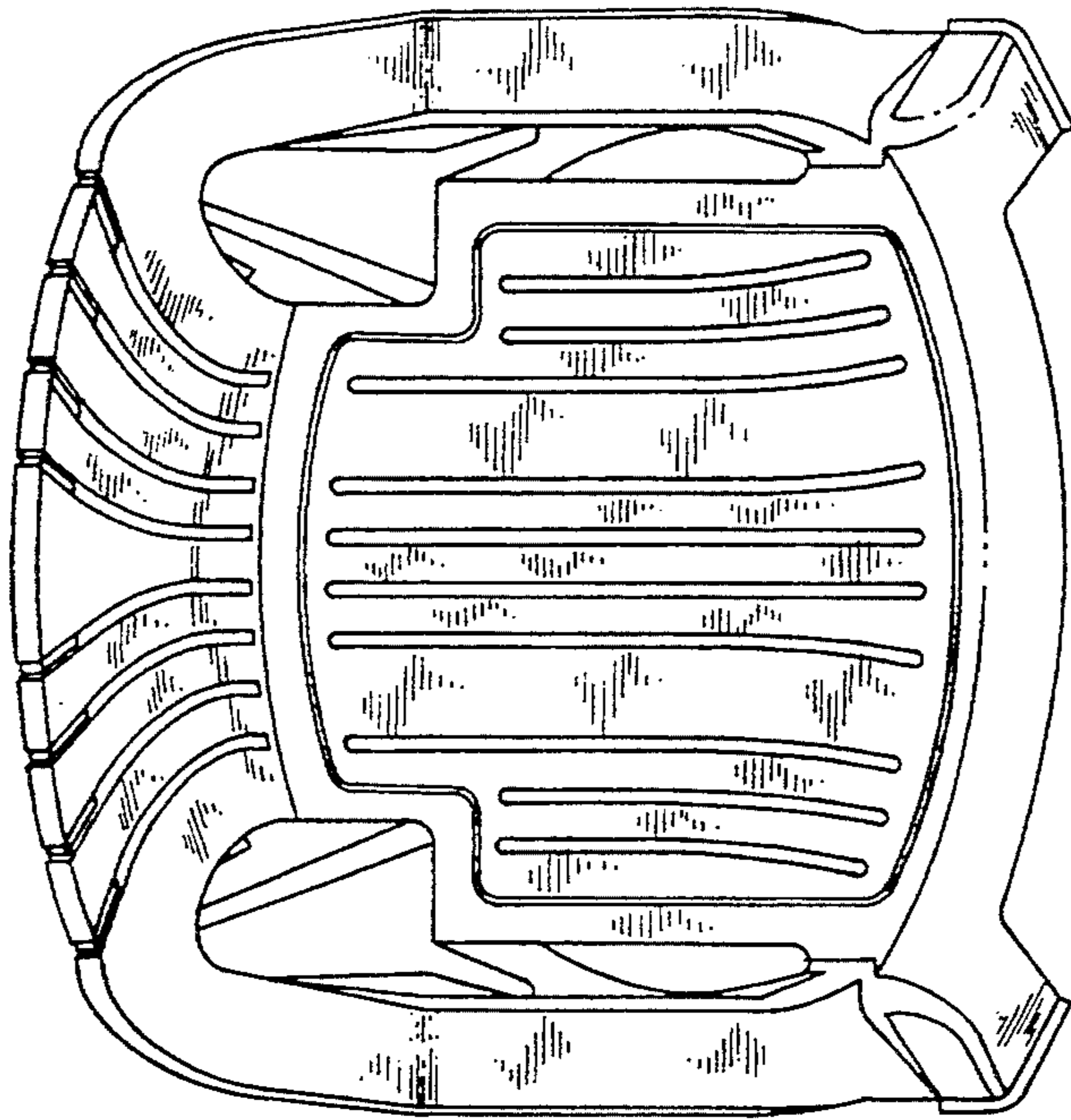


Fig. 2

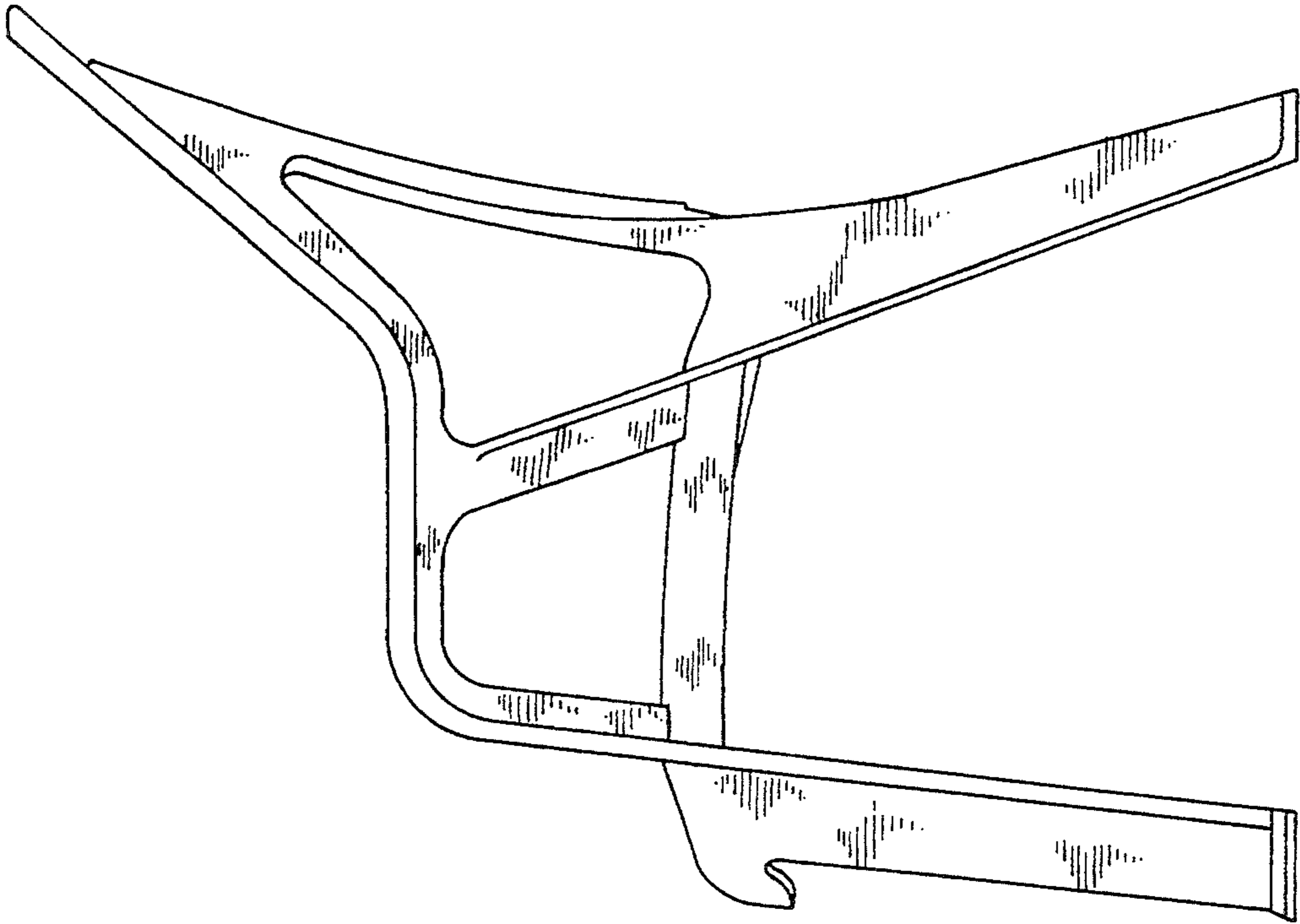


Fig. 3

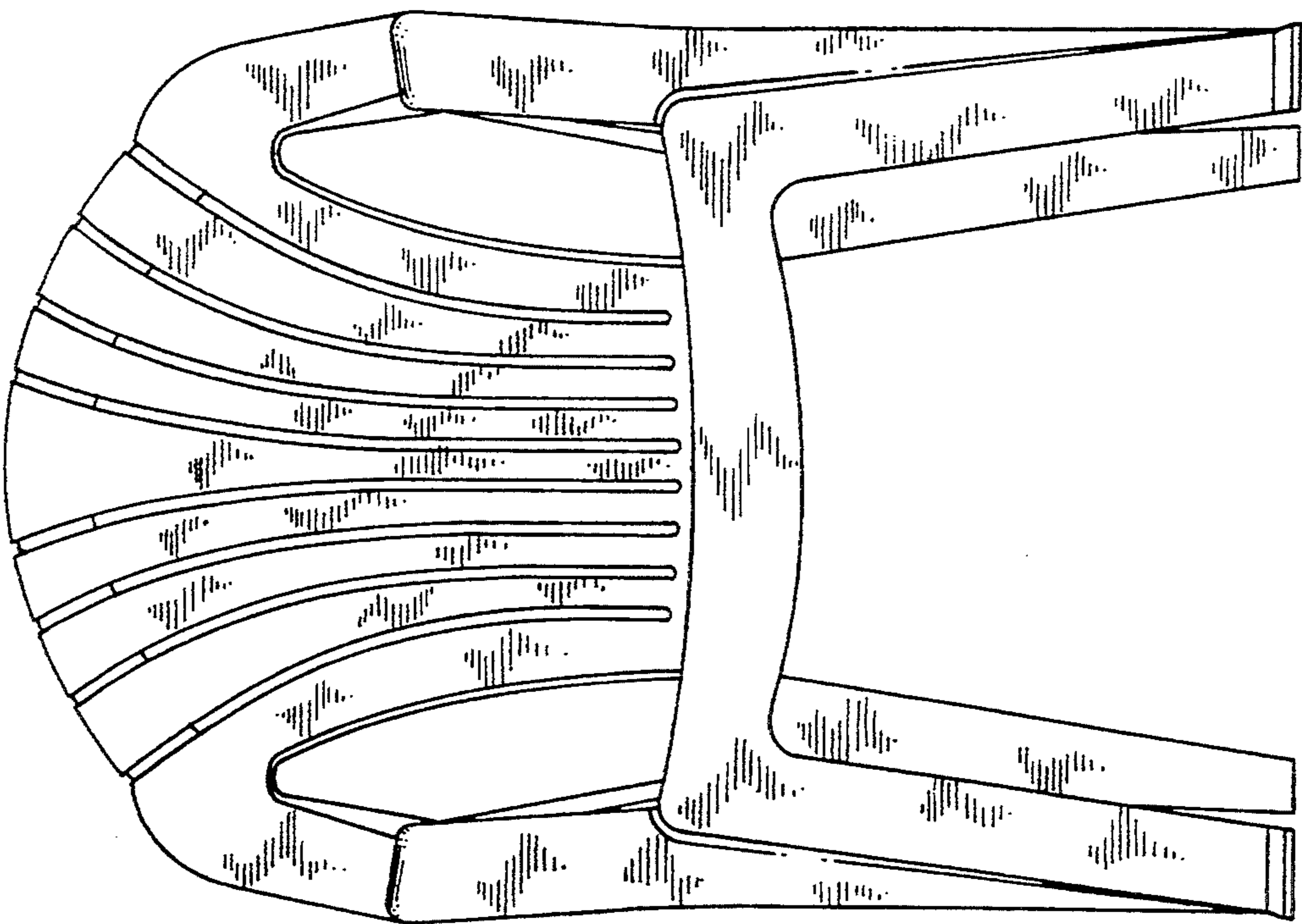


Fig. 4

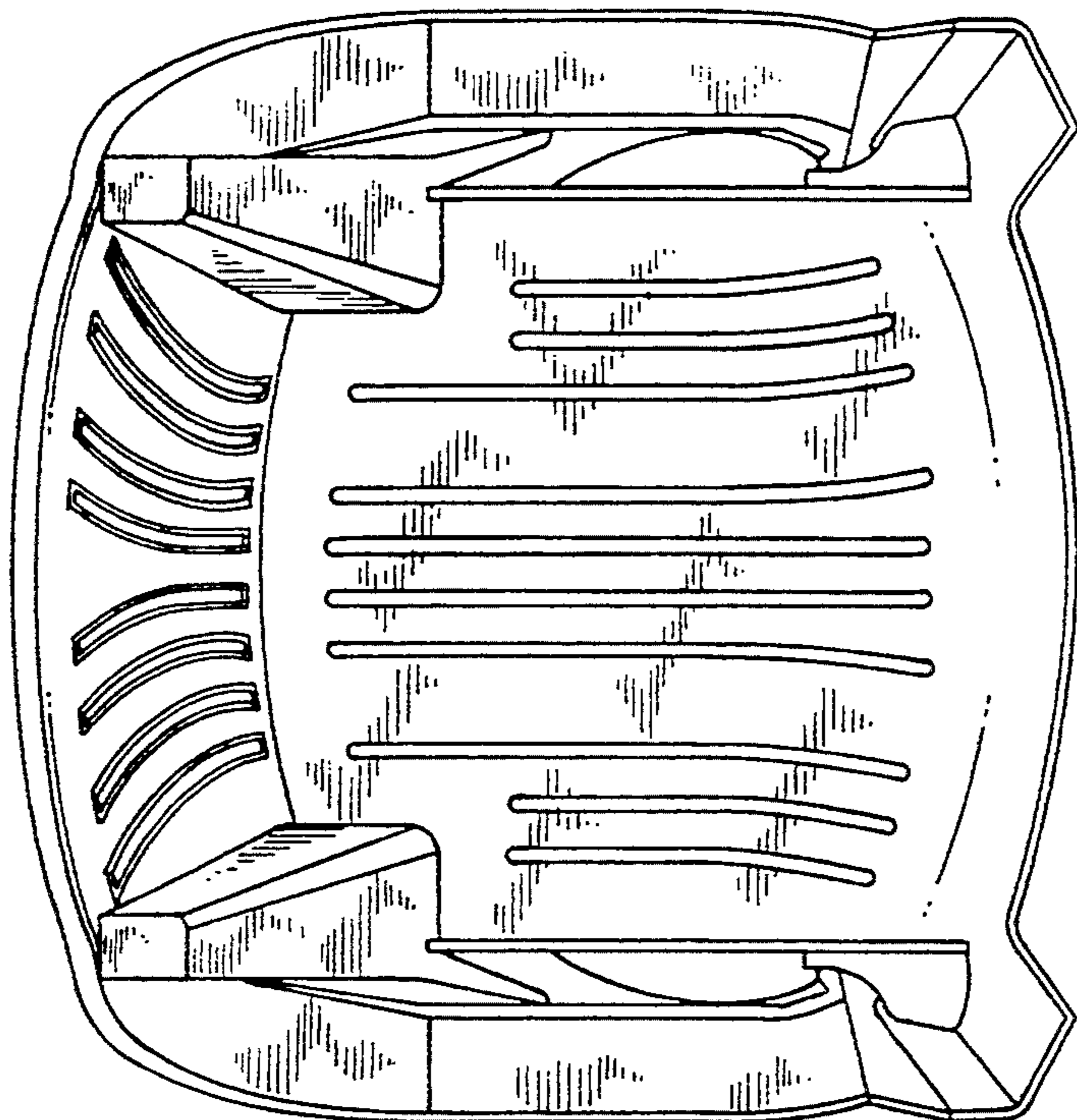


Fig. 6

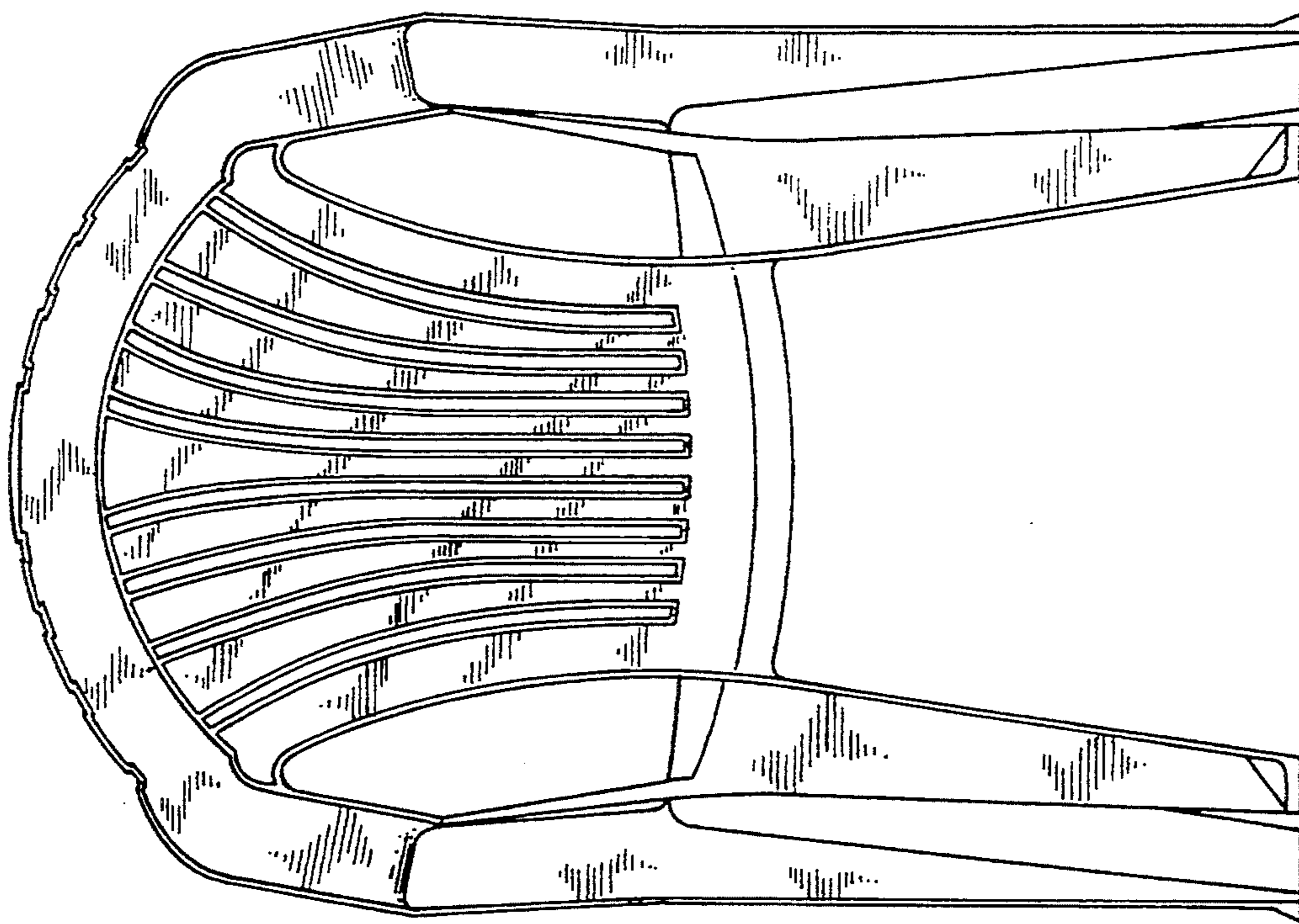


Fig. 5