



US00D360535S

# United States Patent [19]

[11] Patent Number: **Des. 360,535**

**Sjöberg**

[45] Date of Patent: **\*\* Jul. 25, 1995**

[54] **COMBINED BEACH CHAIR AND BEACH MATTRESS**

4,736,825	4/1988	Belfi	5/417 X
4,926,512	5/1990	Coyle	D6/368 X
5,042,874	8/1991	Williams	297/377 X
5,199,120	4/1993	Holmes	5/419

[76] Inventor: **Staffan Sjöberg**, Sulfitvägen 4, S-666 00 Bengtsfors, Sweden

*Primary Examiner*—Alan P. Douglas  
*Assistant Examiner*—Gary D. Watson  
*Attorney, Agent, or Firm*—Nixon & Vanderhye

[\*\*] Term: **14 Years**

[21] Appl. No.: **26,580**

[57] **CLAIM**

[22] Filed: **Aug. 1, 1994**

The ornamental design for a combined beach chair and beach mattress, as shown and described.

[30] **Foreign Application Priority Data**

**DESCRIPTION**

Feb. 14, 1994 [SE] Sweden ..... 940332

[52] U.S. Cl. .... **D6/335; D6/368**

[58] Field of Search ..... D6/334, 335, 336, 367, D6/368, 374, 375, 500, 501, 502; 5/417, 418, 419, 420; 297/183.5, 377

FIG. 1 is a top perspective view of a combined beach chair and beach mattress according to my new design, in a completely folded condition;  
 FIG. 2 is a bottom perspective view when in a completely folded condition;  
 FIG. 3 is a different perspective from that of FIG. 2;  
 FIG. 4 is a different perspective from that of FIG. 1;  
 FIG. 5 is a bottom perspective view thereof in a first use position;  
 FIG. 6 is a bottom perspective view thereof in a fully open position;  
 FIG. 7 is a top perspective view thereof when in the fully open position;  
 FIG. 8 is a top front perspective view when in a second use position;  
 FIG. 9 is a top rear perspective view when in a third use position;  
 FIG. 10 is a top perspective view thereof when in the first use position;  
 FIG. 11 is a top front perspective view thereof when in a fourth use position;  
 FIG. 12 is a top rear perspective view thereof when in the fourth use position; and,  
 FIG. 13 is a top front perspective view thereof when in a fifth use position.

[56] **References Cited**

**U.S. PATENT DOCUMENTS**

- D. 216,013 11/1969 Evans .
- D. 216,879 3/1970 Petersen et al. .
- D. 219,377 12/1970 Peery .
- D. 224,859 10/1972 Leitch et al. .
- D. 244,336 5/1977 Stein .
- D. 248,345 7/1978 Stoddard .
- D. 259,752 7/1981 Geschwender .
- D. 274,493 7/1984 Dyby .
- D. 299,988 2/1989 Parabita .
- D. 329,148 9/1992 Hwang et al. .
- D. 337,445 7/1993 Sando .
- D. 343,525 1/1994 Wright .
- D. 346,280 4/1994 Metter .
- 1,915,504 6/1933 Stokby ..... D6/368 X
- 2,304,700 12/1942 Manville ..... 297/183.5 X
- 2,570,571 10/1951 Leeman ..... D6/335 X
- 2,918,682 12/1959 Thoresen et al. .... D6/502 X
- 3,404,915 10/1968 Filho ..... 5/418 X
- 4,687,249 8/1987 Mills ..... D6/335 X

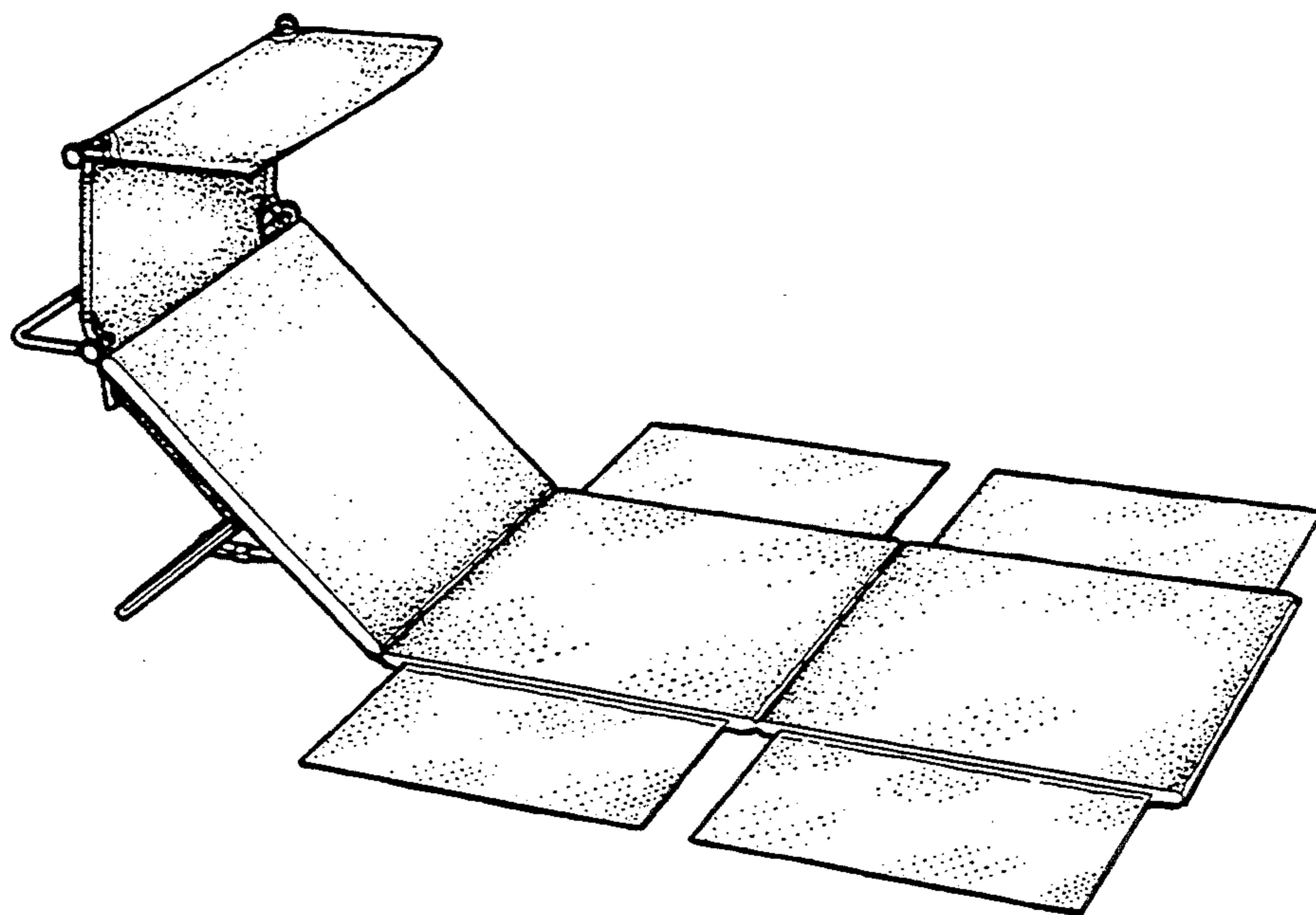


Fig. 1

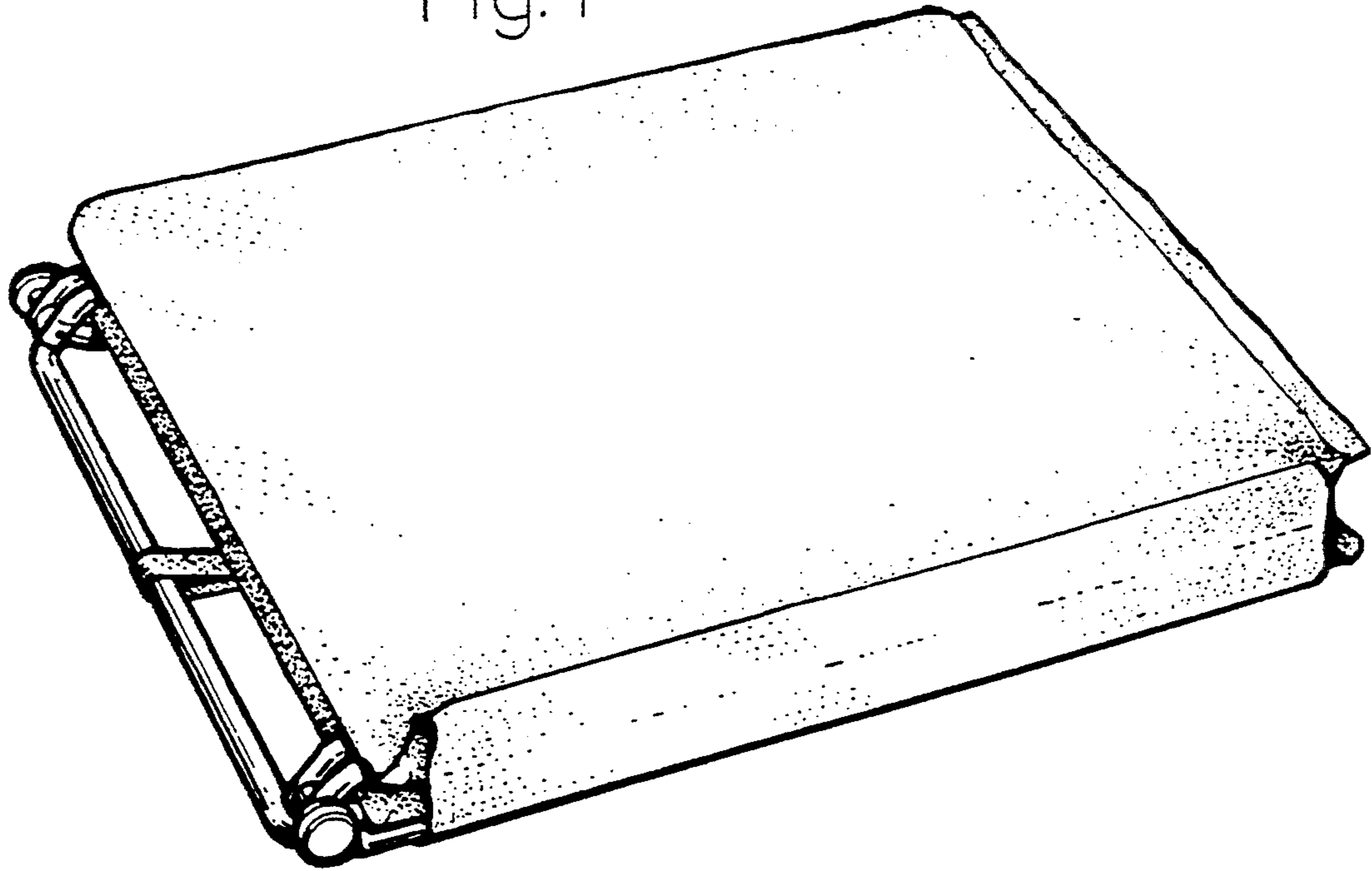


Fig. 2

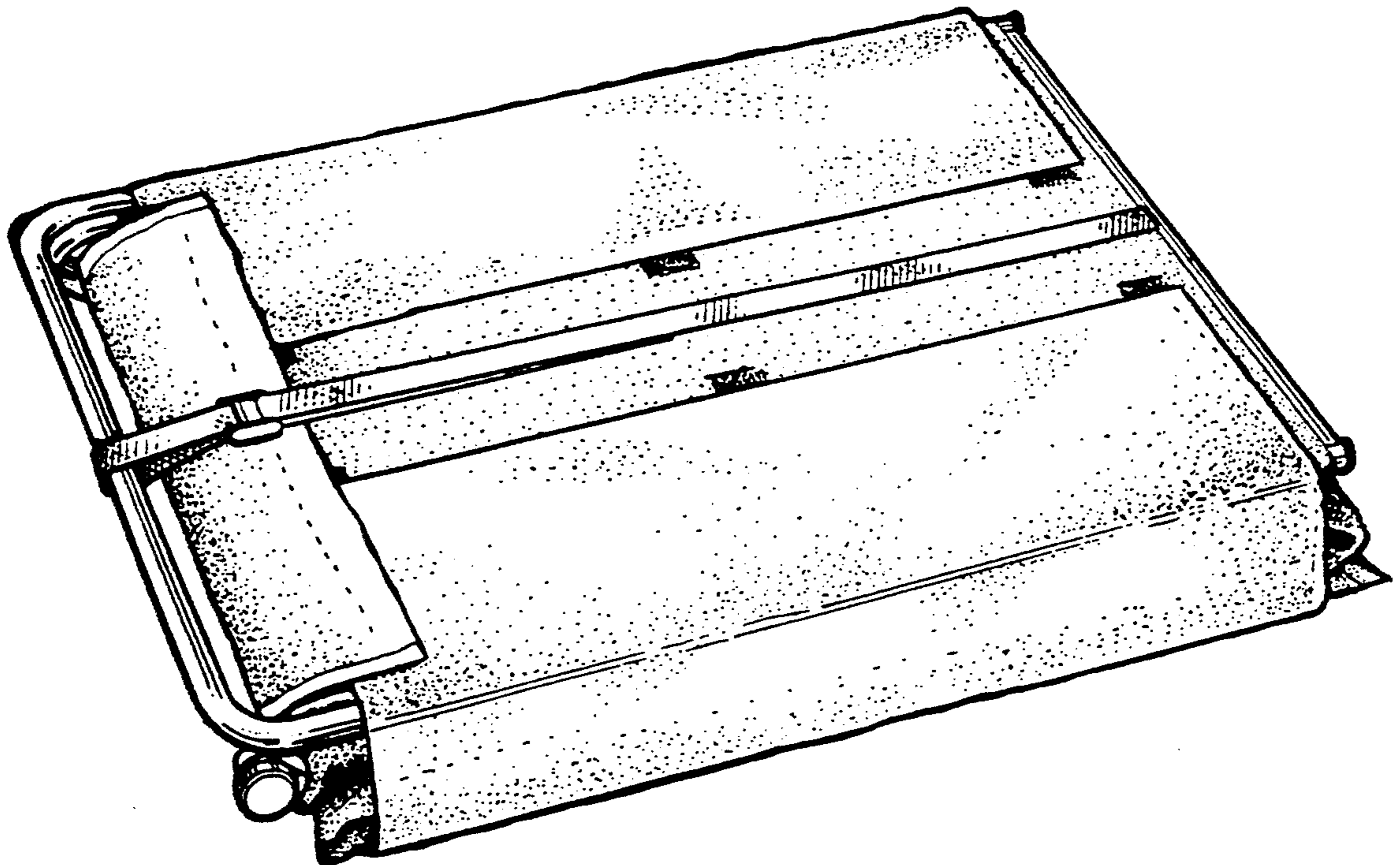




Fig.3

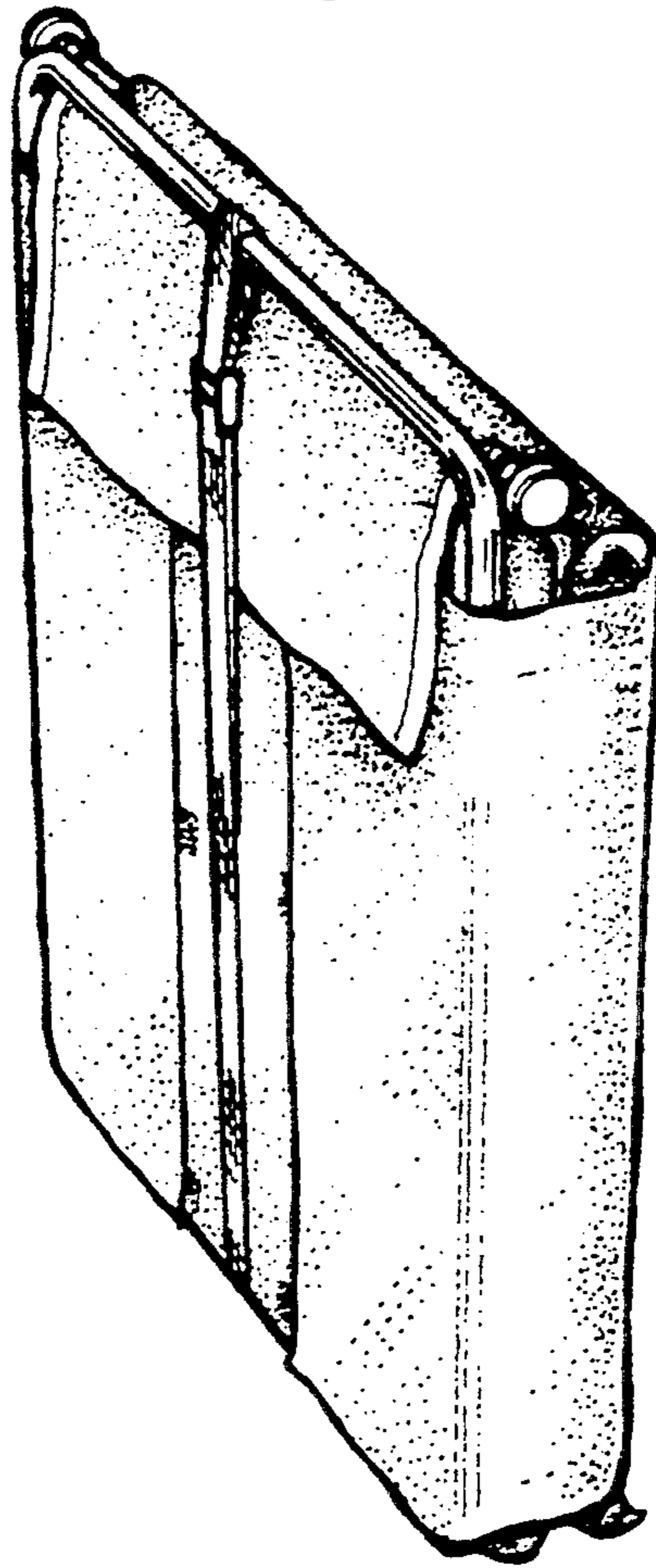


Fig.4

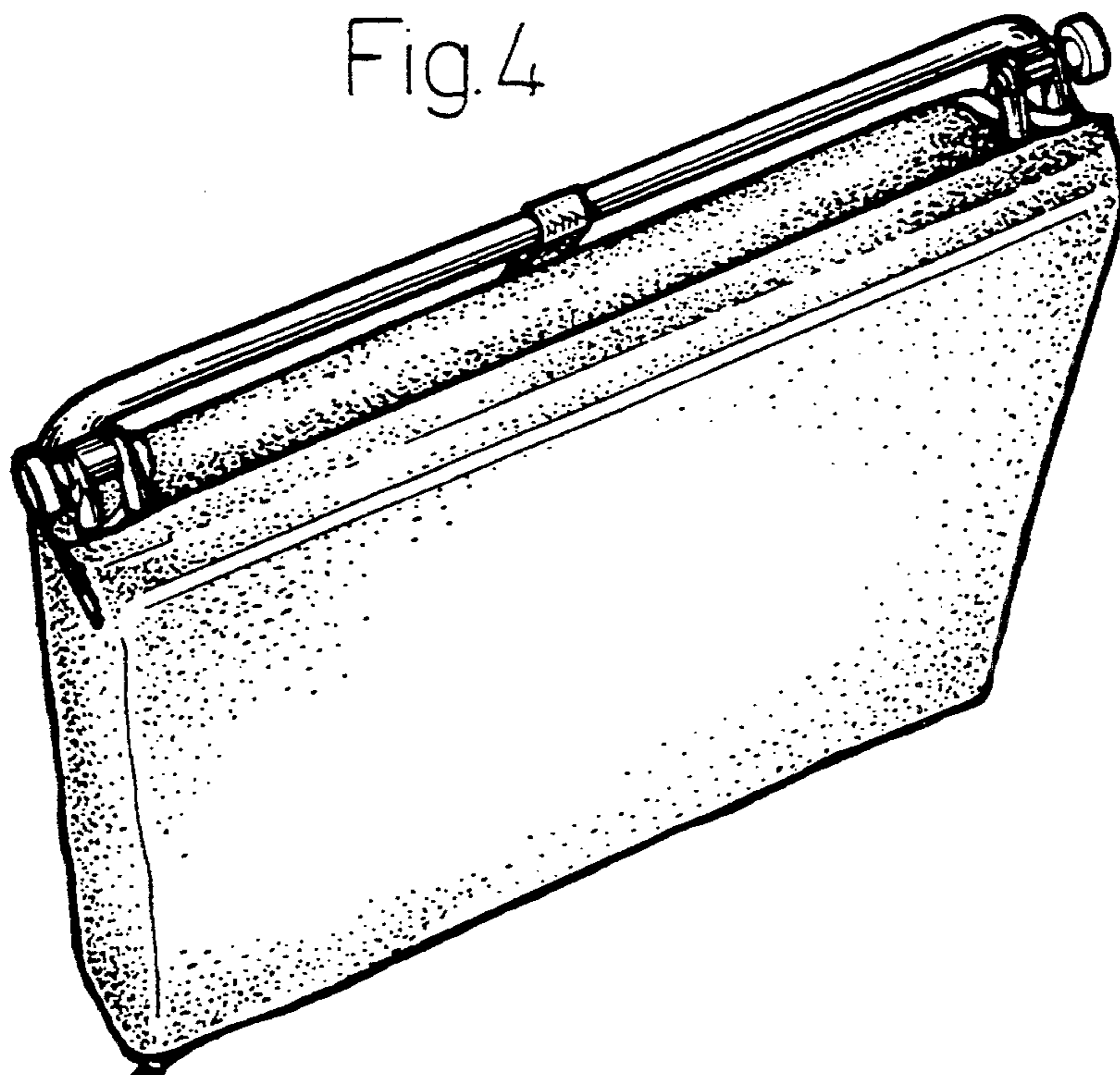


Fig. 5

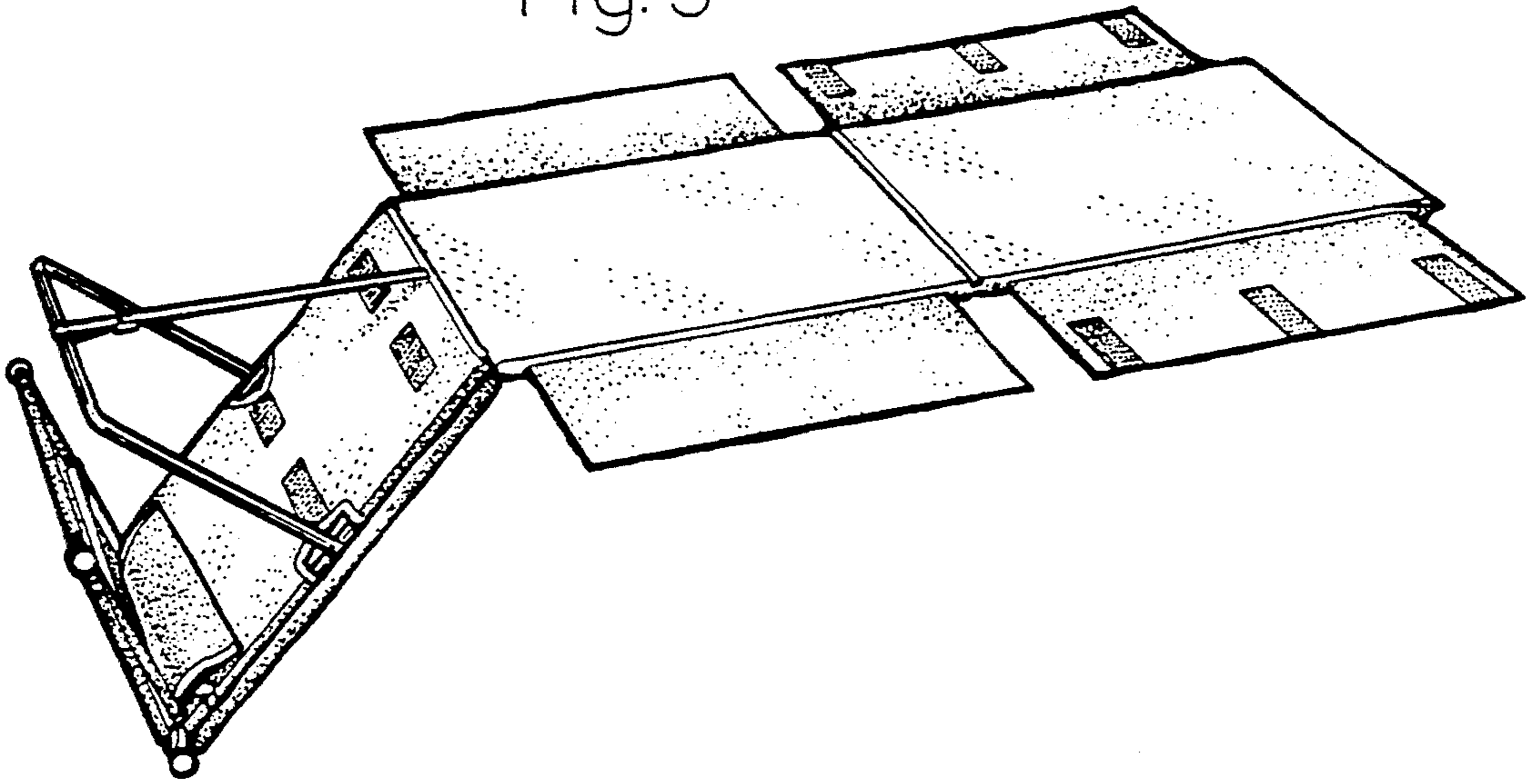


Fig. 6

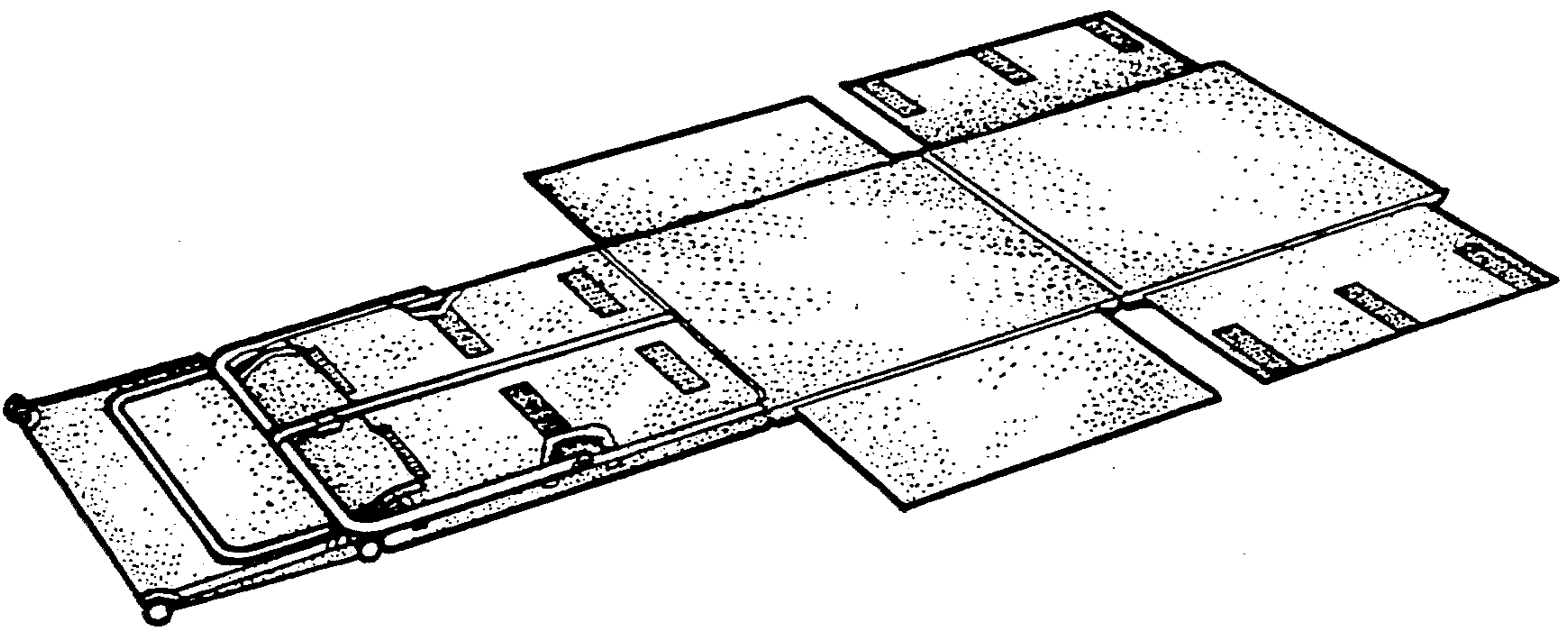


Fig. 7

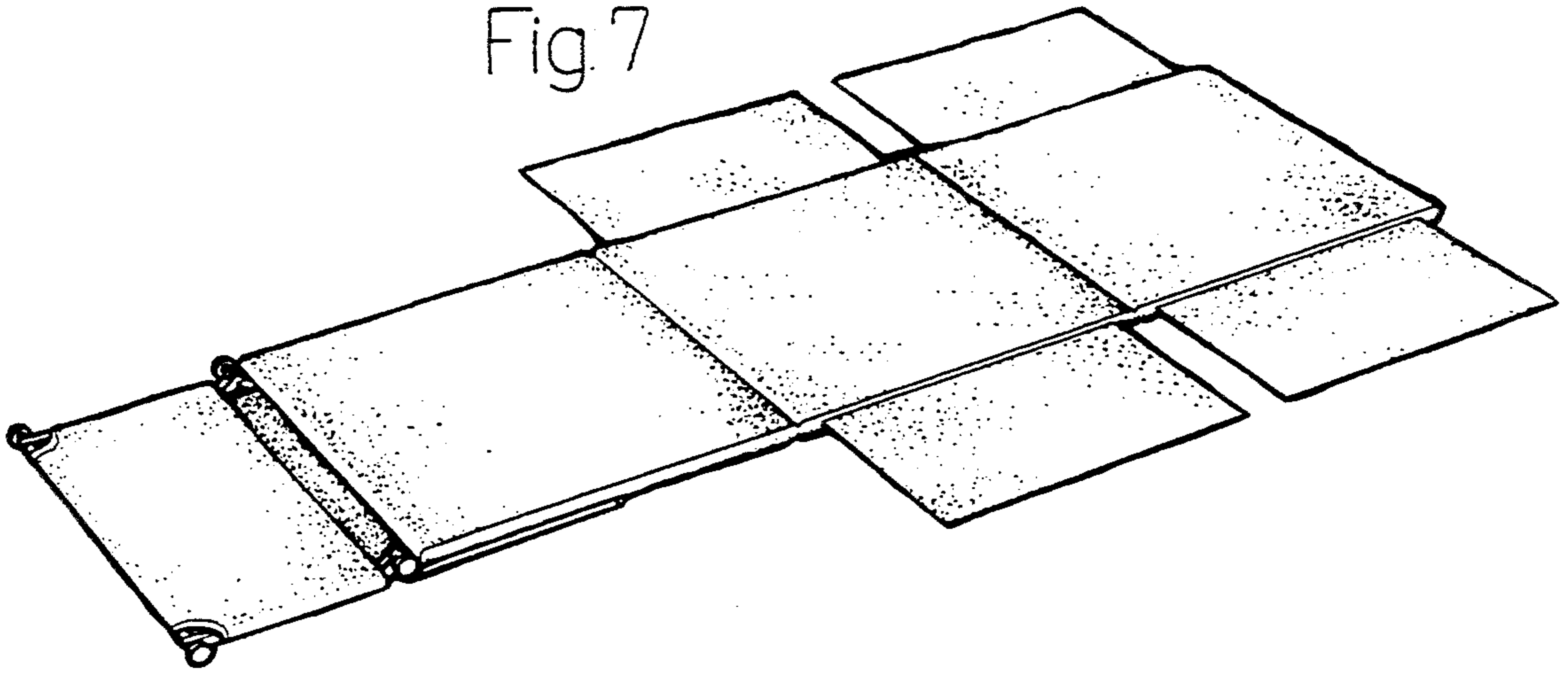


Fig. 8

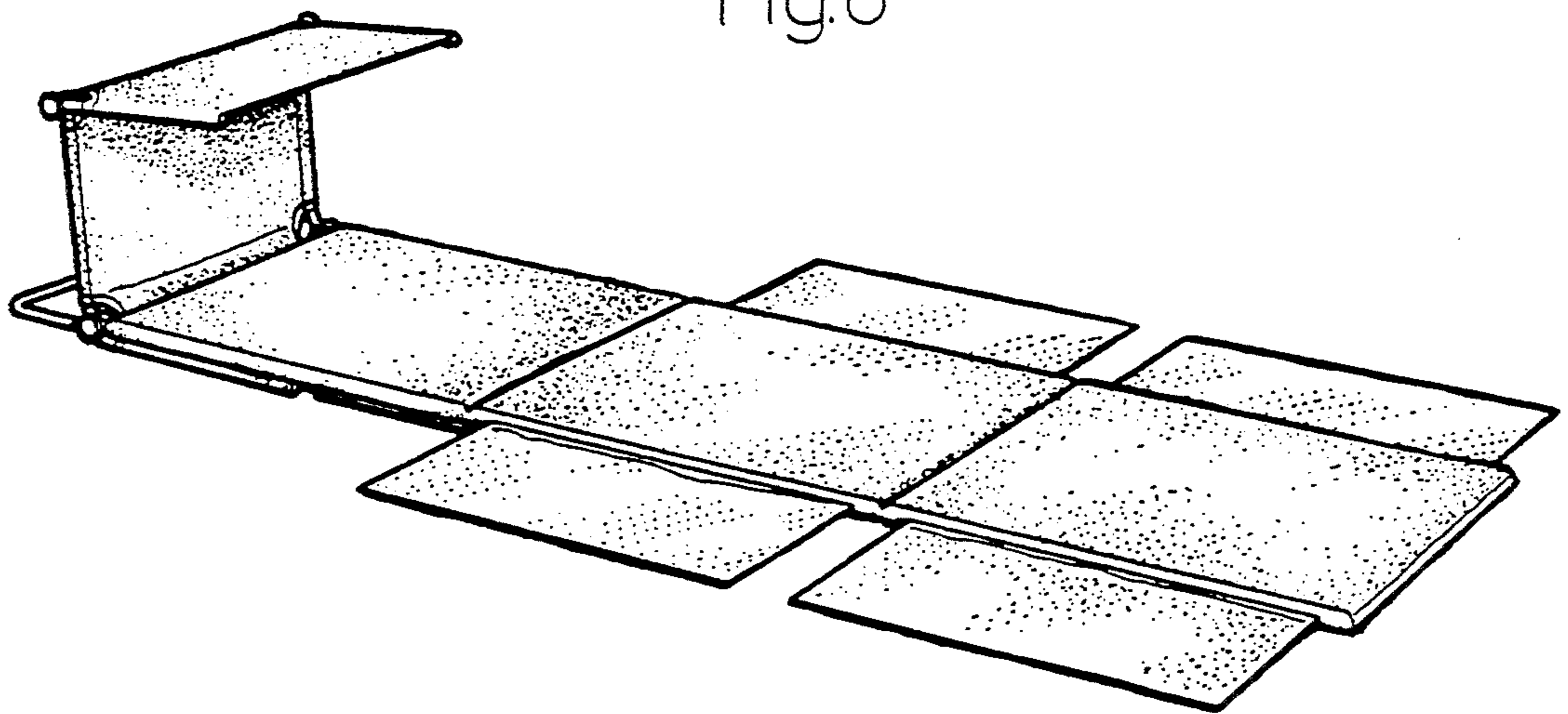




Fig.9

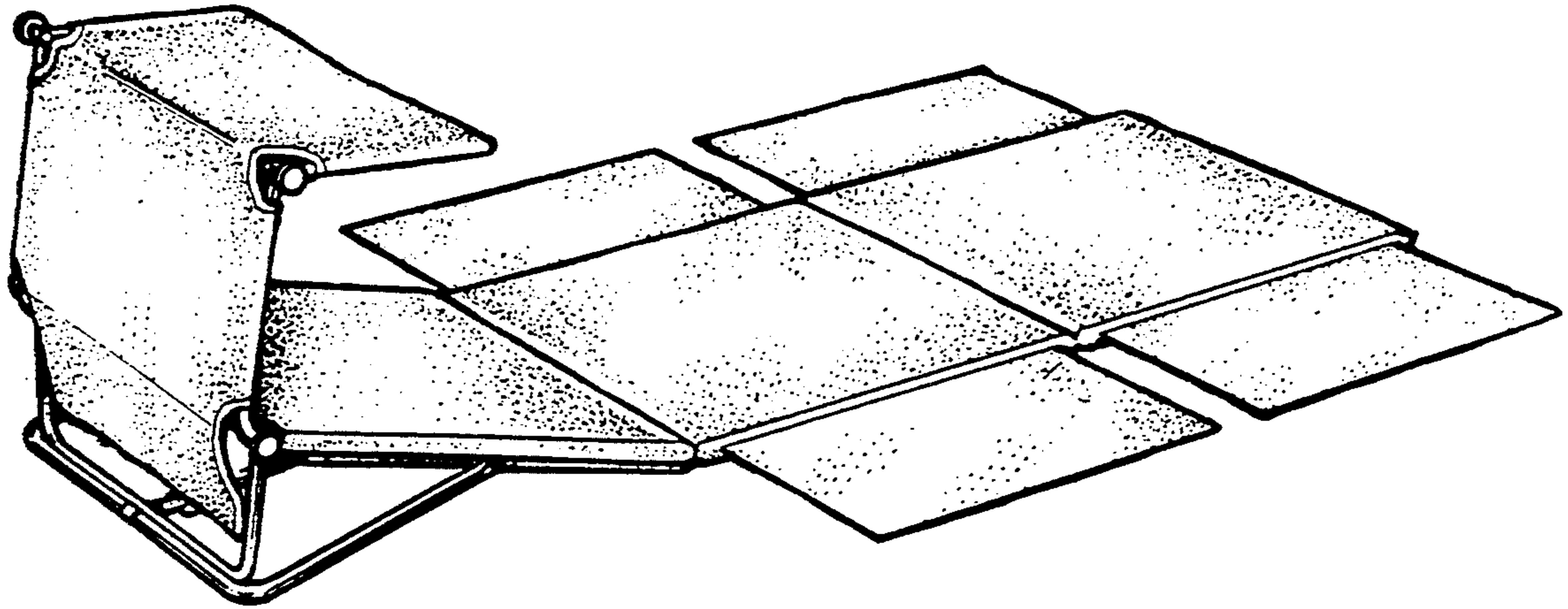


Fig.10

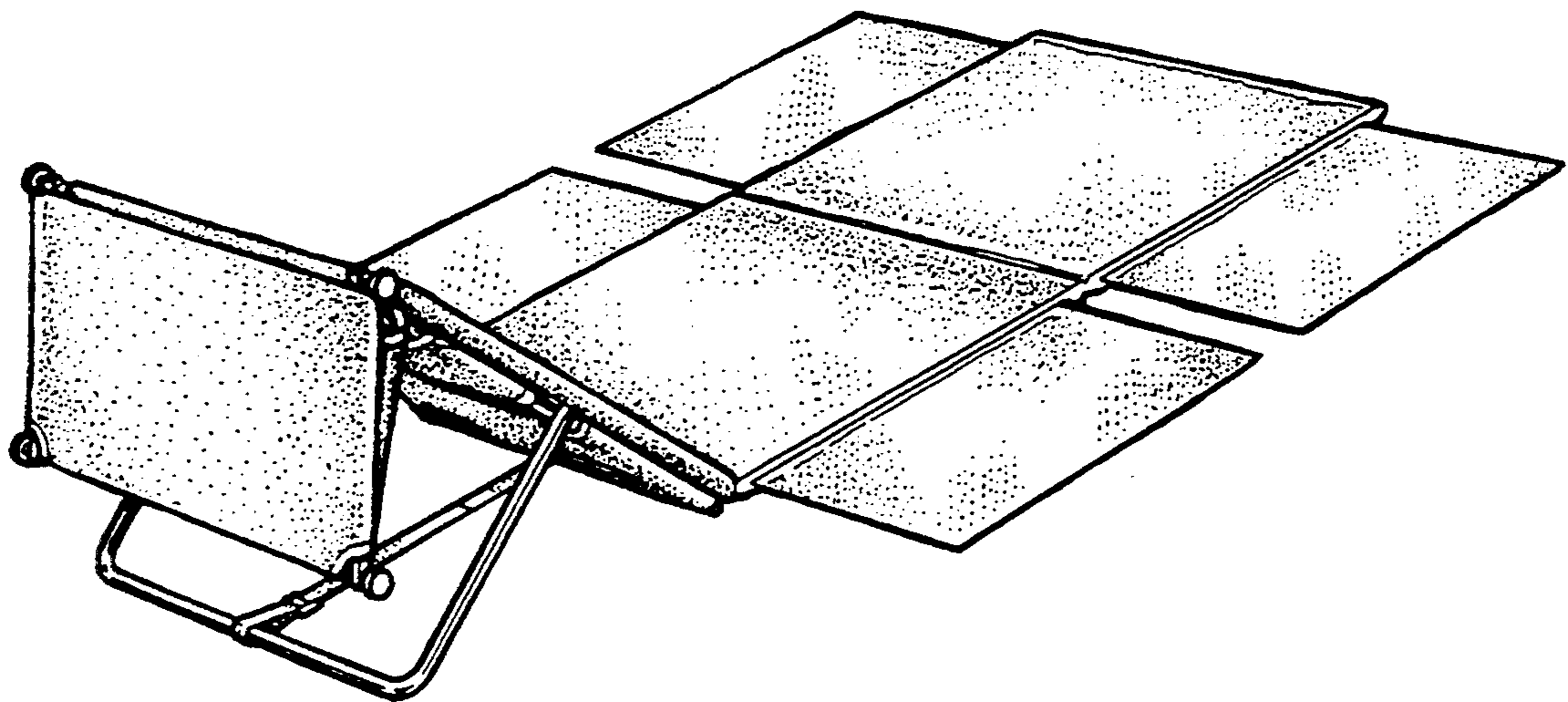


Fig.11

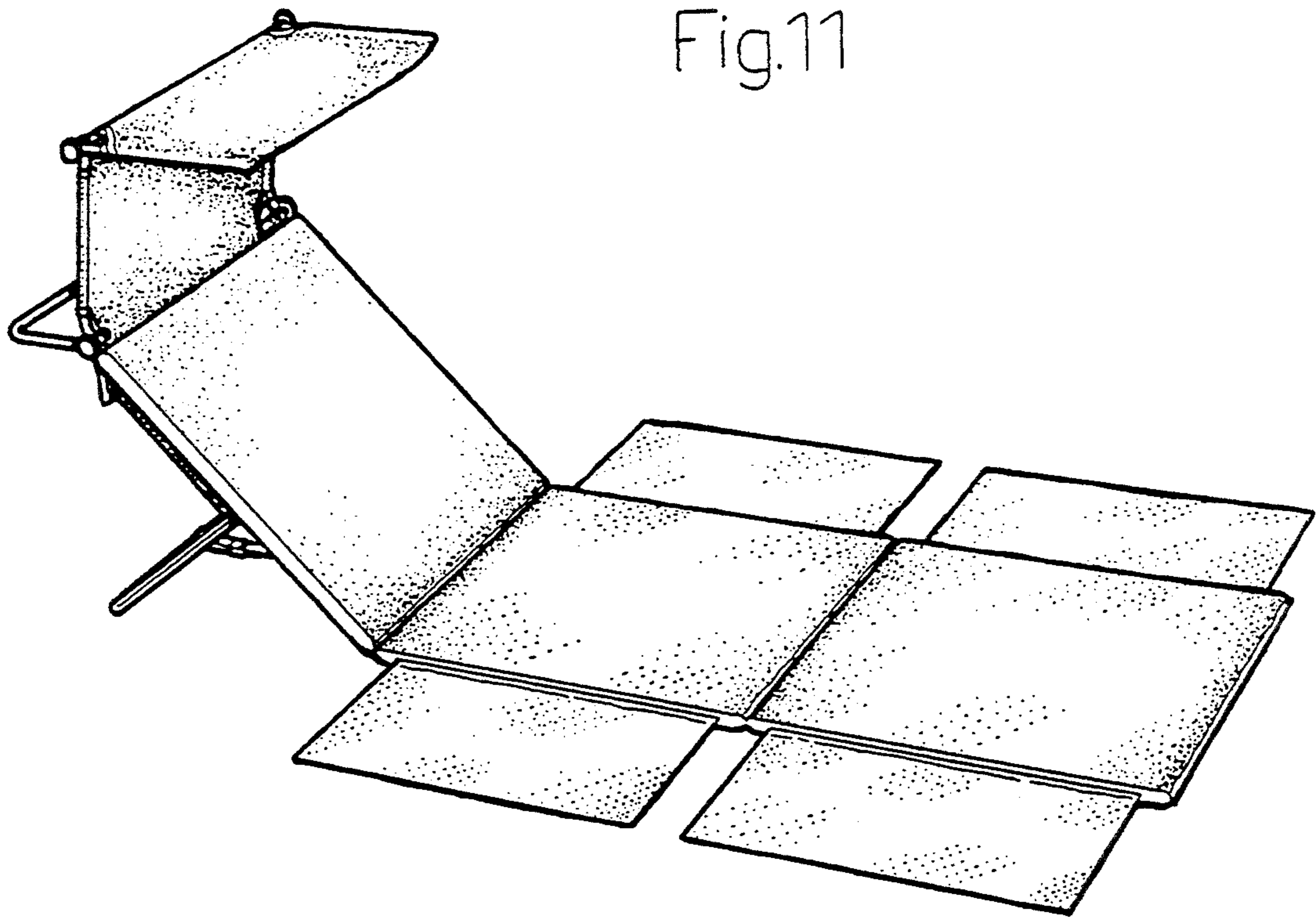


Fig.12

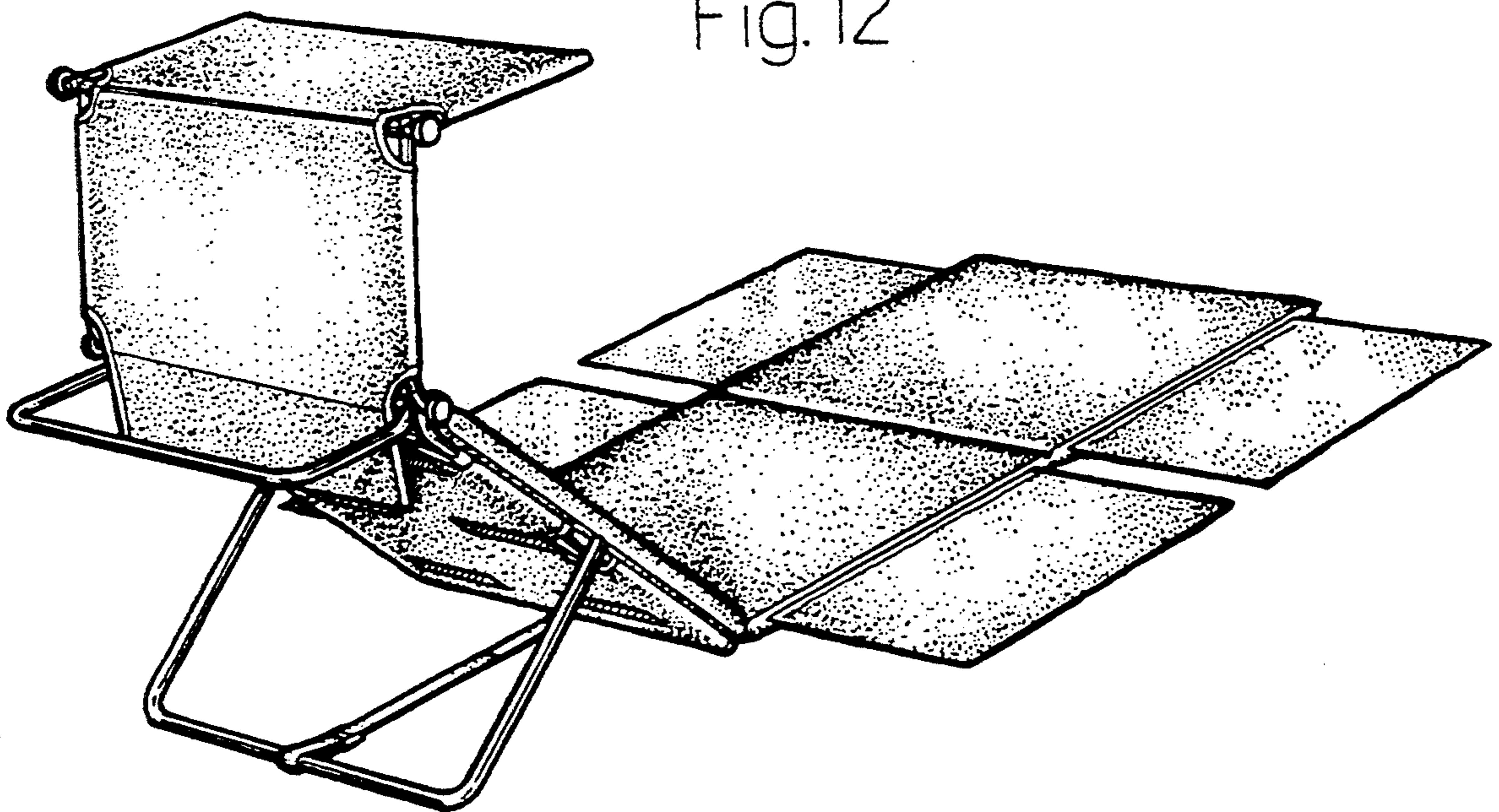


Fig. 13

