



US00D360529S

United States Patent [19]

[11] Patent Number: **Des. 360,529**

Balzen

[45] Date of Patent: **** Jul. 25, 1995**

[54] **TRAY FOR SOCKET TOOLS**

[76] Inventor: **Robert H. Balzen**, 903 Blessing Ranch Rd., Liberty Hill, Tex. 78642

[**] Term: **14 Years**

[21] Appl. No.: **24,359**

[22] Filed: **Jun. 13, 1994**

[52] U.S. Cl. **D3/313**

[58] Field of Search **D3/307-314, D3/304, 905; 206/372, 378, 349, 562-564; D9/347; D19/75**

4,836,374 6/1989 Hutchins et al. 206/373
 4,840,273 6/1989 Zavacki 206/372
 4,987,998 1/1991 Tsai 206/378 X
 5,050,733 9/1991 Brennan 206/373
 5,071,004 12/1991 Rivera 206/373
 5,316,143 5/1994 Horn 206/378

Primary Examiner—Terry A. Wallace
Assistant Examiner—Richelle Shelton
Attorney, Agent, or Firm—H. Dennis Kelly; Timmons & Kelly

[57] CLAIM

The ornamental design for a tray for socket tools, as shown.

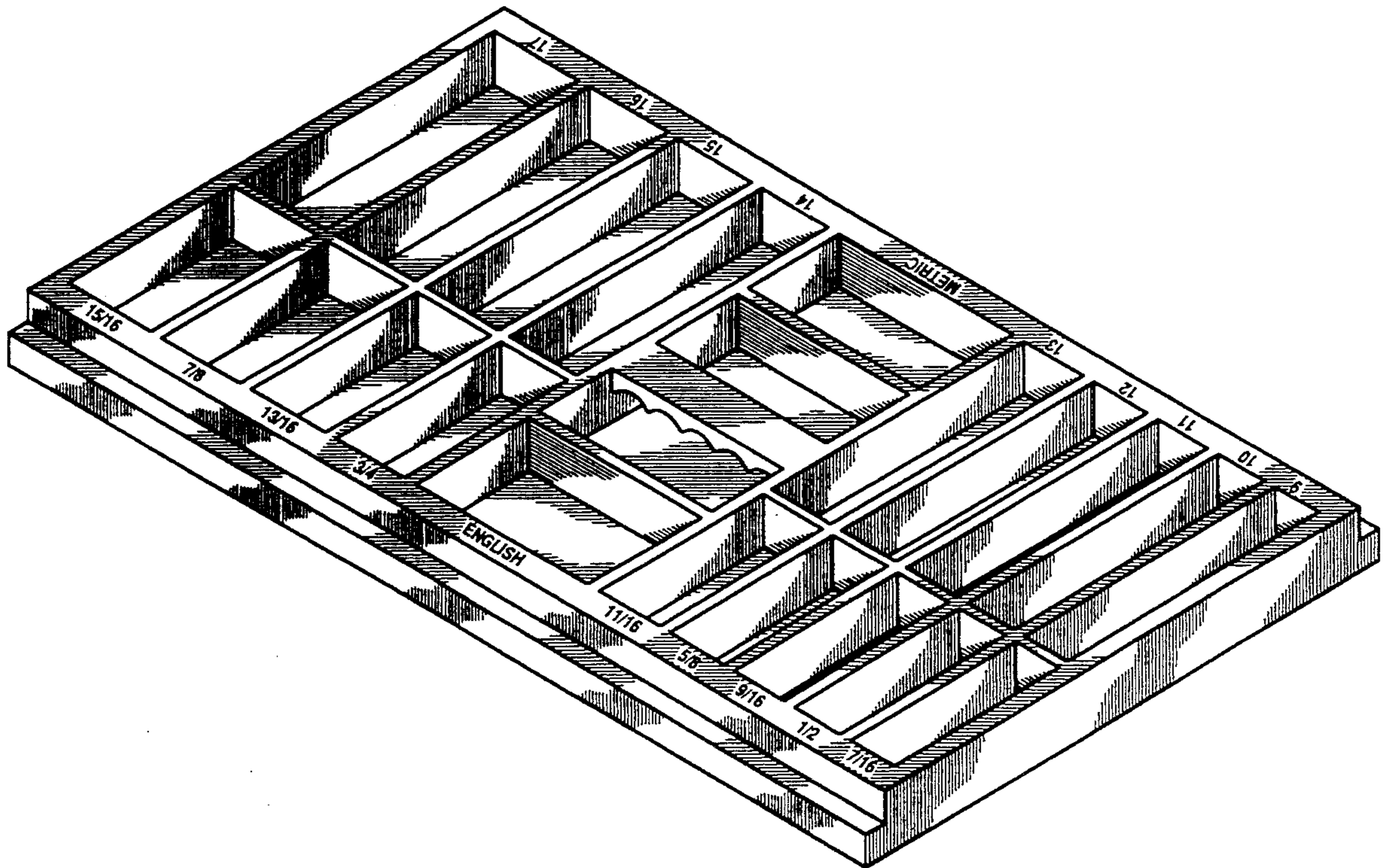
[56] References Cited

U.S. PATENT DOCUMENTS

D. 200,815	4/1965	Chard	D9/347
D. 278,253	4/1985	Evenson	D19/75
D. 303,447	9/1989	Ayres	D3/905 X
D. 319,348	8/1991	Monteleon .	
3,726,393	4/1973	Thompson	206/378
4,337,860	7/1982	Carrigan	206/376
4,353,465	10/1982	Rado	206/378
4,714,158	12/1987	Oltman et al.	206/349

DESCRIPTION

FIG. 1 is a front elevational view of a tray for socket tools showing my new design;
 FIG. 2 is a top plan view thereof;
 FIG. 3 is a bottom plan view thereof;
 FIG. 4 is a front elevation thereof;
 FIG. 5 is a left side elevation thereof;
 FIG. 6 is a rear elevation thereof; and,
 FIG. 7 is a right side elevational view thereof.



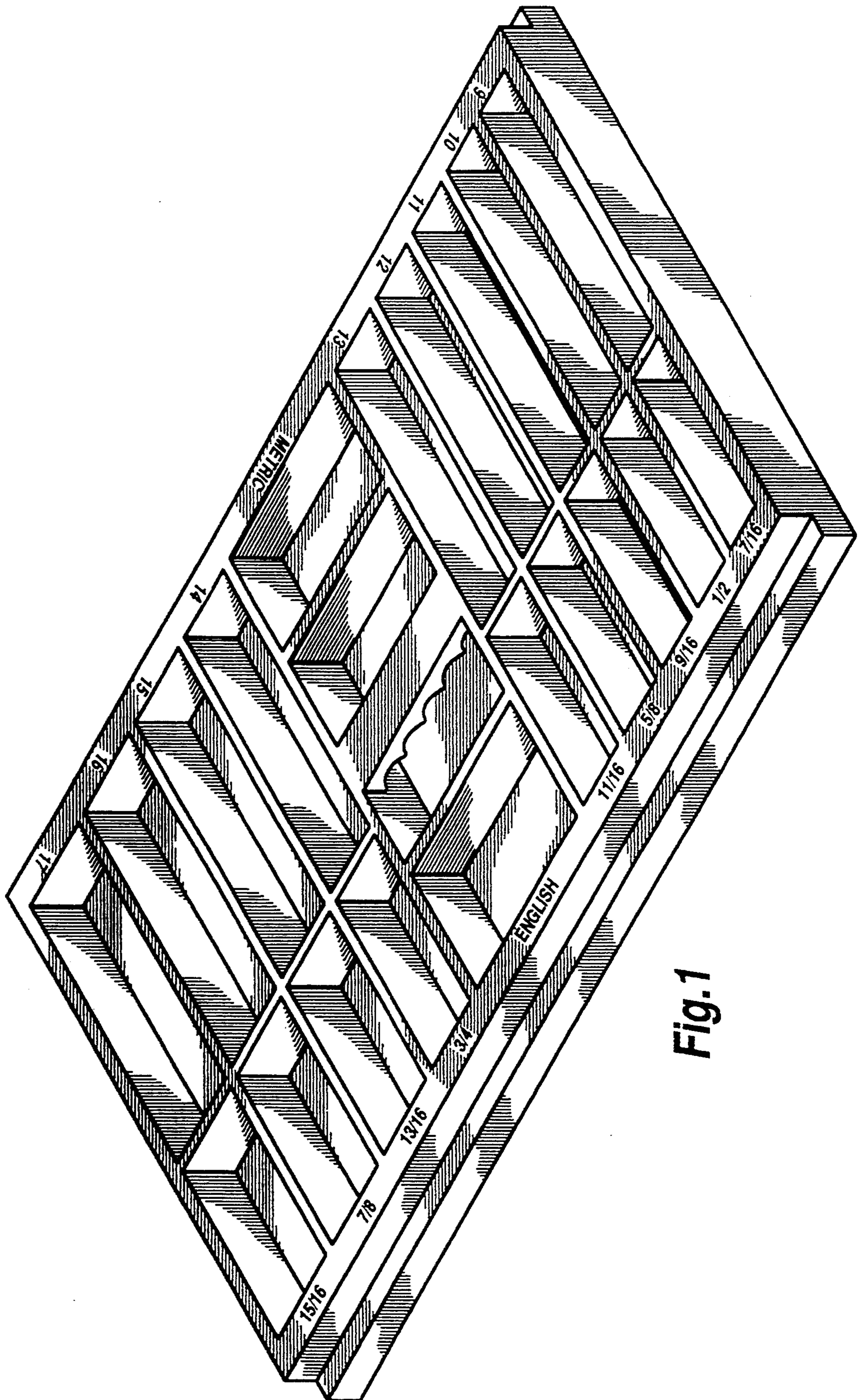


Fig. 1

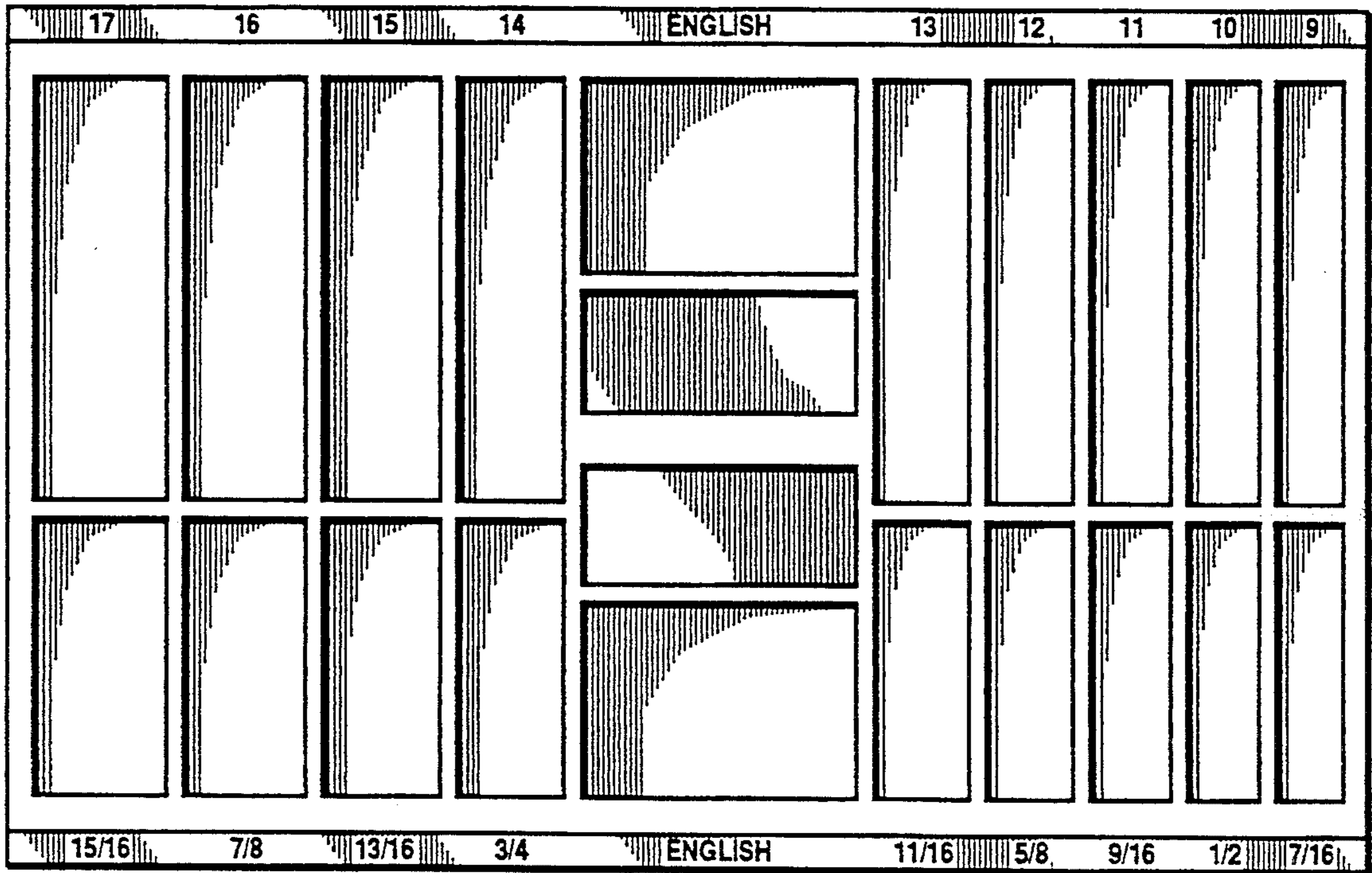


Fig.2

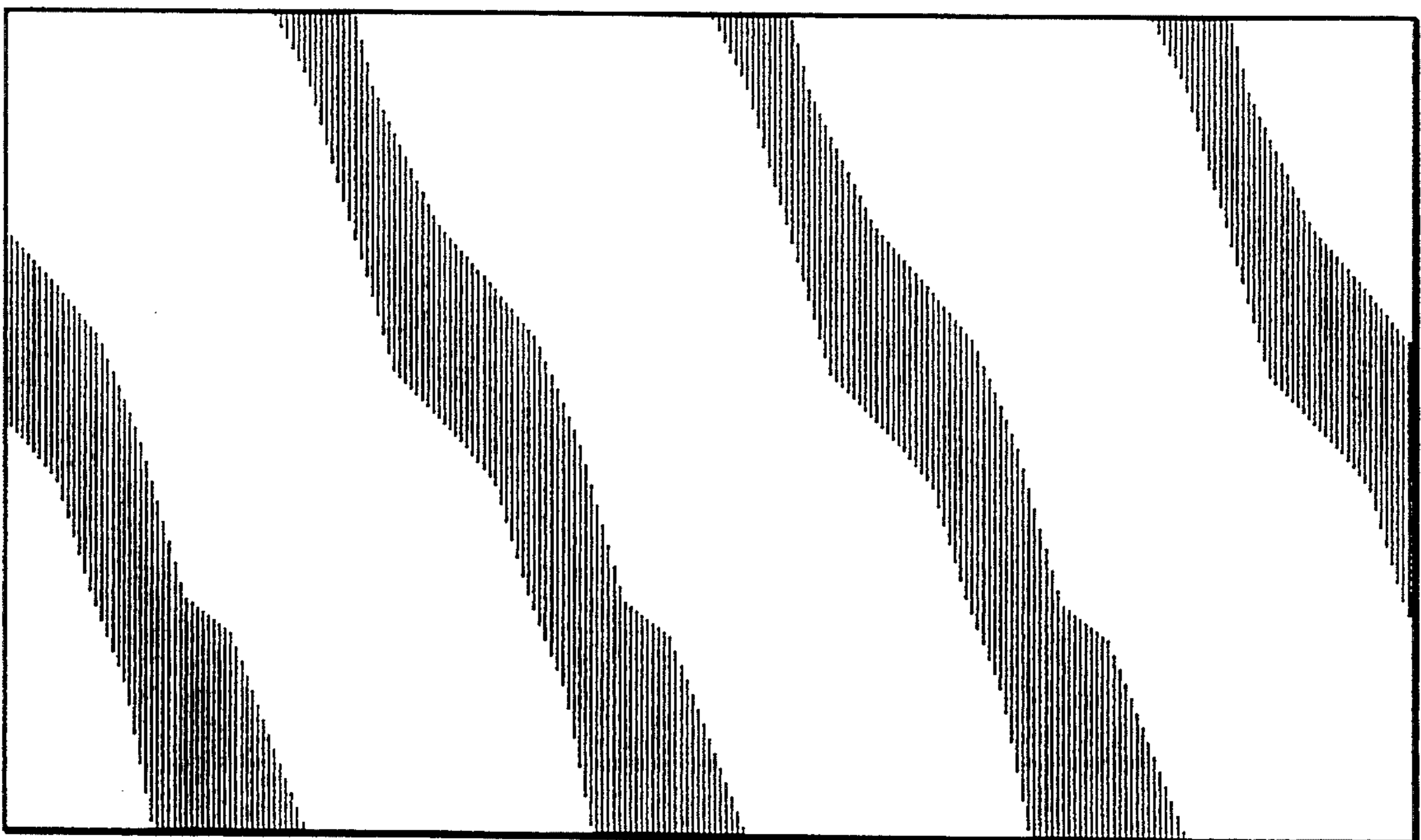


Fig.3



Fig.4



Fig.5



Fig.6



Fig.7