



US00D360518S

# United States Patent [19]

[11] Patent Number: **Des. 360,518**

**Posenauer**

[45] Date of Patent: **\*\* Jul. 25, 1995**

[54] PAPER ENGINEER'S CAP

*Primary Examiner*—Bernard Ansher  
*Assistant Examiner*—Paula Mortimer

[76] Inventor: **Charles R. Posenauer**, 7707 N. 13th St., Phoenix, Ariz. 85020

[57] **CLAIM**

[\*\*] Term: **14 Years**

The ornamental design for a paper engineer's cap, as shown and described.

[21] Appl. No.: **11,242**

### DESCRIPTION

[22] Filed: **Jul. 30, 1993**

[52] U.S. Cl. .... **D2/872**

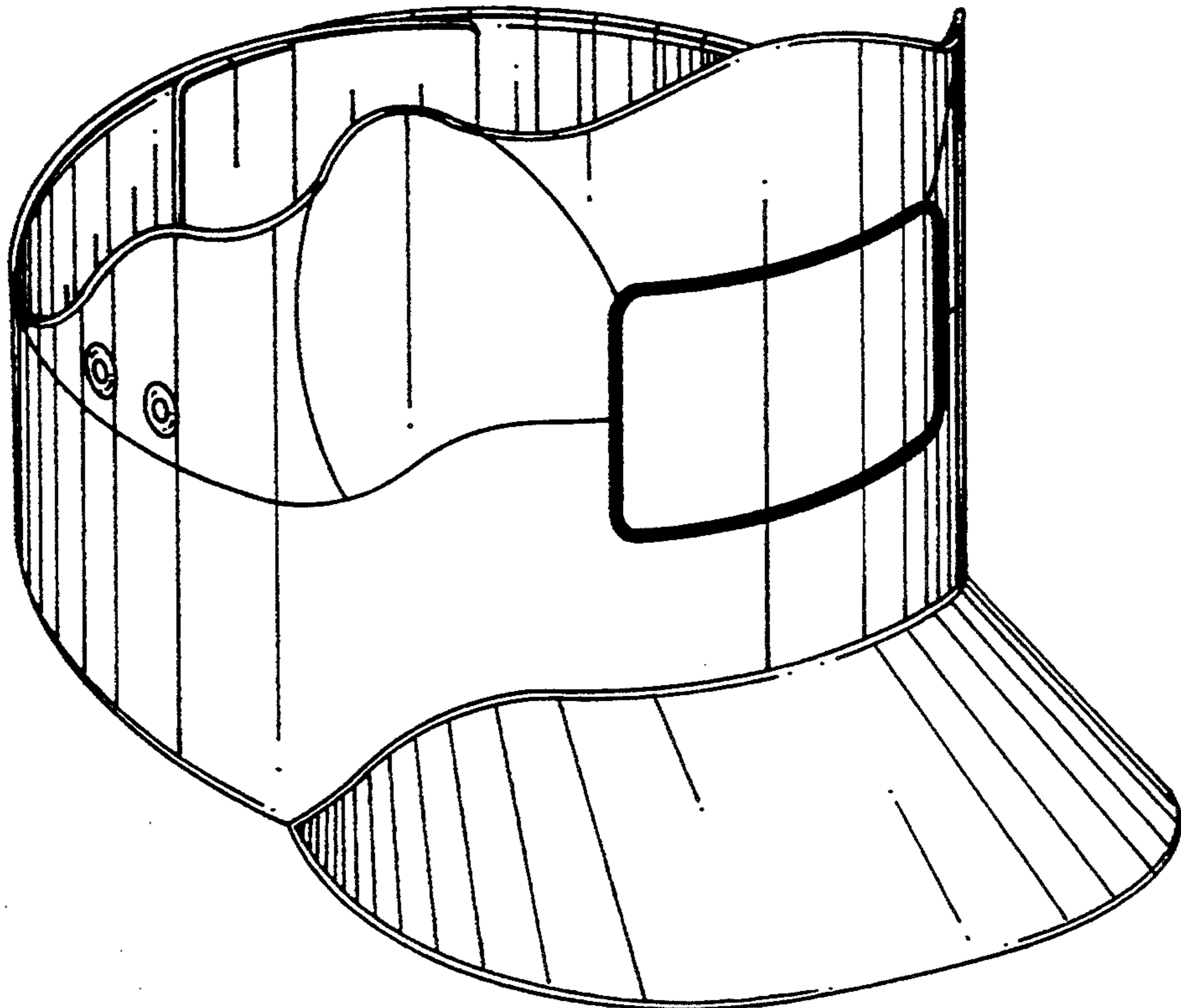
[58] Field of Search ..... D2/865, 868, 869, 872, D2/873, 876, 879, 882, 886, 893; 2/200.3, 195.1, 195.2, 195.6

FIG. 1 is a perspective view of the top, front, and right side of a paper engineer's cap showing my new design; FIG. 2 is a front elevational view of the cap shown in FIG. 1; FIG. 3 is a rear elevational view of the cap shown in FIG. 1; FIG. 4 is a right side elevational view of the cap shown in FIG. 1 with the left side being a mirror image thereof; FIG. 5 is a top plan view of the cap shown in FIG. 1; and, FIG. 6 is a bottom plan view of the cap shown in FIG. 1.

[56] **References Cited**

### U.S. PATENT DOCUMENTS

D. 68,685 11/1925 Weinrott et al. .... D2/876 X  
D. 348,349 7/1994 Blackwell ..... D2/872  
2,787,791 4/1957 Linney et al. .... 2/200.3 X



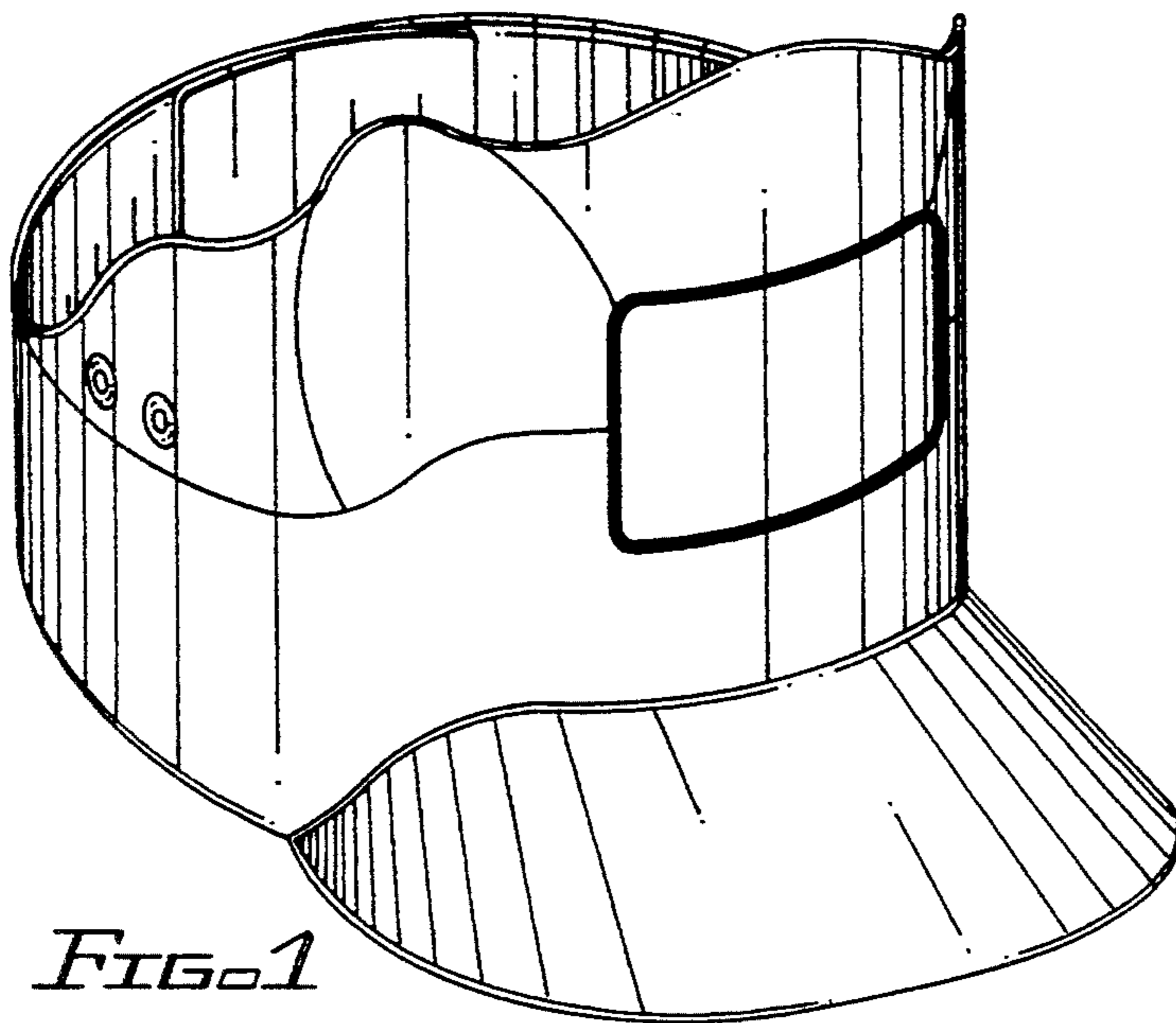


FIG. 1

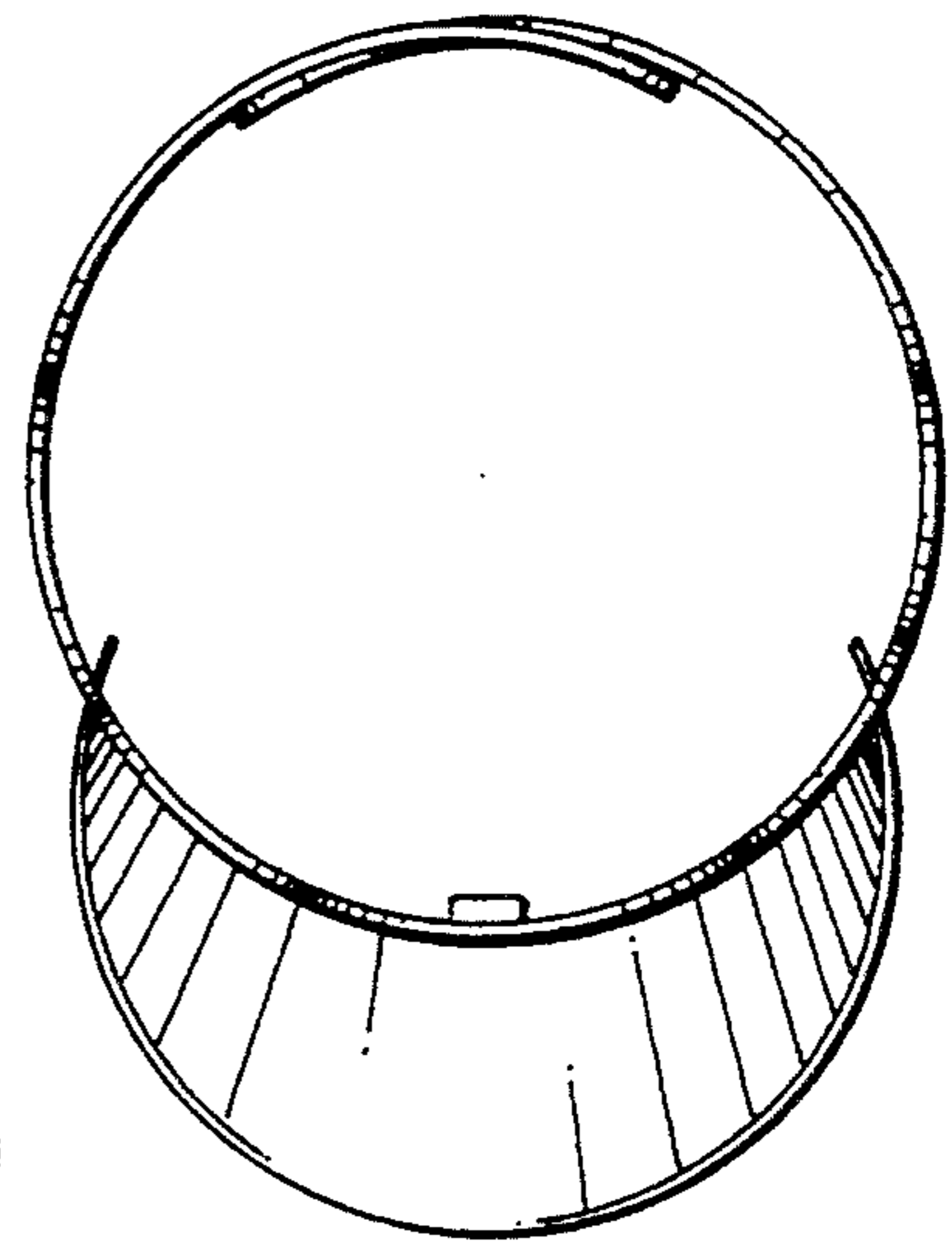


FIG. 5

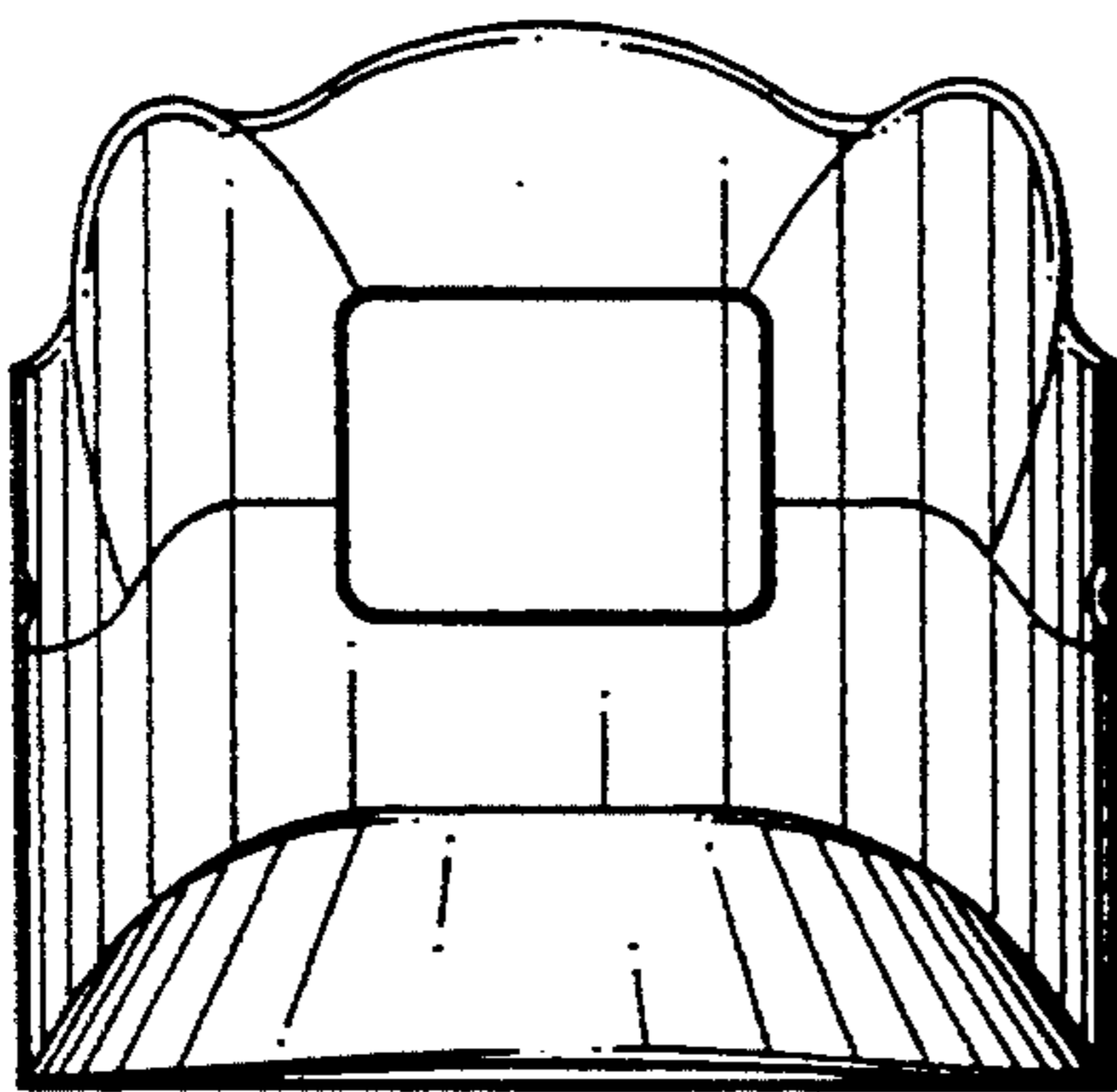


FIG. 2

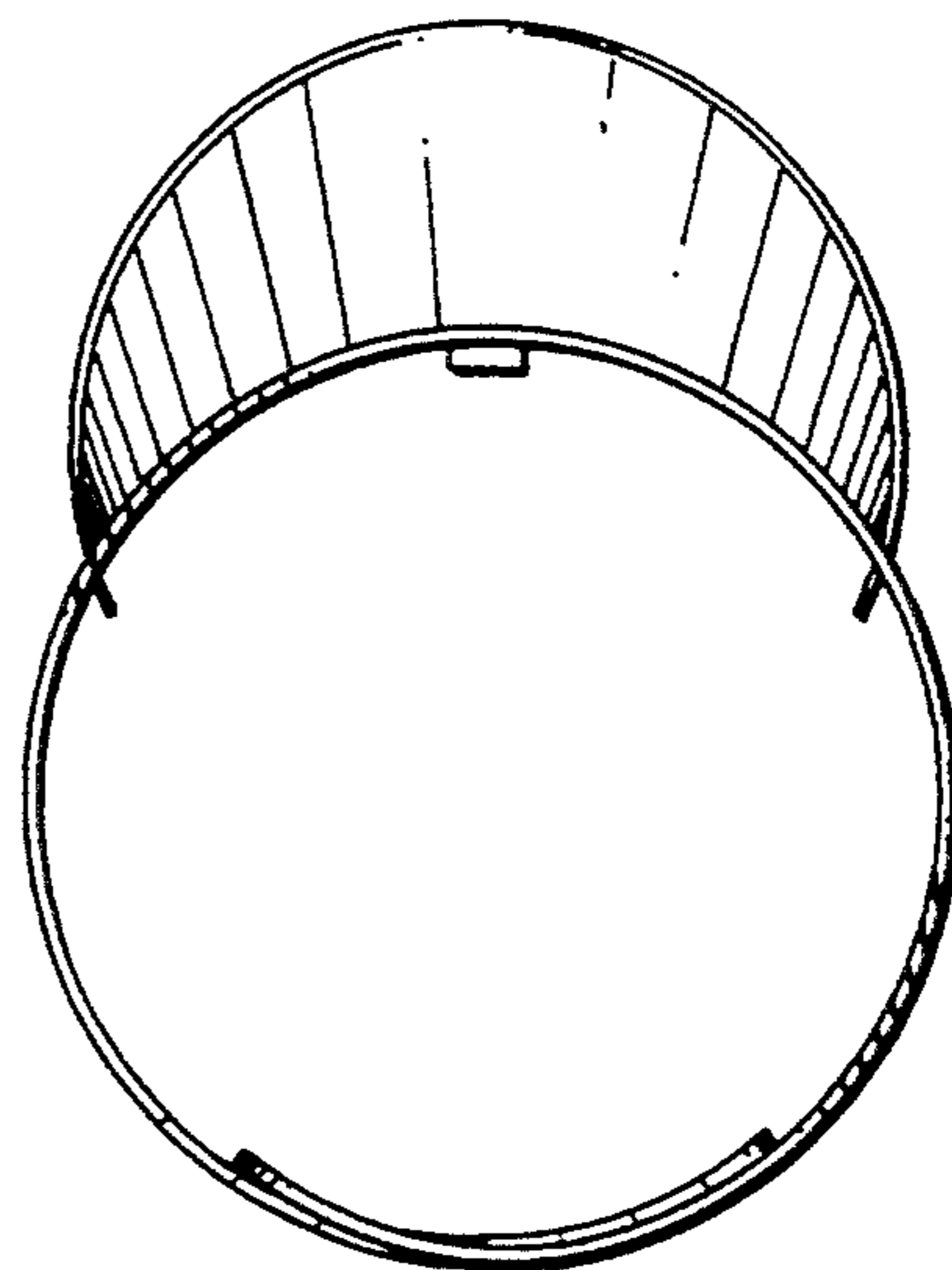


FIG. 6

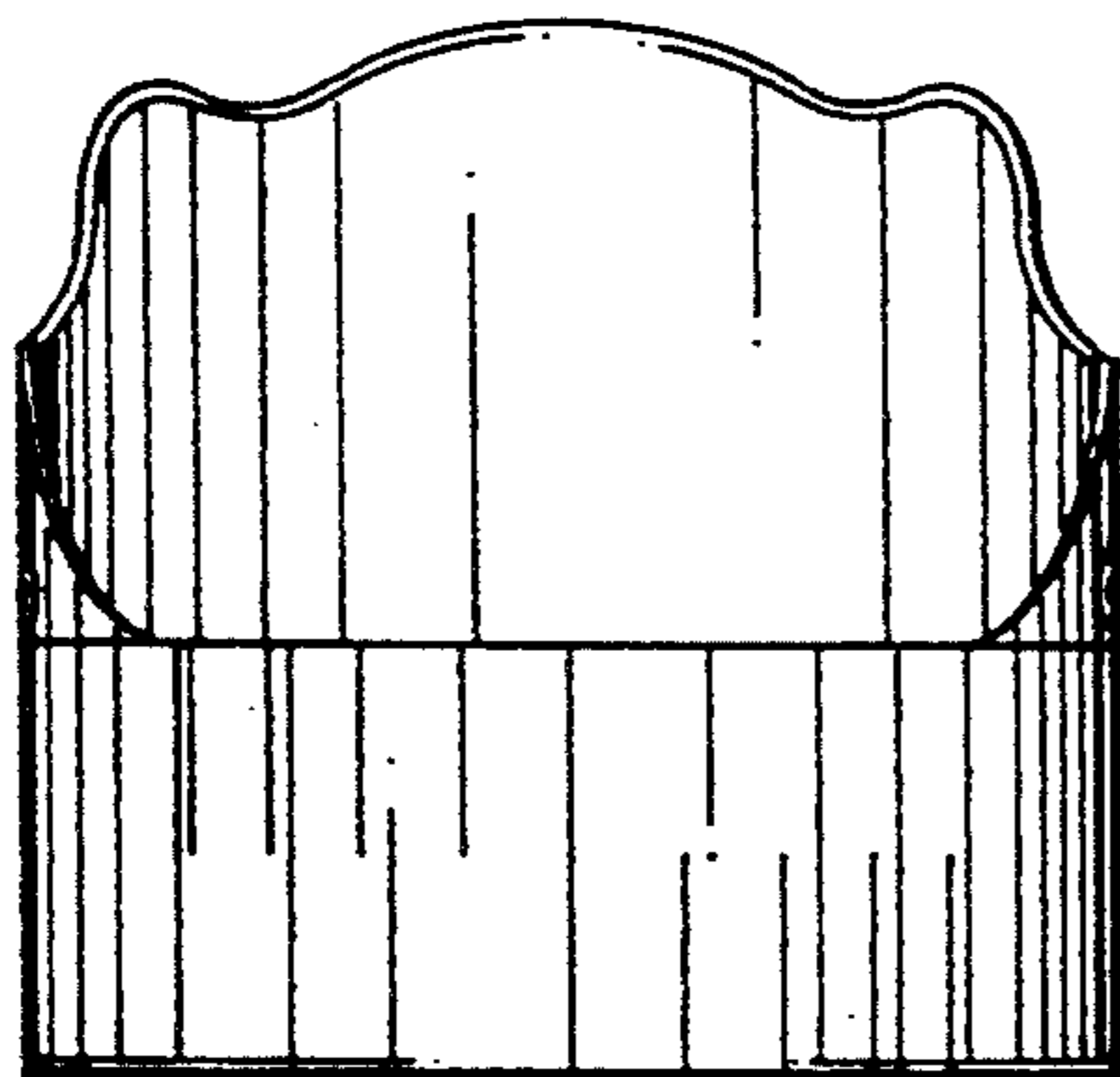


FIG. 3

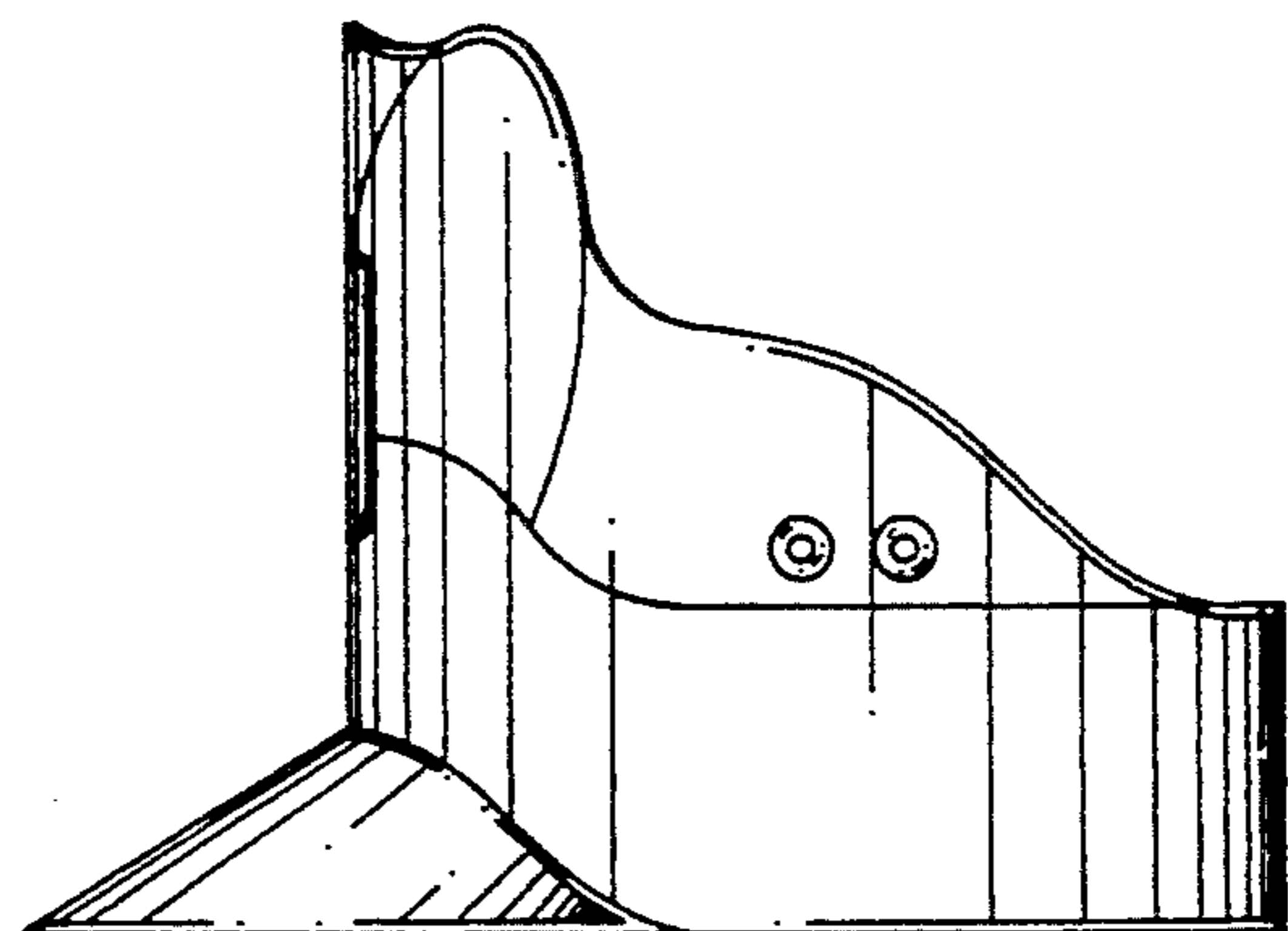


FIG. 4