



US00D360513S

United States Patent [19]

[11] Patent Number: **Des. 360,513**

Thompson

[45] Date of Patent: **** Jul. 18, 1995**

[54] **SHOPPING CART**

4,268,049 5/1981 Salvador .

[76] Inventor: **Muriel I. Thompson**, 11801 Rockville Pike #515, Rockville, Md. 20852

4,492,388 1/1985 de Wit 280/33.995

4,726,596 2/1988 Ulmer .

[**] Term: **14 Years**

FOREIGN PATENT DOCUMENTS

2520711 11/1976 Germany 280/33.995

[21] Appl. No.: **23,996**

Primary Examiner—Kay H. Chin

[22] Filed: **Jun. 6, 1994**

[57] **CLAIM**

[52] U.S. Cl. **D34/19; D34/20**

The ornamental design for the shopping cart, as shown and described.

[58] Field of Search D34/12, 17, 19, 20, D34/21, 22; 280/33.991, 33.995, 33.997, 651, 641, 47.34, 650, 642

DESCRIPTION

[56] **References Cited**

U.S. PATENT DOCUMENTS

- D. 331,136 11/1992 Davis et al. .
- 2,903,269 9/1959 Hennton 280/33.991
- 3,084,948 4/1963 Friedman 280/33.997
- 3,321,213 5/1967 Shoffner 280/33.991
- 3,460,850 8/1969 Franklin .
- 3,844,577 10/1974 Wahl .

FIG. 1 is a front elevational view of the shopping cart showing my new design;

FIG. 2 is a rear elevational view thereof;

FIG. 3 is a left side elevational view thereof;

FIG. 4 is a right side elevational view thereof;

FIG. 5 is a top plan view thereof;

FIG. 6 is a bottom plan view thereof; and,

FIG. 7 is a top, right and front perspective view thereof.

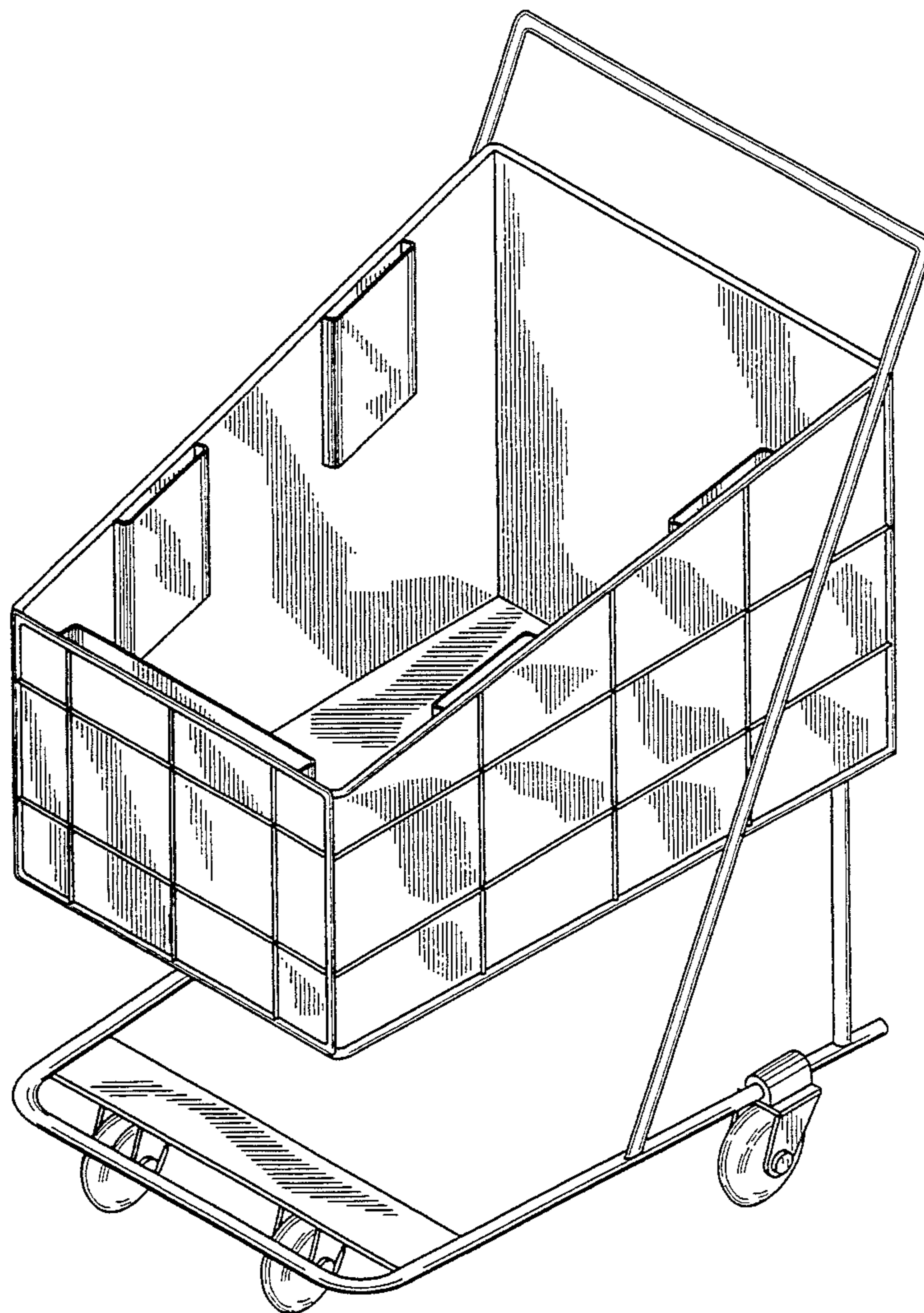


FIG. 1

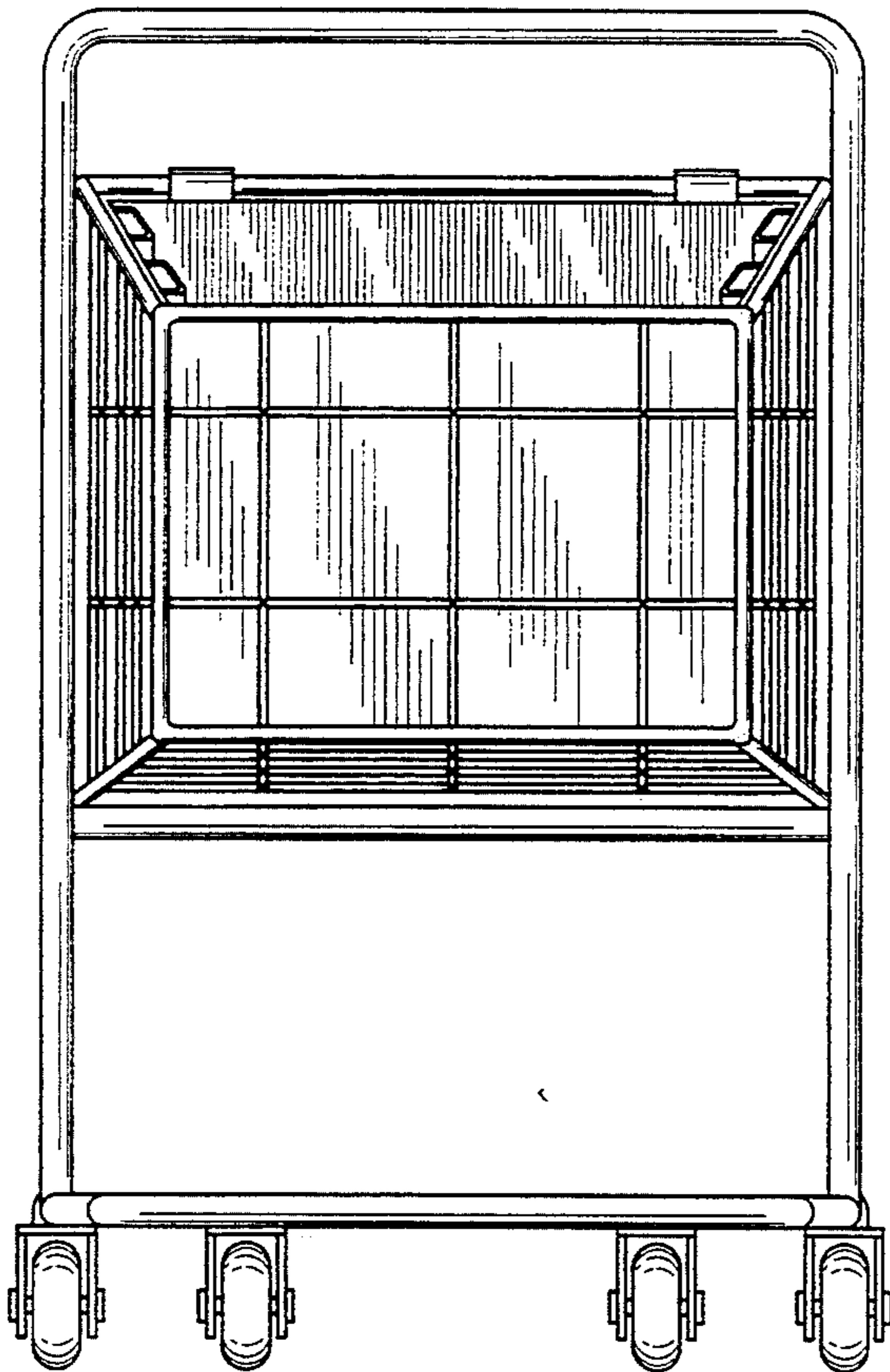


FIG. 2

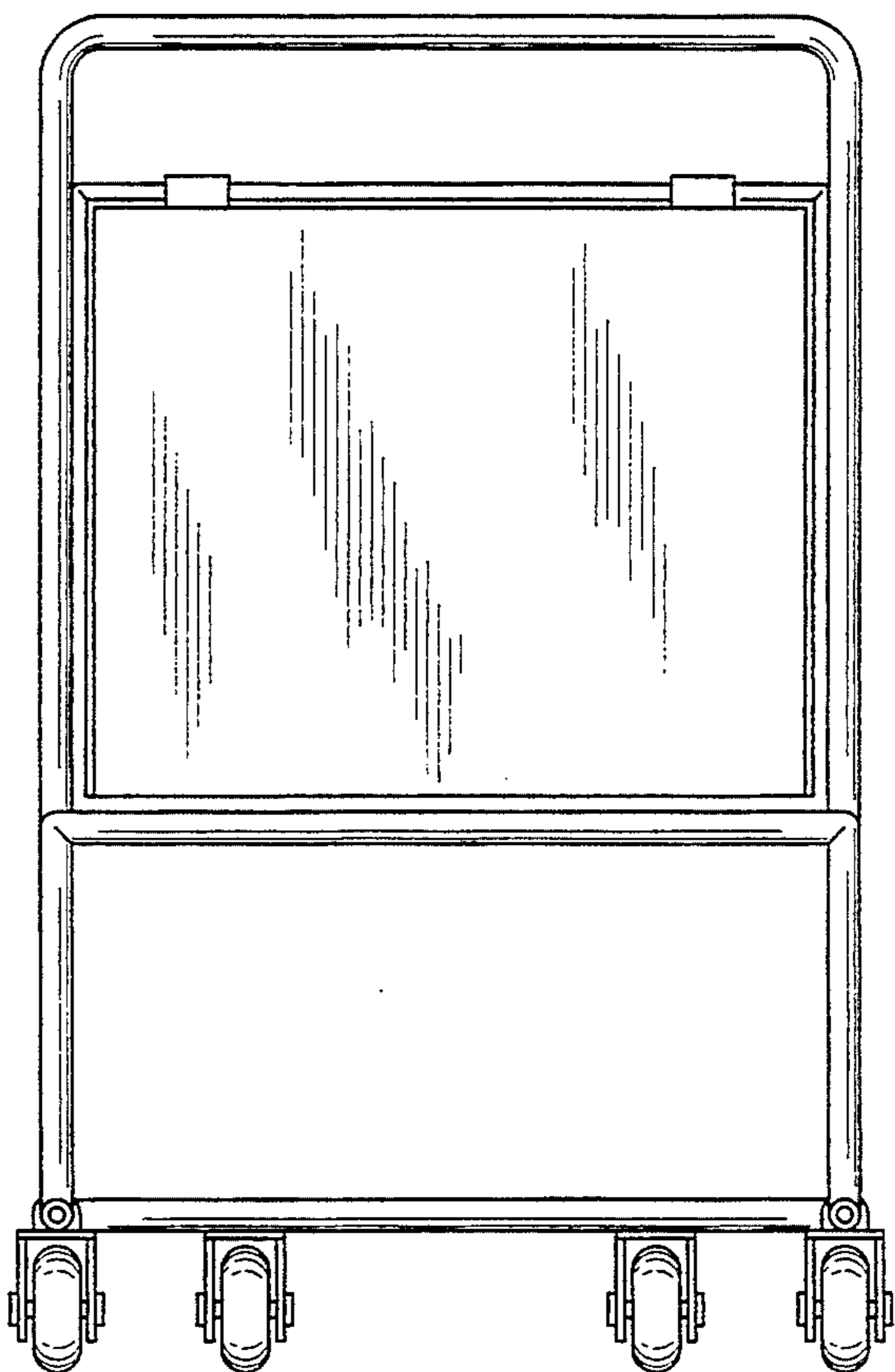


FIG. 3

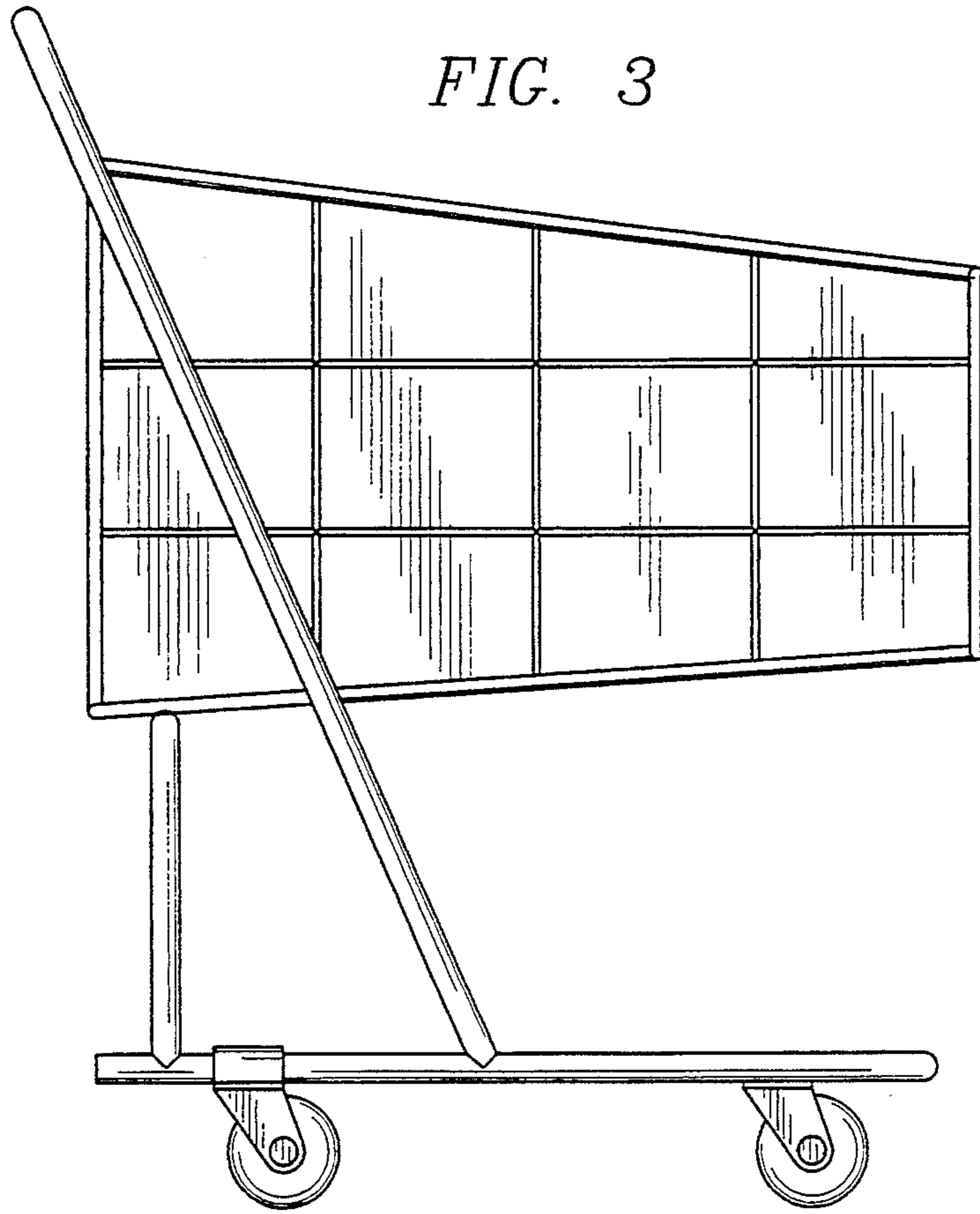


FIG. 4

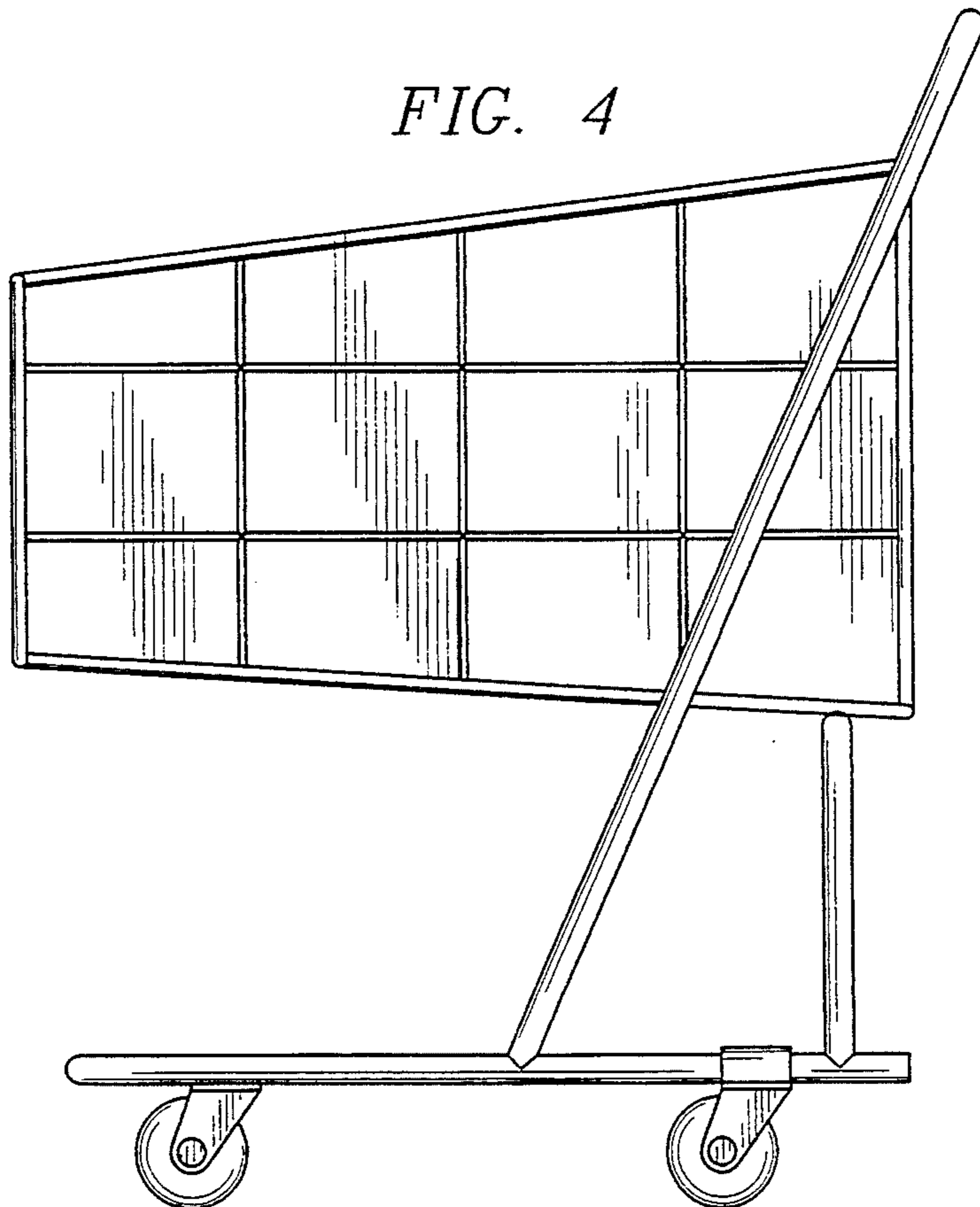


FIG. 5

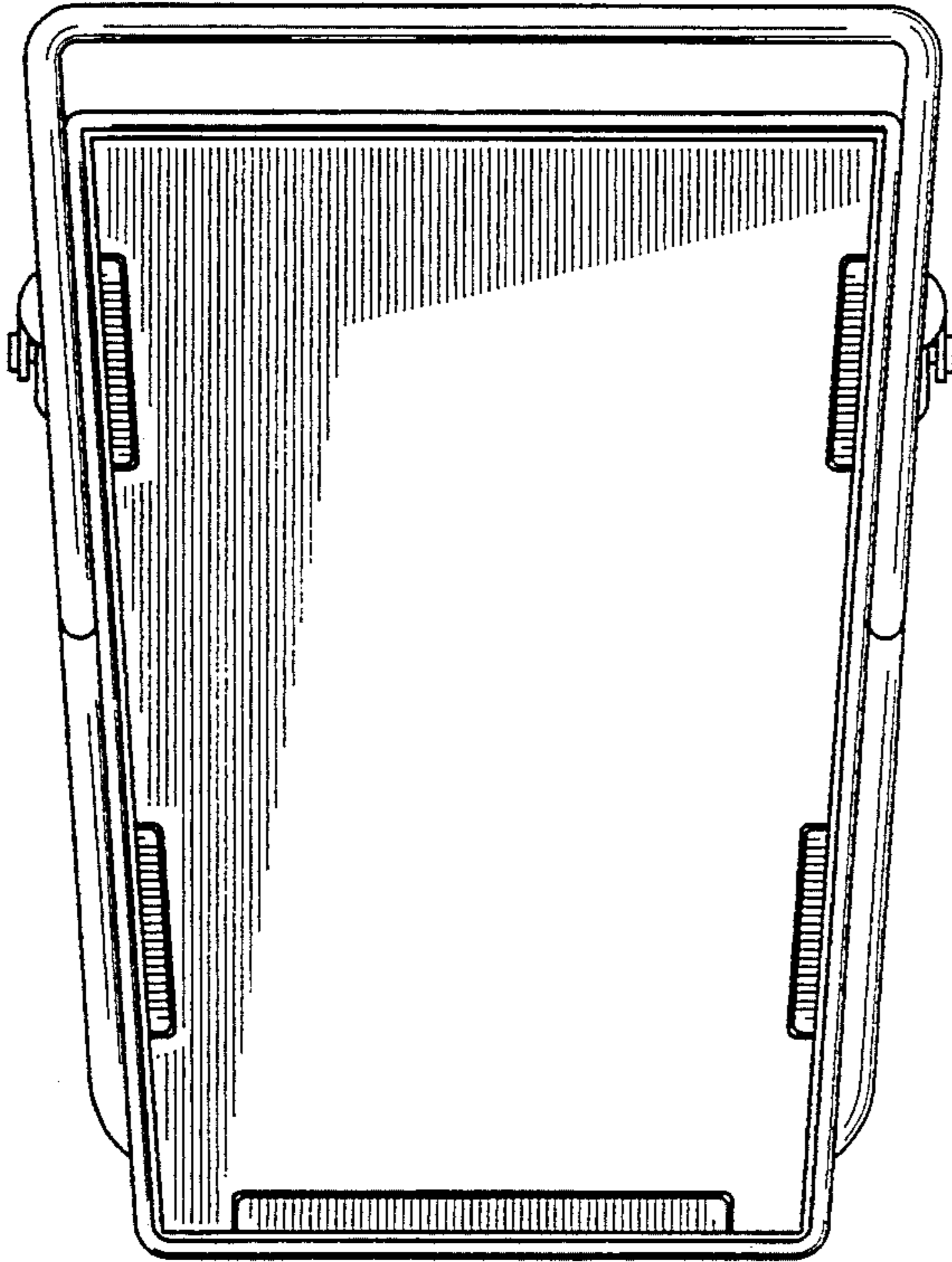


FIG. 6

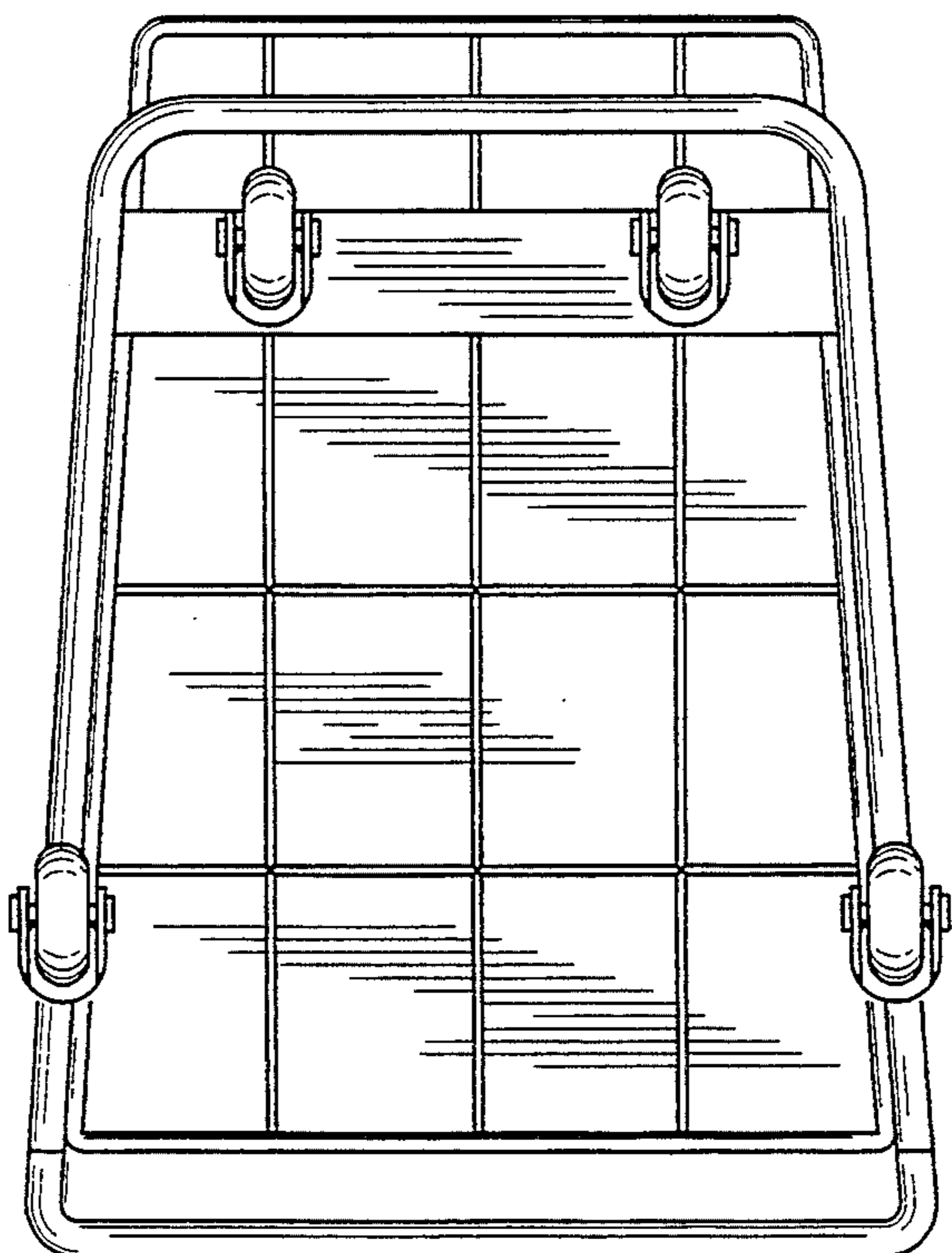


FIG. 7

