



US00D360512S

United States Patent [19]

McKenna

[11] Patent Number: Des. 360,512

[45] Date of Patent: ** Jul. 18, 1995

[54] SECURE COLLECTION CONTAINER COVER

[75] Inventor: John F. McKenna, Duxbury, Mass.

[73] Assignee: Capital Paper Recycling, Inc., E. Weymouth, Mass.

[**] Term: 14 Years

[21] Appl. No.: 27,275

[22] Filed: Aug. 19, 1994

[52] U.S. Cl. D34/11

[58] Field of Search D34/1, 5-11; D32/37; 232/43.2; 220/908-911, 675; D9/434-436, 443, 499

[56] **References Cited**

U.S. PATENT DOCUMENTS

- D. 218,359 8/1970 Marsh D34/5
- D. 255,865 7/1980 Hartman et al. D34/11
- D. 263,017 2/1982 Douglas D34/11
- D. 333,199 2/1993 Long D34/11

4,749,101 6/1988 Durkan D34/5

Primary Examiner—Brian N. Vinson
Assistant Examiner—Robin V. Taylor
Attorney, Agent, or Firm—Cesari and McKenna

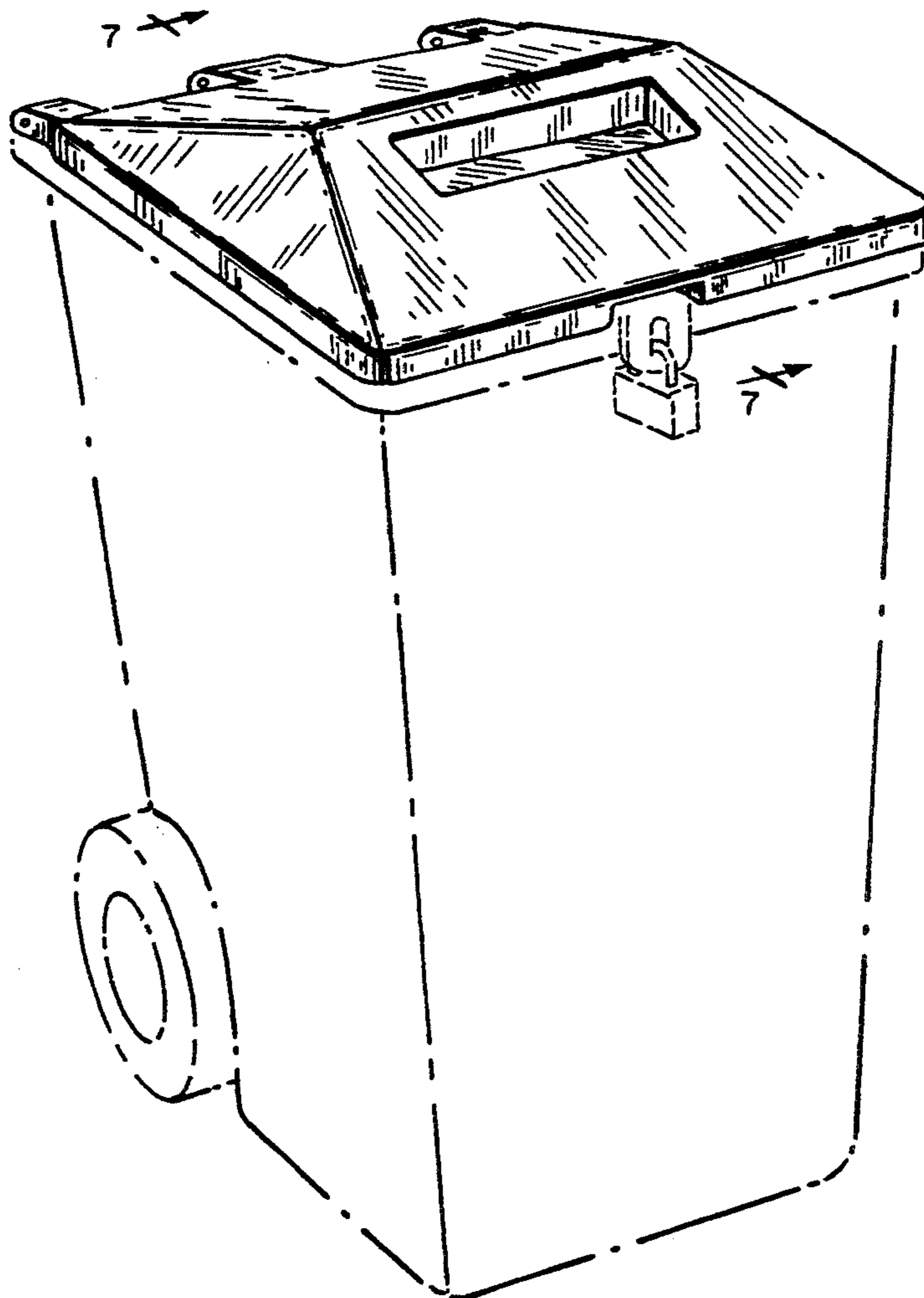
[57] **CLAIM**

The ornamental design for a secure collection container cover, as shown and described.

DESCRIPTION

FIG. 1 is a right front perspective view of a secure collection container cover showing my new design; FIG. 2 is a left side elevational view thereof on a larger scale, the right side being a mirror image of the left side; FIG. 3 is a top plan view thereof; FIG. 4 is a front elevational view thereof; FIG. 5 is a rear elevational view thereof; FIG. 6 is a bottom view thereof; and, FIG. 7 is a sectional view taken along line 7—7 of FIG. 1.

1. The broken line showing of a refuse container is for illustrative purposes only and forms no part of the claimed design.



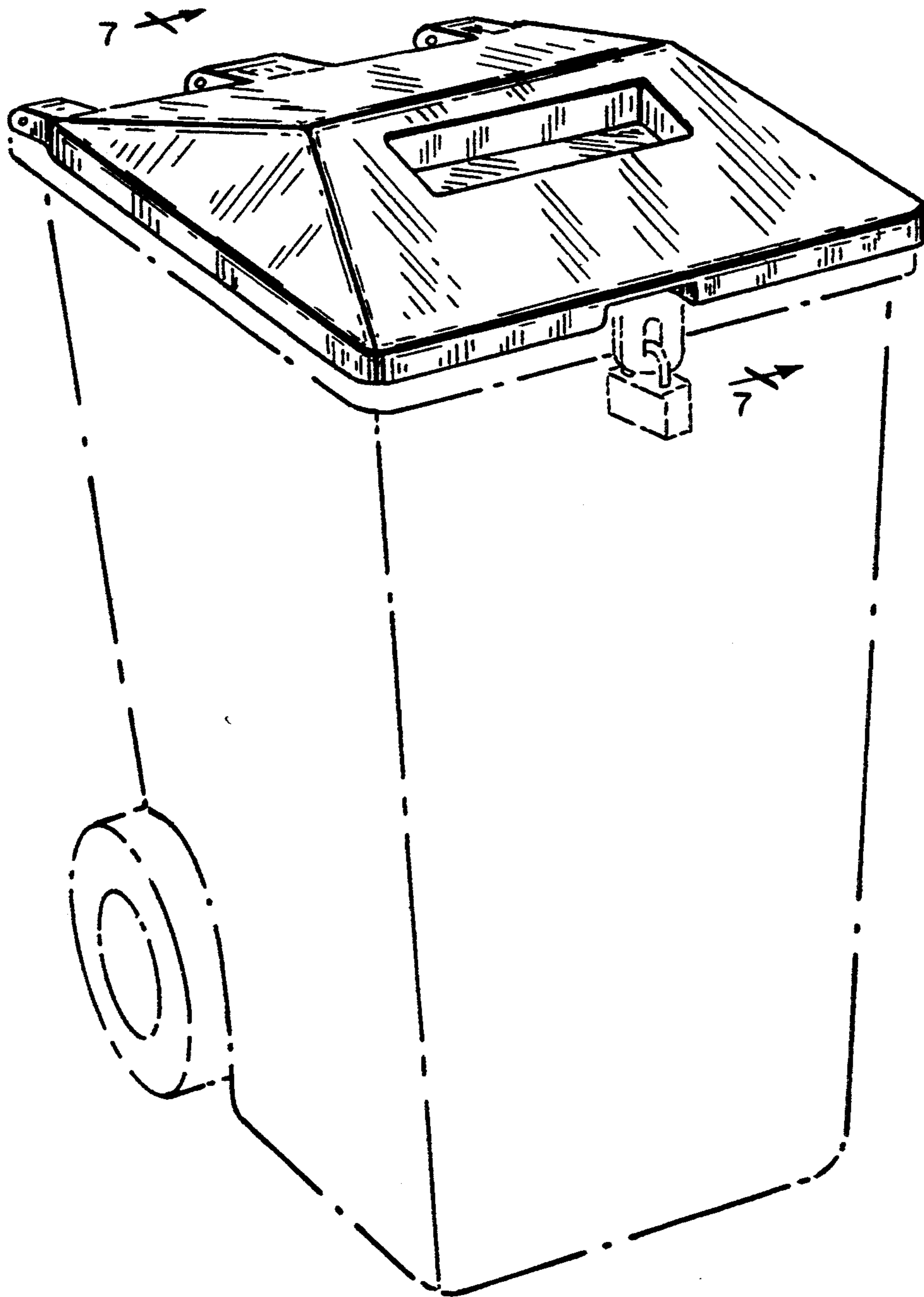


FIG. 1

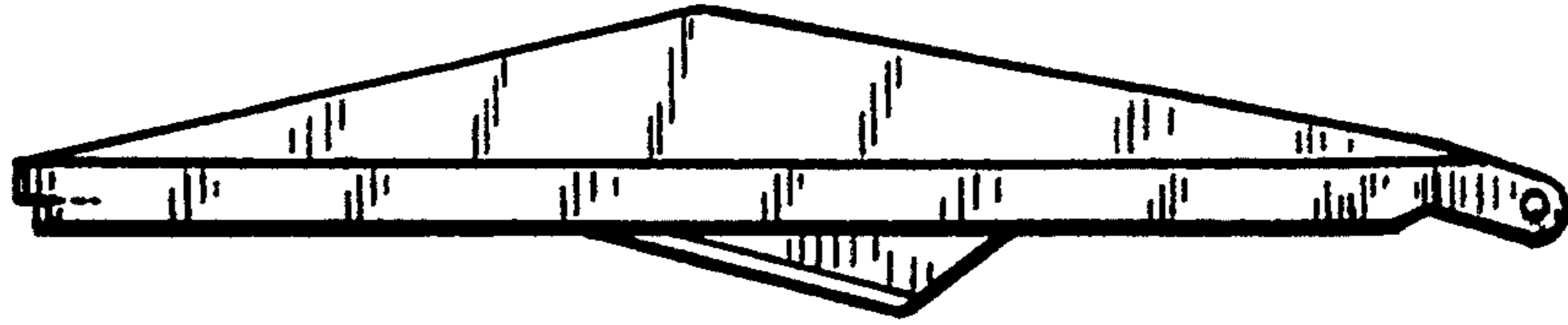


FIG. 2

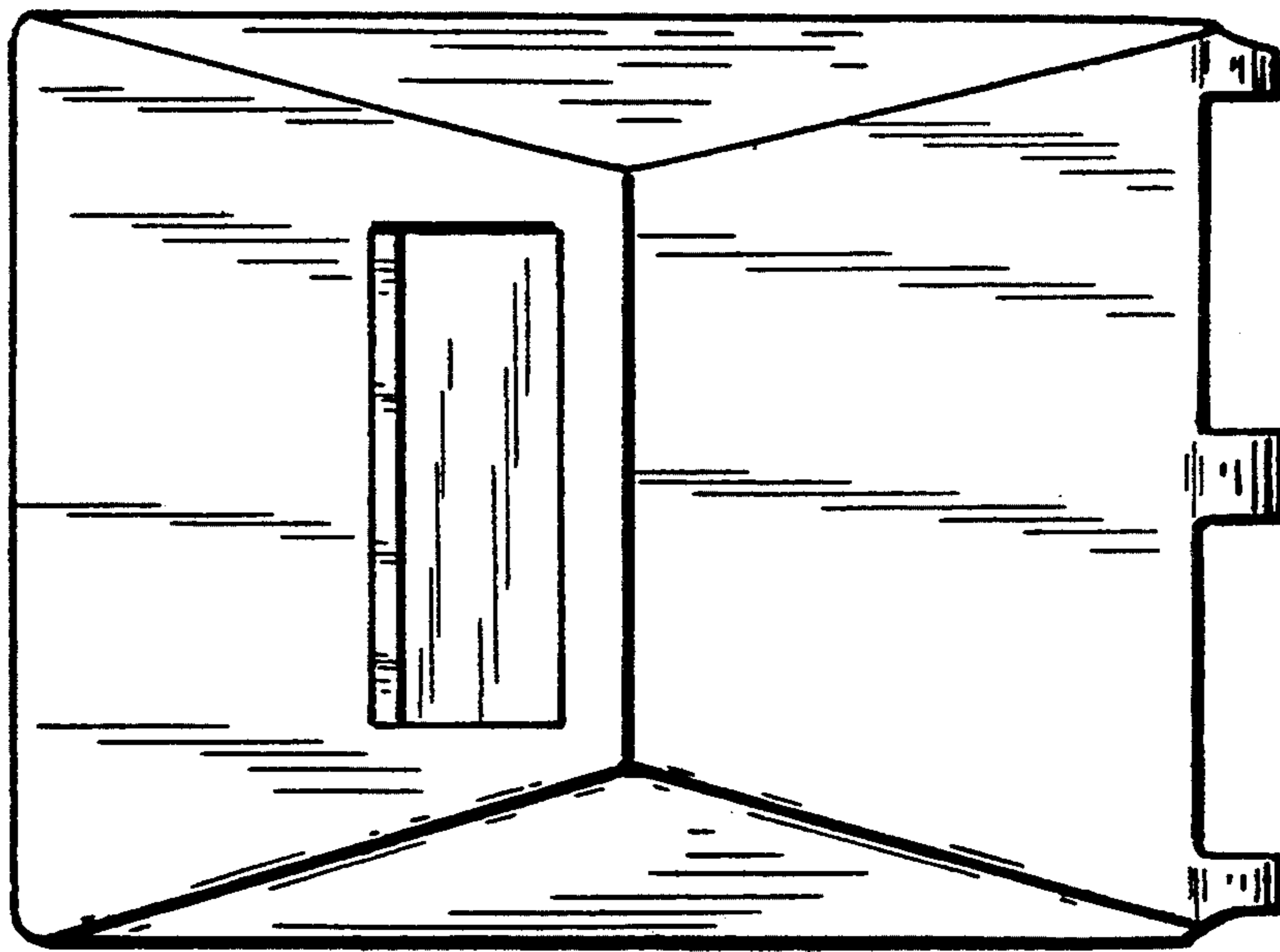


FIG. 3

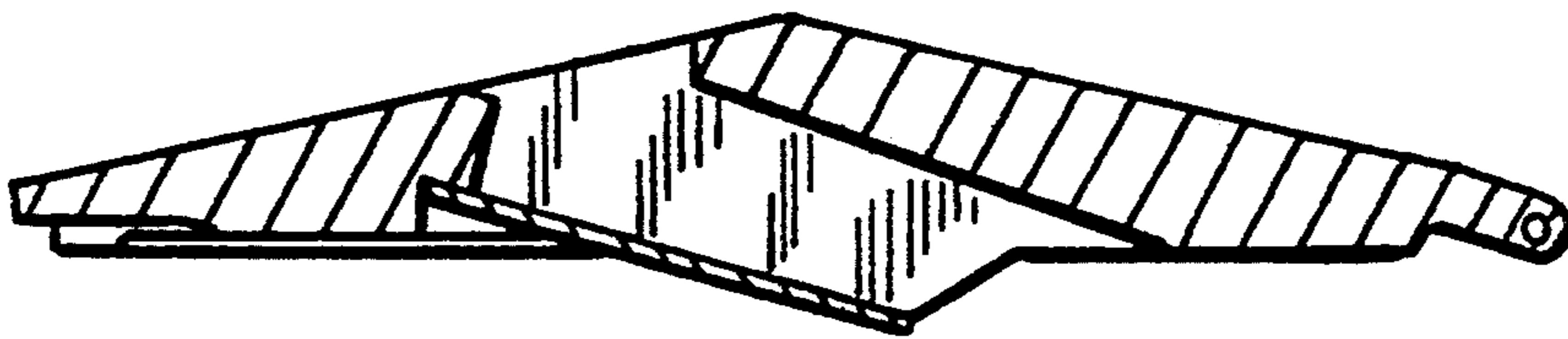


FIG. 7

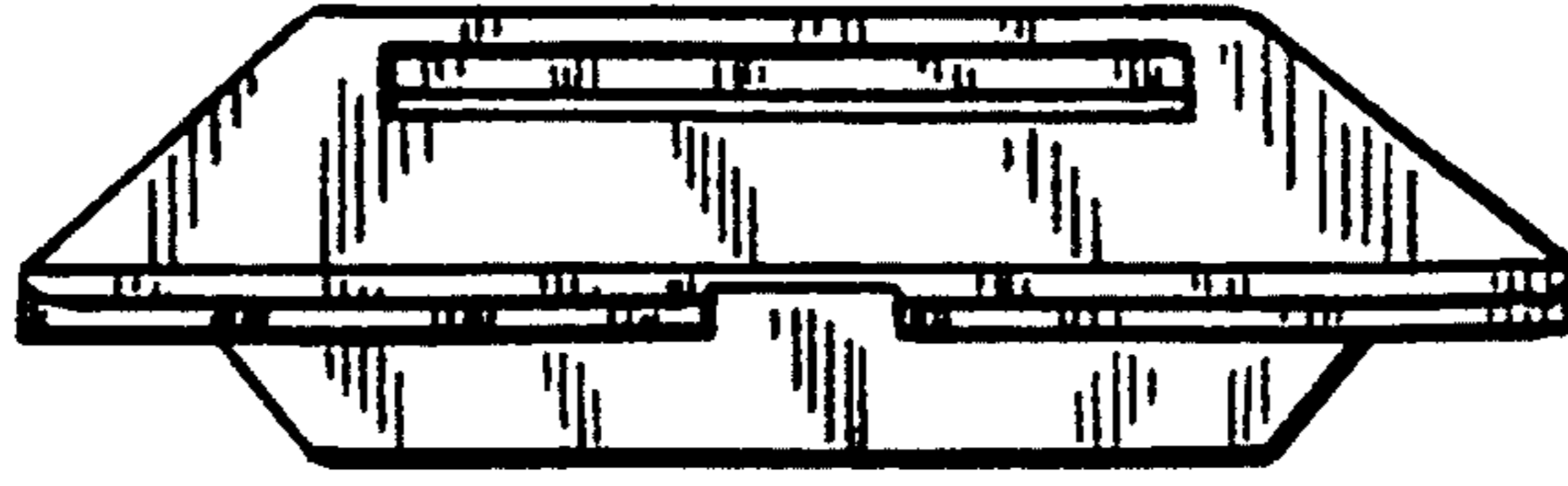


FIG. 4

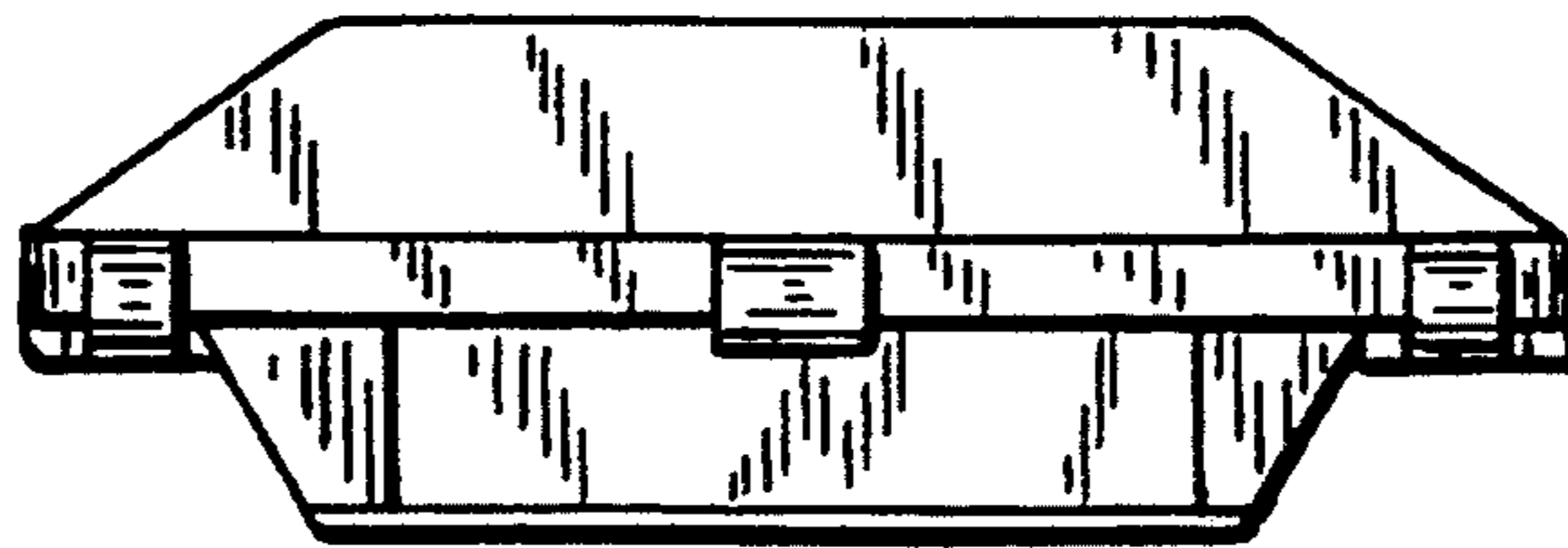


FIG. 5

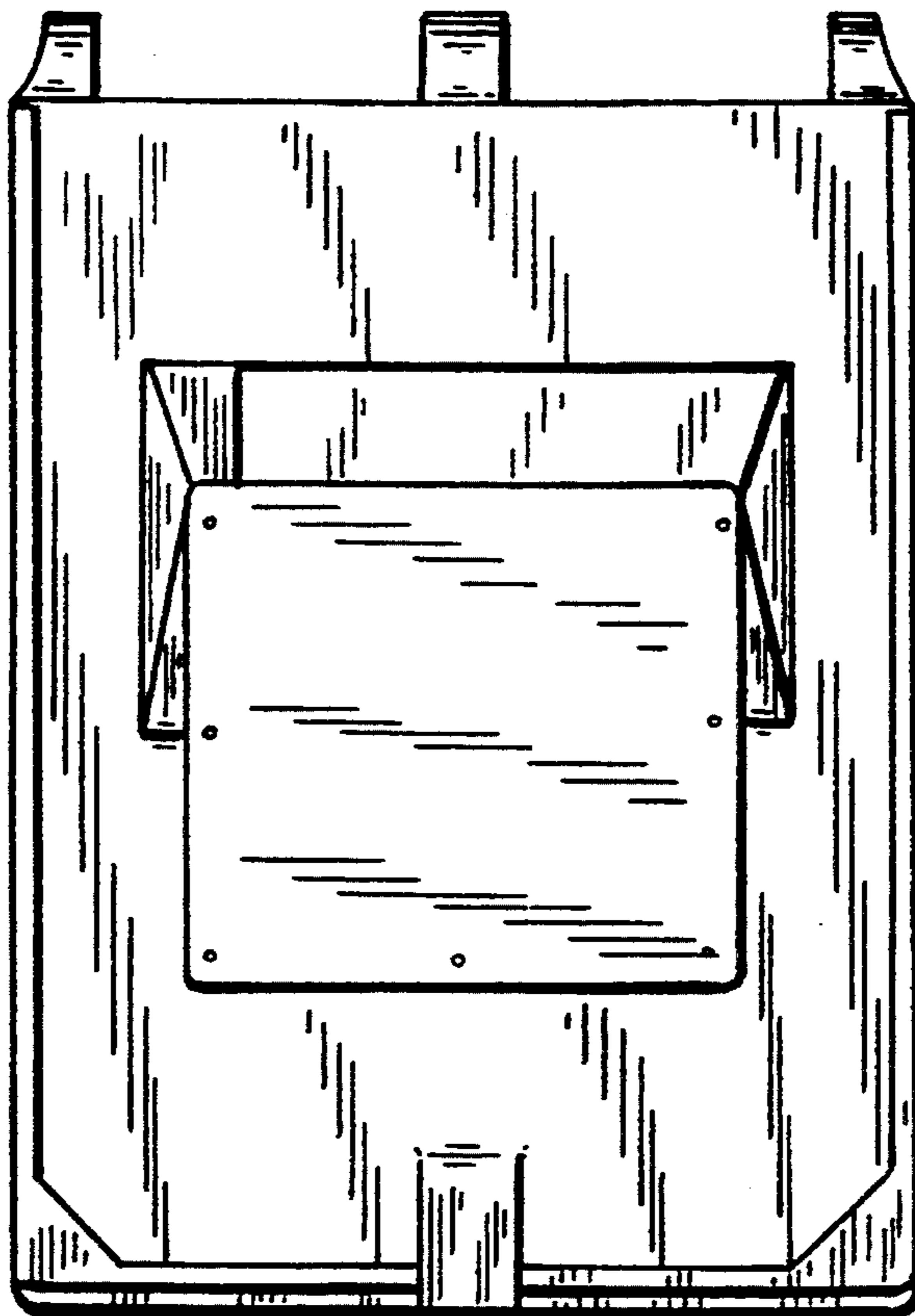


FIG. 6

UNITED STATES PATENT AND TRADEMARK OFFICE
CERTIFICATE OF CORRECTION

PATENT NO. : Des. 360,512

DATED : July 18, 1995

INVENTOR(S) : D.P. Buonagurio, Jr.

It is certified that error appears in the above-identified patent and that said Letters Patent is hereby corrected as shown below:

On the title page, items [19] & [75], " McKenna" should read - - Buonagurio- -.

Signed and Sealed this
Third Day of October, 1995

Attest:



BRUCE LEHMAN

Attesting Officer

Commissioner of Patents and Trademarks

UNITED STATES PATENT AND TRADEMARK OFFICE
CERTIFICATE OF CORRECTION

PATENT NO. : Des. 360,512

DATED : July 18, 1995

INVENTOR(S) : Daniel P. Buonagurio, Jr.

It is certified that error appears in the above-identified patent and that said Letters Patent is hereby corrected as shown below:

On title page, item [19], "McKenna" should read --Buonagurio, Jr.--

item [75], "John F. McKenna" should read --Daniel P. Buonagurio, Jr.--

This certificate of correction supersedes certificate of correction issued October 3, 1995.

Signed and Sealed this
Second Day of January, 1996

Attest:



BRUCE LEHMAN

Attesting Officer

Commissioner of Patents and Trademarks