



US00D360511S

# United States Patent [19]

[11] Patent Number: **Des. 360,511**

**Kurtzman et al.**

[45] Date of Patent: **\*\* Jul. 18, 1995**

[54] **SUPPORT FRAME FOR FLEXIBLE BAGS WITH HANDLES**

[76] Inventors: **Michael R. Kurtzman; Meehyun Kim**, both of 840 California St., Apt. 57, San Francisco, Calif. 94108

[\*\*] Term: **14 Years**

[21] Appl. No.: **21,502**

[22] Filed: **Apr. 19, 1994**

[52] U.S. Cl. .... **D34/6**

[58] Field of Search ..... **D34/1, 5, 6; 248/95, 248/99, 100, 101**

[56] **References Cited**

**U.S. PATENT DOCUMENTS**

D. 277,707	2/1985	Rico	.....	D34/6
D. 279,616	7/1985	Deacon	.....	D34/6
D. 280,457	9/1985	Gatward	.....	D34/6
D. 286,217	10/1986	Waun et al.	.....	D34/6
4,695,020	9/1987	Collins	.....	D34/6

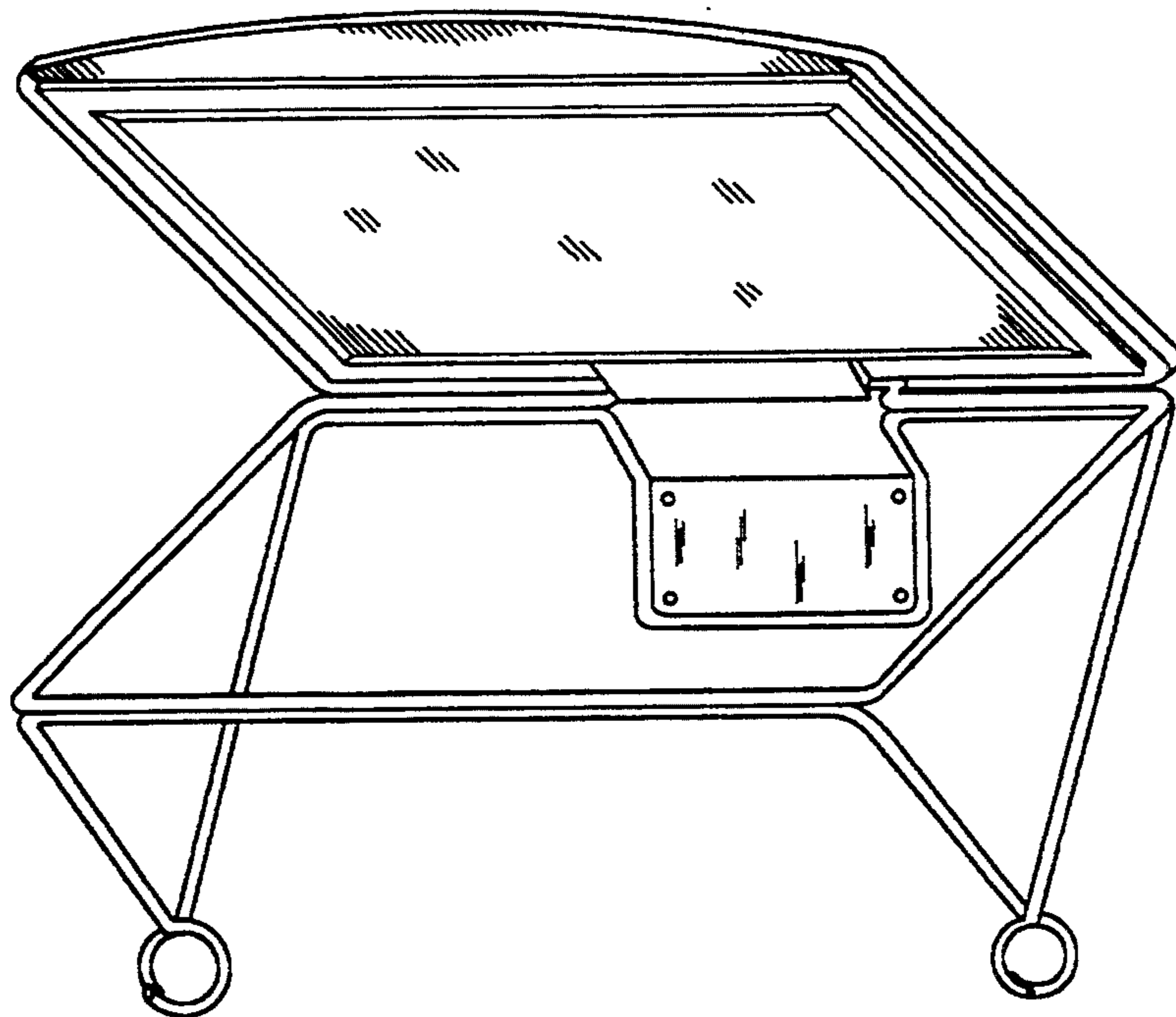
*Primary Examiner*—Brian N. Vinson  
*Assistant Examiner*—Robin V. Taylor

[57] **CLAIM**

The ornamental design for a support frame for flexible bags with handles, as shown.

**DESCRIPTION**

FIG. 1 is a front perspective view of a support frame for flexible bags with handles showing our new design; FIG. 2 is a top plan view of the frame portion thereof; with the lid omitted for clarity of illustration; FIG. 3 is a front elevational view thereof; FIG. 4 is a rear elevational view thereof; FIG. 5 is a side elevational view thereof, the opposite side being a mirror image; FIG. 6 is a reduced top perspective view of the frame portion thereof; the lid omitted for clarity of illustration; FIG. 7 is a top plan view thereof; FIG. 8 is a bottom view thereof; FIG. 9 is a side elevational view of the lid portion thereof; the frame omitted for clarity of illustration, the opposite side being a mirror image; FIG. 10 is a front elevational view of the lid portion thereof; the frame omitted for clarity of illustration; and, FIG. 11 is a rear view of the lid portion thereof; the frame omitted for clarity of illustration.



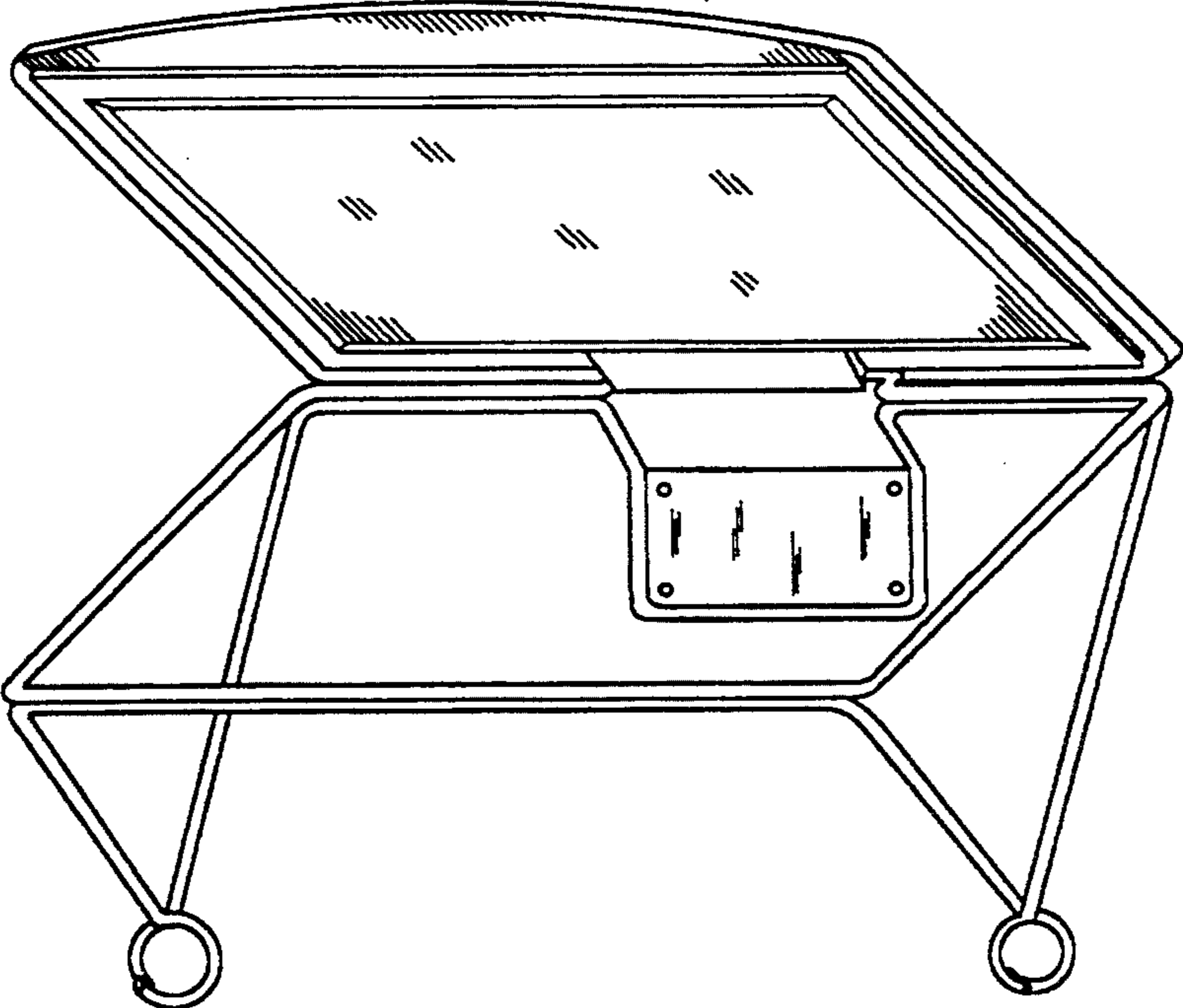


Fig.1

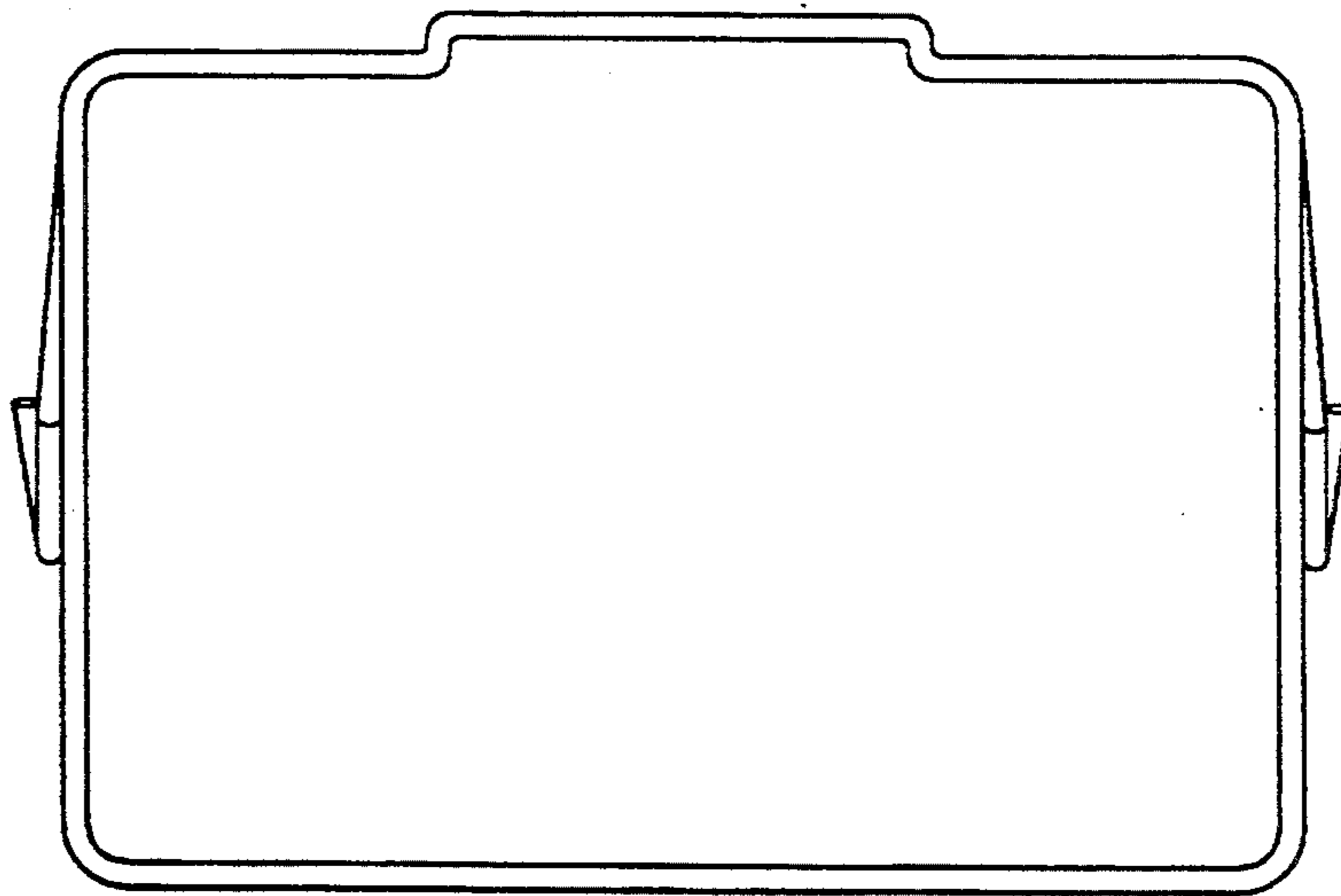


Fig.2

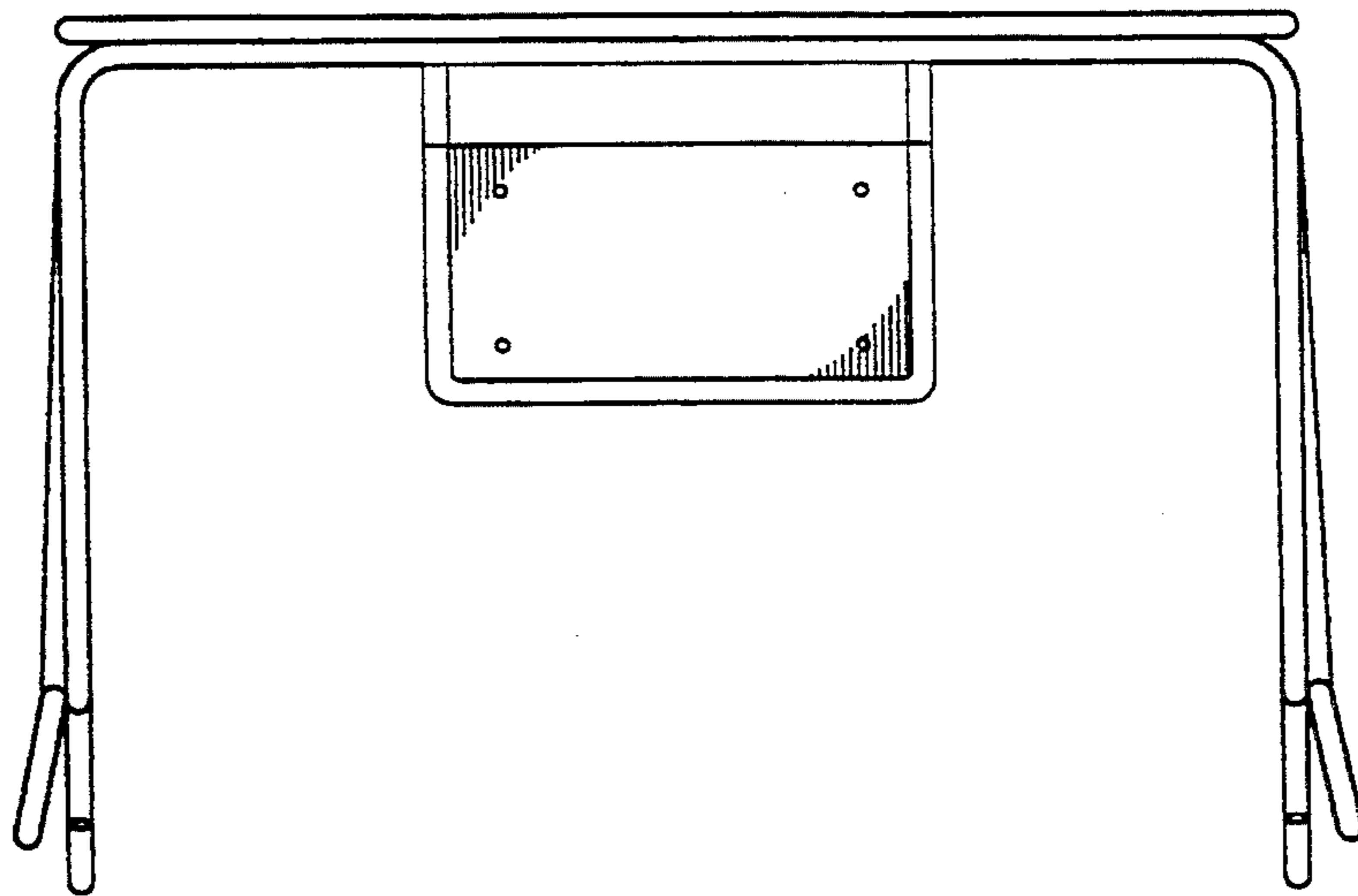


Fig.3

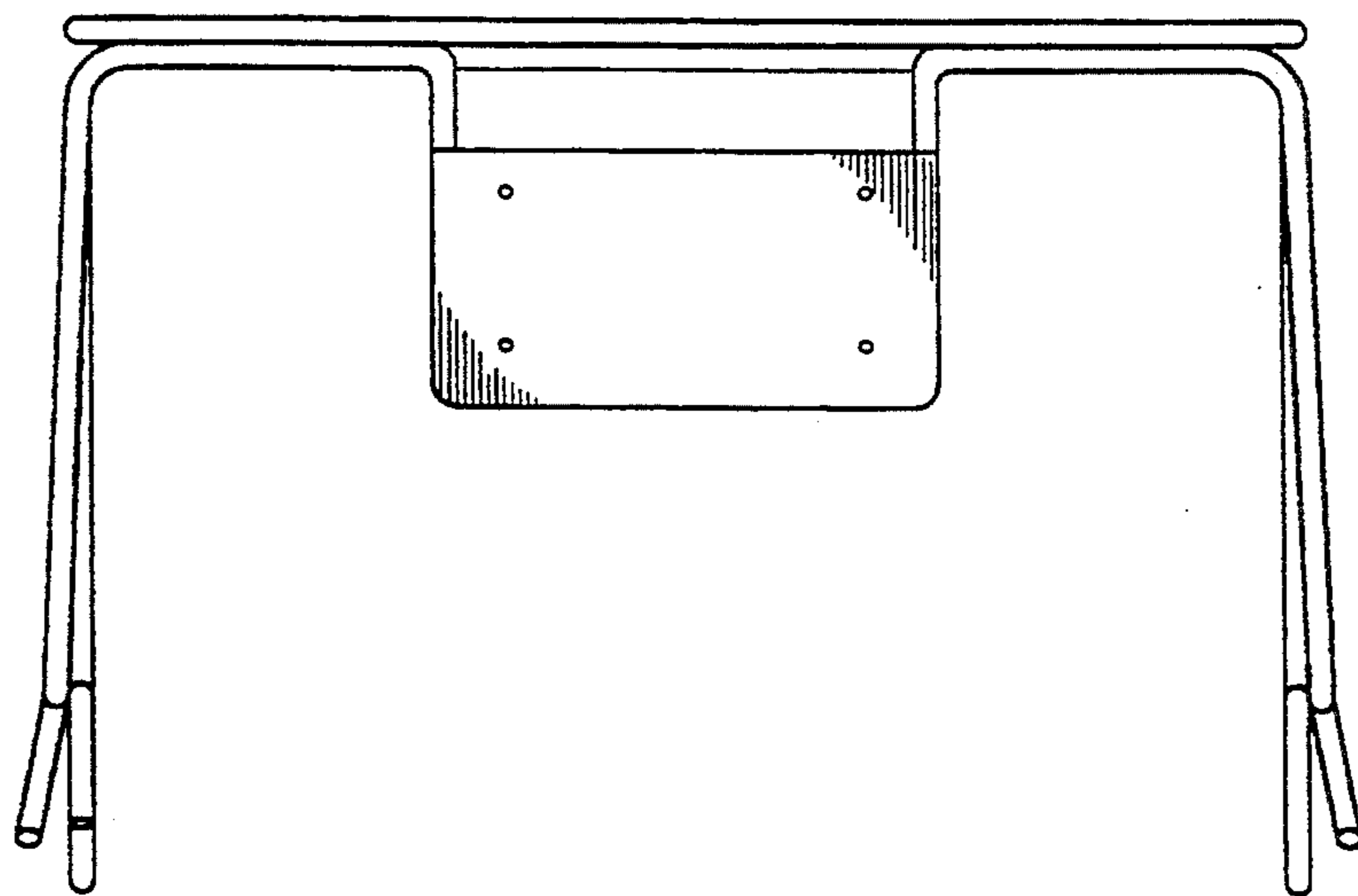


Fig. 4

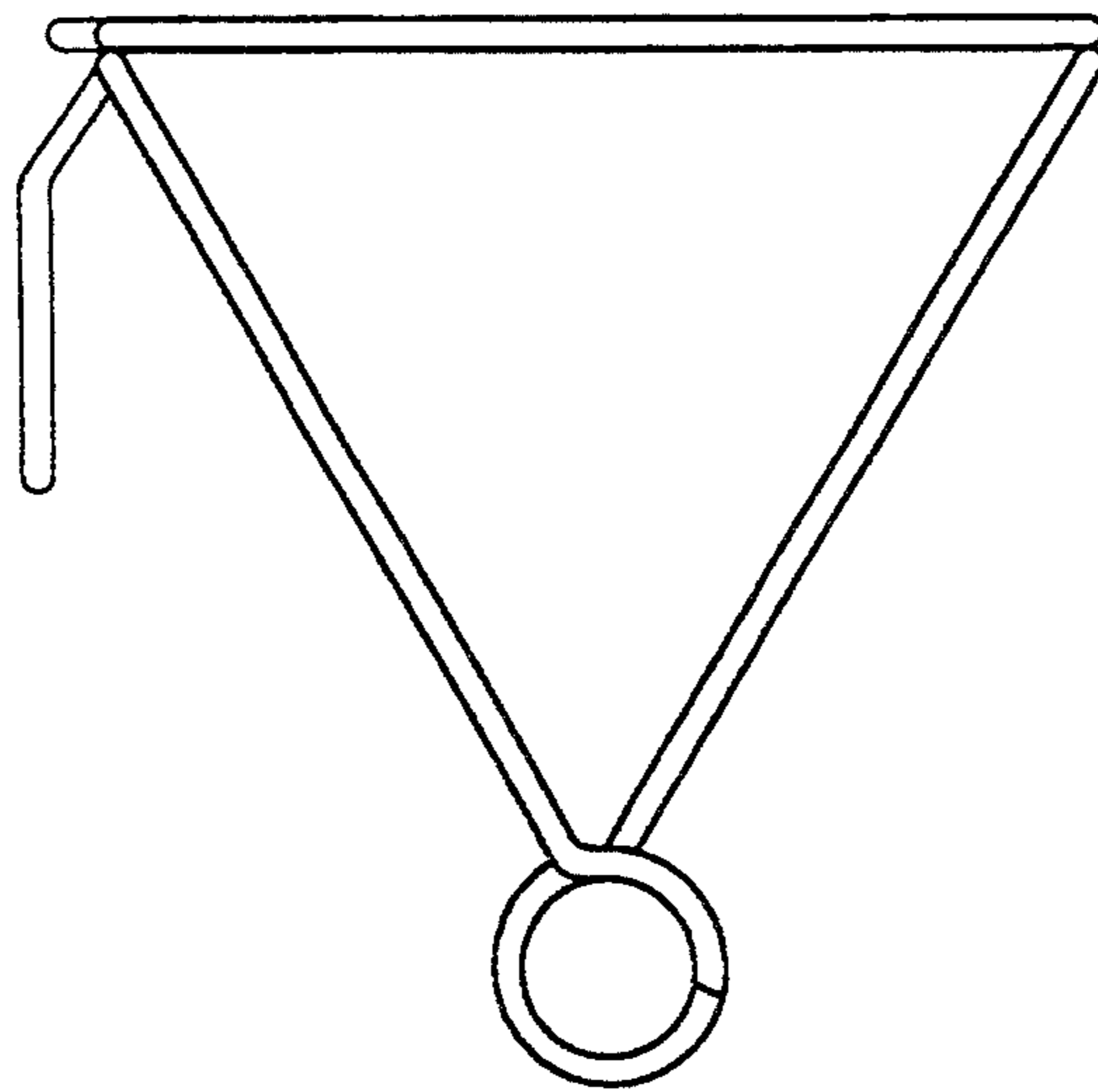


Fig.5

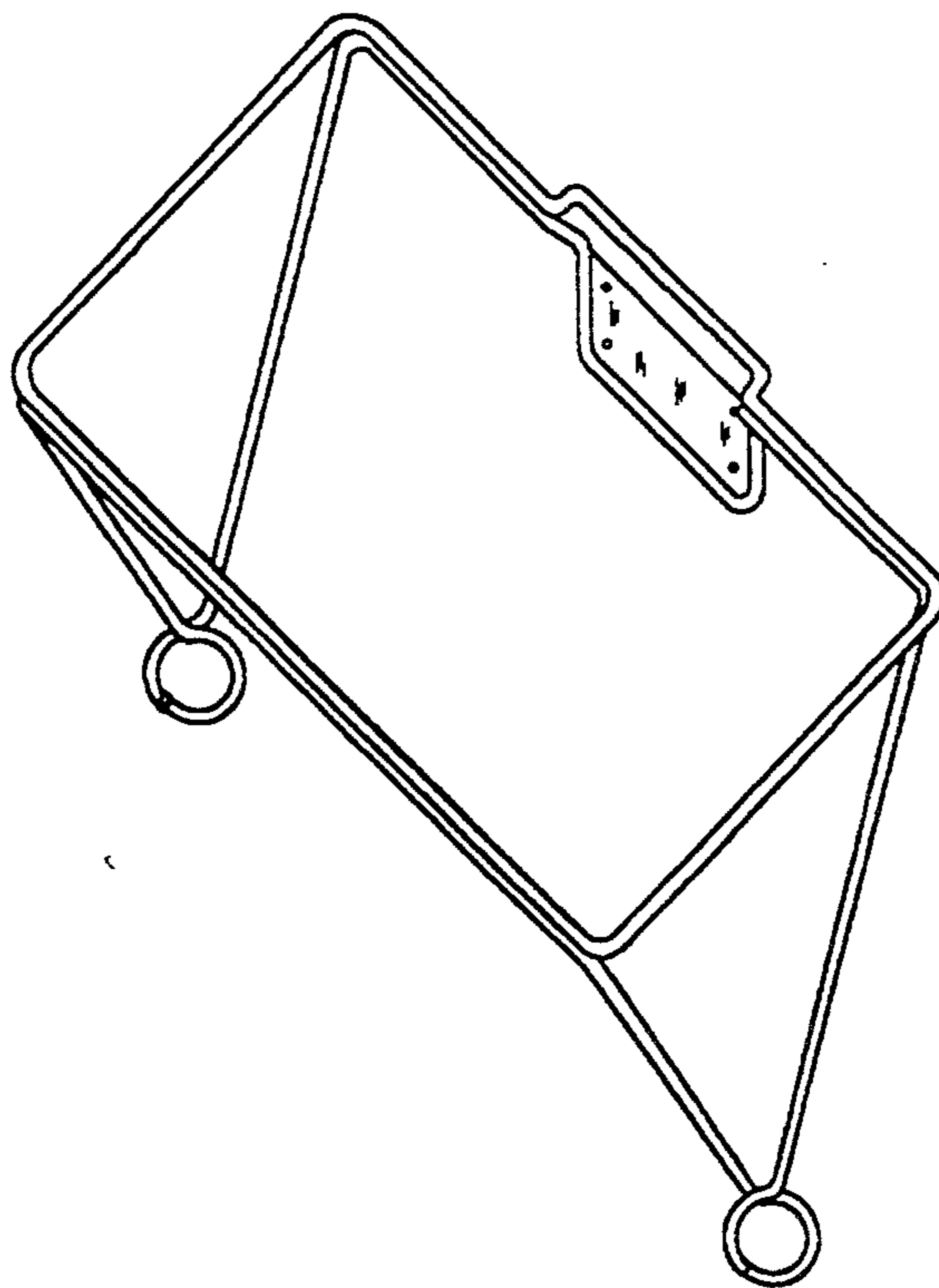


Fig.6

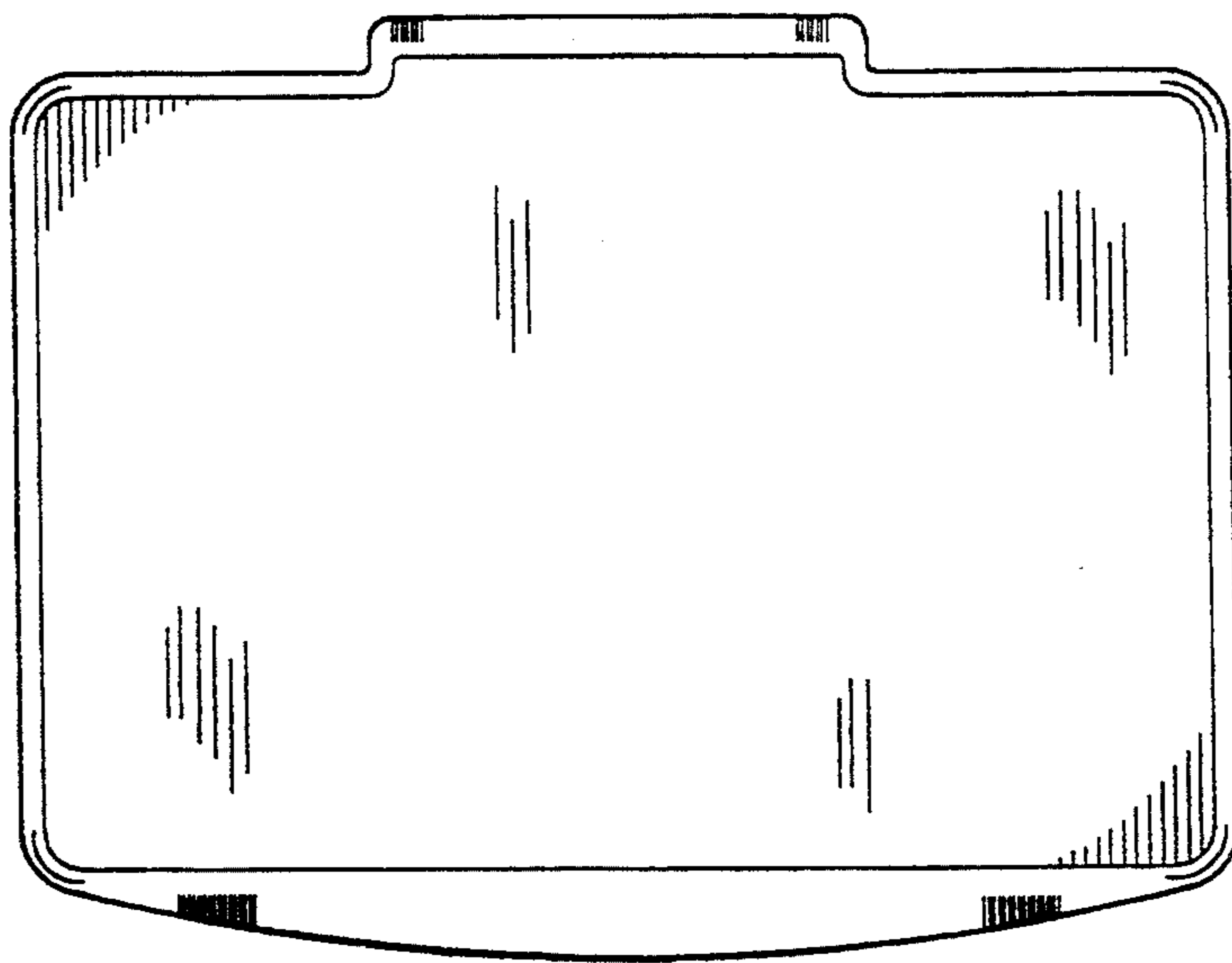


Fig.7



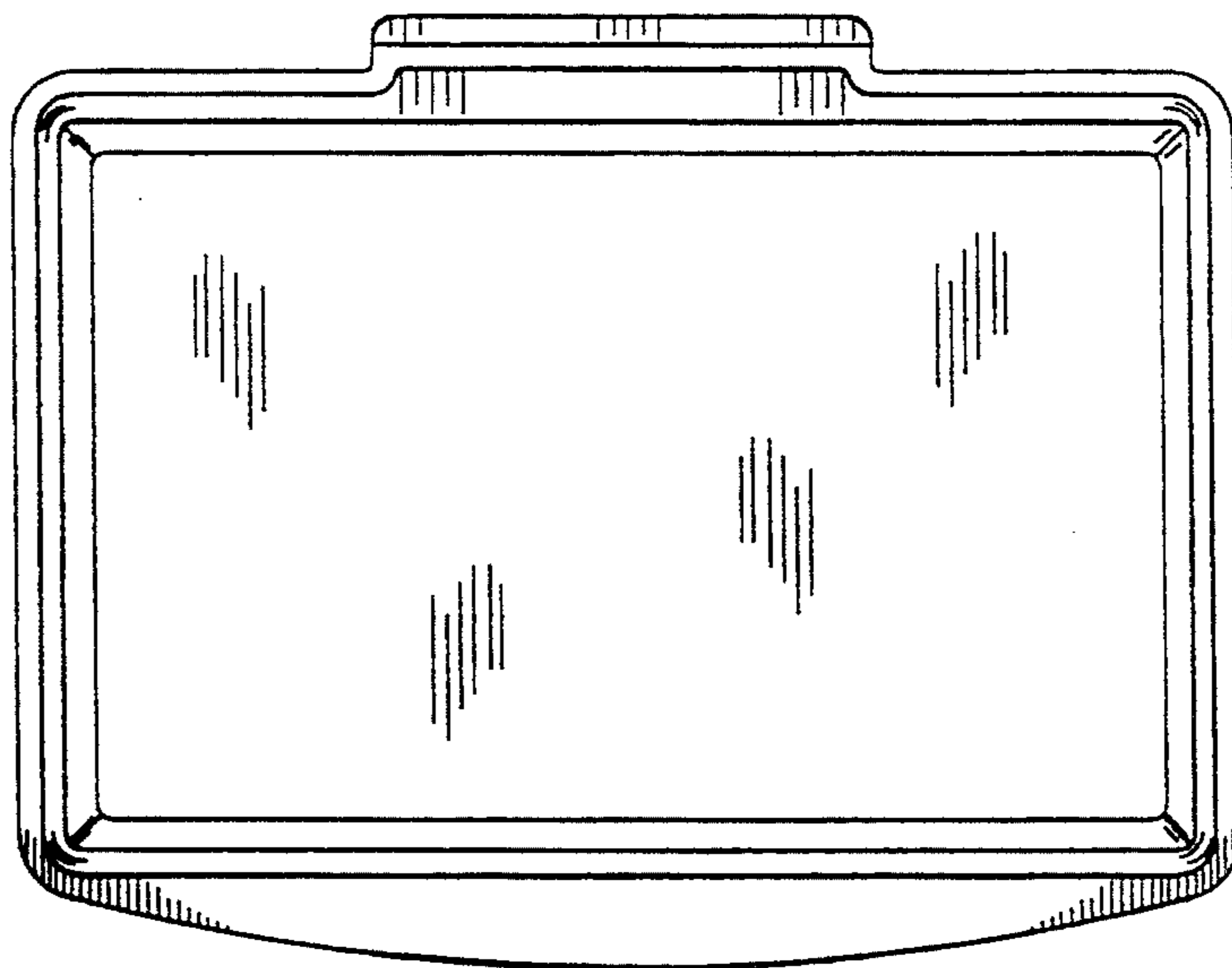


Fig.8

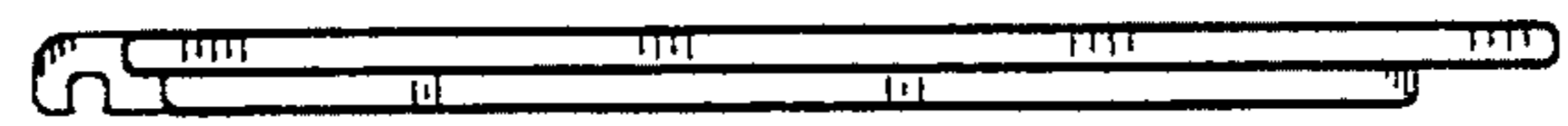


Fig.9

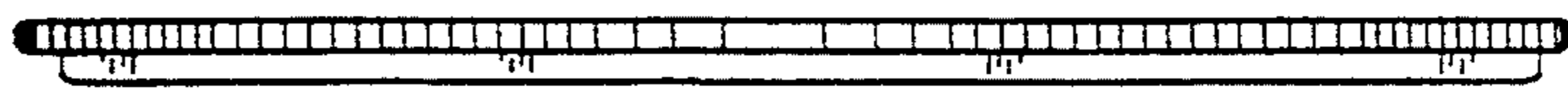


Fig.10



Fig. 11