



US00D360509S

United States Patent [19]

[11] Patent Number: **Des. 360,509**

Maeda et al.

[45] Date of Patent: **** Jul. 18, 1995**

[54] STEAM IRON

D. 342,811	12/1993	Cheung	D32/17
D. 342,814	12/1993	Bergeron	D32/70
D. 349,986	8/1994	Correa	D32/70

[75] Inventors: **Masakatsu Maeda, Nara; Rika Tezuchi, Hyogo, both of Japan**

[73] Assignee: **Matsushita Electric Industrial Co., Ltd., Osaka, Japan**

[**] Term: **14 Years**

[21] Appl. No.: **22,452**

[22] Filed: **May 5, 1994**

[52] U.S. Cl. **D32/70**

[58] Field of Search **D32/17-18, D32/68-70; 15/344; 223/51; 68/222; 38/69, 70, 77.4, 77.5, 77.7, 77.8, 77.9, 88, 90**

[56] **References Cited**

U.S. PATENT DOCUMENTS

D. 127,506	5/1941	Russell	D32/70
D. 165,909	2/1952	Collura	D32/70
D. 294,987	3/1988	Muller et al.	D32/17
D. 301,074	5/1989	Terraillon	D32/70
D. 316,465	4/1991	Reuferscheid et al.	D32/17
D. 340,330	10/1993	Seguljic	D32/70

OTHER PUBLICATIONS

Catalog "National's" issued May 1993 (p. 5 in particular).

Primary Examiner—Ruth McInroy
Attorney, Agent, or Firm—Sughrue, Mion, Zinn, Macpeak & Seas

[57] **CLAIM**

The ornamental design for a steam iron, as shown.

DESCRIPTION

FIG. 1 is a perspective view of the top, front and right side of a steam iron showing our new design; FIG. 2 is a front elevational view thereof; FIG. 3 is a rear elevational view thereof; FIG. 4 is a side elevational view of the right side thereof; FIG. 5 is a side elevational view of the left side thereof; FIG. 6 is a top plan view thereof; and, FIG. 7 is a bottom plan view thereof.

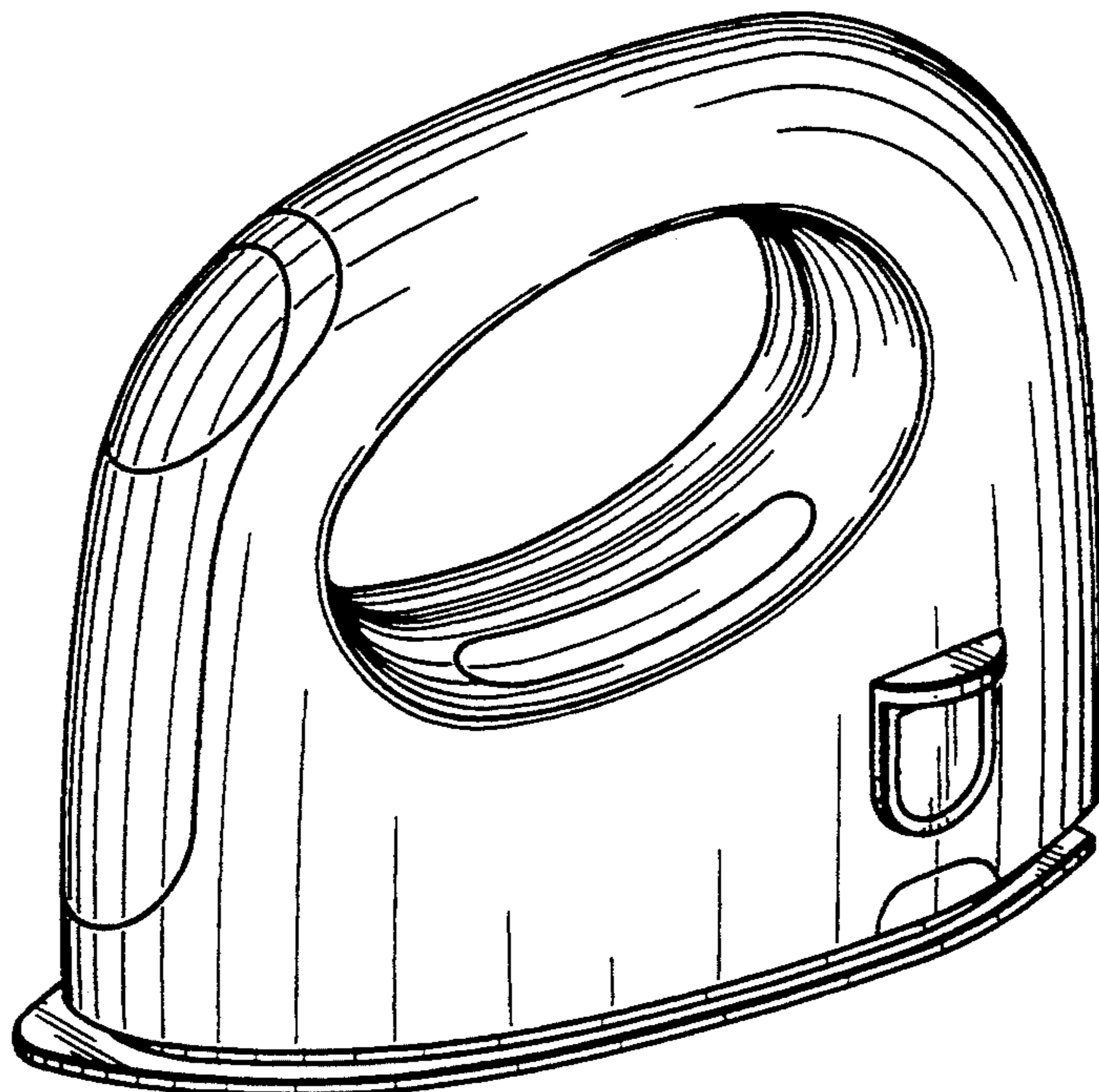


FIG. 1

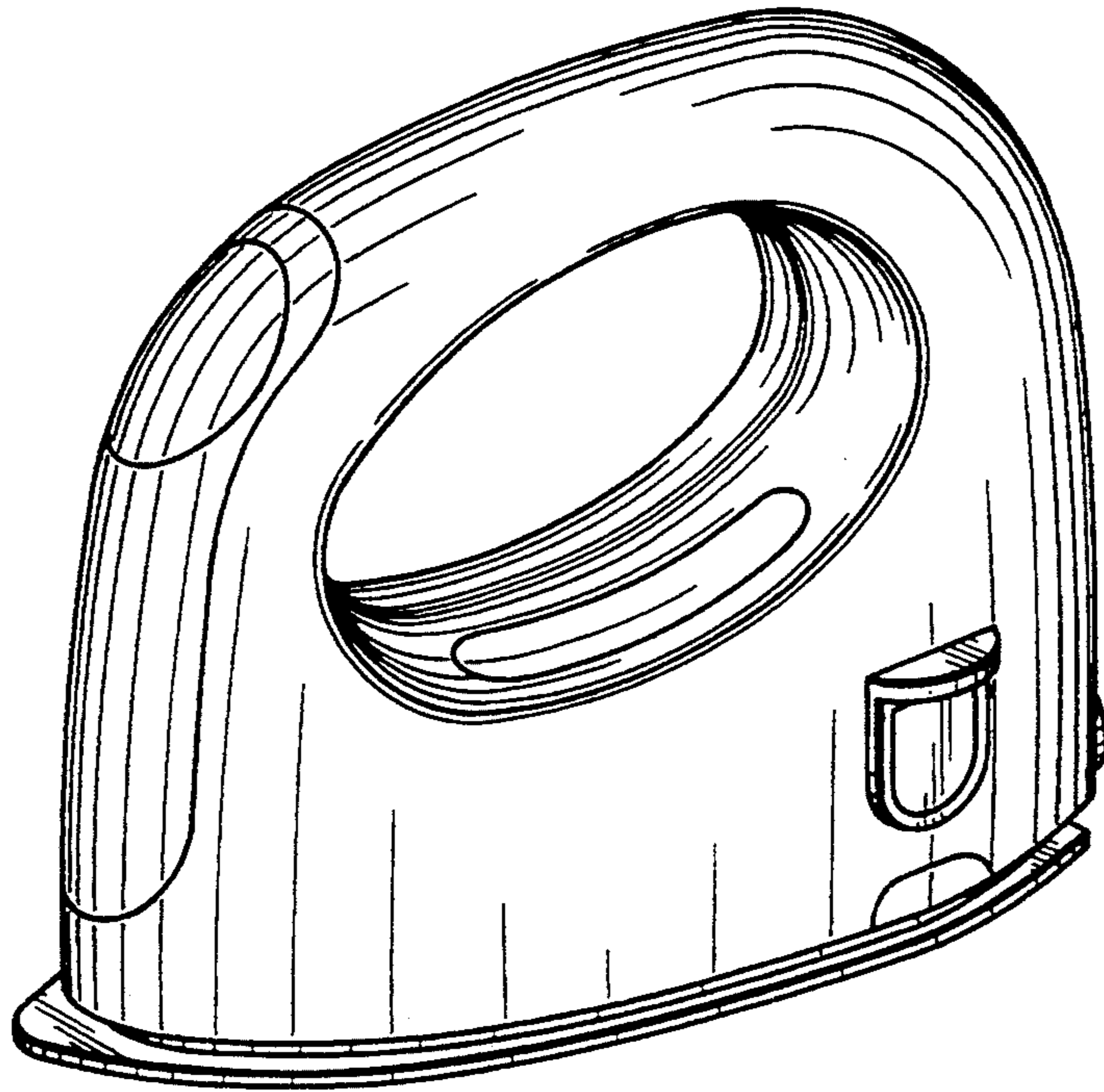


FIG. 2

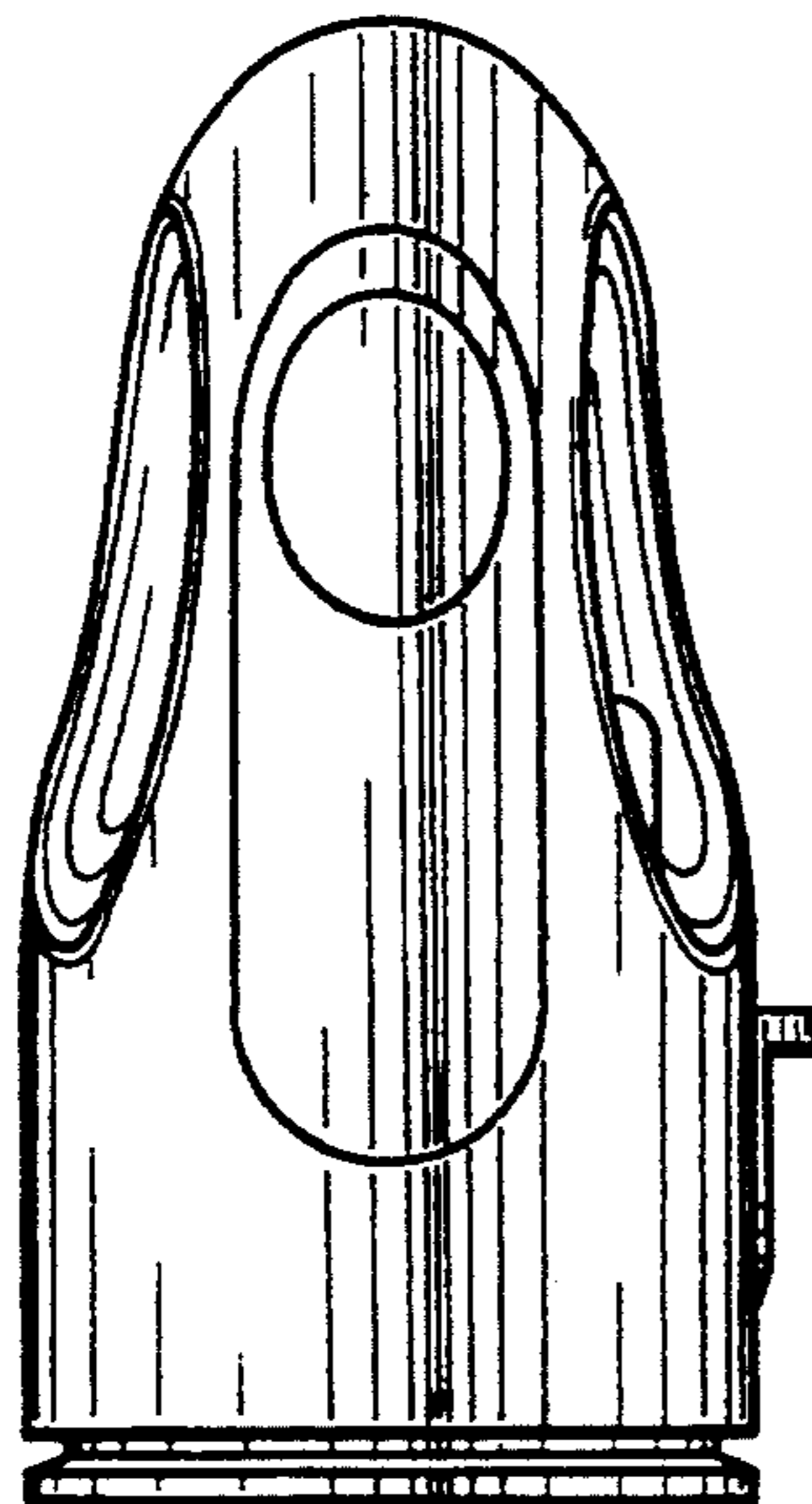


FIG. 3

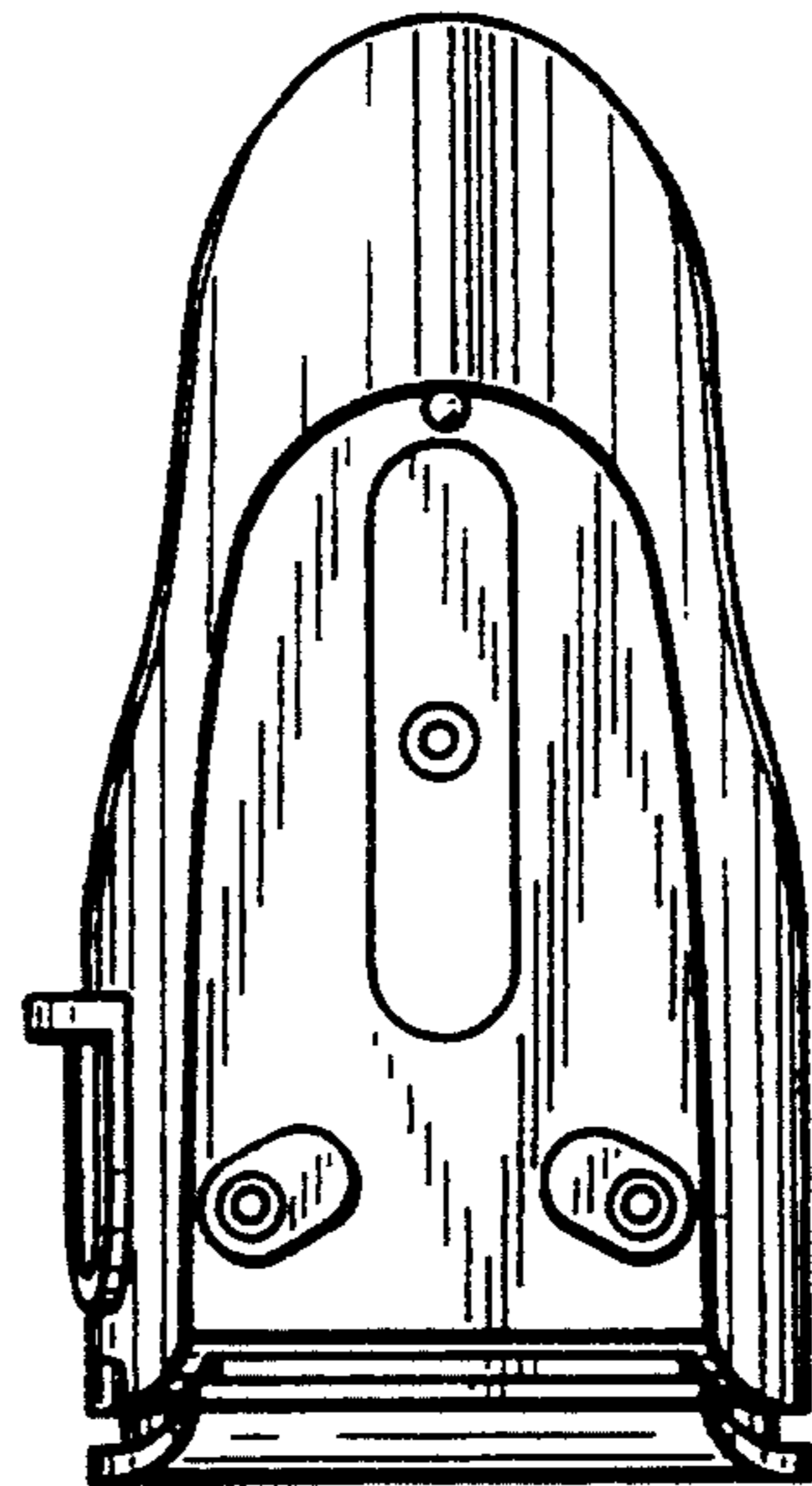


FIG. 4

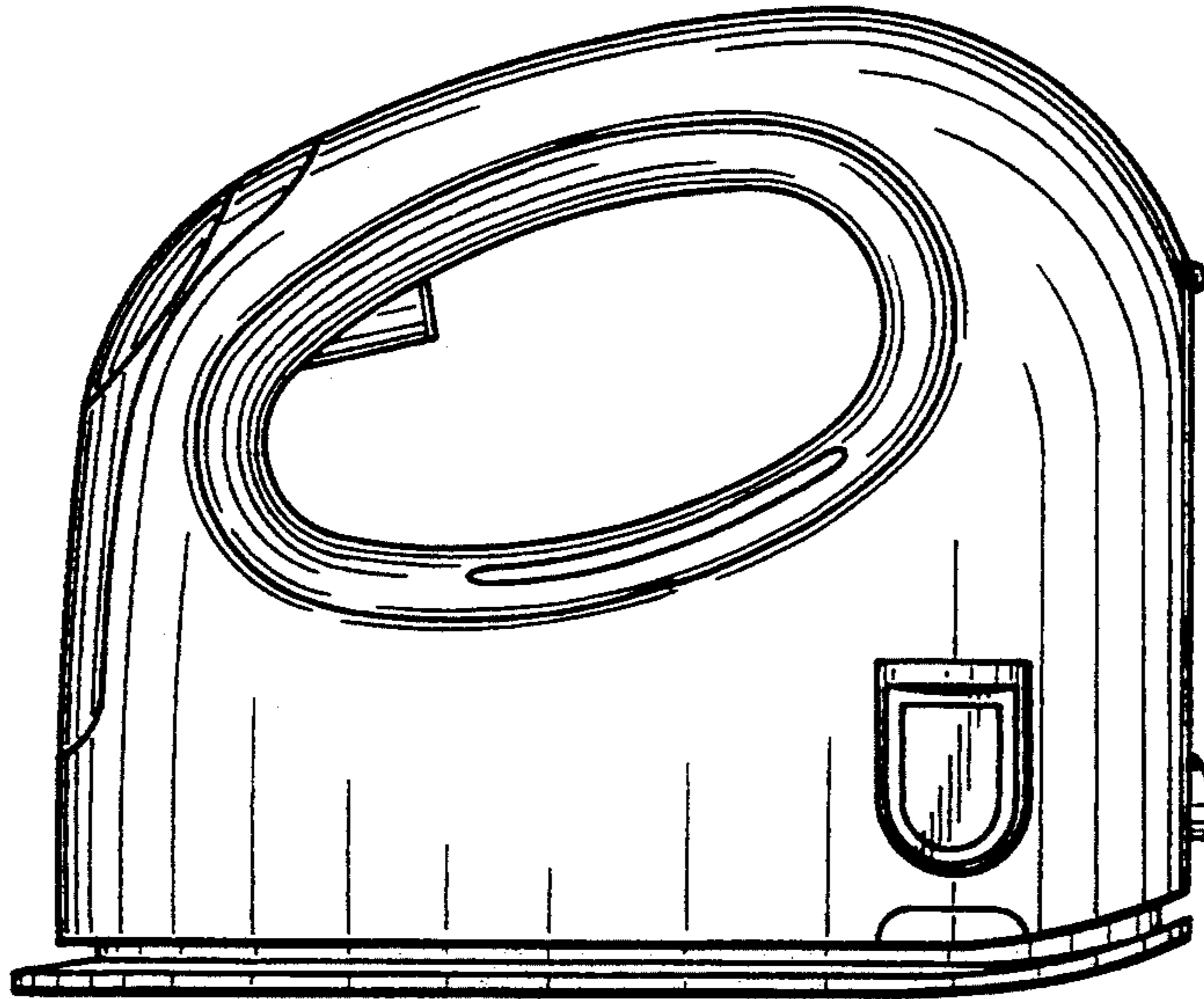


FIG. 5

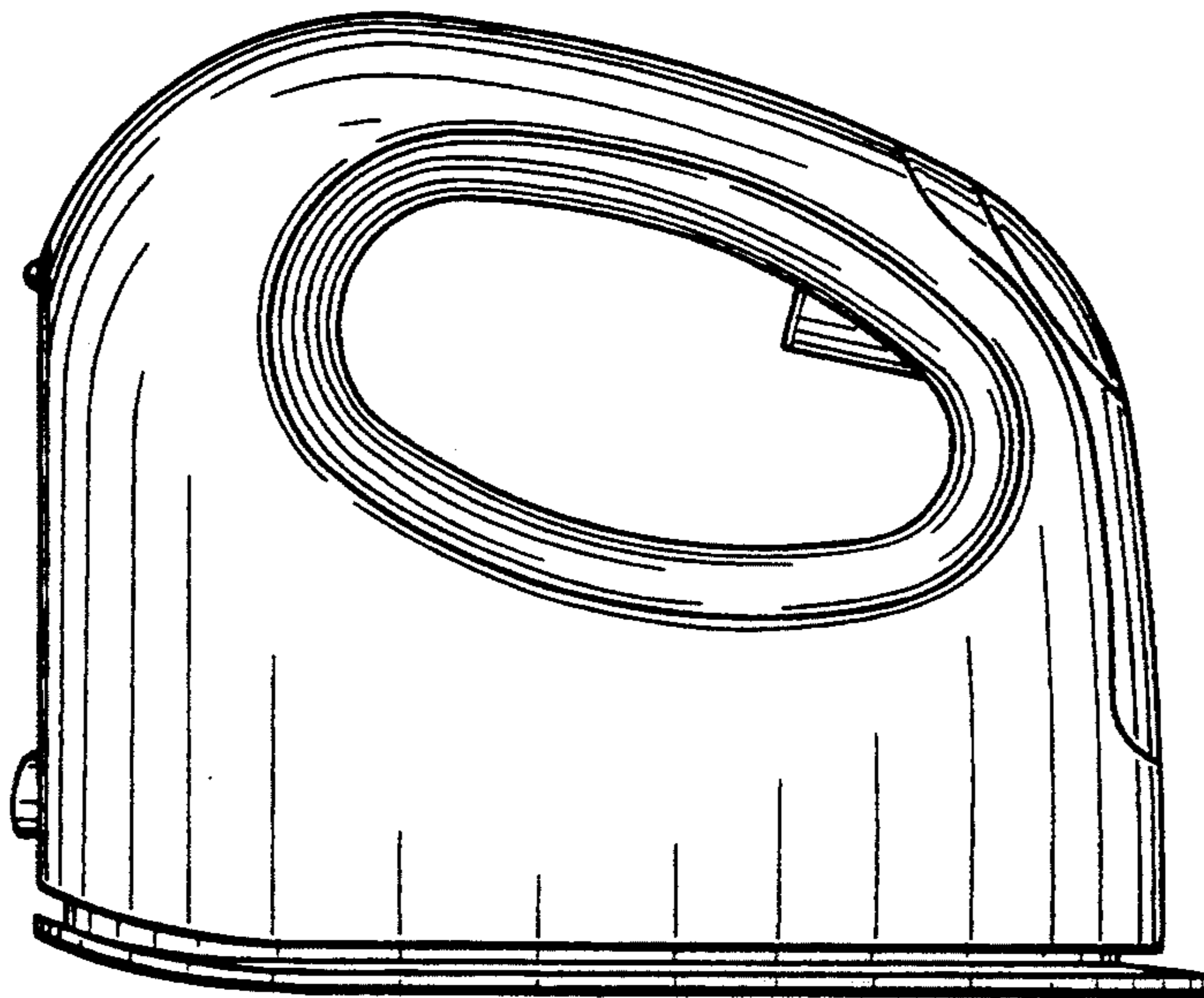


FIG. 6

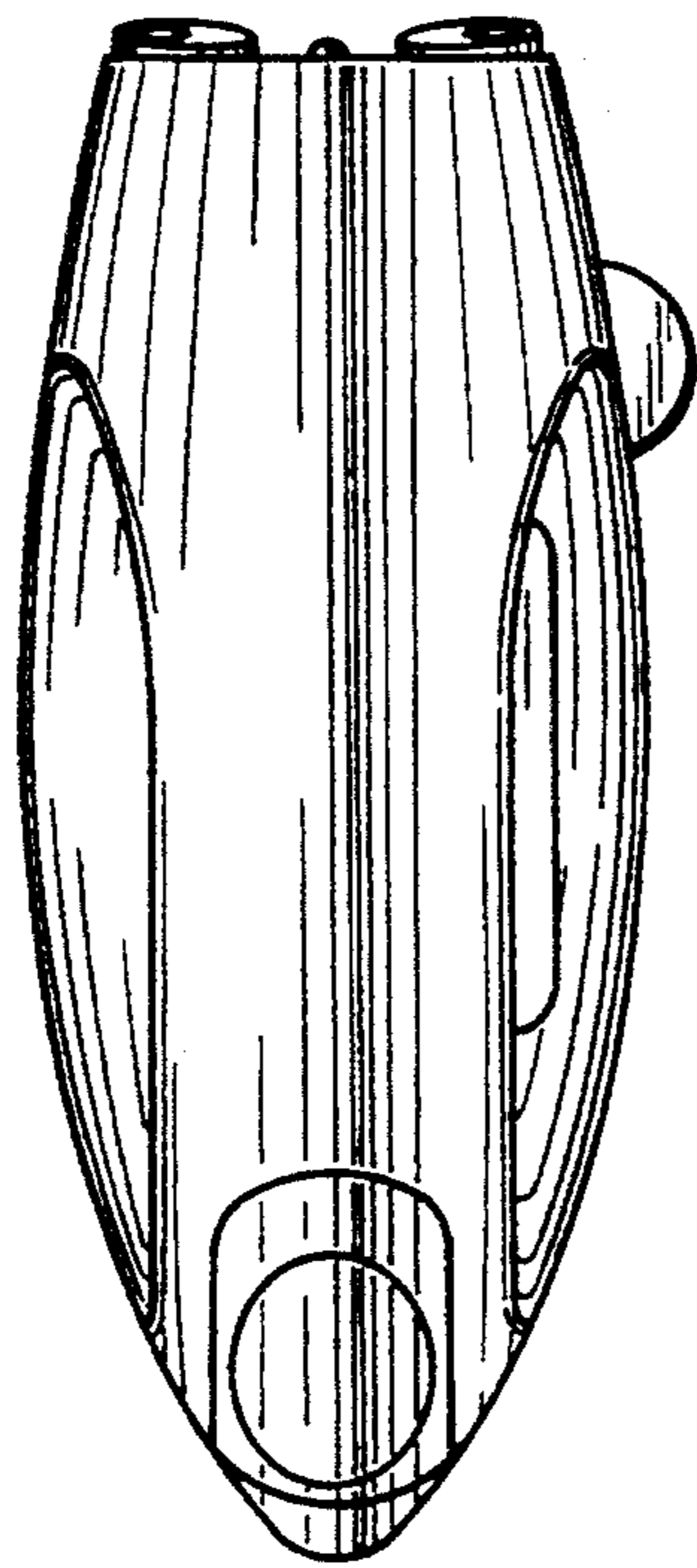


FIG. 7

