



US00D360506S

United States Patent [19]

[11] Patent Number: **Des. 360,506**

McPherson

[45] Date of Patent: **** Jul. 18, 1995**

[54] SCRAPING TOOL

D. 324,778	3/1992	Whithington	D32/47 X
D. 350,471	9/1994	Crawford, Jr. et al.	D8/14
1,469,404	10/1923	Bohrmann	D32/46 X

[76] Inventor: **Donald E. McPherson, 607**
Canterbury, Eules, Tex. 76039

OTHER PUBLICATIONS

[**] Term: **14 Years**

PFERD, Oct. 1984, p. 25, Paint Peeler PFERD No. LAHEDP#14014.

[21] Appl. No.: **22,545**

Primary Examiner—Susan J. Lucas
Assistant Examiner—Cynthia E. Ramirez
Attorney, Agent, or Firm—Ross, Clapp, Korn & Montgomery

[22] Filed: **May 6, 1994**

[52] U.S. Cl. **D32/46; D8/45;**
D8/90; D4/132; D32/52

[58] Field of Search D32/40, 46, 49, 35,
D32/47, 48, 52; 15/236.01, 237, 236.02, 236.03,
236.06, 236.09; 30/169, 171, 172; D4/130, 132,
136, 135; D8/14, 16, 45, 90

[57] CLAIM

The ornamental design for scraping tool, as shown and described.

[56] References Cited

DESCRIPTION

U.S. PATENT DOCUMENTS

D. 96,630	2/1935	Smith	D32/52
D. 104,225	4/1937	Scott	D4/136
D. 219,949	2/1971	Vogel	D4/136
D. 228,339	9/1973	Zemke	D32/52
D. 232,547	8/1974	Walti et al.	D4/136
D. 297,277	8/1988	Vameltt	D32/47

FIG. 1 is a front perspective view showing my new design;
FIG. 2 is a rear perspective view;
FIG. 3 is a top plan view;
FIG. 4 is a front elevation view;
FIG. 5 is a side elevation view; and,
FIG. 6 is a bottom plan view.

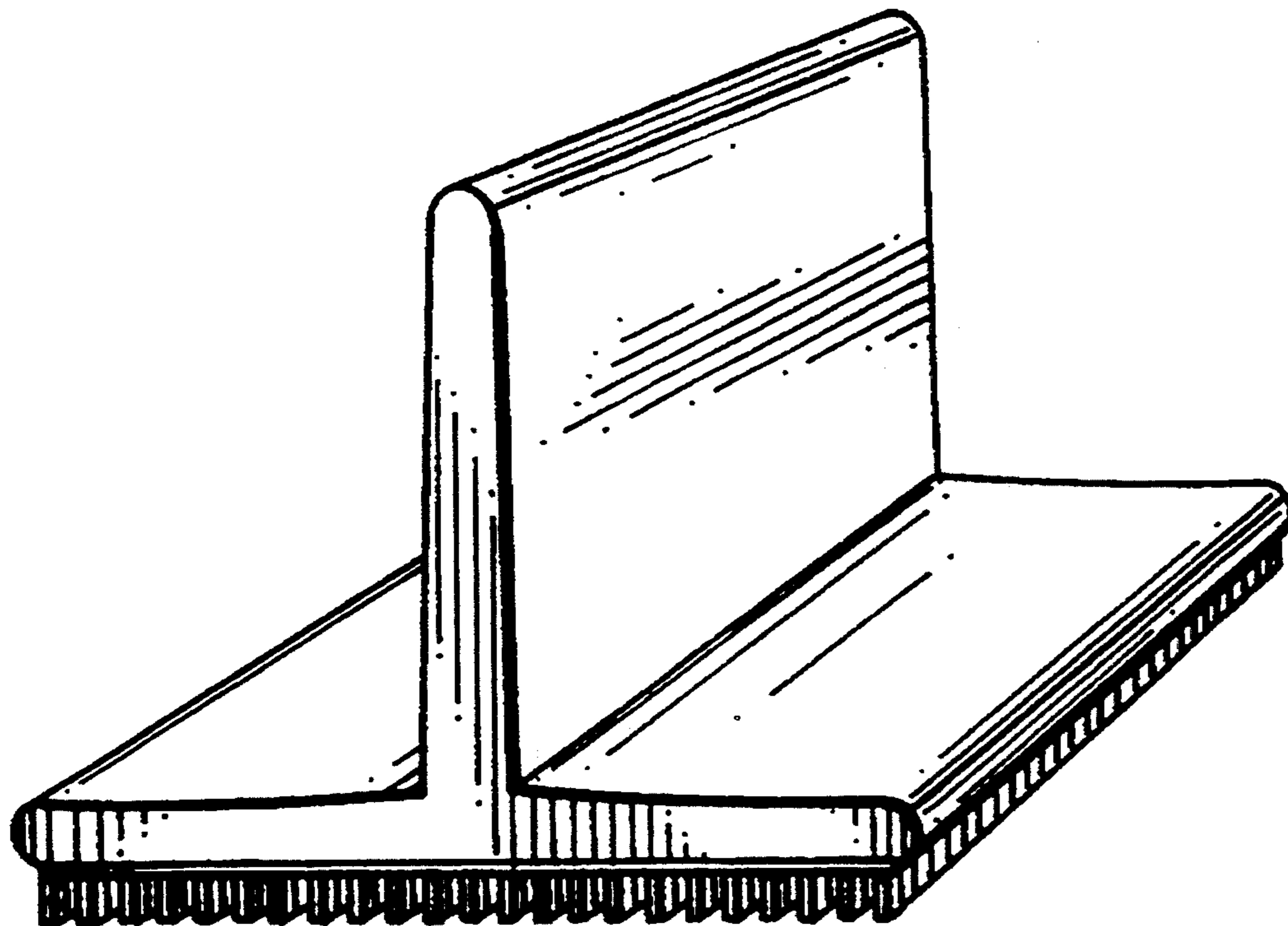


FIG. 1

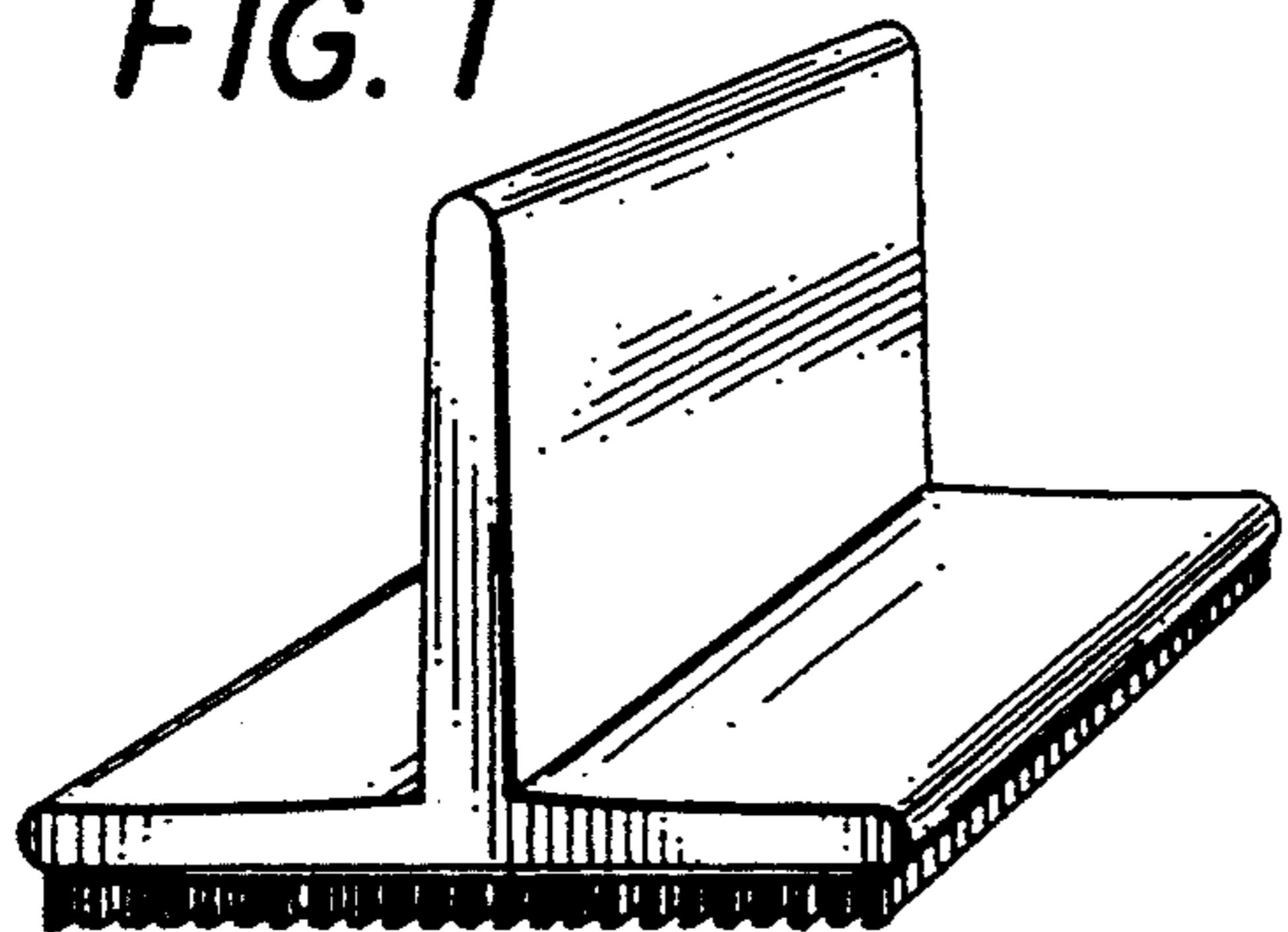


FIG. 2

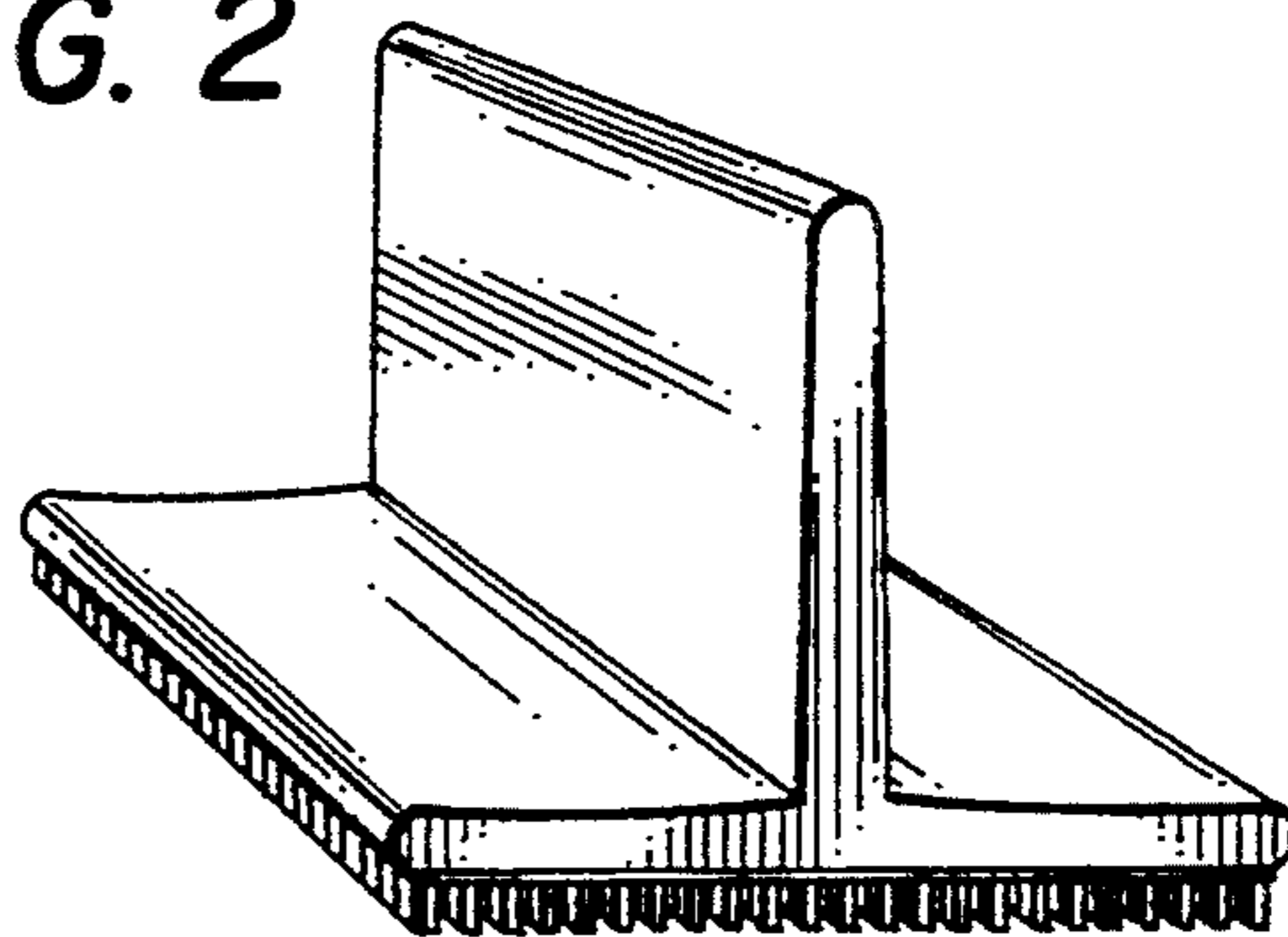


FIG. 3



FIG. 4

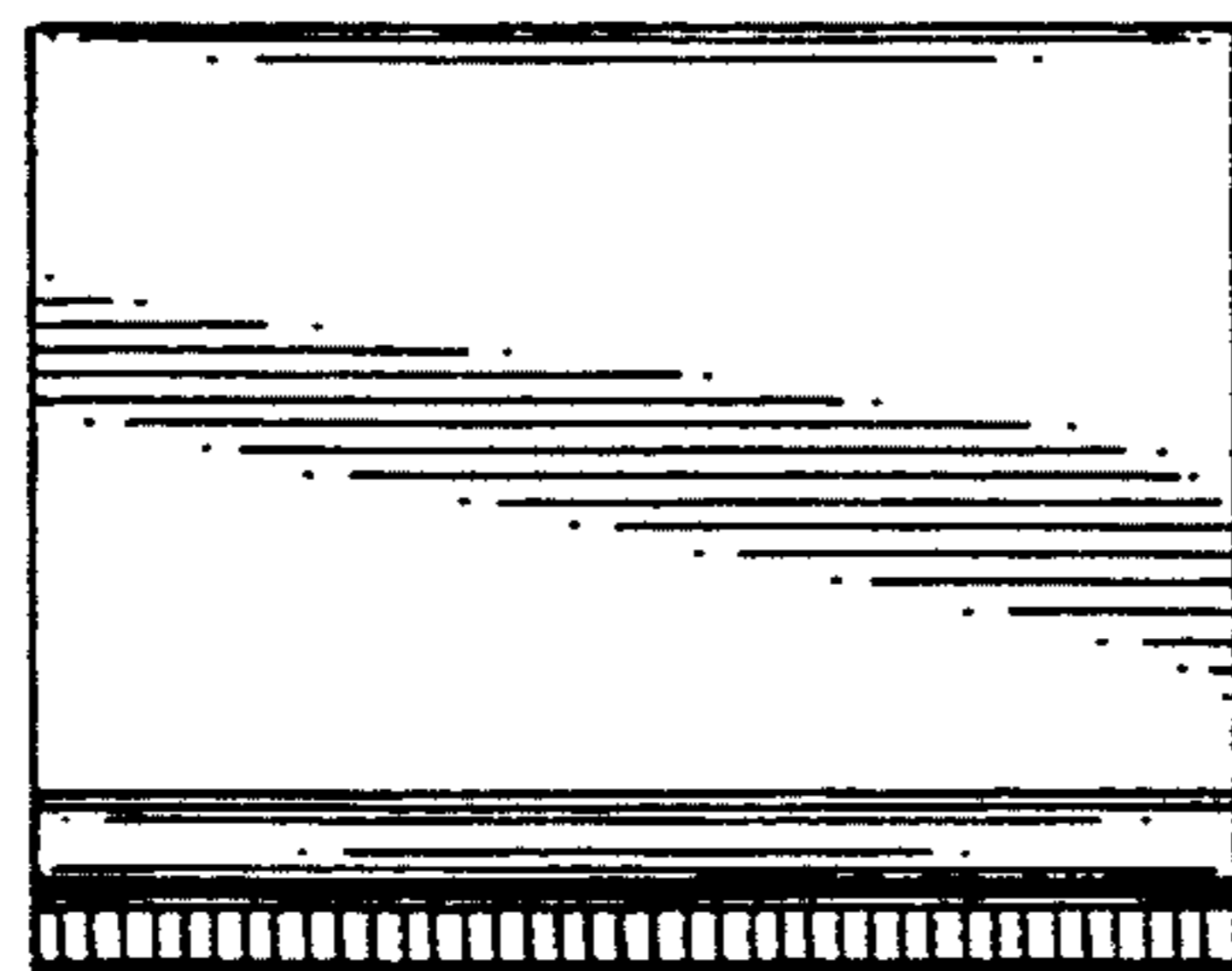


FIG. 5

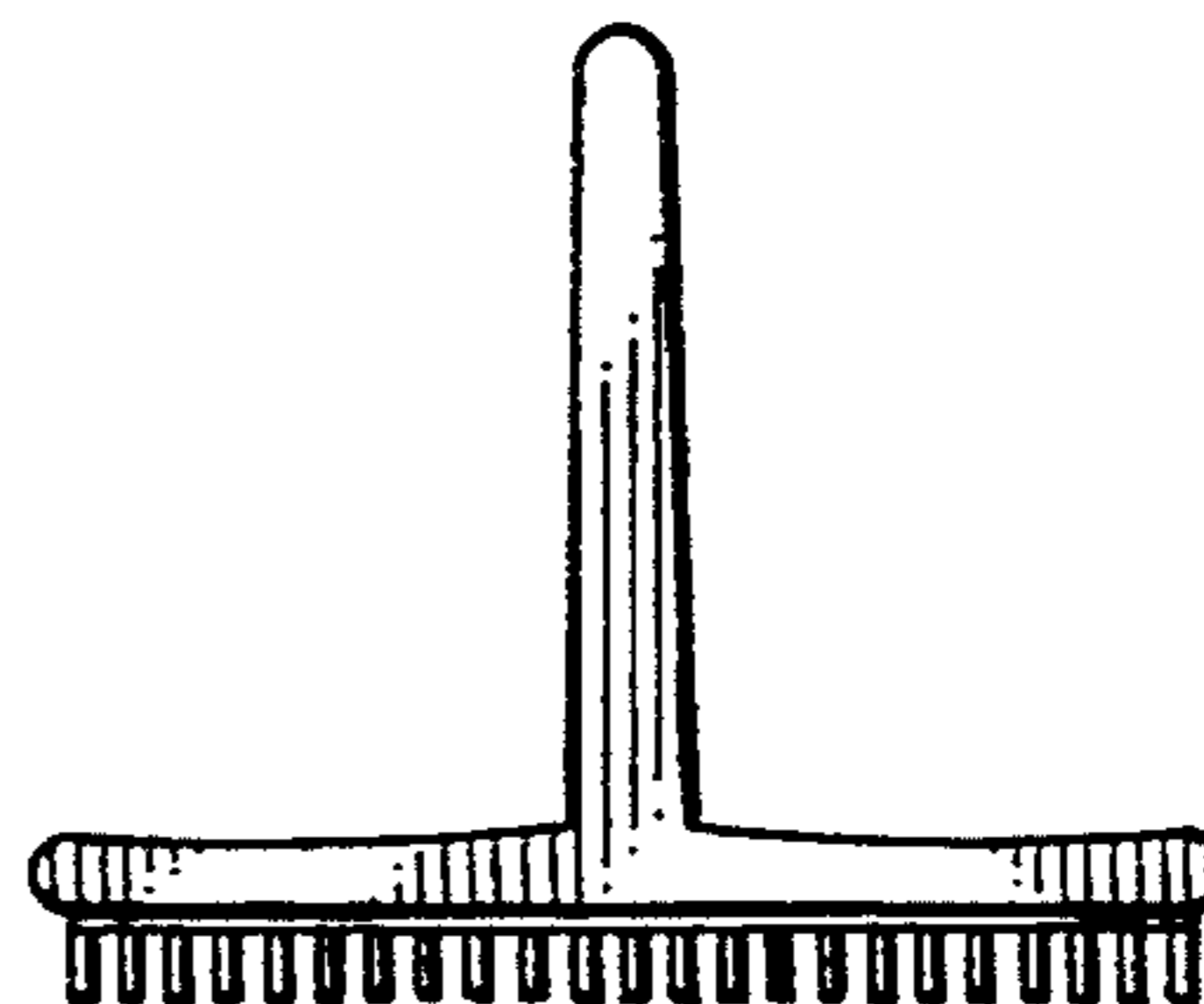


FIG. 6

