



US00D360505S

United States Patent [19]

Goodman et al.

[11] Patent Number: **Des. 360,505**

[45] Date of Patent: **** Jul. 18, 1995**

[54] SQUEEGEE

D. 343,265 1/1994 Potlak et al. D32/41

[76] Inventors: **Sheldon H. Goodman**, 30905 Stratford, Solon, Ohio 44139; **Steven E. Greenhut**, 6368 NW. 23rd Way, Boca Raton, Fla. 33496

OTHER PUBLICATIONS

Miles Kiniball Catalog—Autumn—Winter 1984–1985 p. 27 Fantastic Windshield Scraper.

[**] Term: **14 Years**

Primary Examiner—Susan J. Lucas
Assistant Examiner—Cynthia E. Ramirez

[21] Appl. No.: **11,972**

[57] CLAIM

[22] Filed: **Aug. 18, 1993**

The ornamental design for a squeegee, as shown and described.

[52] U.S. Cl. **D32/41**

[58] Field of Search D32/40, 41, 46, 49, D32/52, 48; 15/121, 232, 236.01, 236.02, 245, 245.1; D4/116, 118

DESCRIPTION

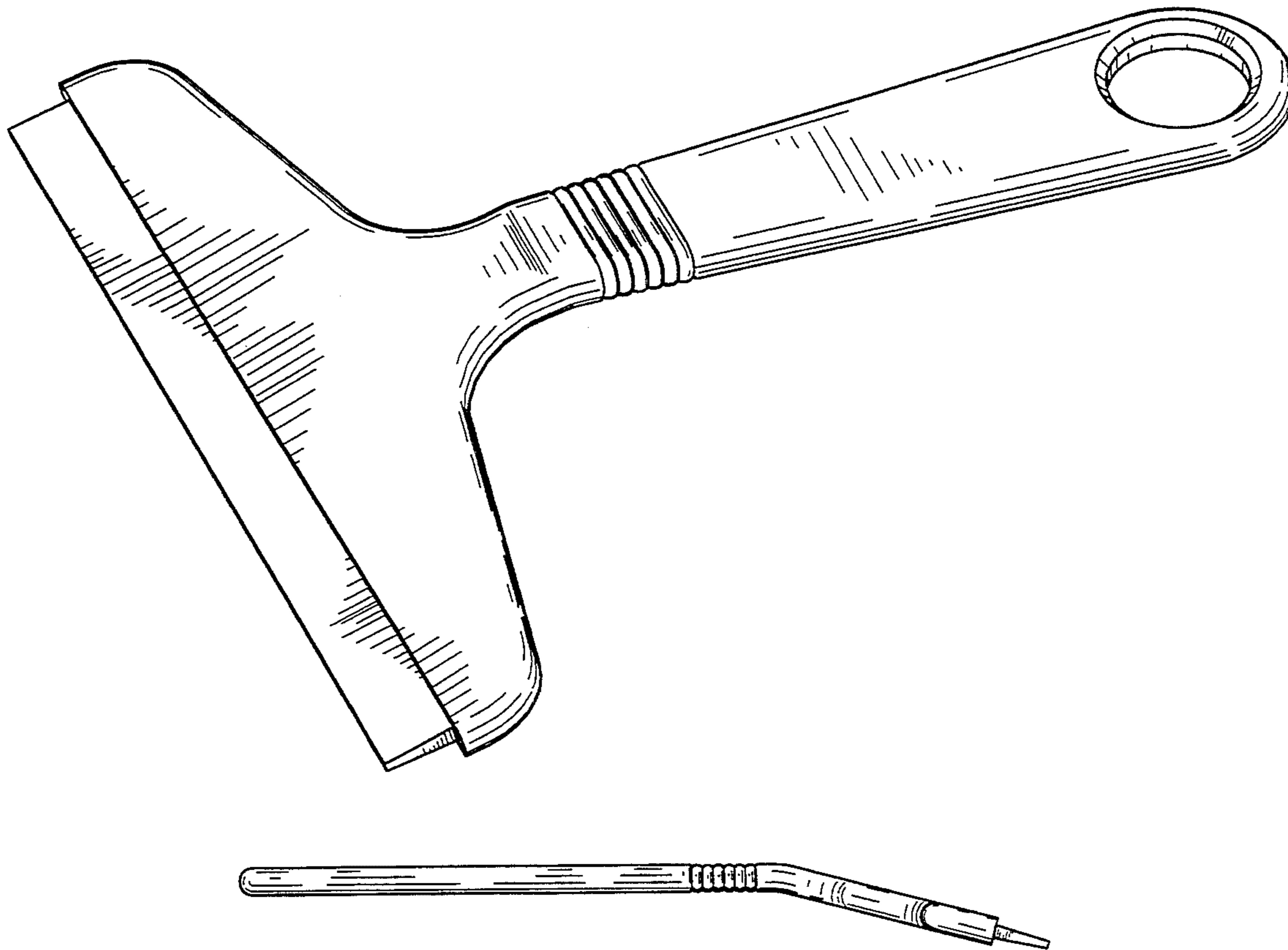
FIG. 1 is a front perspective view of a squeegee showing our new design;
FIG. 2 is a top plan view thereof;
FIG. 3 is a bottom plan view thereof;
FIG. 4 is a right side elevational view thereof;
FIG. 5 is a front elevational view thereof;
FIG. 6 is a rear elevational view thereof; and,
FIG. 7 is a left side elevational view thereof.

[56]

References Cited

U.S. PATENT DOCUMENTS

- D. 156,638 12/1949 Lifshutz et al. 15/236.2 X
- D. 292,532 10/1987 Strongwater D32/49
- D. 292,949 12/1987 Vetter D32/41 X
- D. 318,157 7/1991 Perior D32/41



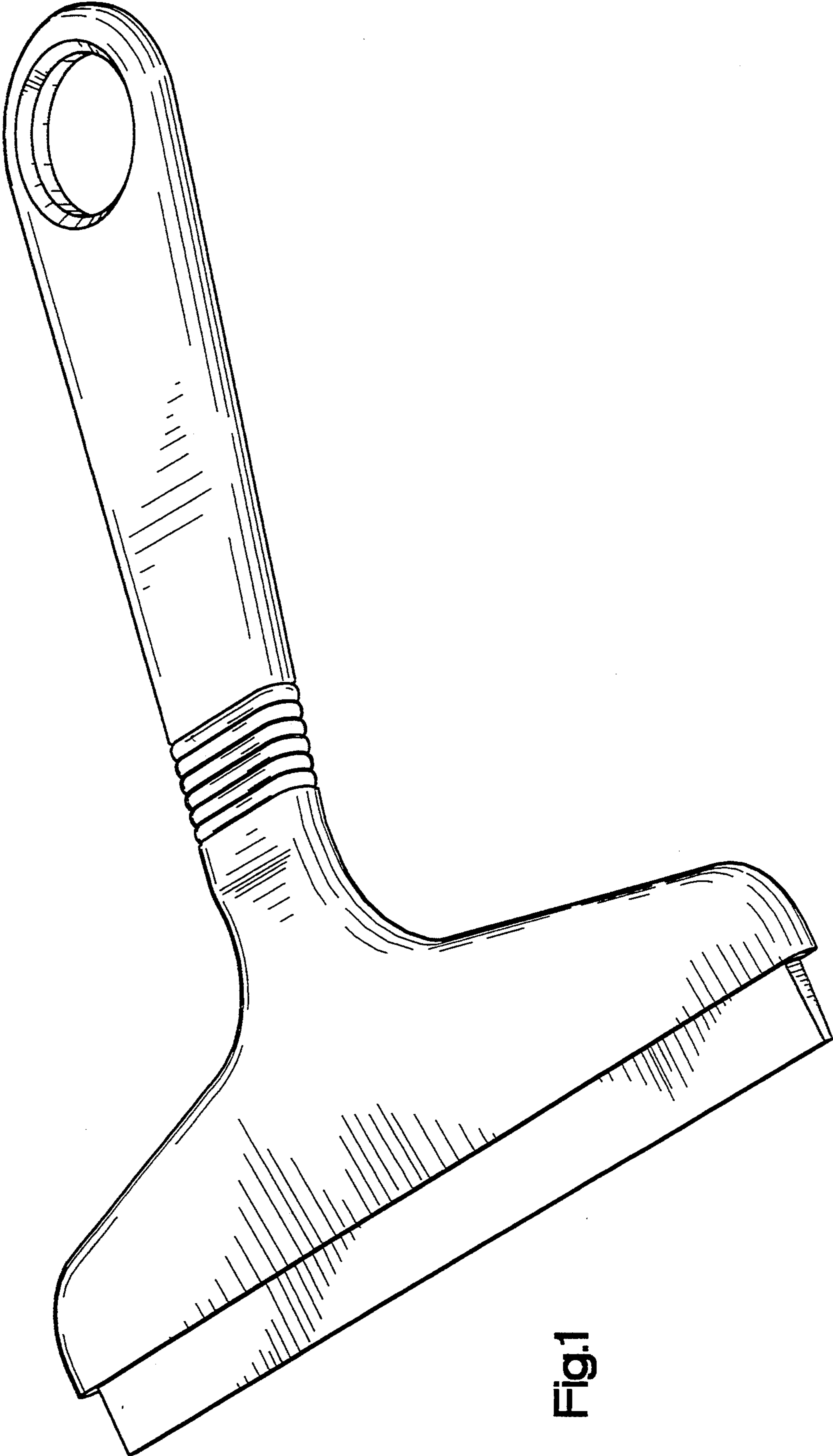


Fig. 1

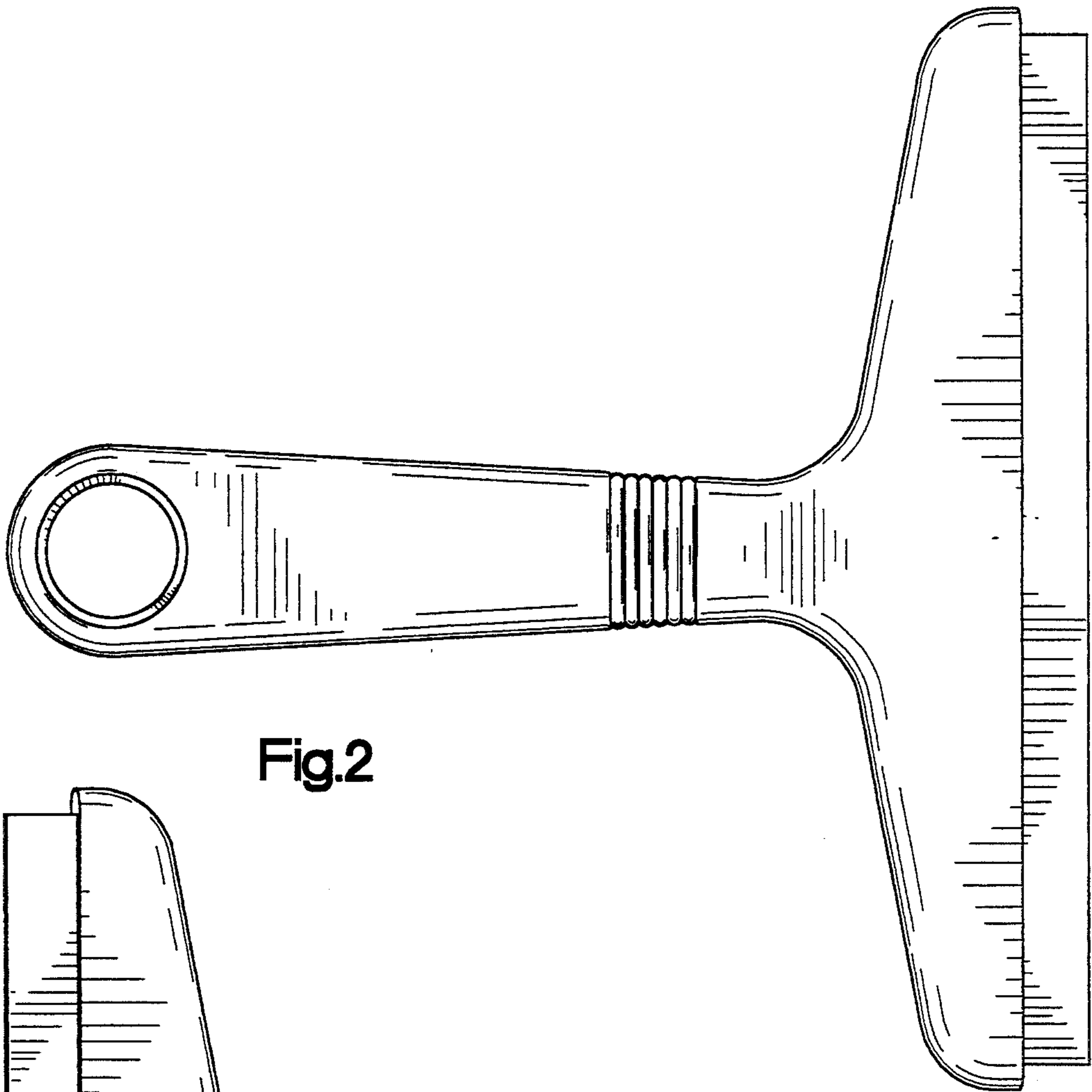


Fig.2

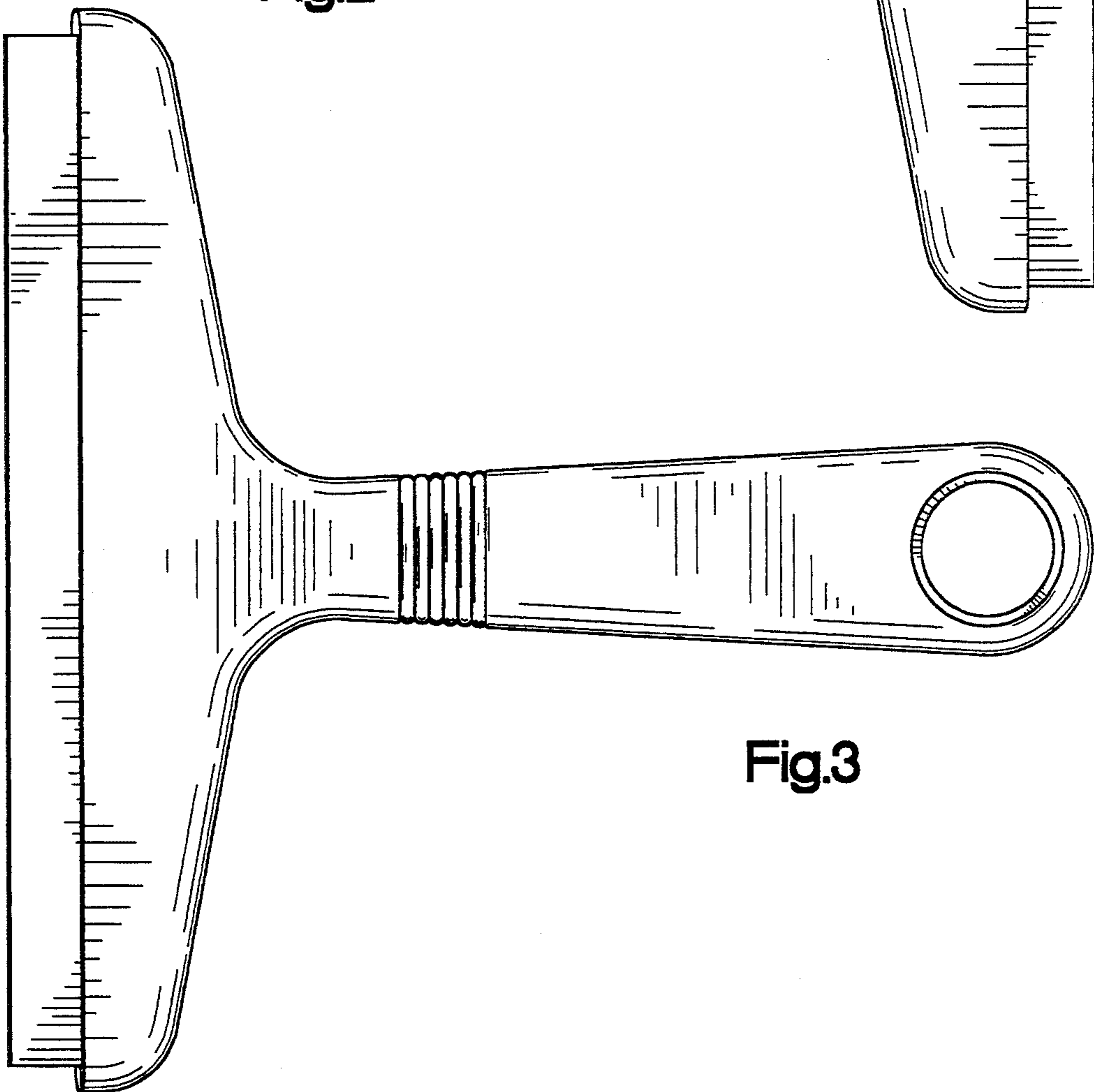


Fig.3

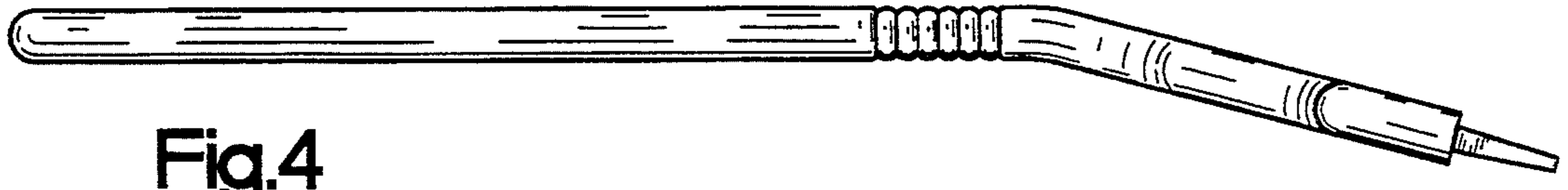


Fig.4

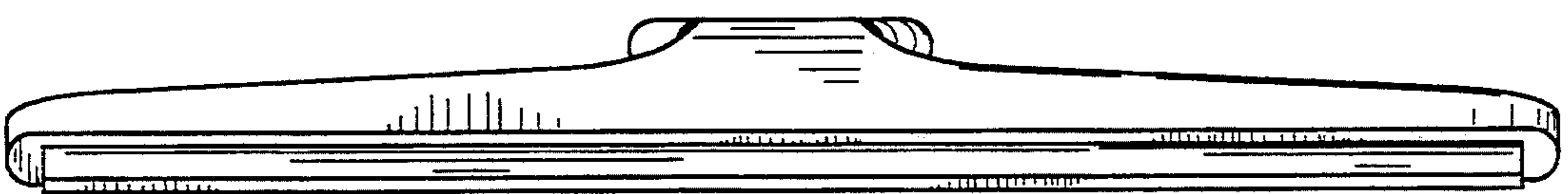


Fig.5

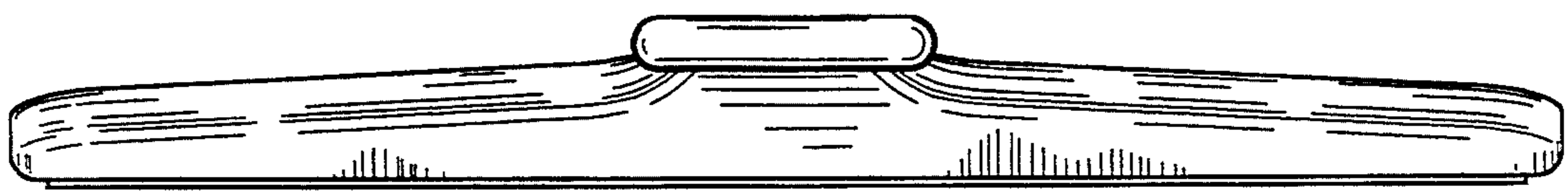


Fig.6

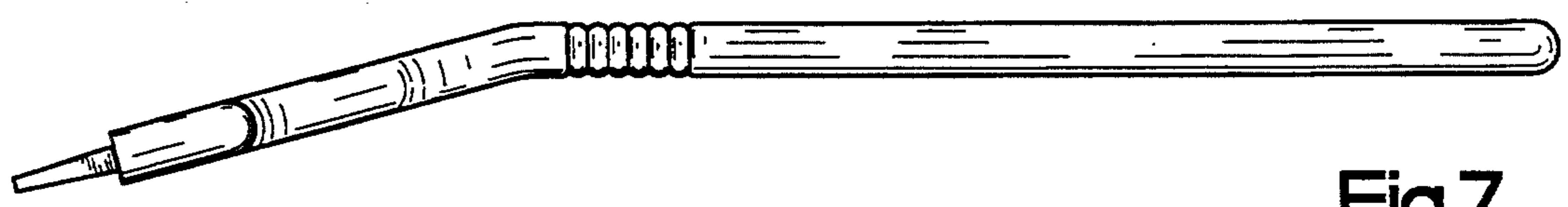


Fig.7