



US00D360502S

# United States Patent [19]

Hollinger

[11] Patent Number: **Des. 360,502**

[45] Date of Patent: **\*\* Jul. 18, 1995**

[54] **VACUUM CLEANER FOR COMPUTER KEYBOARDS**

[76] Inventor: **Fred Hollinger, 59 Boxwood Dr., Kings Park, N.Y. 11754**

[\*\*] Term: **14 Years**

[21] Appl. No.: **26,115**

[22] Filed: **Jun. 27, 1994**

[52] U.S. Cl. .... **D32/18**

[58] Field of Search ..... **D32/35, 40, 45, 17-18; D4/100, 102, 127; 15/344, 328, 329, 347, 21.1, 22.1, 22.2, 23, 25, 28**

[56] **References Cited**

**U.S. PATENT DOCUMENTS**

D. 251,441	3/1979	Ueda et al. ....	D4/100
D. 281,035	10/1985	Herzfeld .....	D4/102
D. 290,551	6/1987	Huen .....	D4/102
D. 300,185	3/1989	Suzuki .....	D4/102
D. 316,316	4/1991	Yuen .....	D4/102

D. 352,828 11/1994 Chen ..... D4/102

*Primary Examiner*—Ruth McInroy  
*Attorney, Agent, or Firm*—Stanley J. Yavner

[57] **CLAIM**

The ornamental design for a vacuum cleaner for computer keyboards, as shown and described.

**DESCRIPTION**

FIG. 1 is a front and right side isometric view of a vacuum cleaner for computer keyboards showing my new design, the brush attachment shown in broken lines is for illustrative purposes only and forms no part of the claimed design;

FIG. 2 is a top plan view thereof;

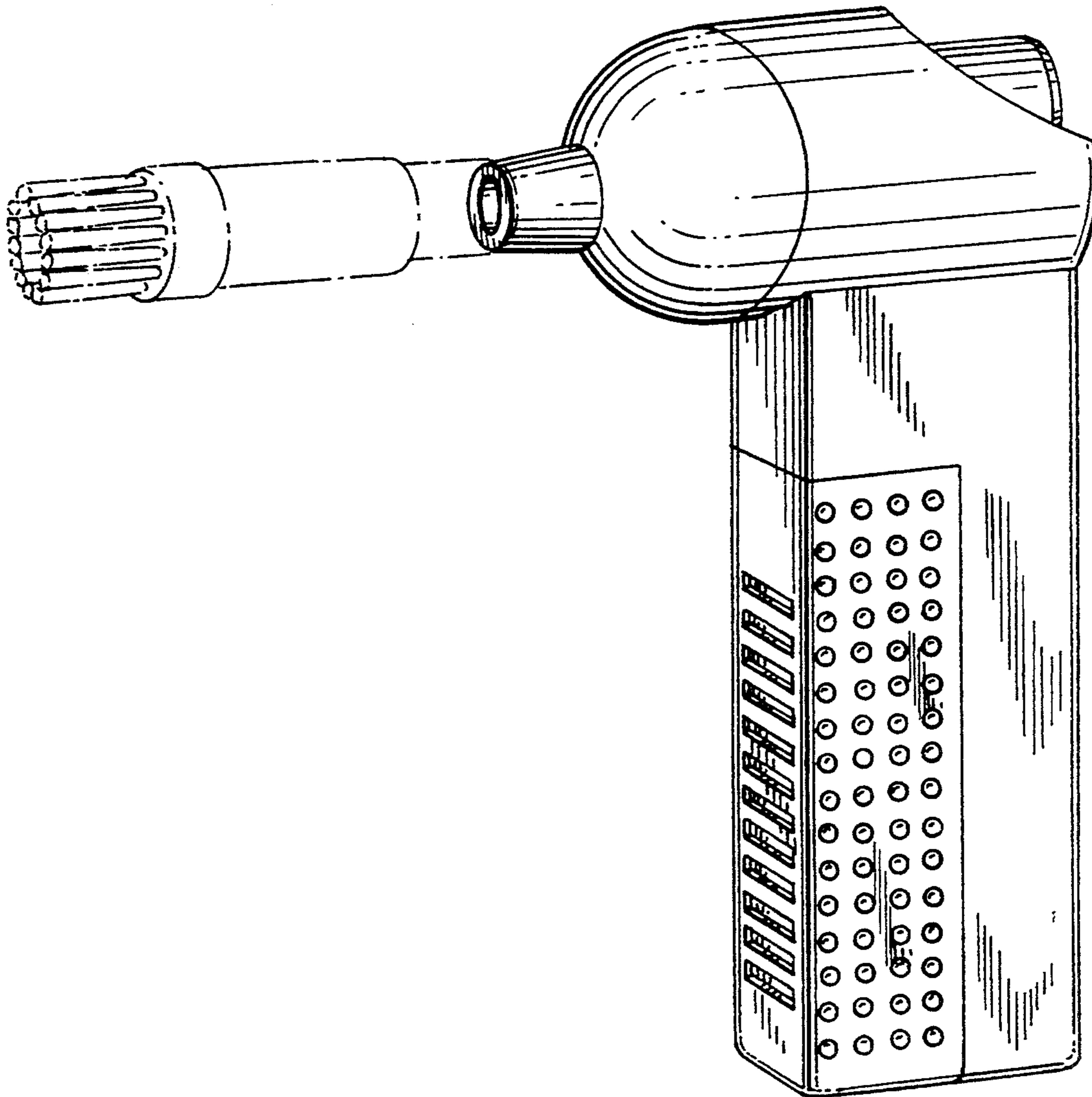
FIG. 3 is a left side elevational view thereof;

FIG. 4 is a front elevational view thereof;

FIG. 5 is a rear elevational view thereof;

FIG. 6 is a bottom plan view thereof; and,

FIG. 7 is a isometric view thereof, the nozzle shown in broken lines is for illustrative purposes only and forms no part of the claimed design.



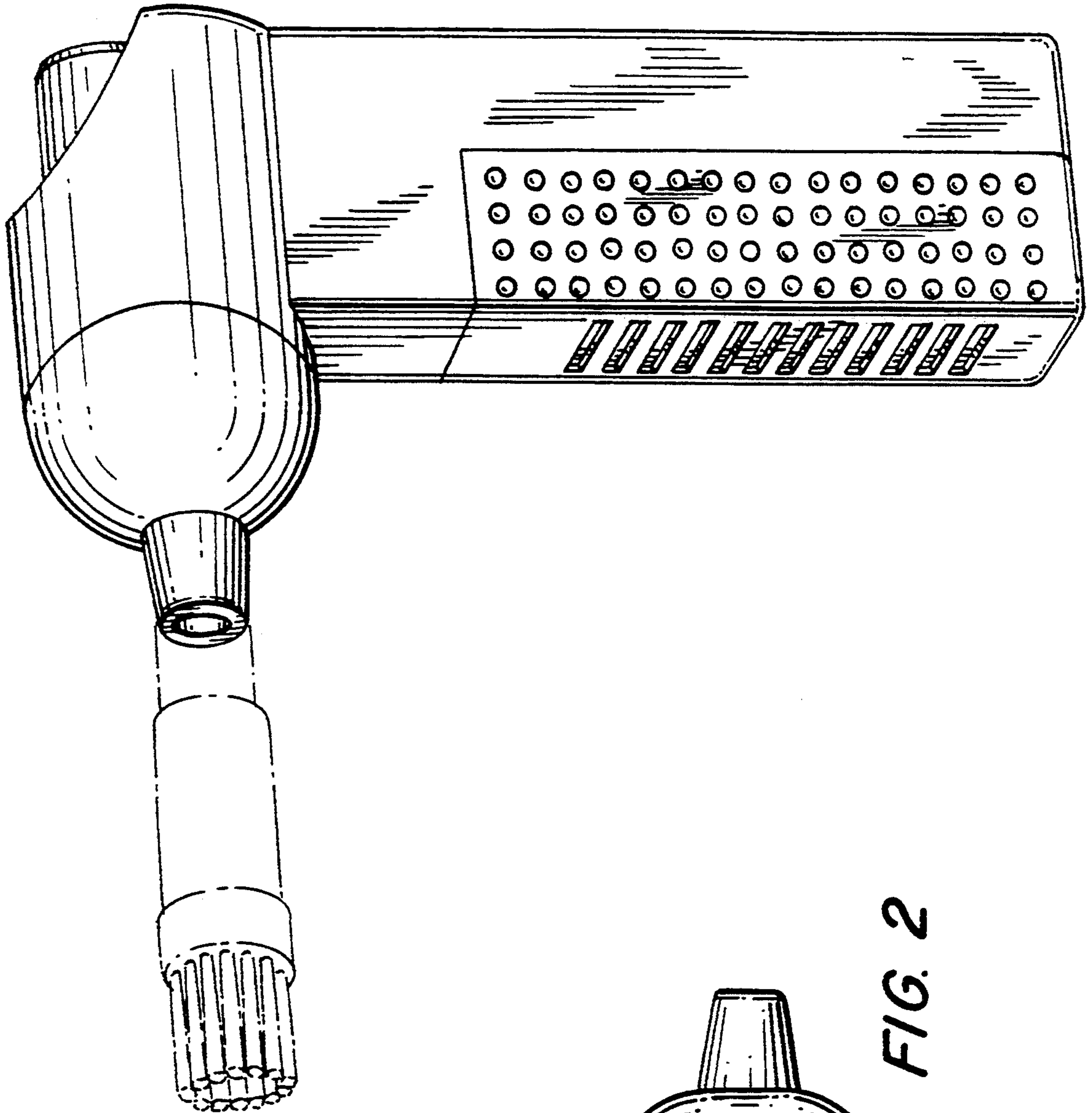


FIG. 1

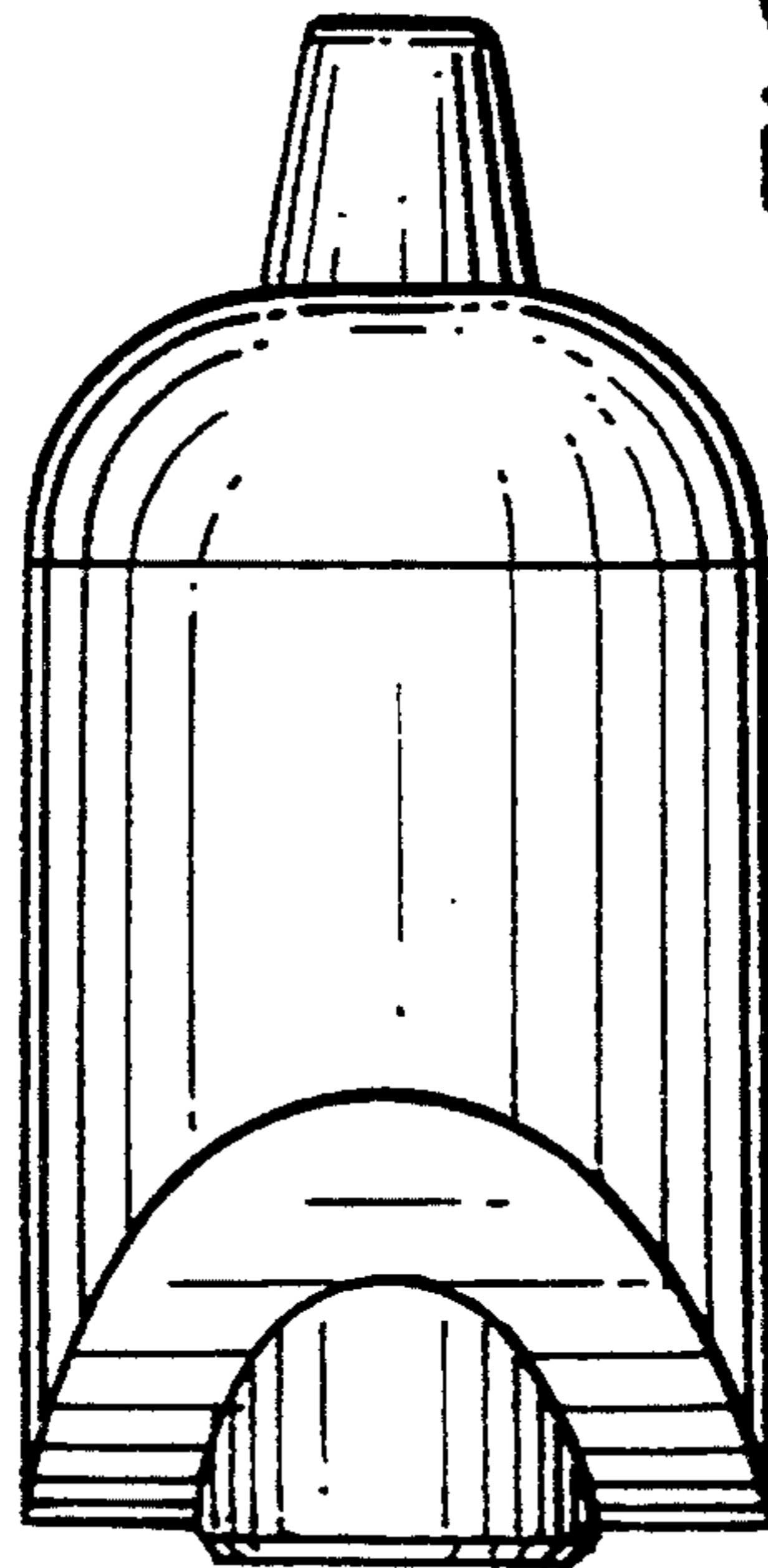


FIG. 2

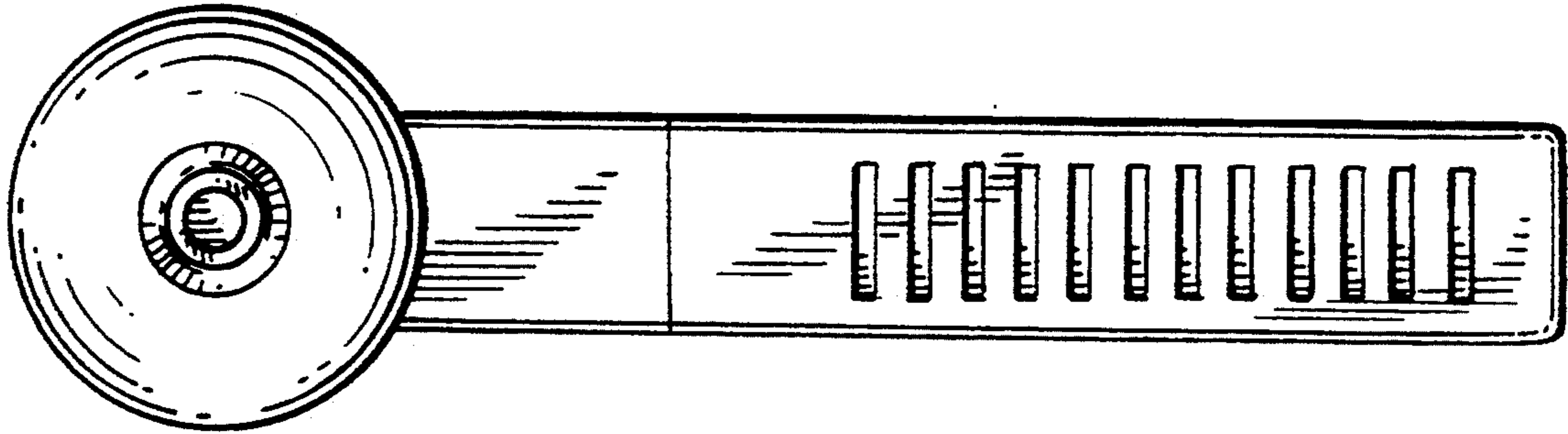
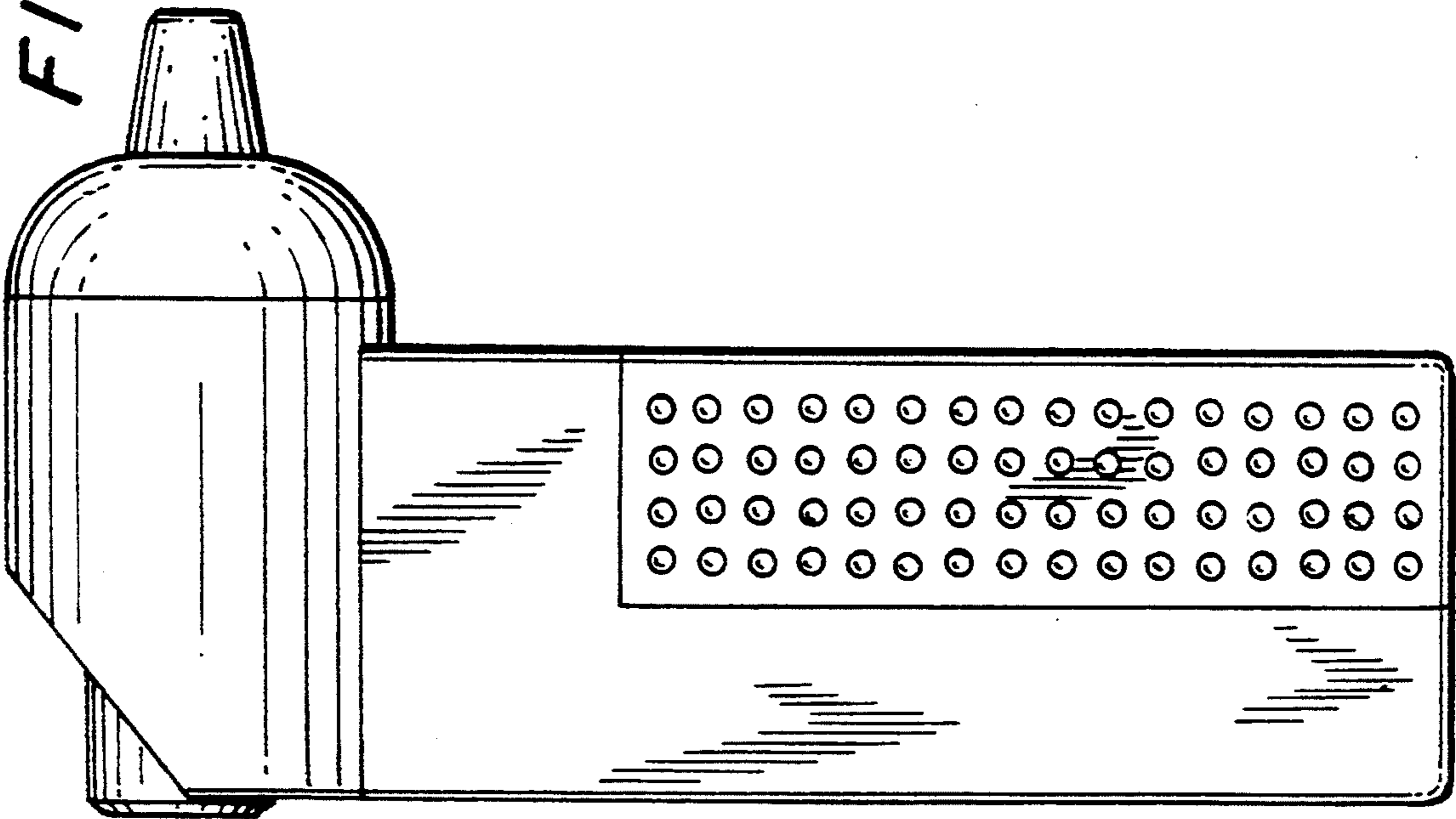


FIG. 4

FIG. 3



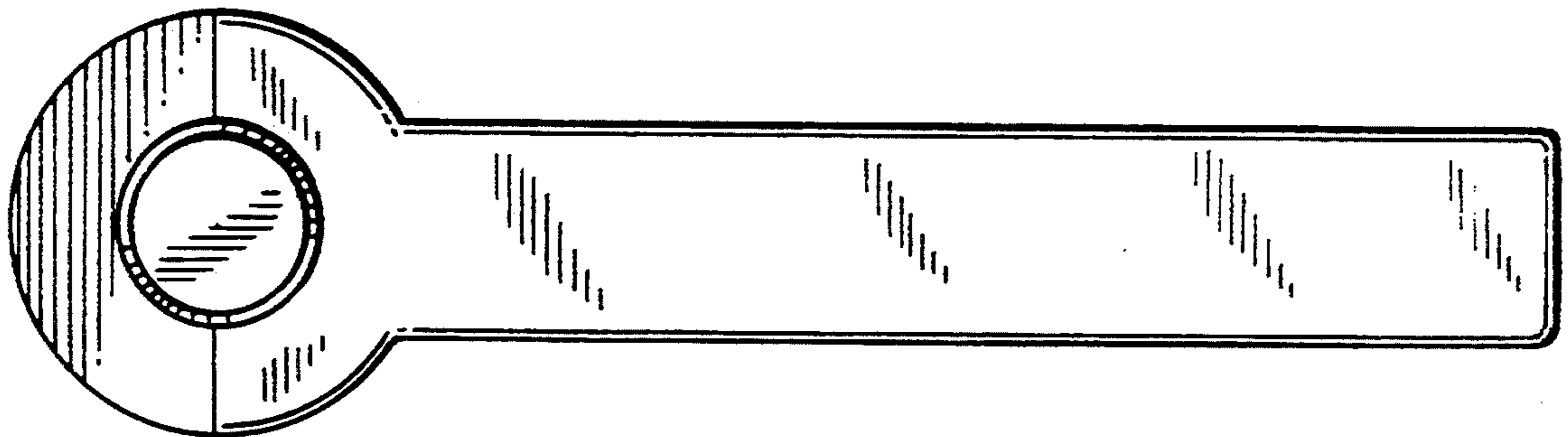


FIG. 5

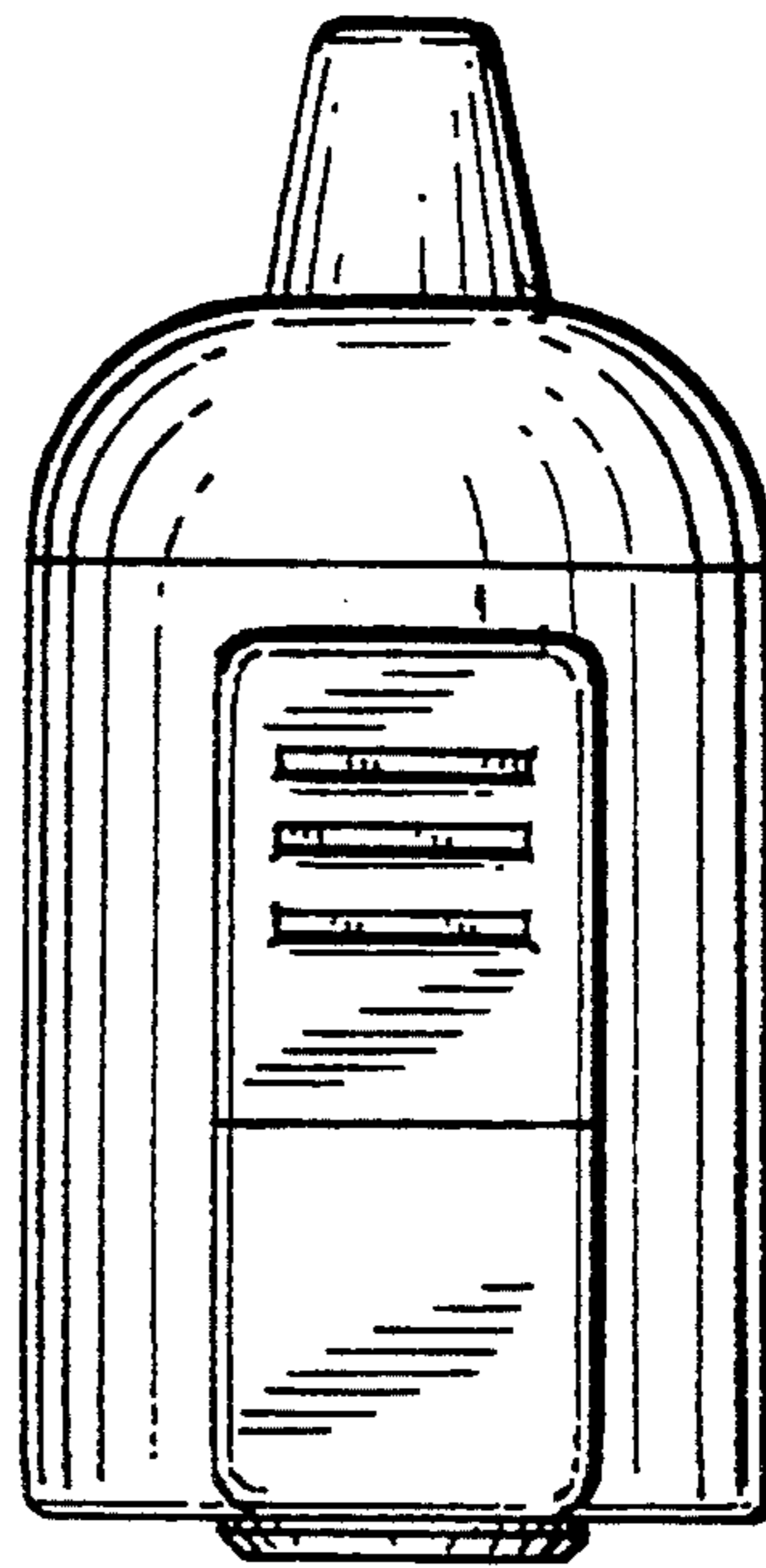


FIG. 6

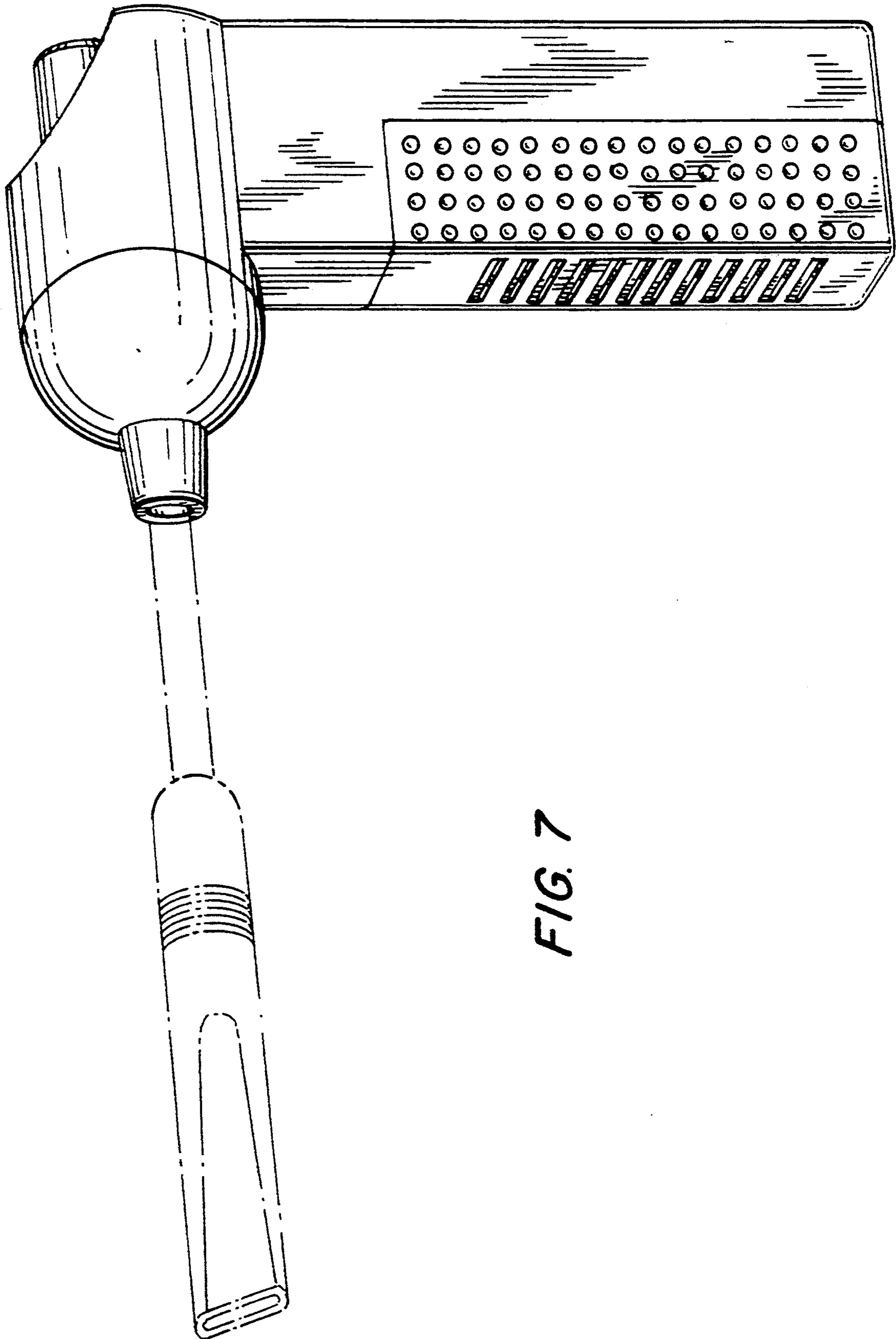


FIG. 7