



US00D360490S

United States Patent [19]

[11] Patent Number: **Des. 360,490**

Bulla

[45] Date of Patent: **** Jul. 18, 1995**

[54] **CAGE FOR SMALL CLIMBING ANIMALS AND REPTILES**

4,930,445 6/1990 Chestnut D30/108
4,984,535 1/1991 White 119/19

[76] Inventor: **Robert H. Bulla**, 3624 Old Berwick Rd., Bloomsburg, Pa. 17815

OTHER PUBLICATIONS

Currents Holiday Catalog; p. 28; No. 237-162148 Insect Viewer.

[**] Term: **14 Years**

Yak Works Catalog; Fall/Winter 1982/83; p. 41; Insect Observatory No. 4403 The Bug House.

[21] Appl. No.: **19,181**

Primary Examiner—Cathy Anne MacCormac
Attorney, Agent, or Firm—Terry M. Gernstein

[22] Filed: **Feb. 24, 1994**

[52] U.S. Cl. **D30/108; D30/110**

[58] Field of Search 119/15, 19, 28.5, 702, 119/706; D30/108, 109, 118, 110, 111, 158, 160, 161; D25/16, 32, 33; 47/69

[57] CLAIM

The ornamental design for a cage for small climbing animals and reptiles, as shown and described.

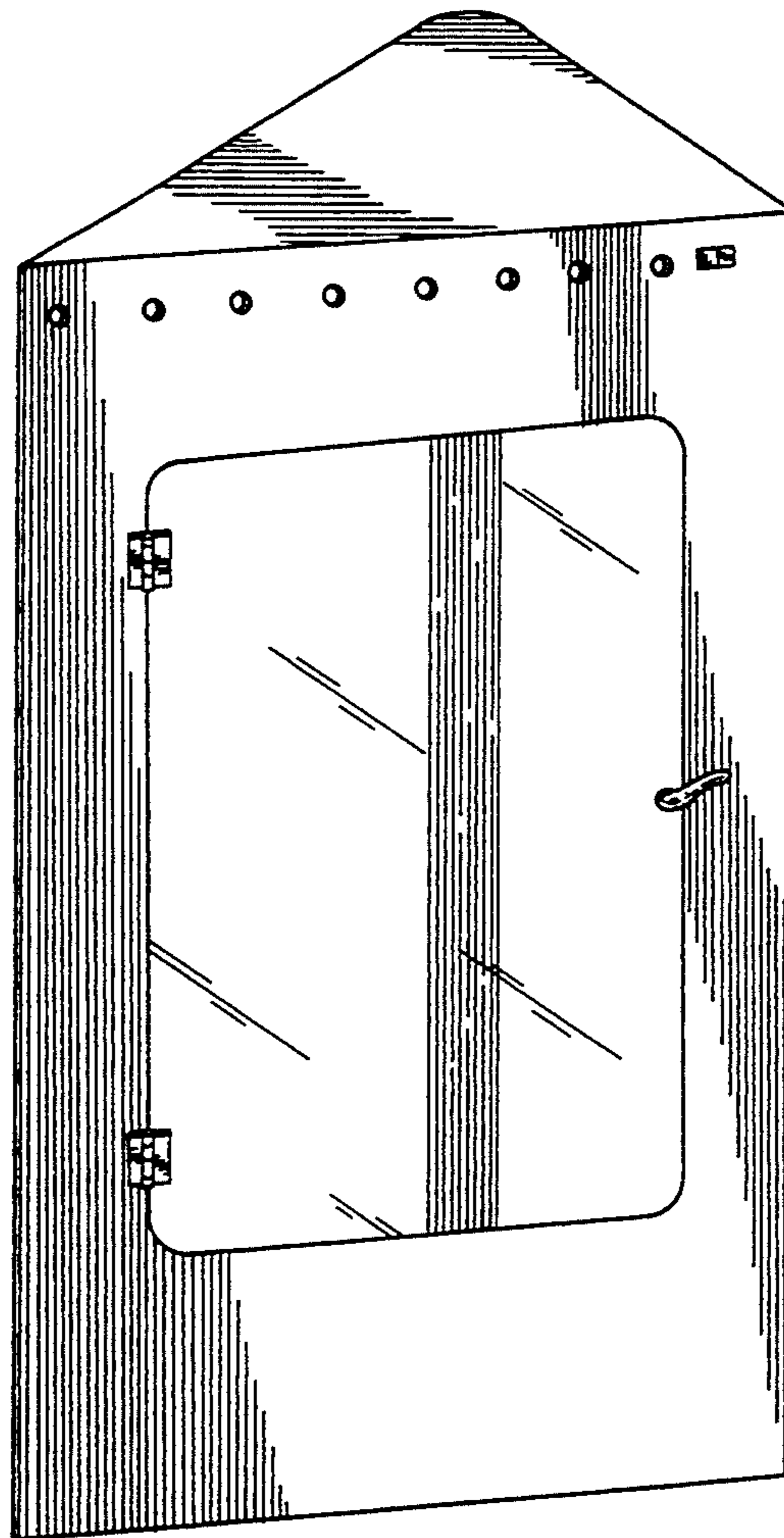
[56] References Cited

DESCRIPTION

U.S. PATENT DOCUMENTS

D. 281,283	11/1985	Cazier	D30/109
D. 353,030	11/1994	Fernandez	D30/161
1,237,624	8/1917	Eickhof	119/19
3,156,213	11/1964	Patten	D30/109
3,522,904	8/1970	Locke et al.	119/19
4,177,761	12/1979	Bellocchi, Jr.	D30/108
4,195,593	4/1980	Dunn	119/19
4,282,829	8/1981	Tweed	119/19
4,844,016	7/1989	Filosa	119/19

FIG. 1 is a front and top perspective view of a cage for small climbing animals showing my new design; FIG. 2 is a front elevational view thereof; FIG. 3 is a rear elevational view thereof; FIG. 4 is a side elevational view thereof, the side opposite being a mirror image of the side shown in FIG. 4; and, FIG. 5 is a top plan view thereof, the bottom view being a mirror image of the top view shown in FIG. 5.



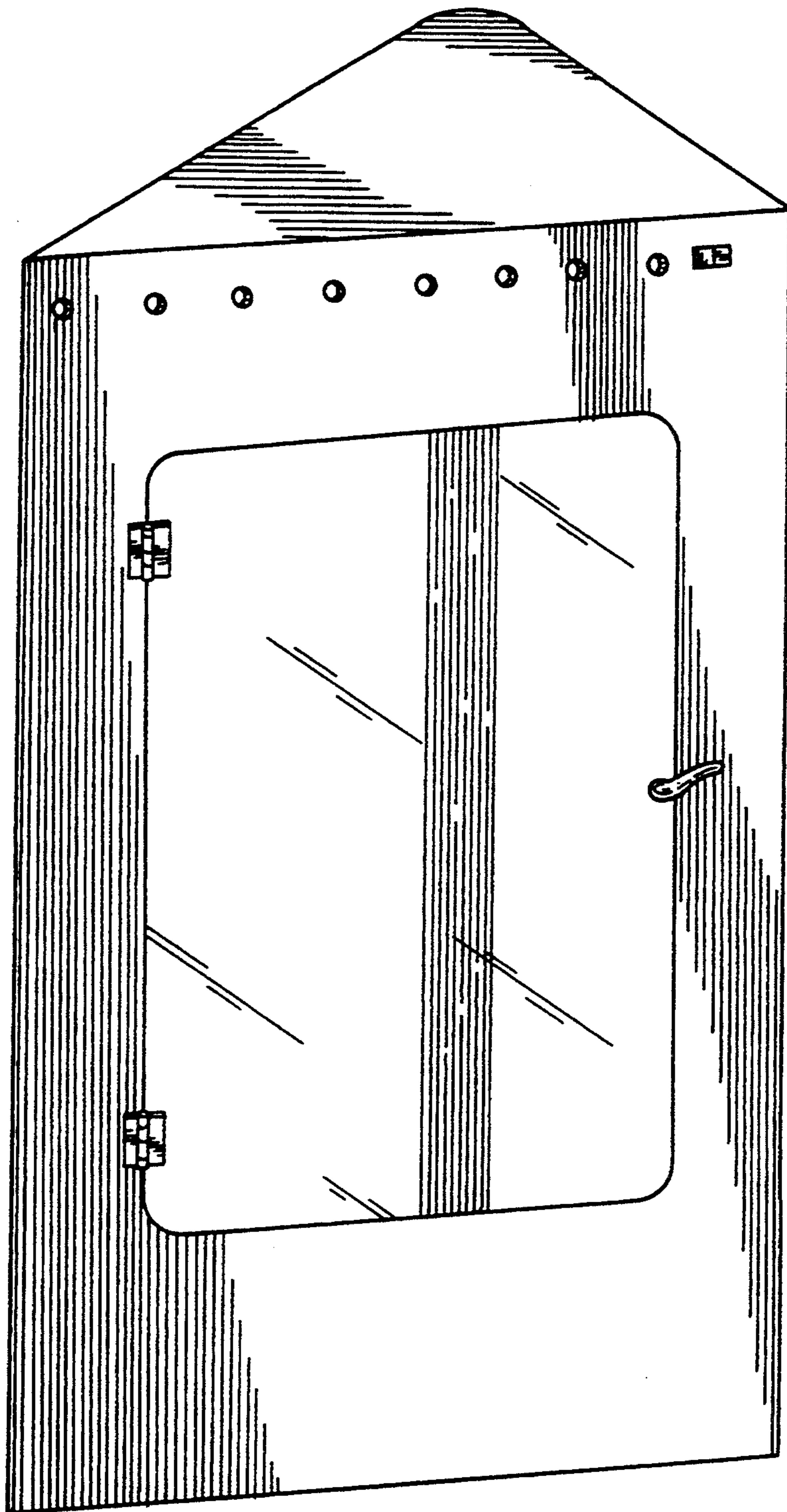


FIG. 1.

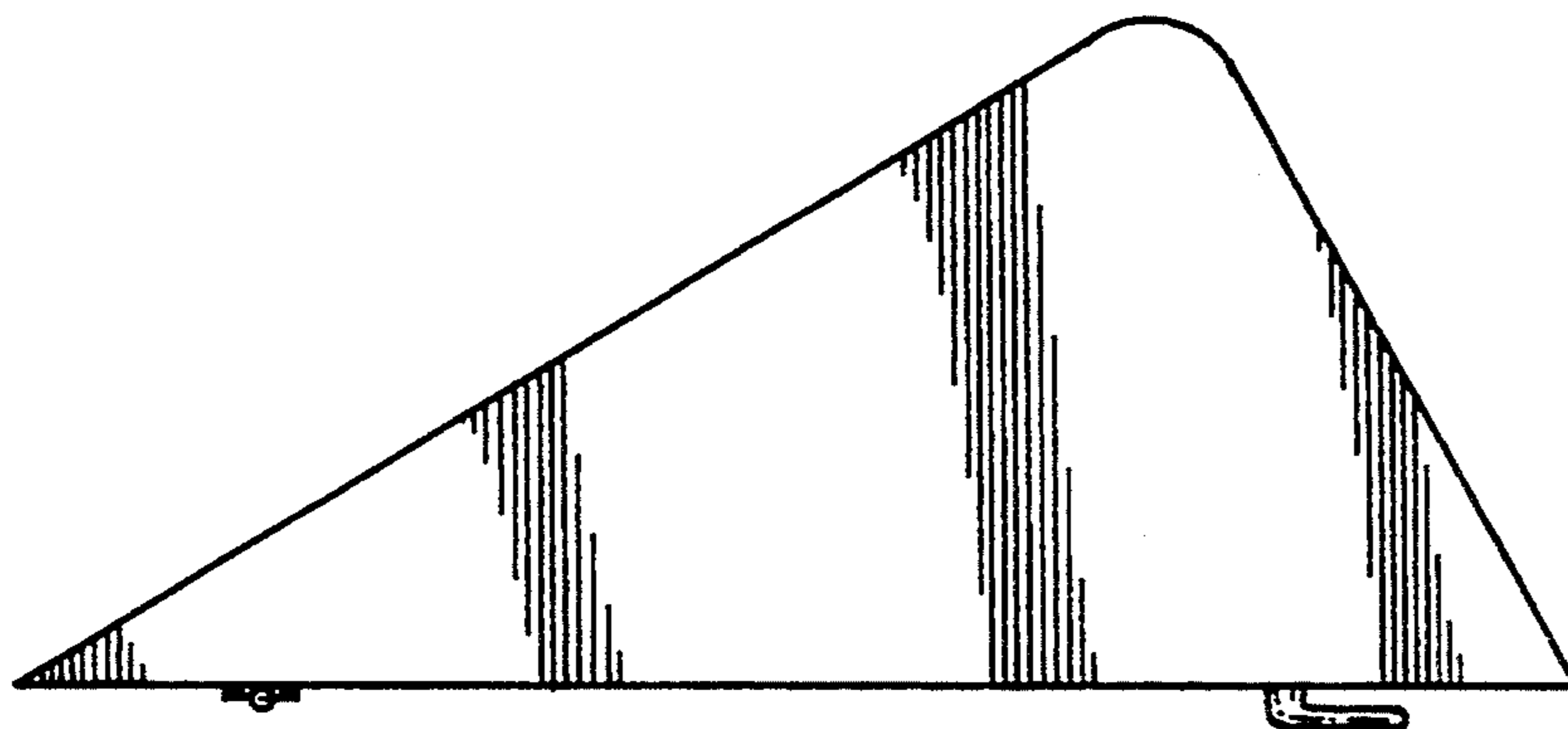


FIG. 5.

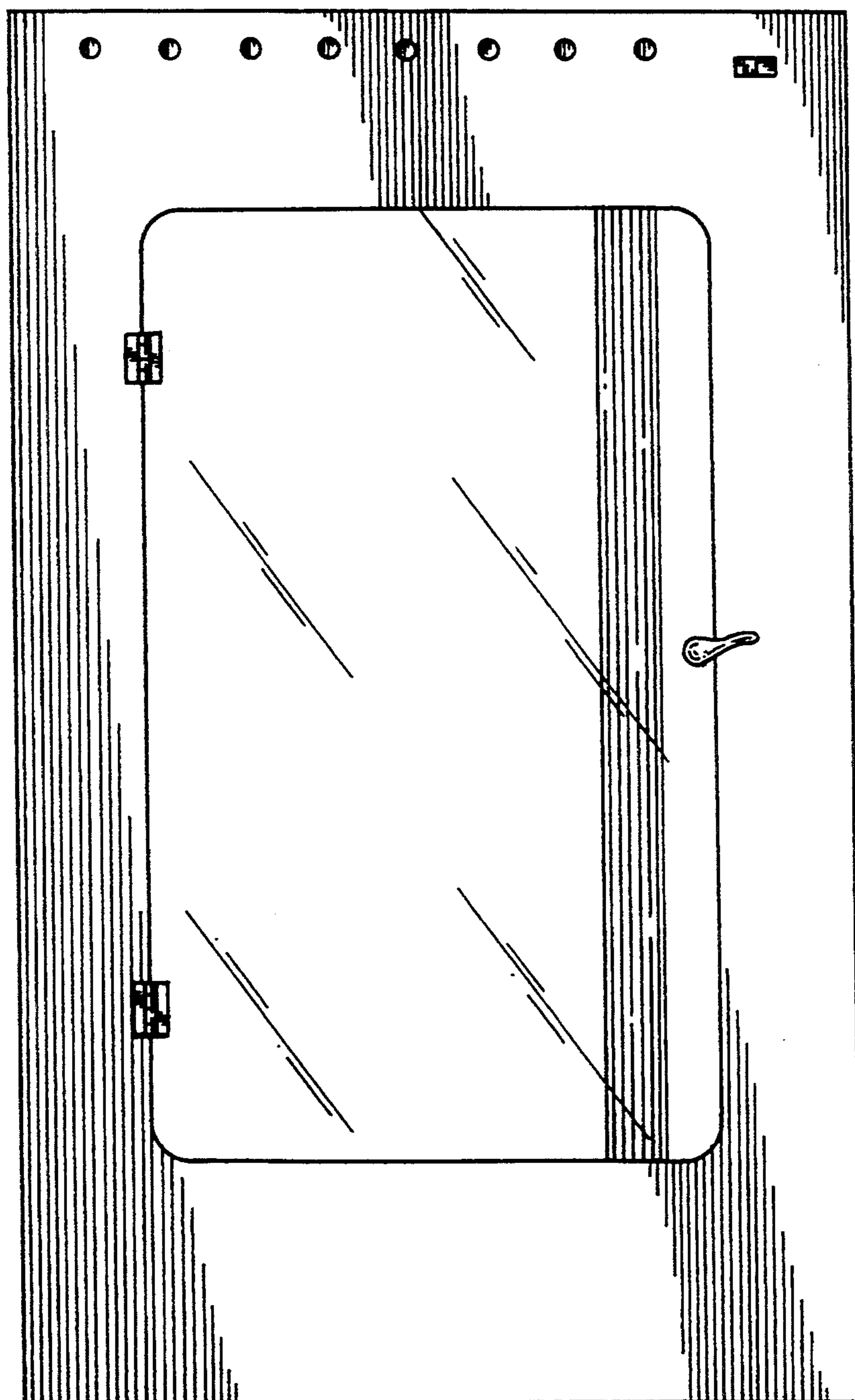


FIG. 2.

FIG. 3.

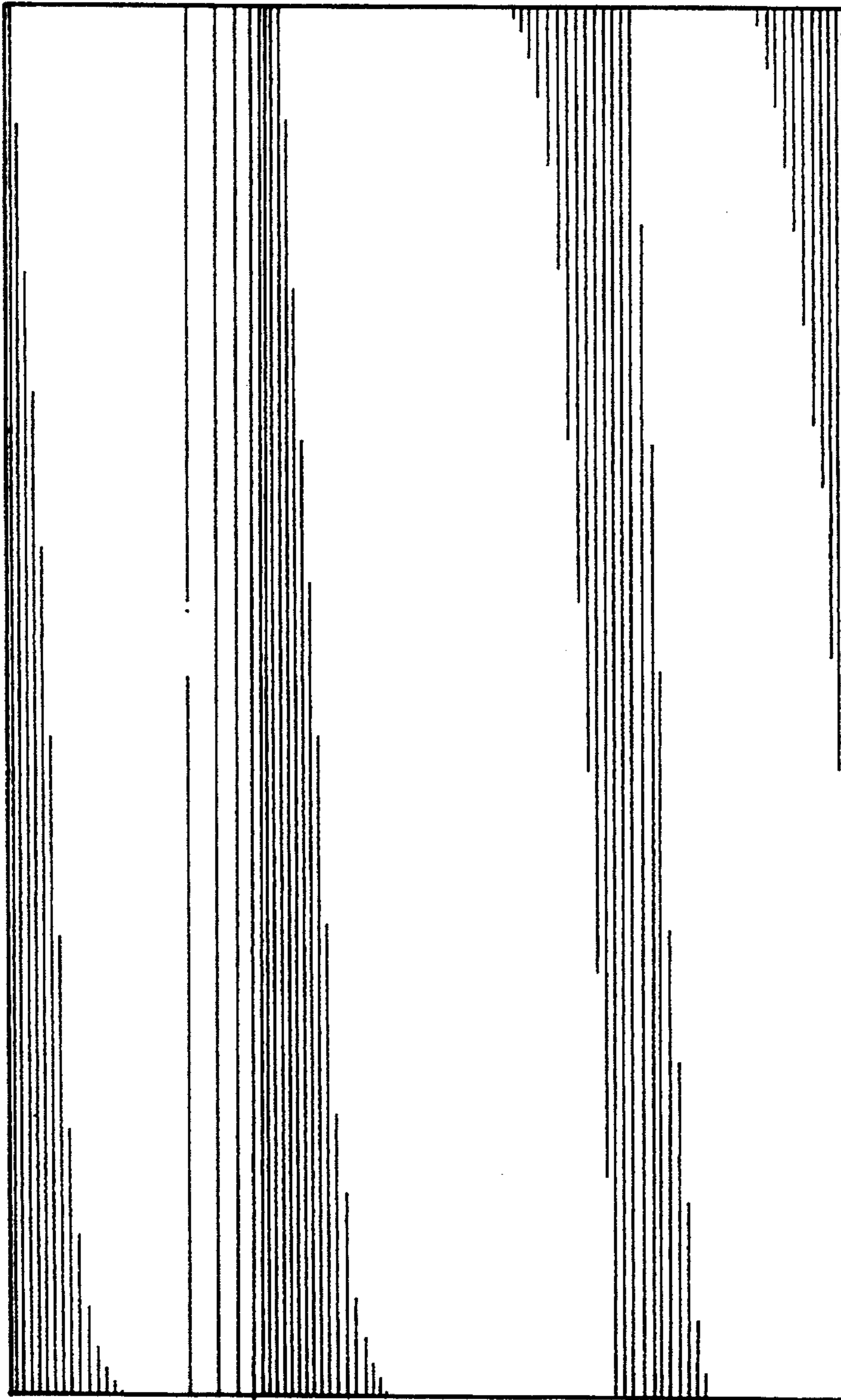


FIG. 4.

