



US00D360489S

United States Patent [19] Sylor

[11] Patent Number: Des. 360,489
[45] Date of Patent: ** Jul. 18, 1995

[54] DOG HOUSE

[76] Inventor: James C. Sylor, R.D. #1 Box 217E,
Angelica, N.Y. 14709

[**] Term: 14 Years

[21] Appl. No.: 18,643

[22] Filed: Feb. 14, 1994

[52] U.S. Cl. D30/108; D30/112

[58] Field of Search D30/108, 109, 110, 111,
D30/112, 125-128; 119/19, 16, 706, 23, 165

[56] References Cited

U.S. PATENT DOCUMENTS

D. 314,453	2/1991	Dewing	D30/108
D. 327,143	6/1992	Dickenson	D30/108
D. 334,634	4/1993	Greitzer	D30/108
D. 340,551	10/1993	Mitchell, Sr.	D30/109
3,793,989	2/1974	Clark	119/19
4,803,952	2/1989	Houser	119/19
5,081,956	1/1992	Greitzer et al.	119/19
5,121,710	6/1992	Gonzalez	119/19
5,134,970	8/1992	Oh	19/23
5,216,977	6/1993	Allen, Jr.	119/19
5,337,697	8/1994	Trimarchi et al.	119/19

FOREIGN PATENT DOCUMENTS

0366626	5/1990	European Pat. Off.	119/19
---------	--------	--------------------	-------	--------

OTHER PUBLICATIONS

Foster & Smith, Inc., catalog; p. 114; Daskocil Dog-house item No. 264; Pet Catalogs Box #7.

Primary Examiner—Cathy Anne MacCormac
Attorney, Agent, or Firm—Robert J. Bird

[57] CLAIM

The ornamental design for a dog house, as shown and described.

DESCRIPTION

FIG. 1 is a front elevational view of a dog house showing my new design, the rear is substantially identical to the front without the opening;

FIG. 2 is a side elevational view thereof, the opposite side is a mirror image;

FIG. 3 is a perspective view thereof;

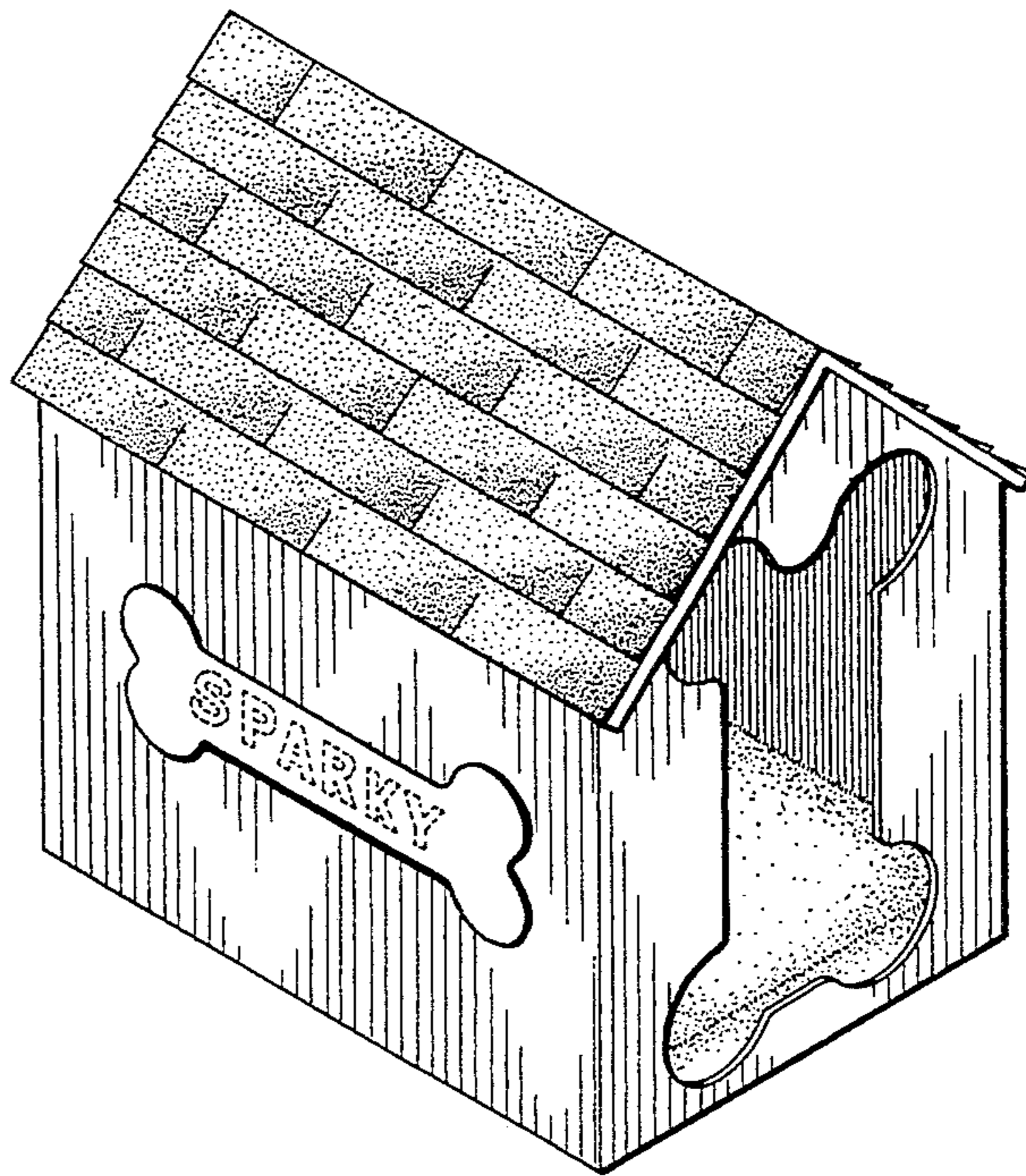
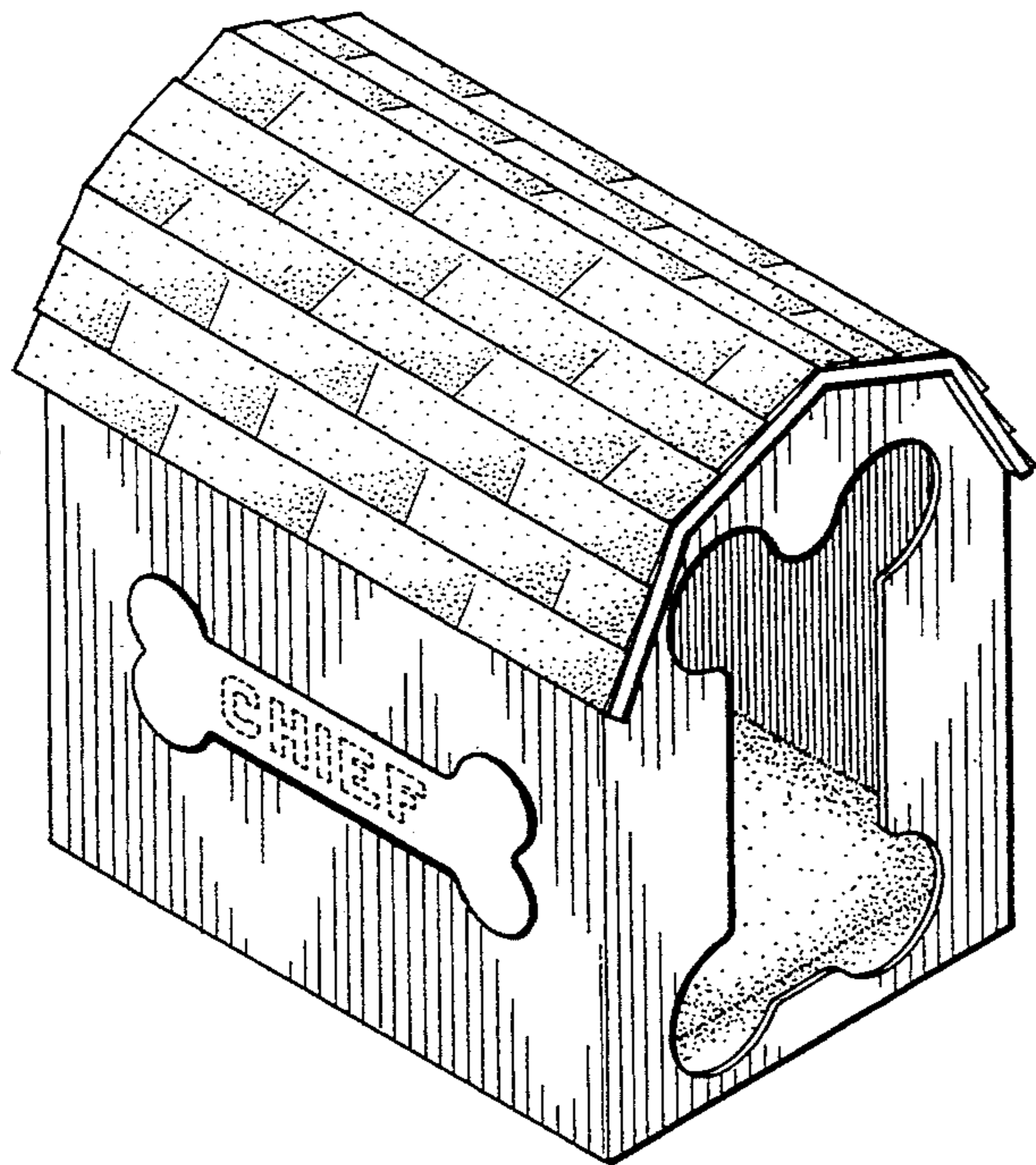
FIG. 4 is a front elevational view of a second embodiment of FIG. 1, the rear is substantially identical to the front without the opening;

FIG. 5 is a side elevational view of FIG. 4, the opposite side is a mirror image; and,

FIG. 6 is a perspective view of FIG. 4.

The bottom of both embodiments is plain and unornamented.

The broken lines are for purposes of illustration only and form no part of the claimed design.



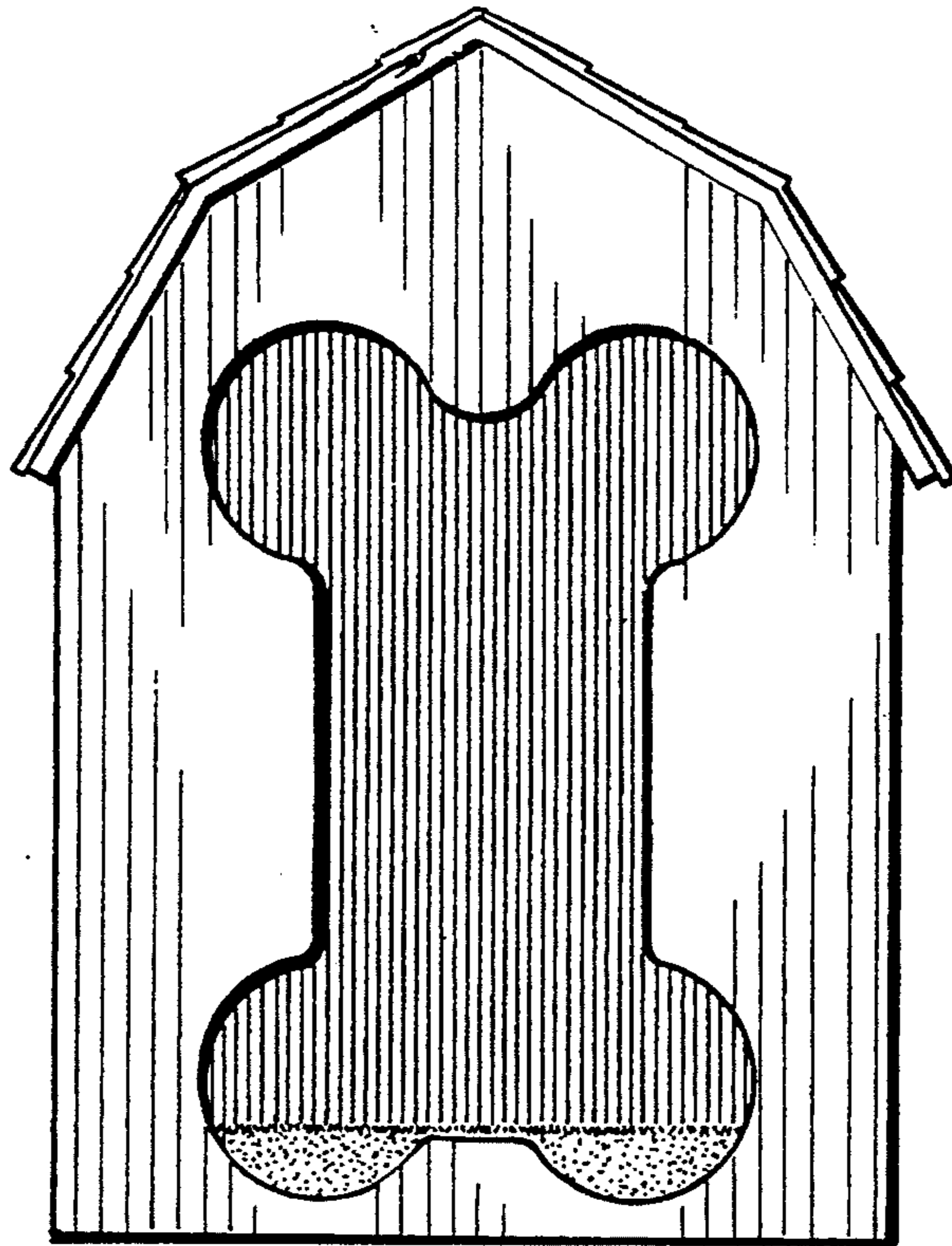


Fig. 1

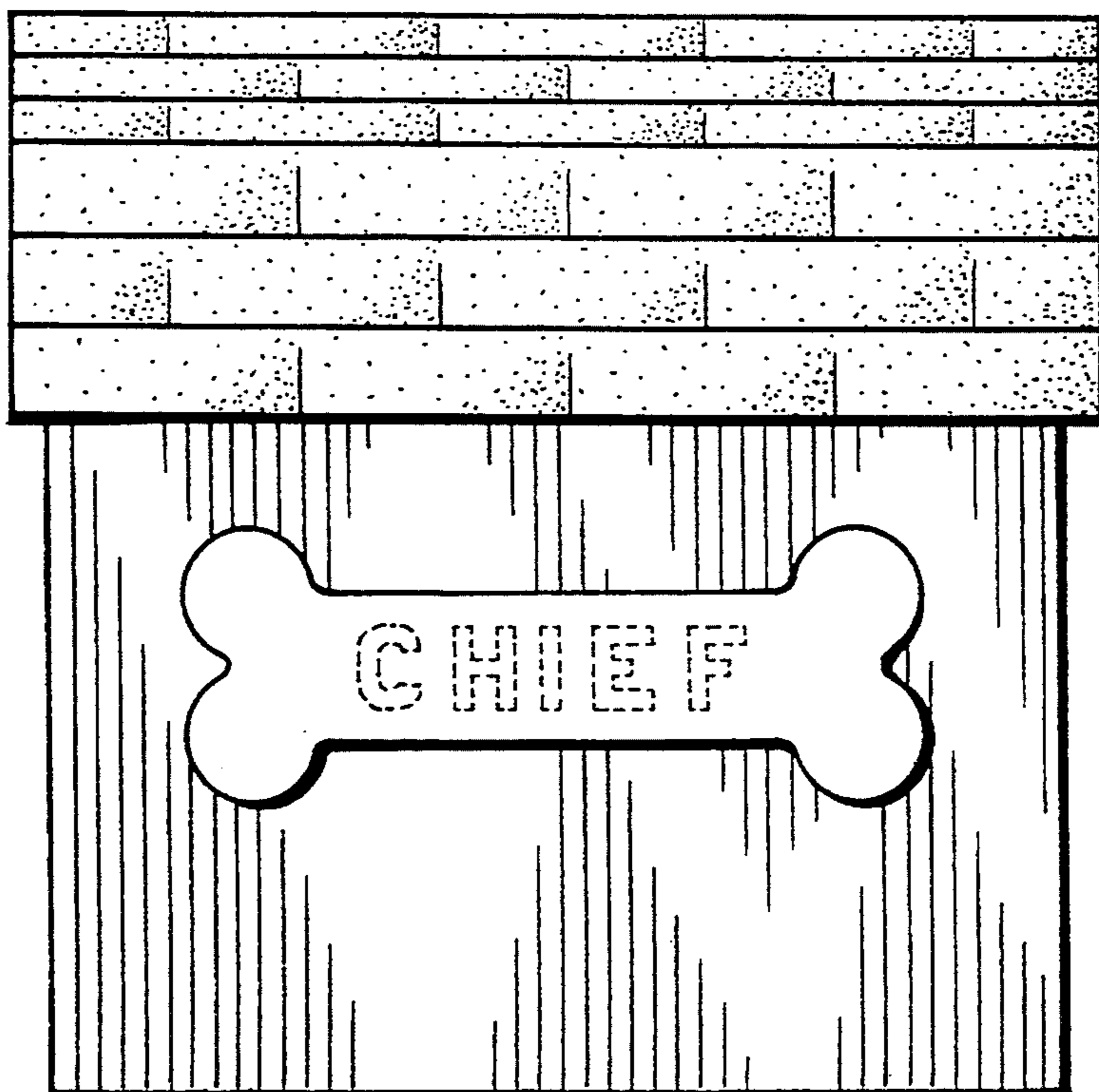


Fig. 2

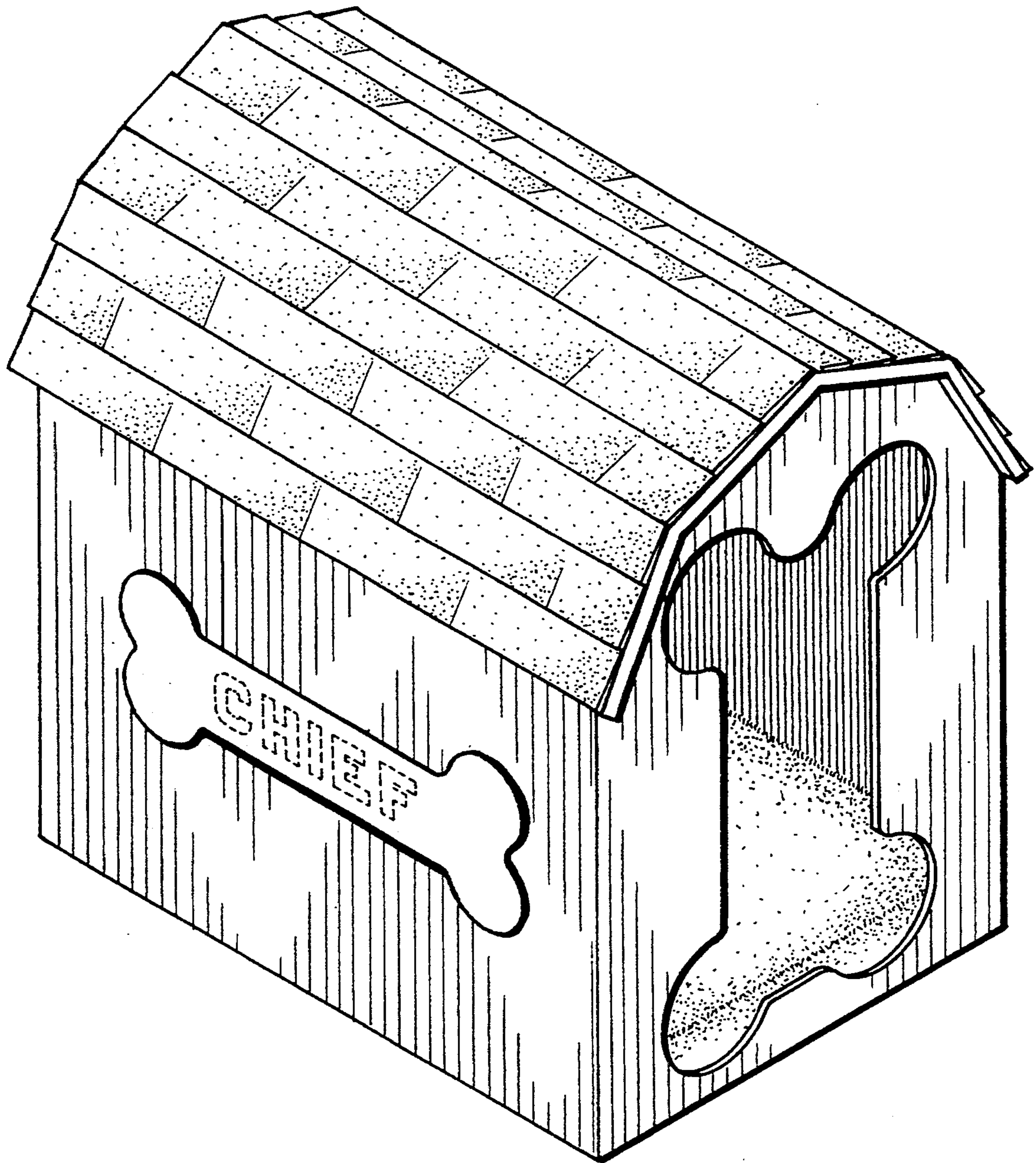


Fig. 3

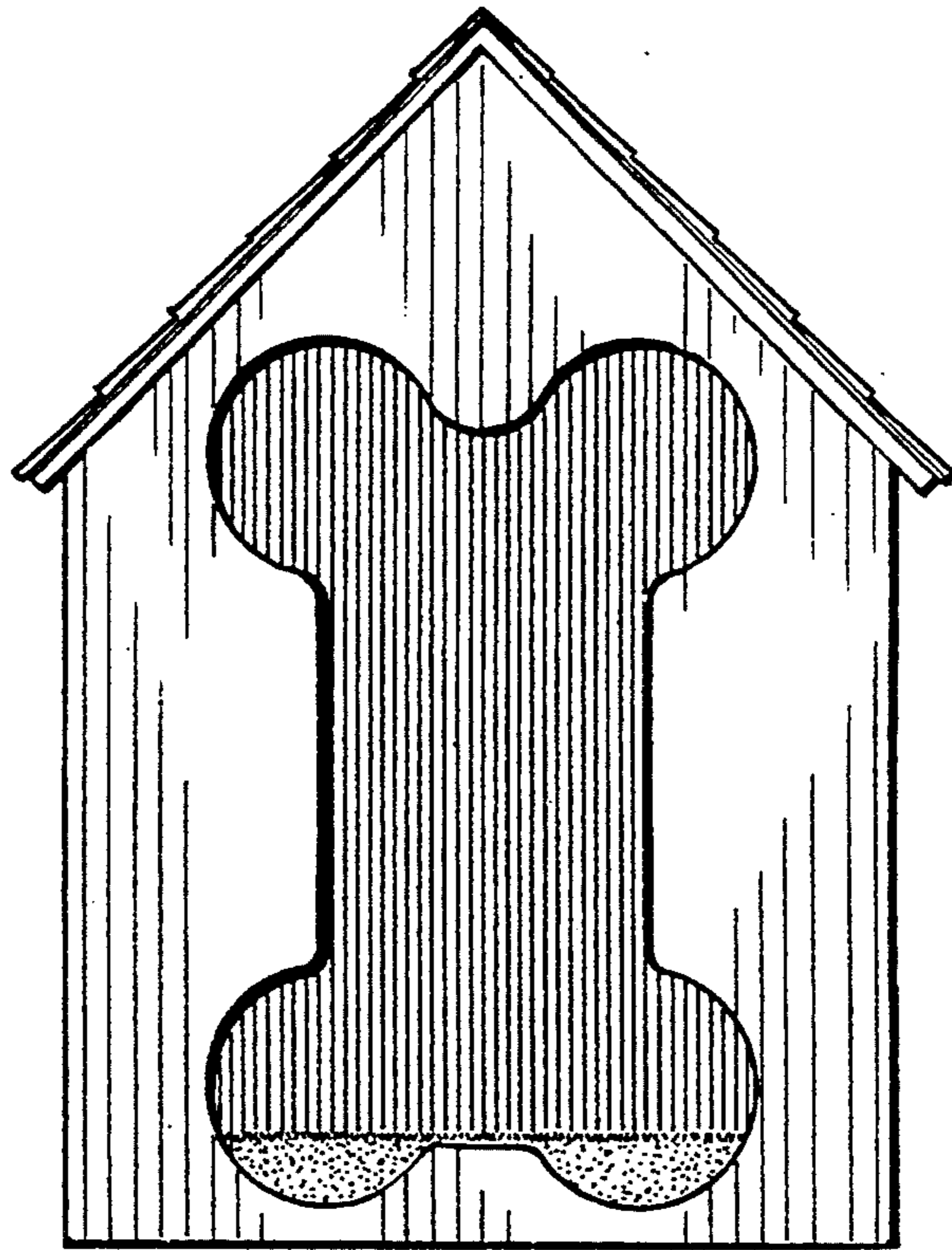


Fig. 4

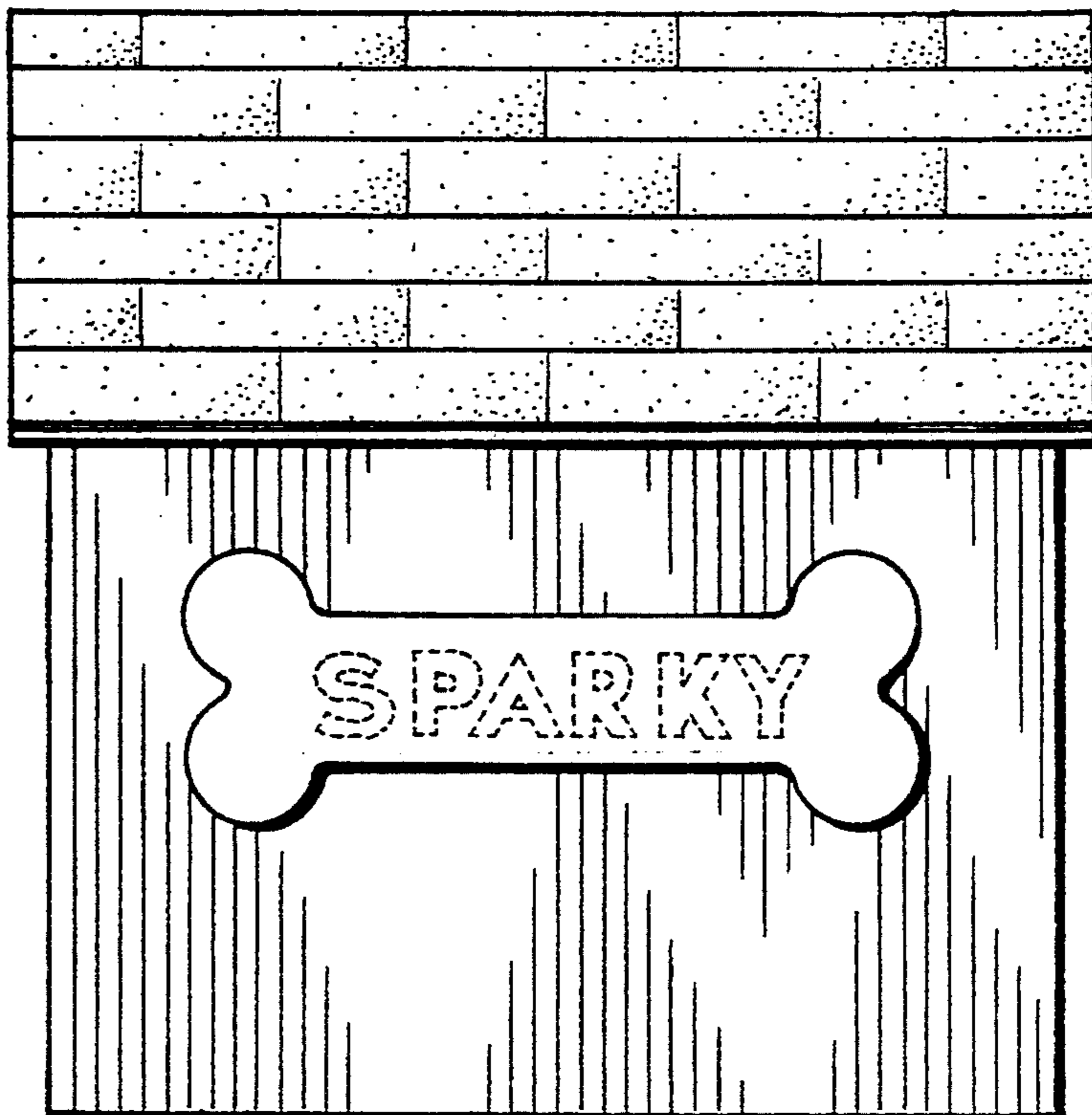


Fig. 5

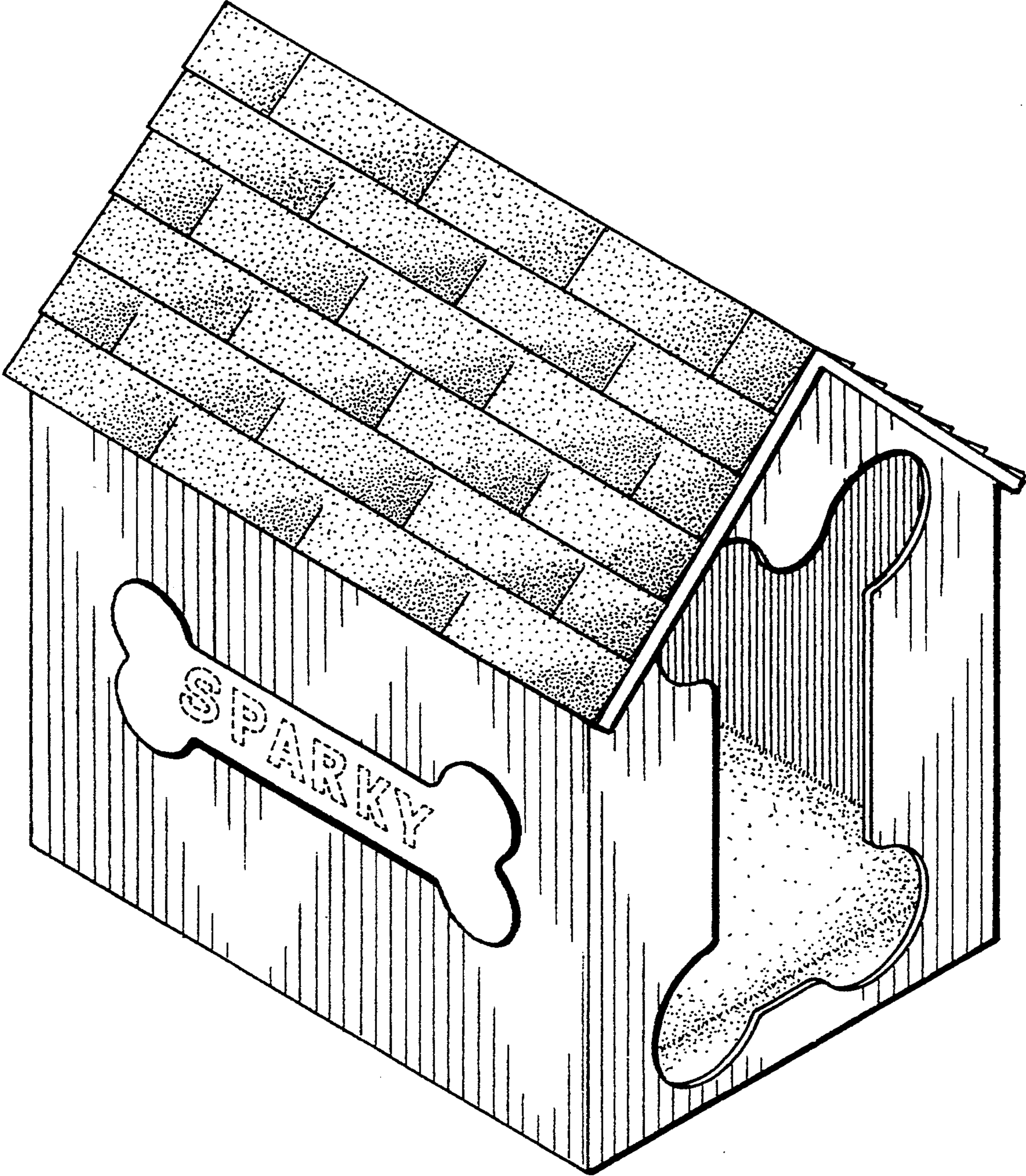


Fig. 6