



US00D360485S

United States Patent [19]

[11] Patent Number: **Des. 360,485**

Simonelli

[45] Date of Patent: **** Jul. 18, 1995**

[54] **HAIR CLIPPER STAND**

[75] Inventor: **Robert Simonelli, Palatine, Ill.**

[73] Assignee: **Wahl Clipper Corporation, Sterling, Ill.**

[**] Term: **14 Years**

[21] Appl. No.: **18,519**

[22] Filed: **Feb. 8, 1994**

[52] U.S. Cl. **D28/73**

[58] Field of Search **D28/73, 61, 52-54; D6/526; 206/349, 351; 248/117.5, 346, 314, 127, 176, 117.1, 117.2; 211/13, 60.1, 70.1, 70.6; 30/90; 219/242**

[56] **References Cited**

U.S. PATENT DOCUMENTS

D. 287,648	1/1987	Wahl et al.	D28/53
D. 305,074	12/1989	Mockovak	D28/74
D. 310,272	8/1990	Gallanis et al.	D28/53
D. 327,194	6/1992	Merkel	D6/534
D. 339,655	9/1993	Sulik	D28/53
3,090,590	5/1963	Hester	211/74 X
3,924,097	12/1975	Knowles et al.	219/242
4,090,613	5/1978	McPherson	248/314 X

FOREIGN PATENT DOCUMENTS

4221593 8/1992 Japan 30/42

OTHER PUBLICATIONS

W. Bell & Co. catalog, p. 20—charging base shown with Norelco Rotatract 800-RX Shaver.

Primary Examiner—Theodore M. Shooman

Assistant Examiner—C. Tuttle

Attorney, Agent, or Firm—Greer, Burns & Crain, Ltd.

[57] **CLAIM**

The ornamental design for a hair clipper stand, as shown and described.

DESCRIPTION

FIG. 1 is perspective view of the hair clipper stand showing my new design;

FIG. 2 is a front view thereof;

FIG. 3 is a rear view thereof;

FIG. 4 is a left side view thereof;

FIG. 5 is a top view thereof; and,

FIG. 6 is a bottom view thereof.

The right side, not shown in the figures, is a mirror image of the left side shown in FIG. 4.

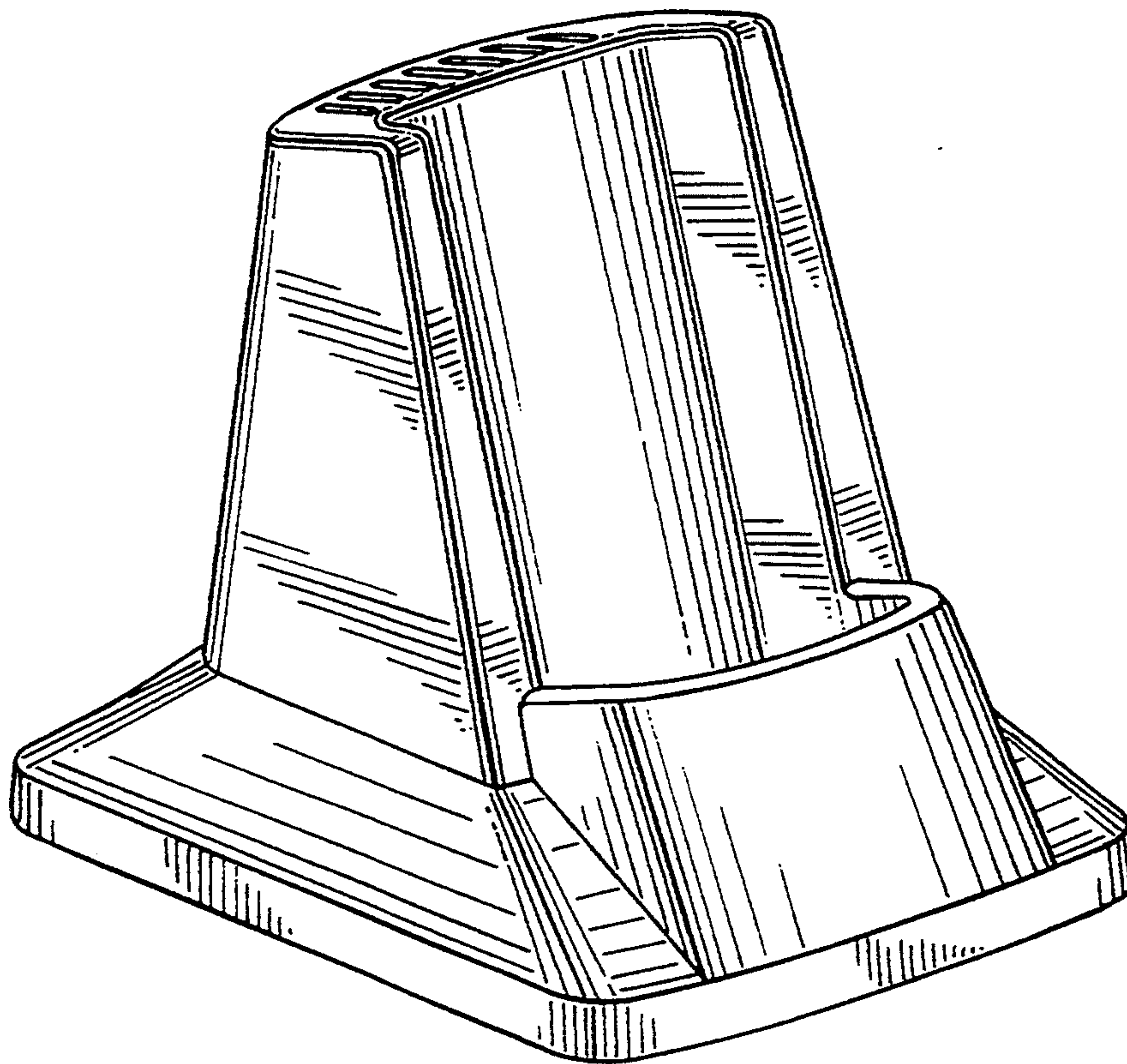


FIG. 1

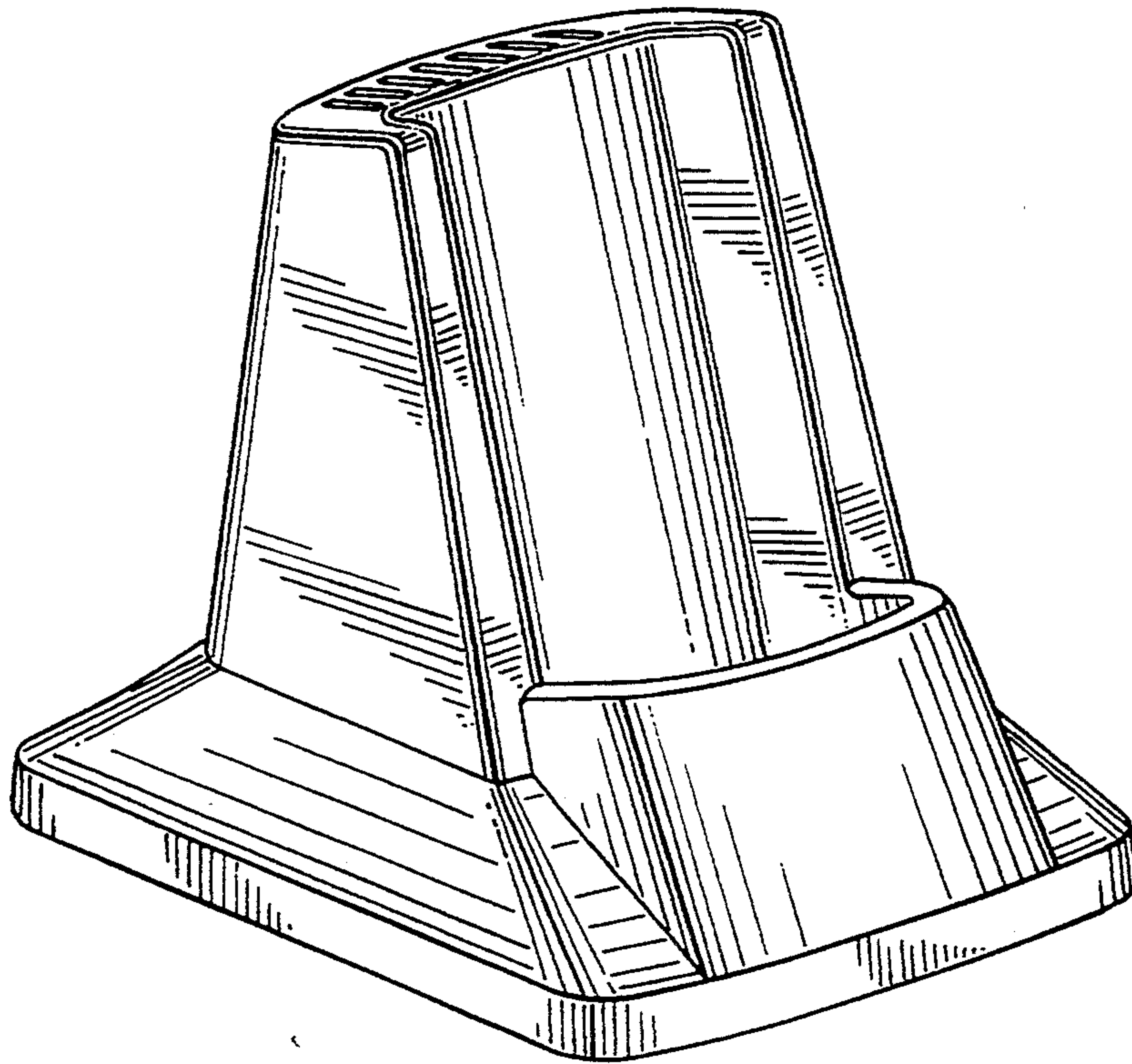


FIG. 2

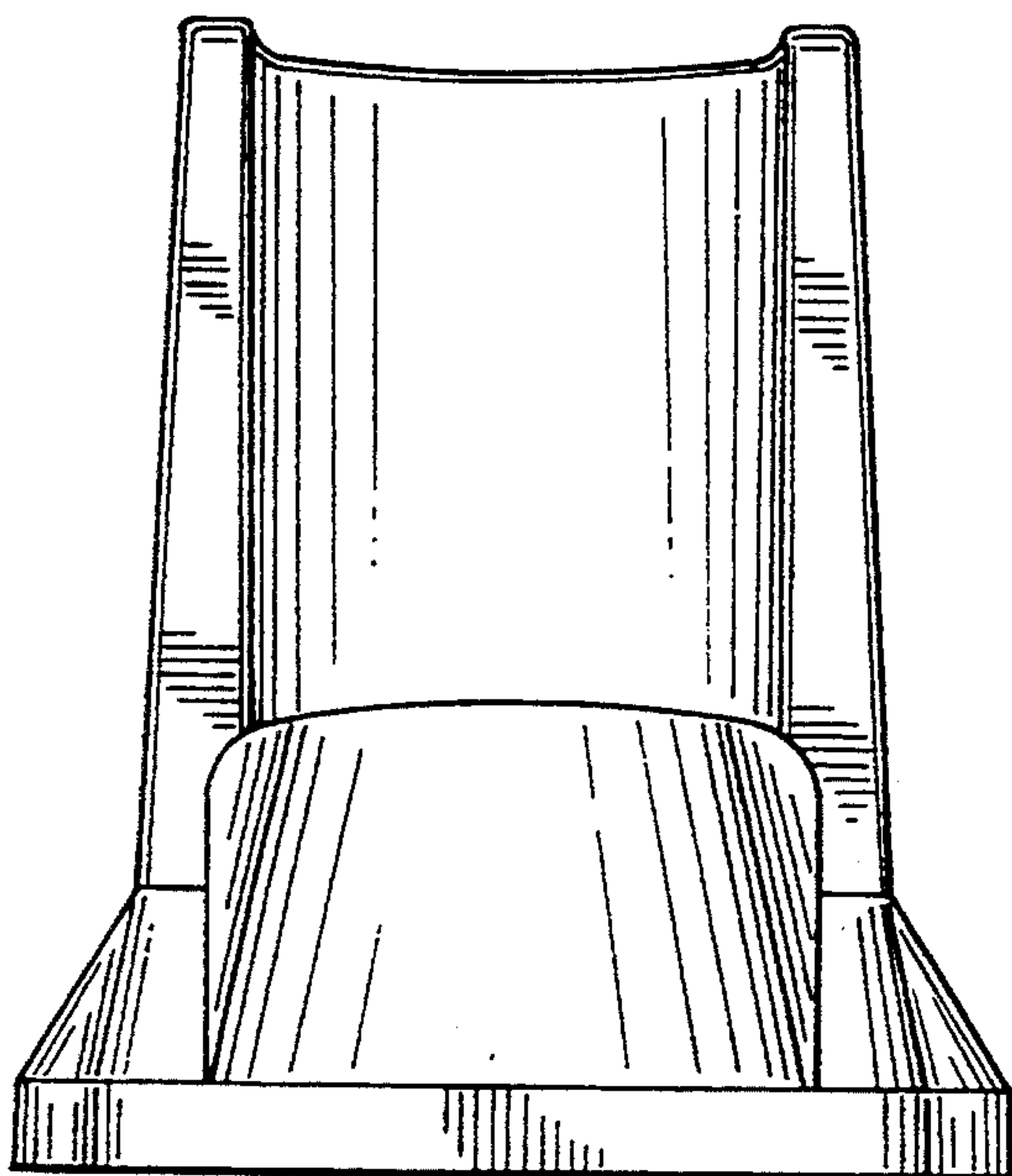
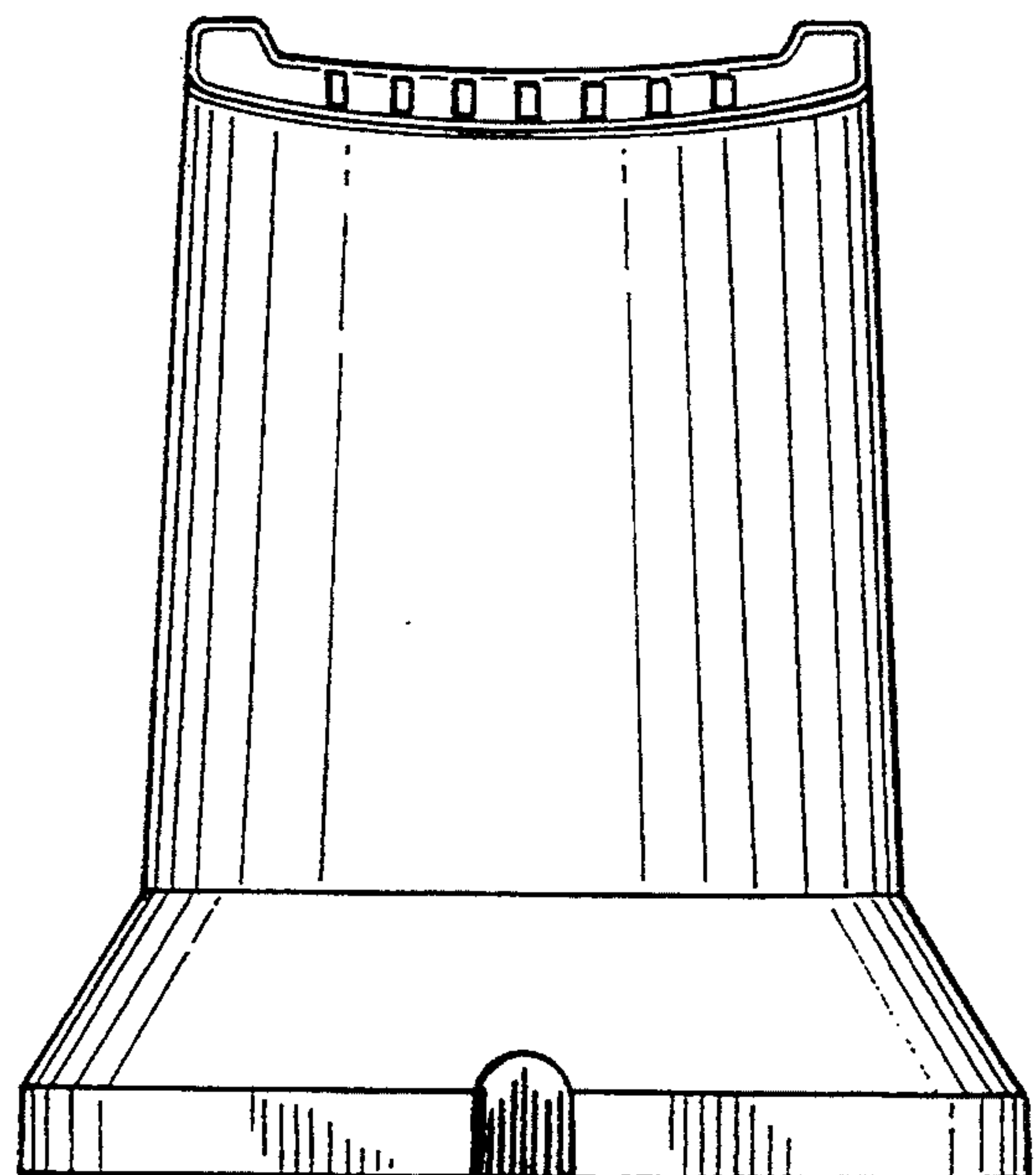


FIG. 3



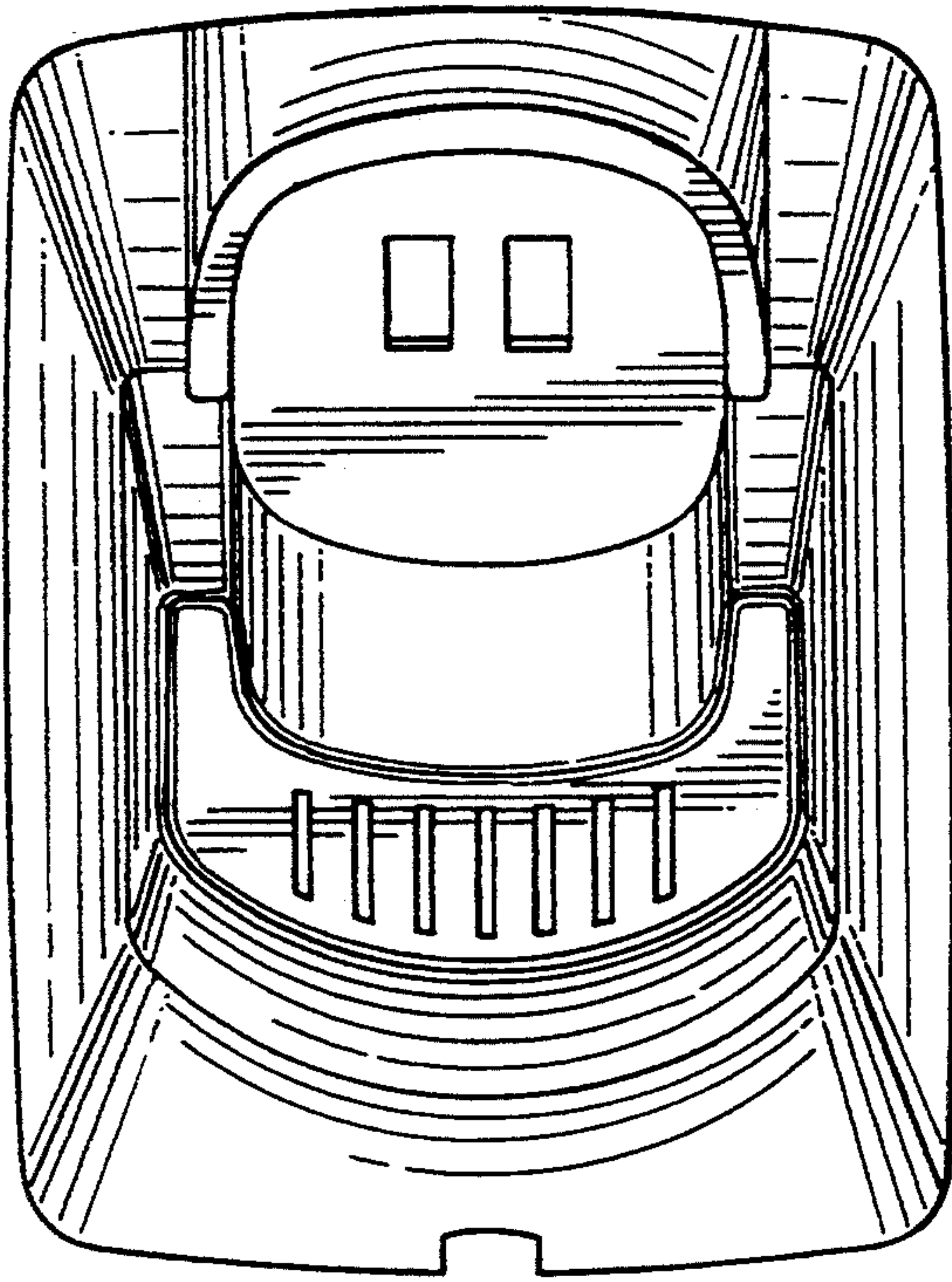


FIG. 5

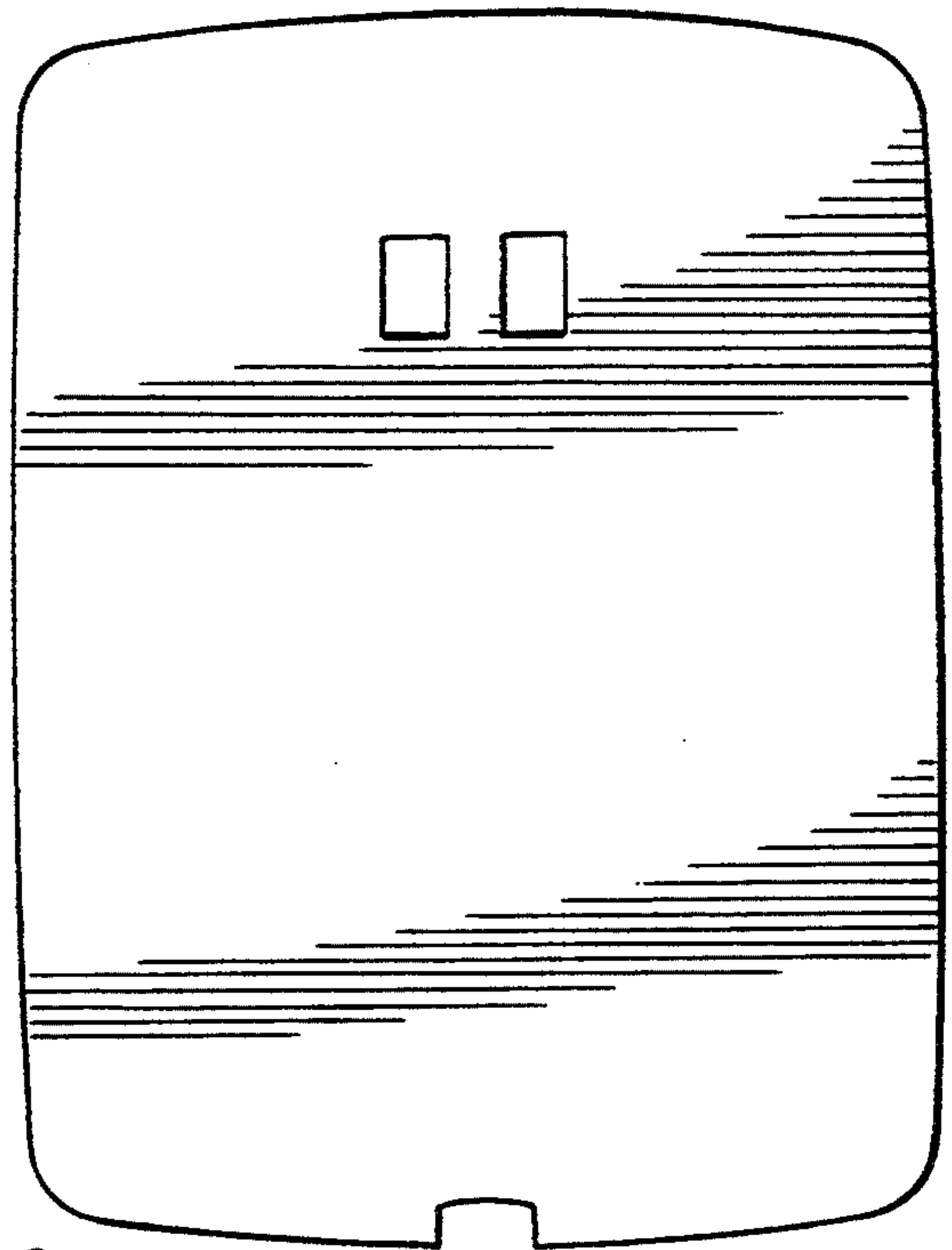


FIG. 6

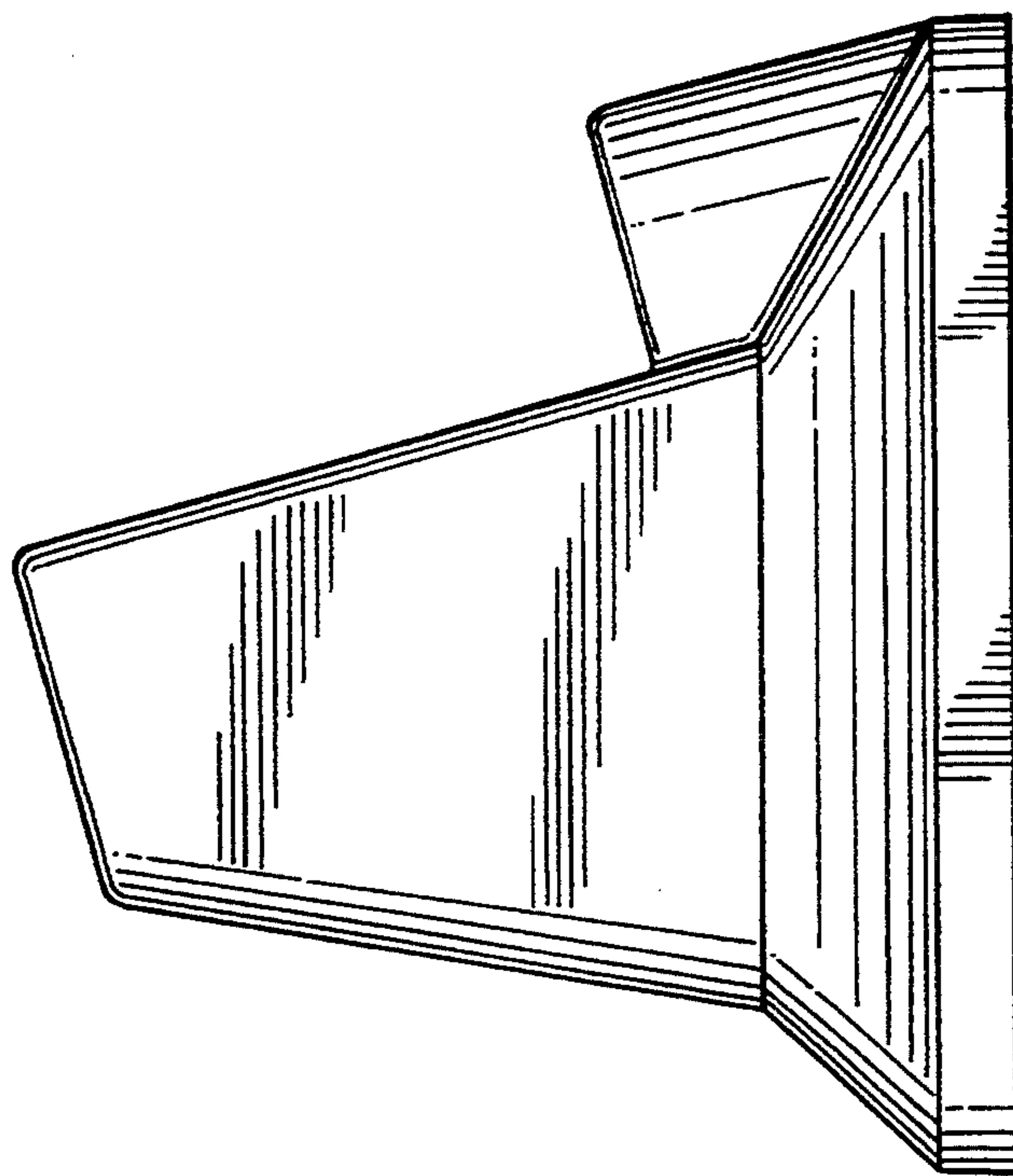


FIG. 4