



US00D360480S

# United States Patent [19]

[11] Patent Number: **Des. 360,480**

Hon

[45] Date of Patent: **\*\* Jul. 18, 1995**

[54] FLASHLIGHT

[75] Inventor: **Chan C. Hon**, New Territories, Hong Kong

[73] Assignee: **Sunrich Manufactory Ltd.**, New Territories, Hong Kong

[\*\*] Term: **14 Years**

[21] Appl. No.: **30,518**

[22] Filed: **Nov. 1, 1994**

[52] U.S. Cl. .... **D26/43**

[58] Field of Search ..... **D26/37-50;**  
362/157, 158, 183, 184, 187-202

### [56] References Cited

#### U.S. PATENT DOCUMENTS

D. 337,839	7/1993	Zeller	.....	D26/43
1,692,394	11/1928	Sundh	.....	362/198
3,117,277	11/1963	Grimsley	.....	362/197

Primary Examiner—Susan J. Lucas

Attorney, Agent, or Firm—Nims, Howes, Collison, Hansen & Lackert

### [57] CLAIM

The ornamental design for a flashlight, as shown and described.

### DESCRIPTION

FIG. 1 is a top front perspective view of the flashlight showing my new design with the lamp and flex arm stored;

FIG. 2 is a bottom perspective view;

FIG. 3 is a top plan view;

FIG. 4 is a right side elevation view;

FIG. 5 is a bottom view;

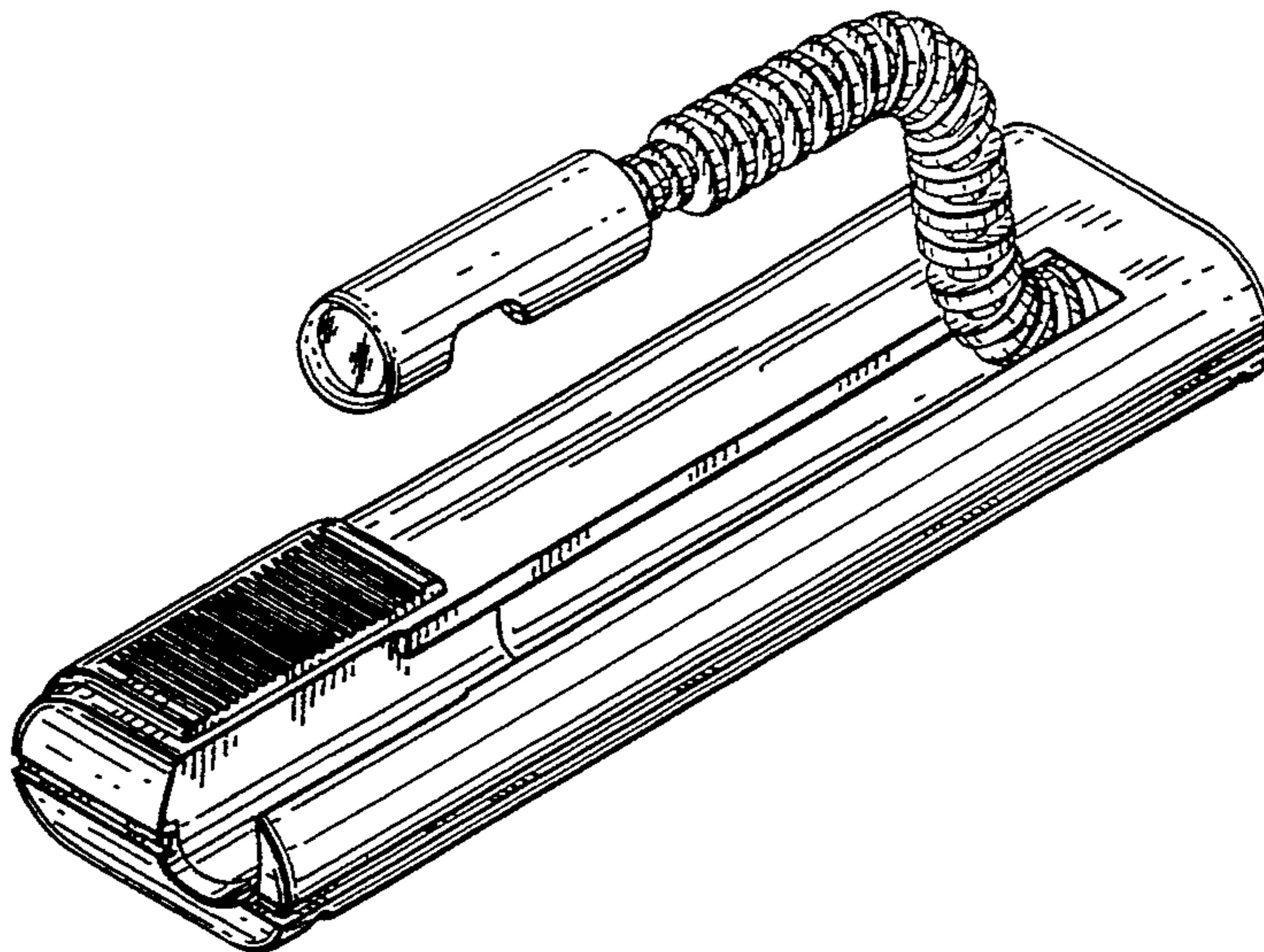
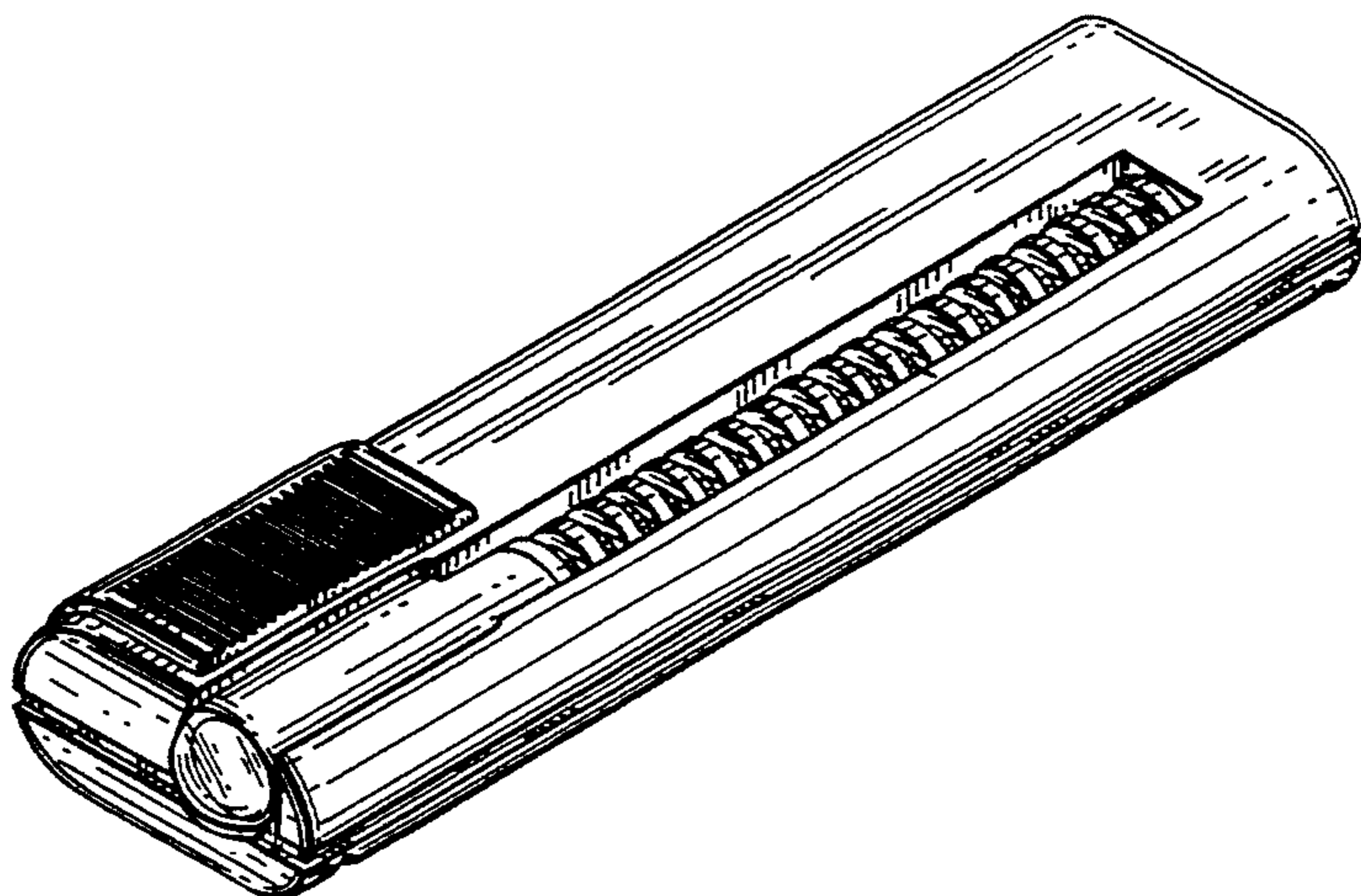
FIG. 6 is a front view;

FIG. 7 is a rear view;

FIG. 8 is a left side view;

FIG. 9 is a top plan view with the lamp partially extended; and,

FIG. 10 is a top front perspective with the lamp and flex arm fully extended.



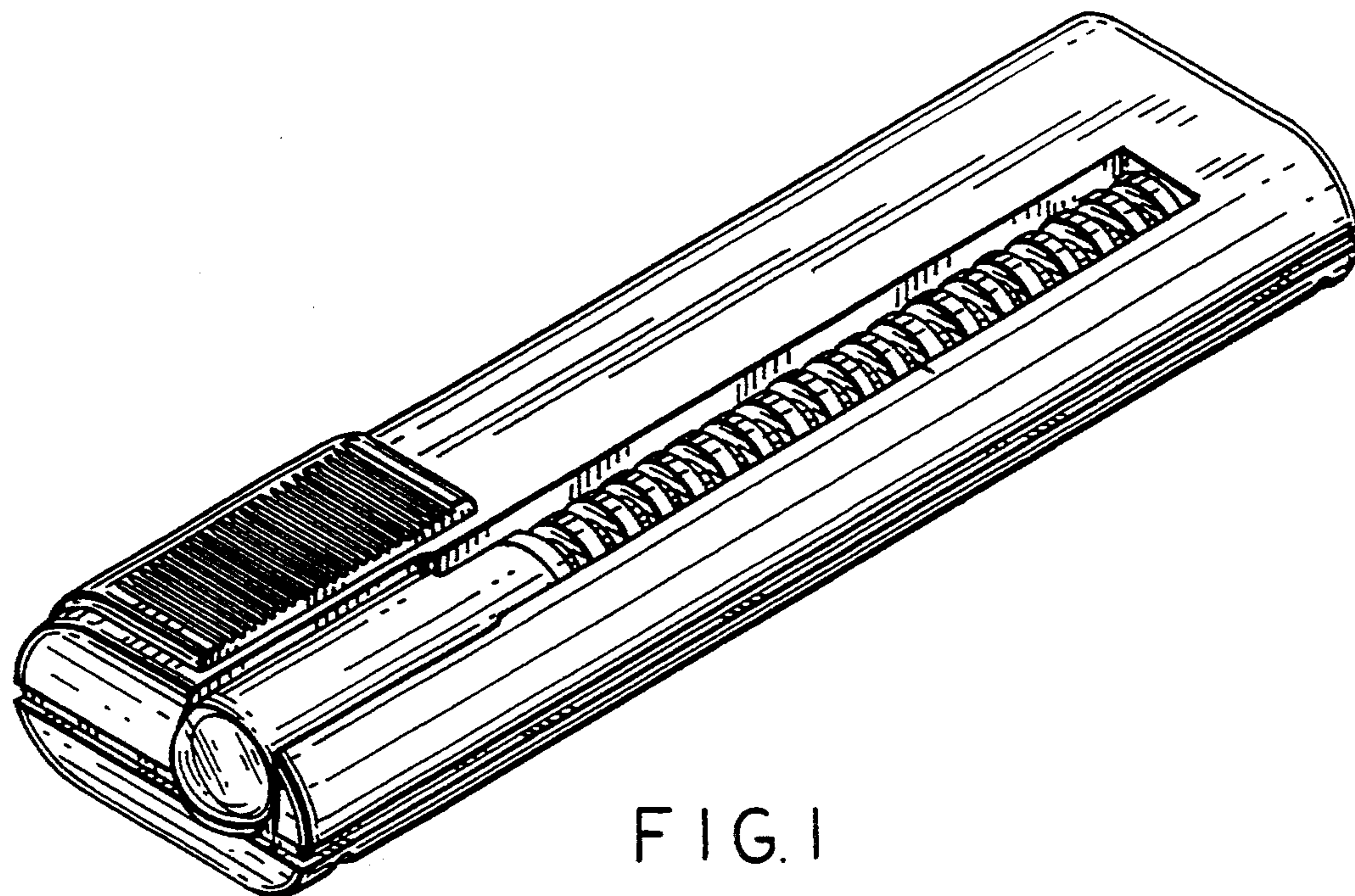


FIG. 1

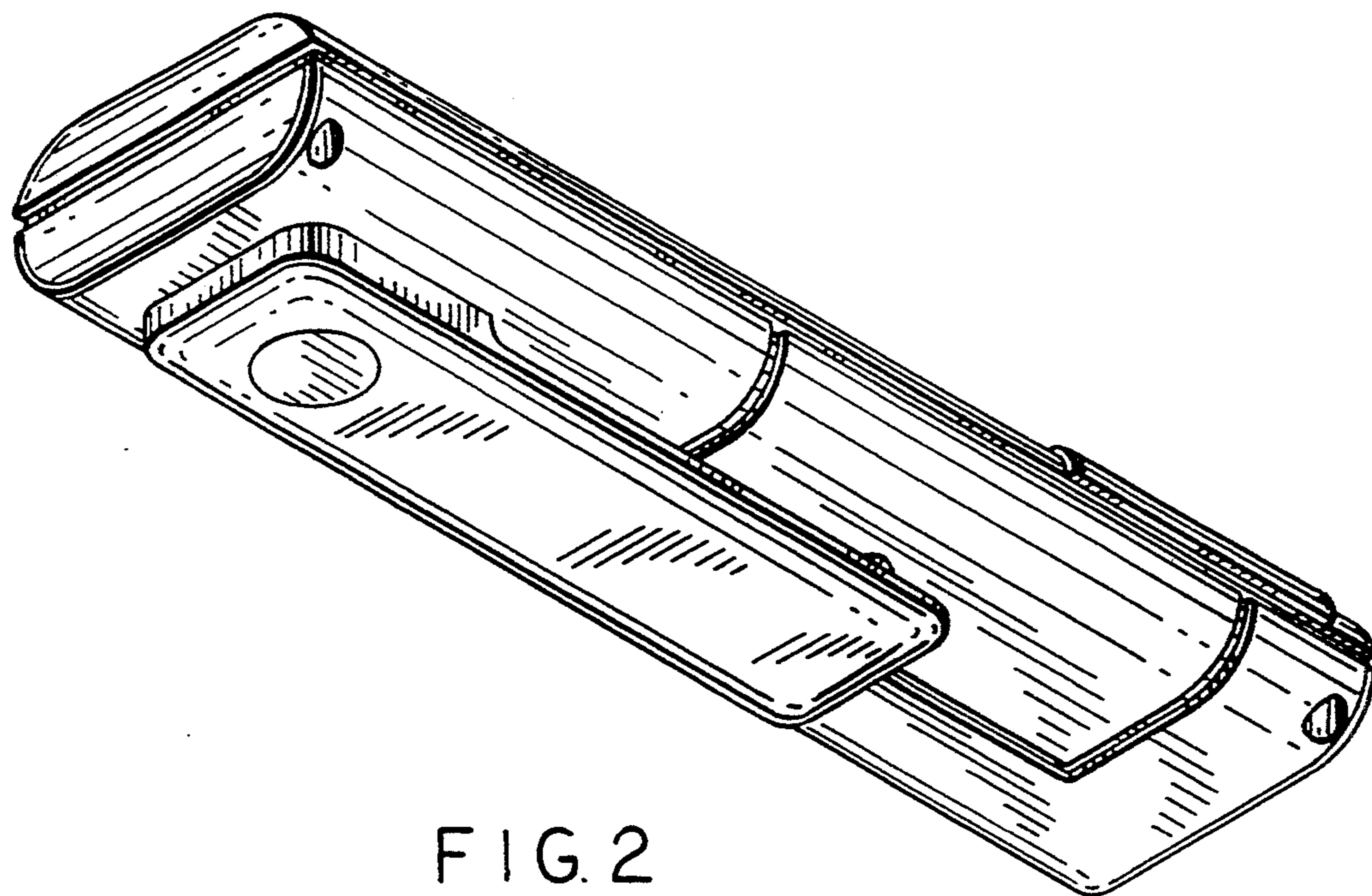


FIG. 2



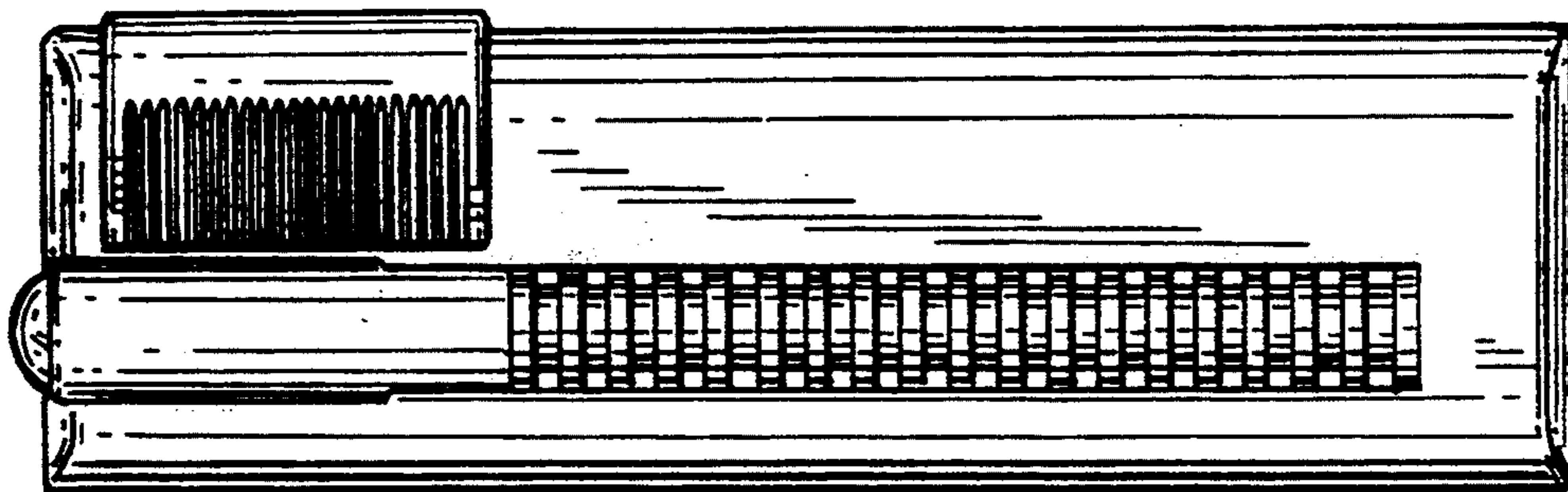


FIG. 3

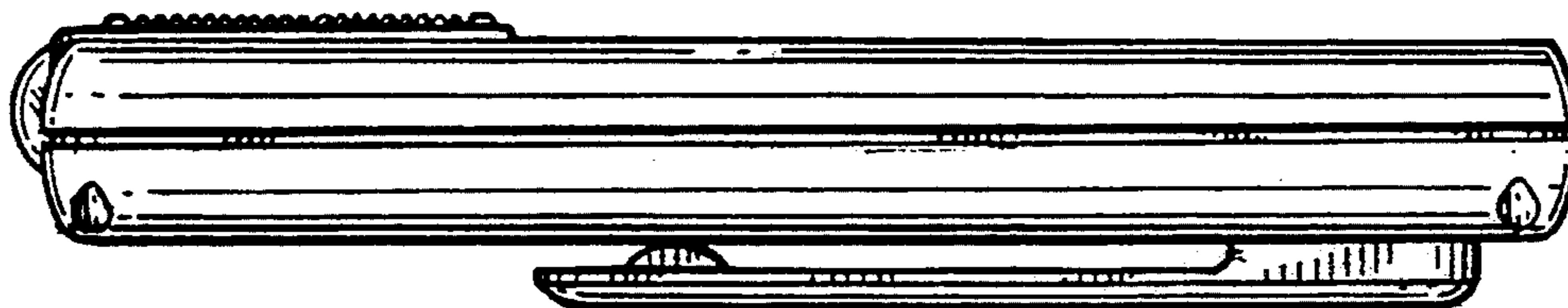


FIG. 4

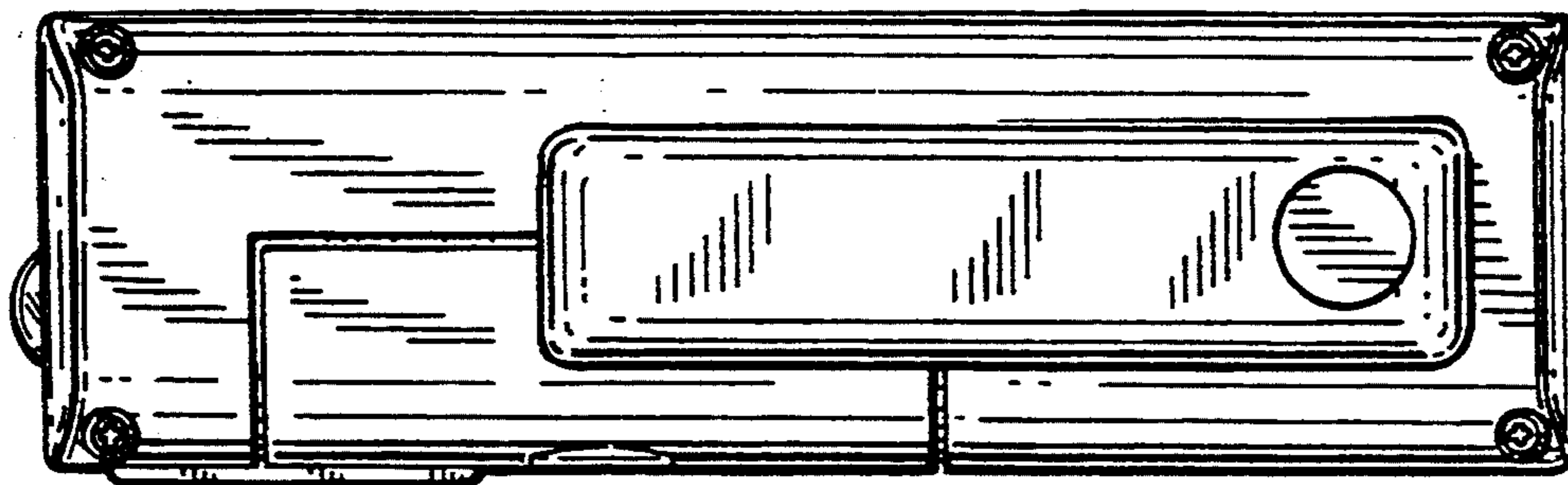


FIG. 5

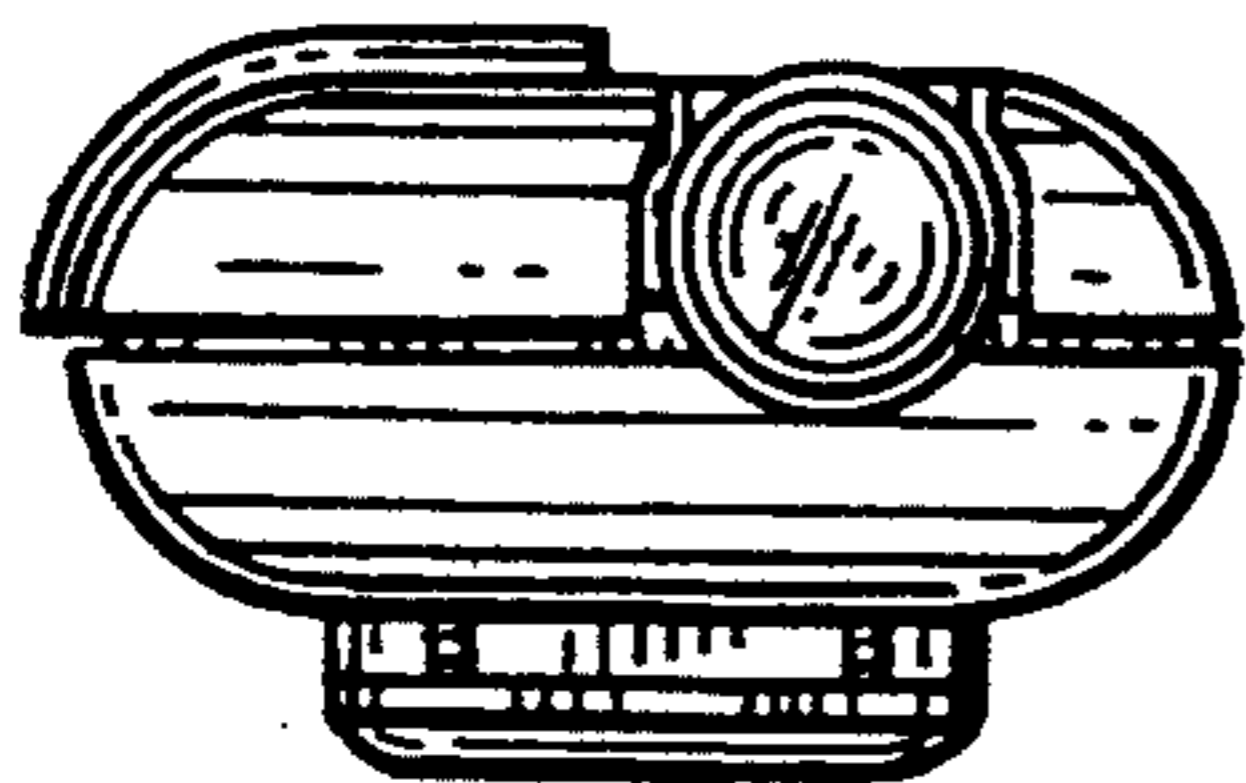


FIG. 6

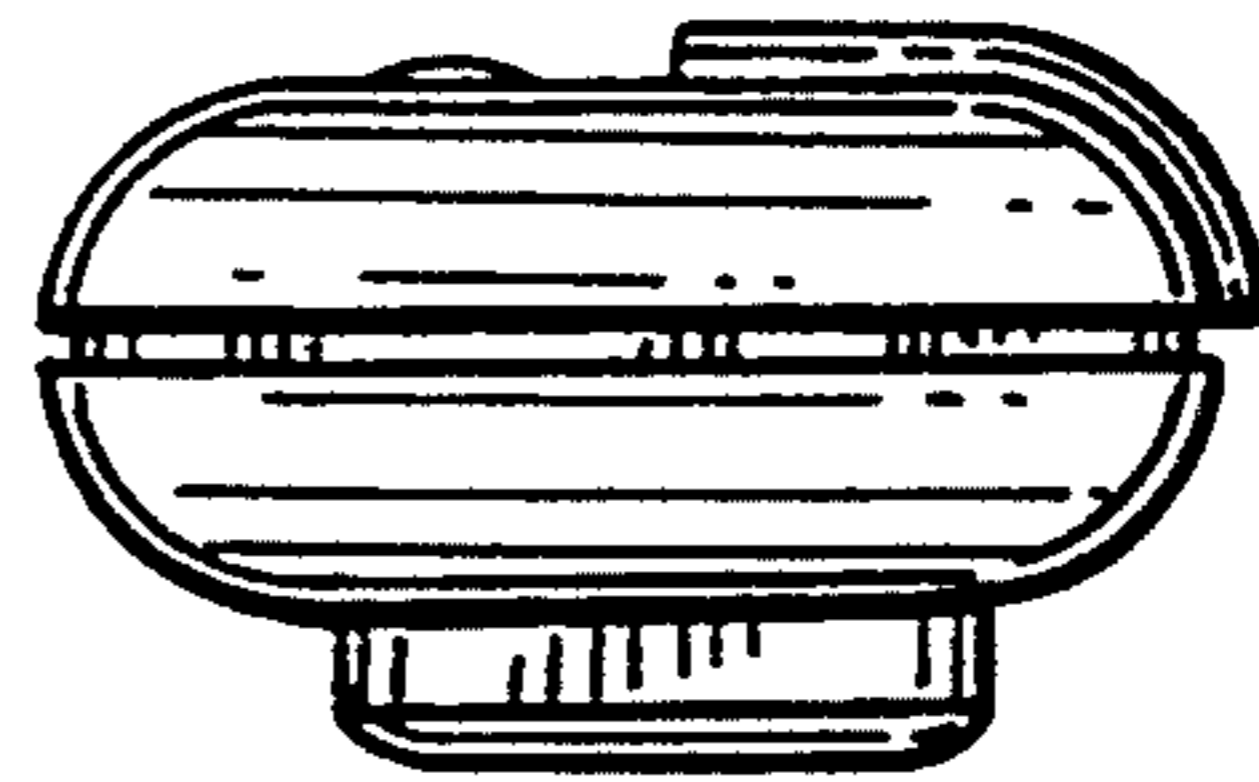


FIG. 7

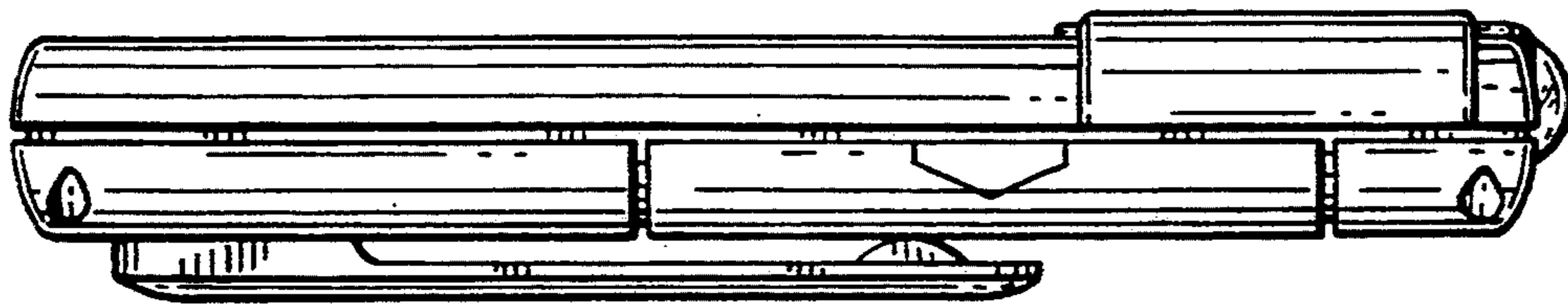


FIG. 8

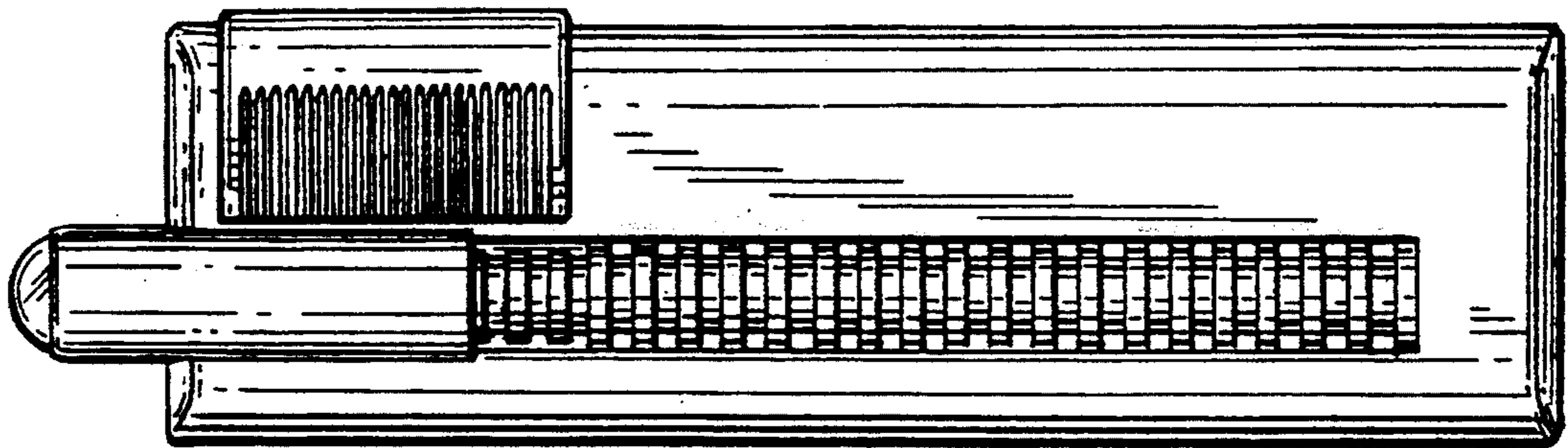


FIG. 9

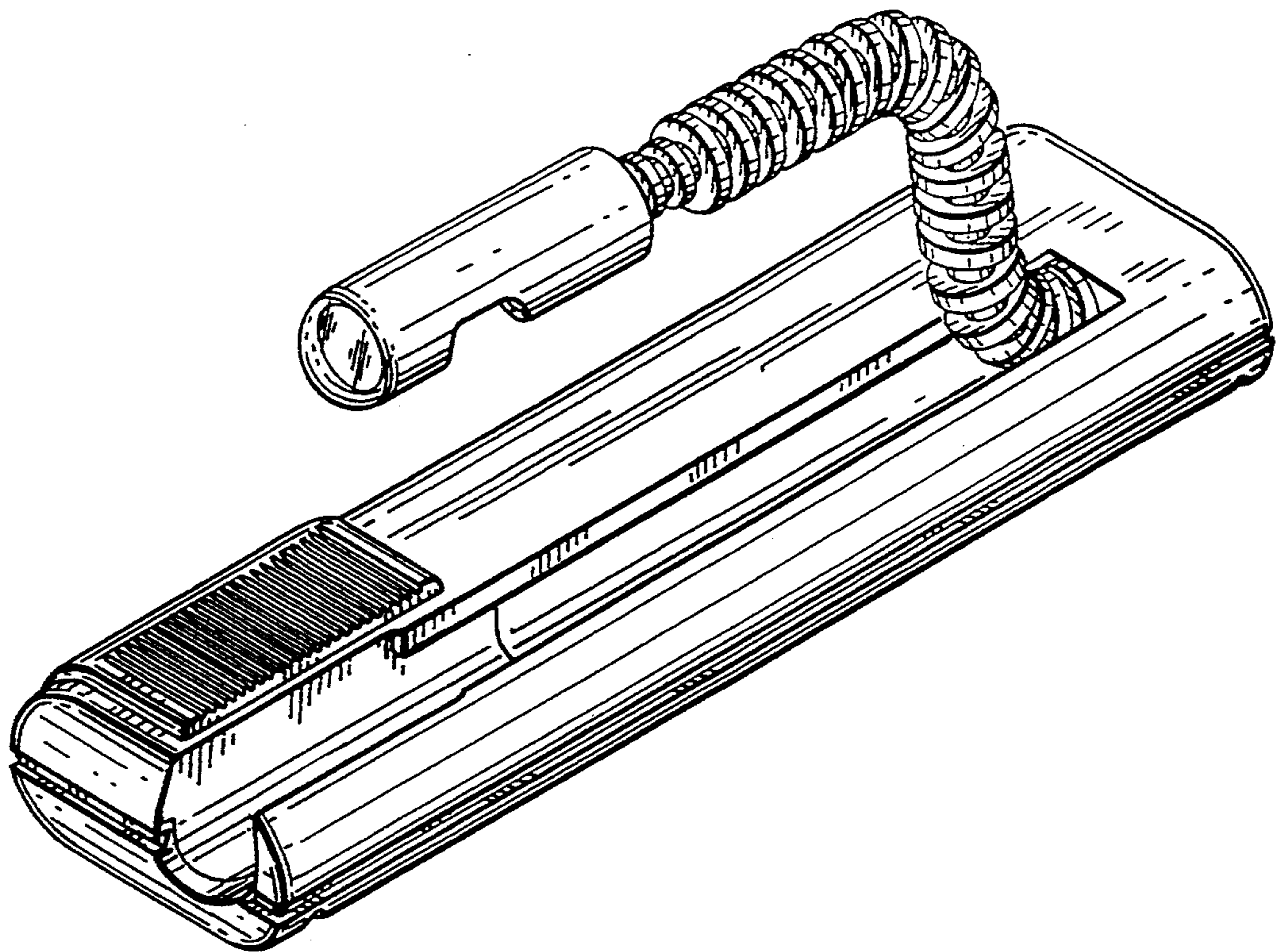


FIG. 10