



US00D360468S

United States Patent [19] Fuller

[11] Patent Number: **Des. 360,468**
[45] Date of Patent: **** Jul. 18, 1995**

[54] **NEONATAL NIPPLE**
[75] Inventor: **Ronald C. Fuller, Evansville, Ind.**
[73] Assignee: **Bristol-Myers Squibb Company, New York, N.Y.**
[**] Term: **14 Years**
[21] Appl. No.: **763,764**
[22] Filed: **Sep. 23, 1991**
[52] U.S. Cl. **D24/196**
[58] Field of Search **D24/196, 197, 198, 199, D24/193; 215/11.1, 11.2, 11.3, 11.4, 11.5, 11.6**

2,942,746 5/1957 Porthouse et al. .
2,959,314 12/1959 Sanchez .
2,960,088 11/1960 Witz .
2,977,013 3/1958 Clemens .
3,113,569 8/1960 Barr et al. .
3,159,297 6/1962 Searer .
4,940,151 7/1990 Fett .

FOREIGN PATENT DOCUMENTS

108497 6/1985 Spain .

Primary Examiner—Stella Reid
Attorney, Agent, or Firm—Jones, Tullar & Cooper

[57] CLAIM

The ornamental design for a neonatal nipple, as shown.

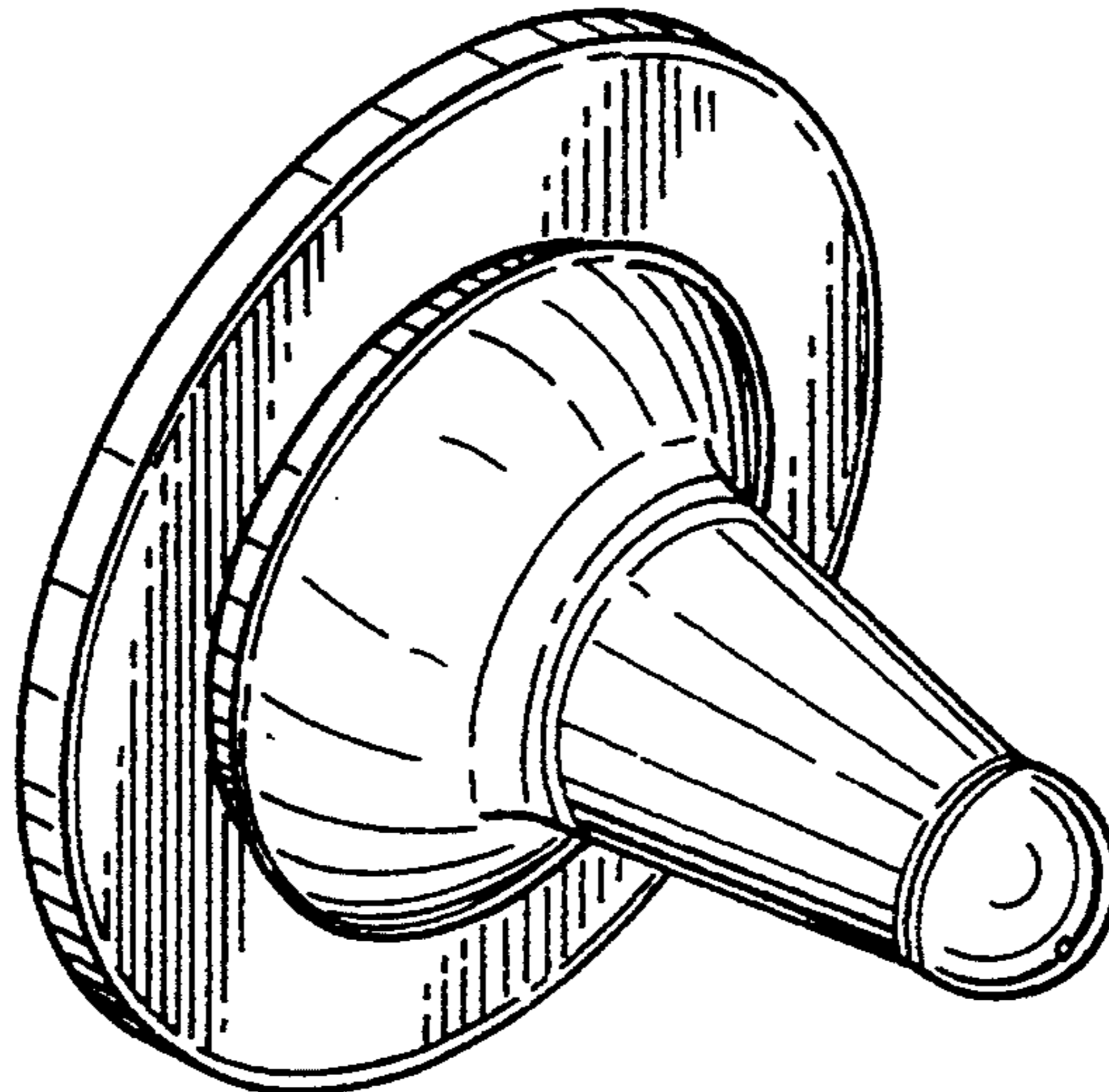
DESCRIPTION

FIG. 1 is a front perspective view of a neonatal nipple showing my new design;
FIG. 2 is a rear perspective view thereof;
FIG. 3 is a front elevational view thereof;
FIG. 4 is a left side elevational view thereof the right, top and bottom views being identical thereto;
FIG. 5 is a rear elevational view thereof; and,
FIG. 6 is a cross sectional view thereof, taken along line 6—6 of FIG. 5.

[56] References Cited

U.S. PATENT DOCUMENTS

156,549 11/1874 Dickinson .
D. 262,576 1/1982 Anderson-Shanklin et al. .
D. 271,798 12/1983 Araujo, Jr. D24/196
D. 288,241 2/1987 Fuller .
D. 300,462 3/1989 English et al. D24/194
589,212 11/1897 Michael .
1,821,913 3/1928 Smith .
2,497,198 2/1950 Allen 215/11.1
2,834,496 9/1955 Boston et al. .
2,889,063 2/1956 Bray .



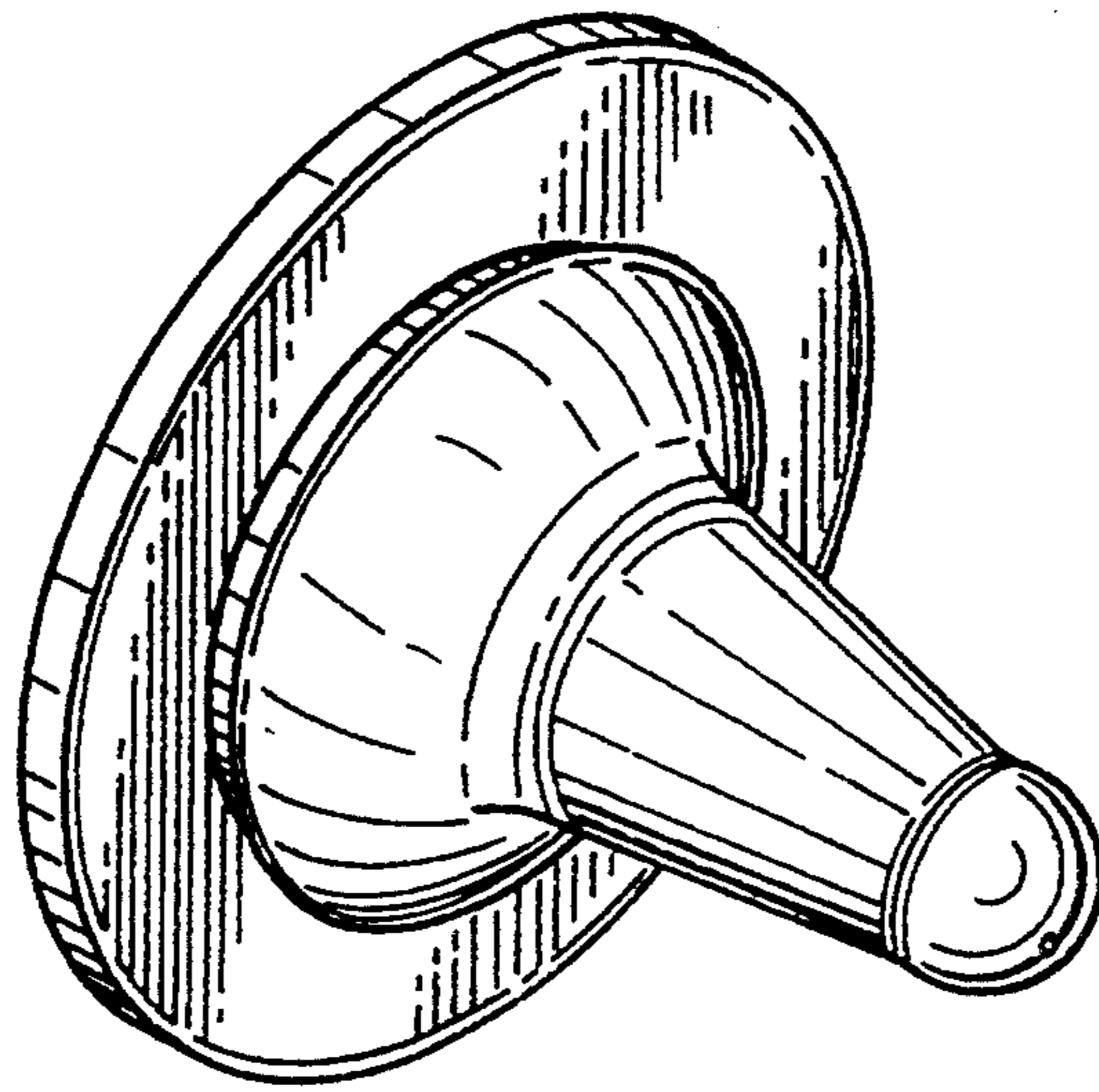


FIG. 1

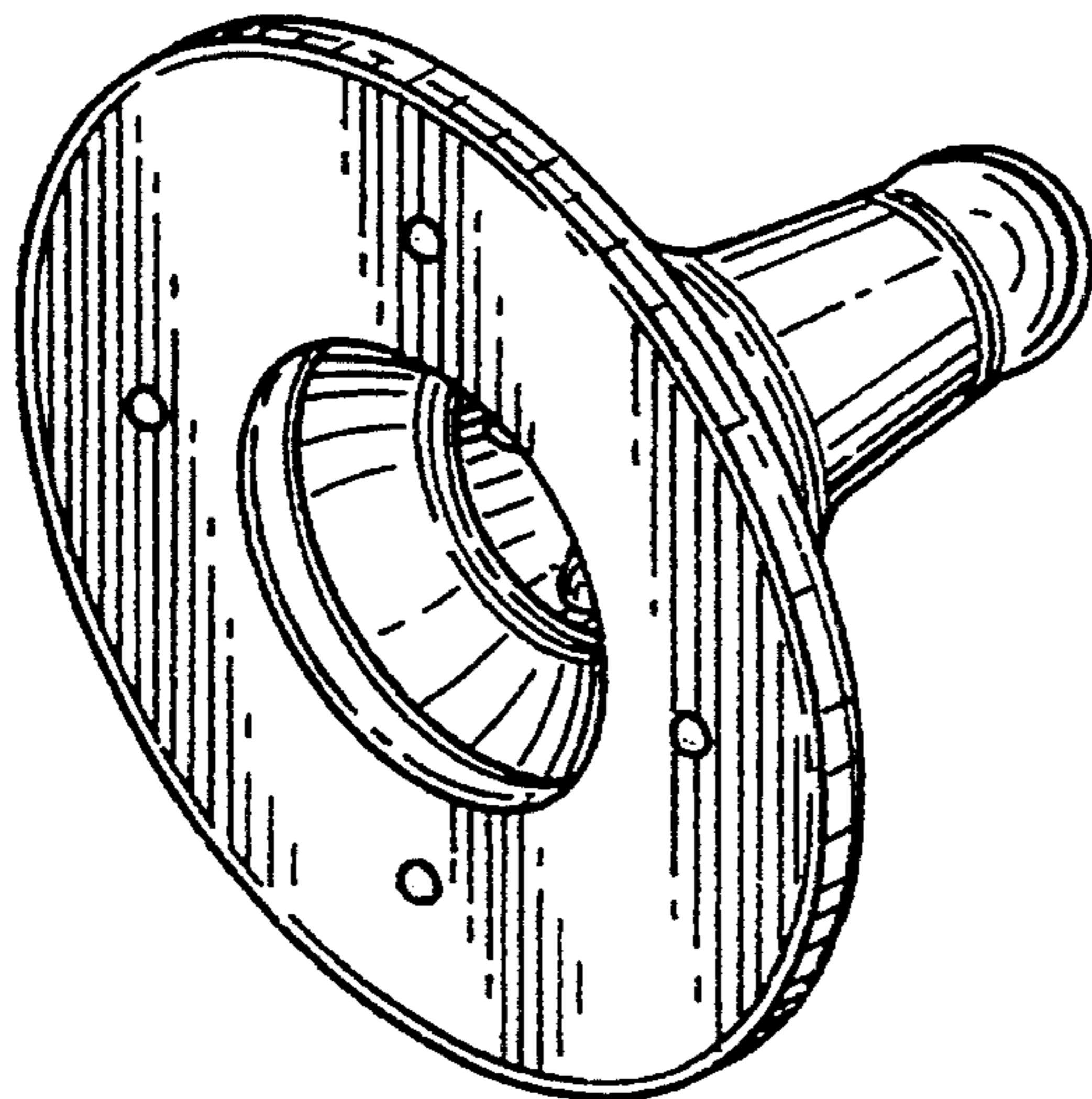


FIG. 2

FIG. 3

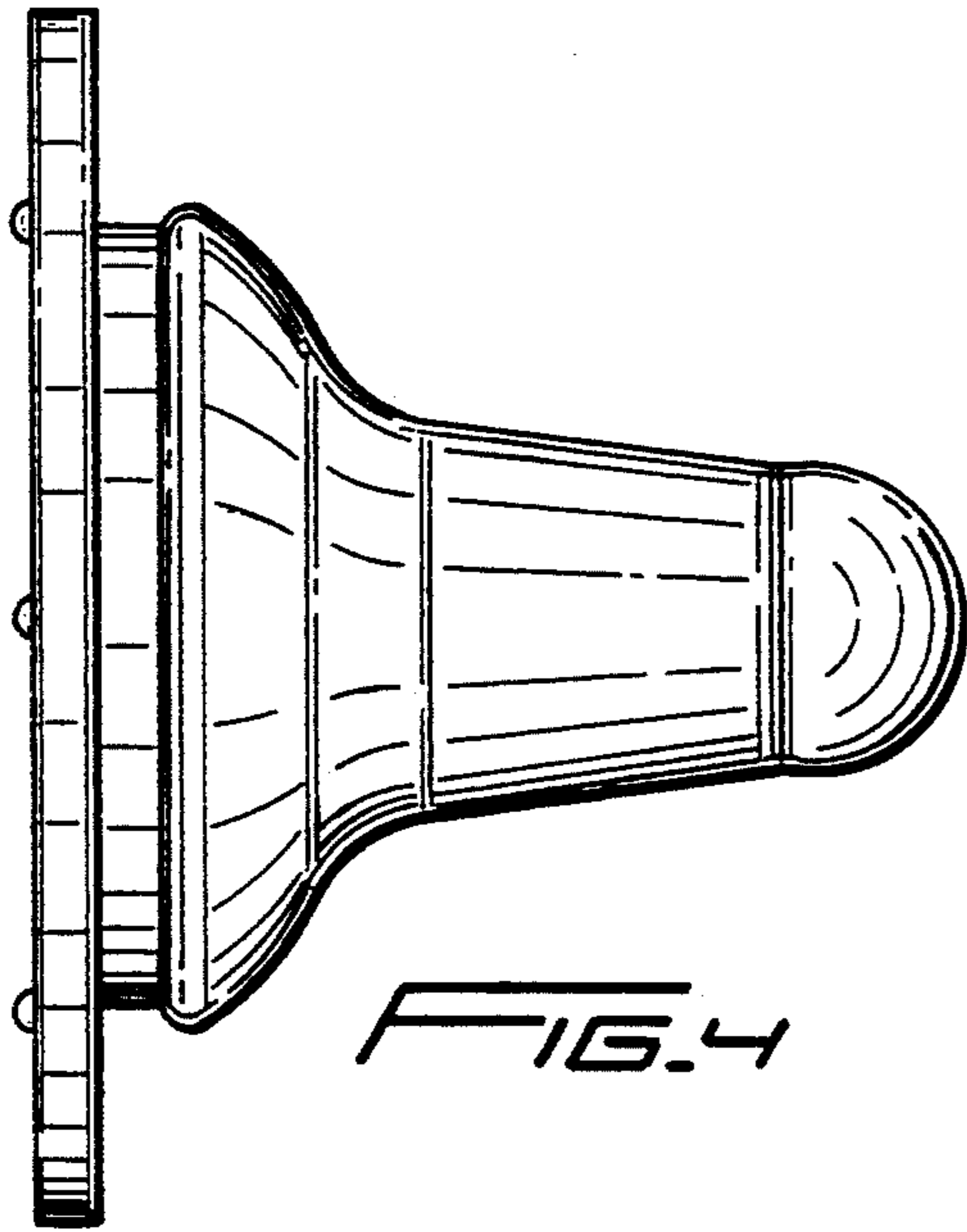
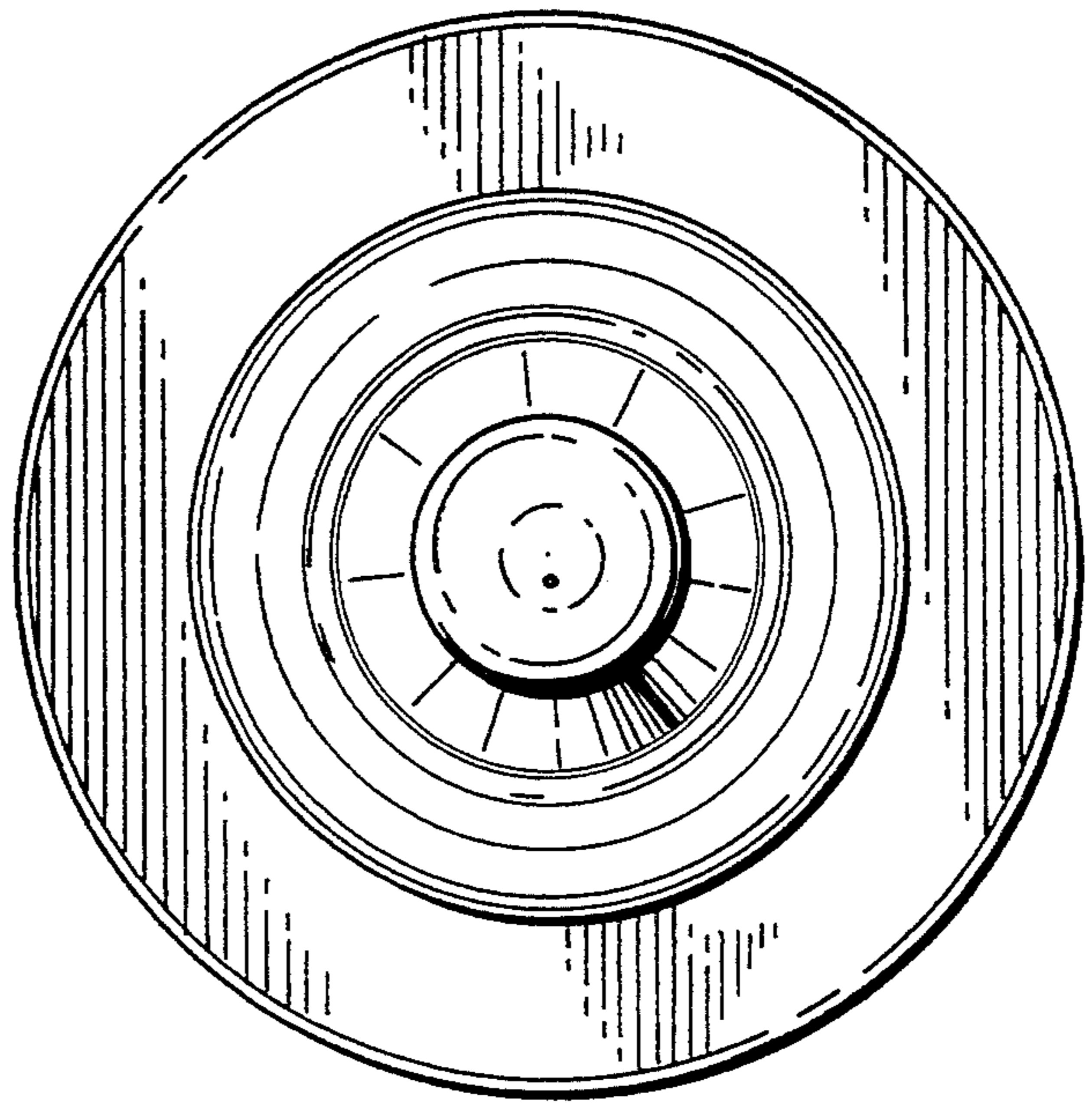


FIG. 4

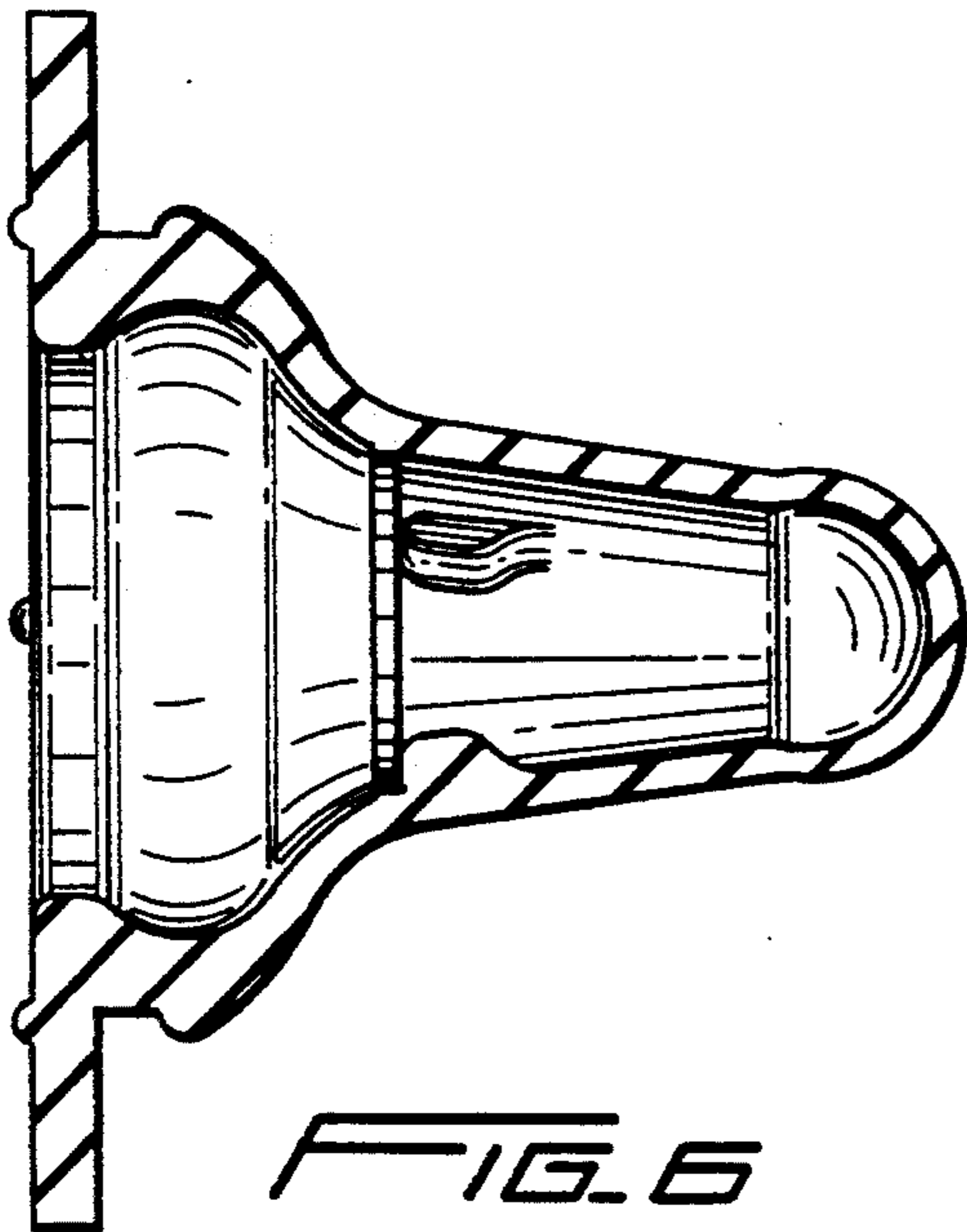
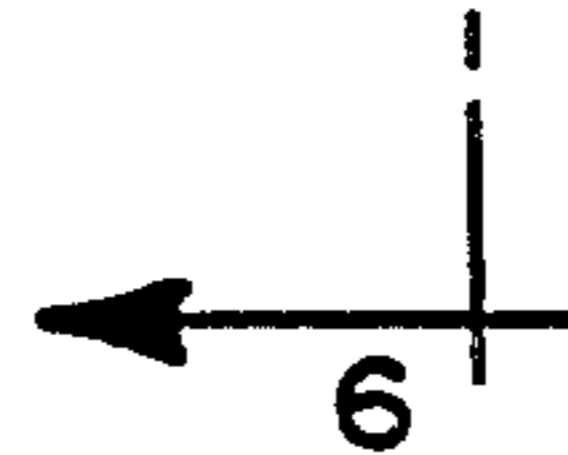
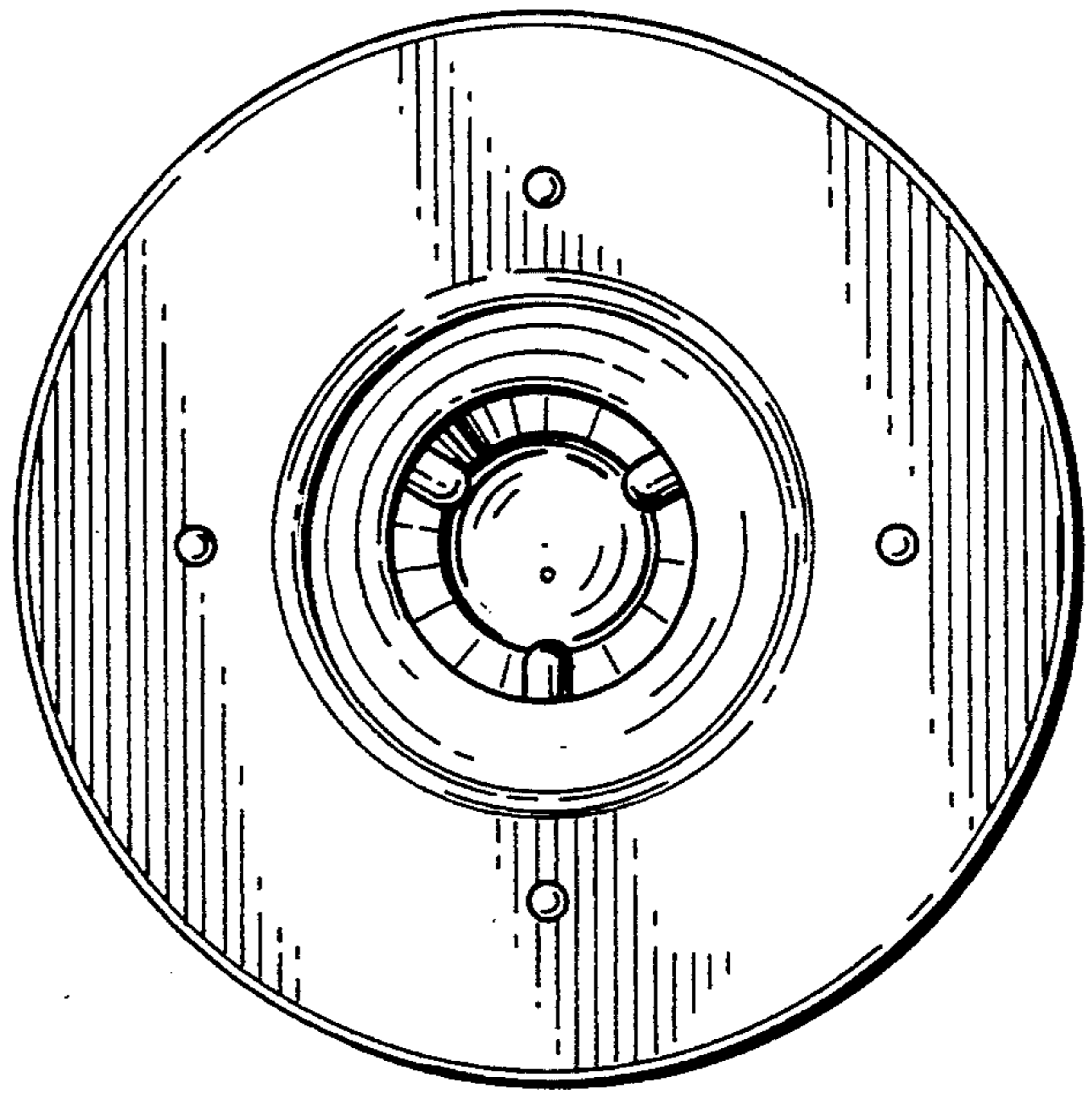
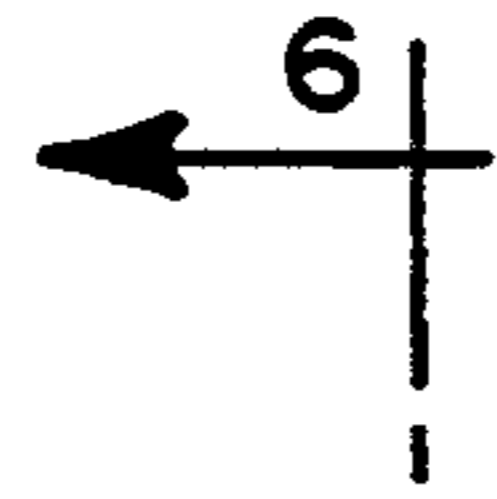


FIG. 6

FIG. 5