



US00D360465S

United States Patent [19]

[11] Patent Number: **Des. 360,465**

Niven

[45] Date of Patent: **** Jul. 18, 1995**

[54] **OPHTHALMIC LASER TREATMENT MACHINE**

[56] **References Cited**

U.S. PATENT DOCUMENTS

[75] Inventor: **Gregg D. Niven, Salt Lake City, Utah**

D. 254,933	5/1980	Muller	D24/172
D. 295,556	5/1988	Speaker	D24/172
4,187,005	2/1980	Rosenberger	351/245

[73] Assignee: **William H. McMahan, Robertson, Wyo.**

Primary Examiner—Stella Reid
Attorney, Agent, or Firm—Thorpe, North & Western

[**] Term: **14 Years**

[57] CLAIM

The ornamental design for an ophthalmic laser treatment machine, as shown and described.

[21] Appl. No.: **18,796**

DESCRIPTION

[22] Filed: **Feb. 15, 1994**

FIG. 1 is a perspective view of an ophthalmic laser treatment machine showing my new design;

[52] U.S. Cl. **D24/172**

FIG. 2 is a side view thereof;

[58] Field of Search **D24/172; 351/243, 244, 351/245, 237, 200, 205, 206, 211, 214, 217, 221; 606/4-6, 10, 11; 219/121.6, 121.61, 121.62**

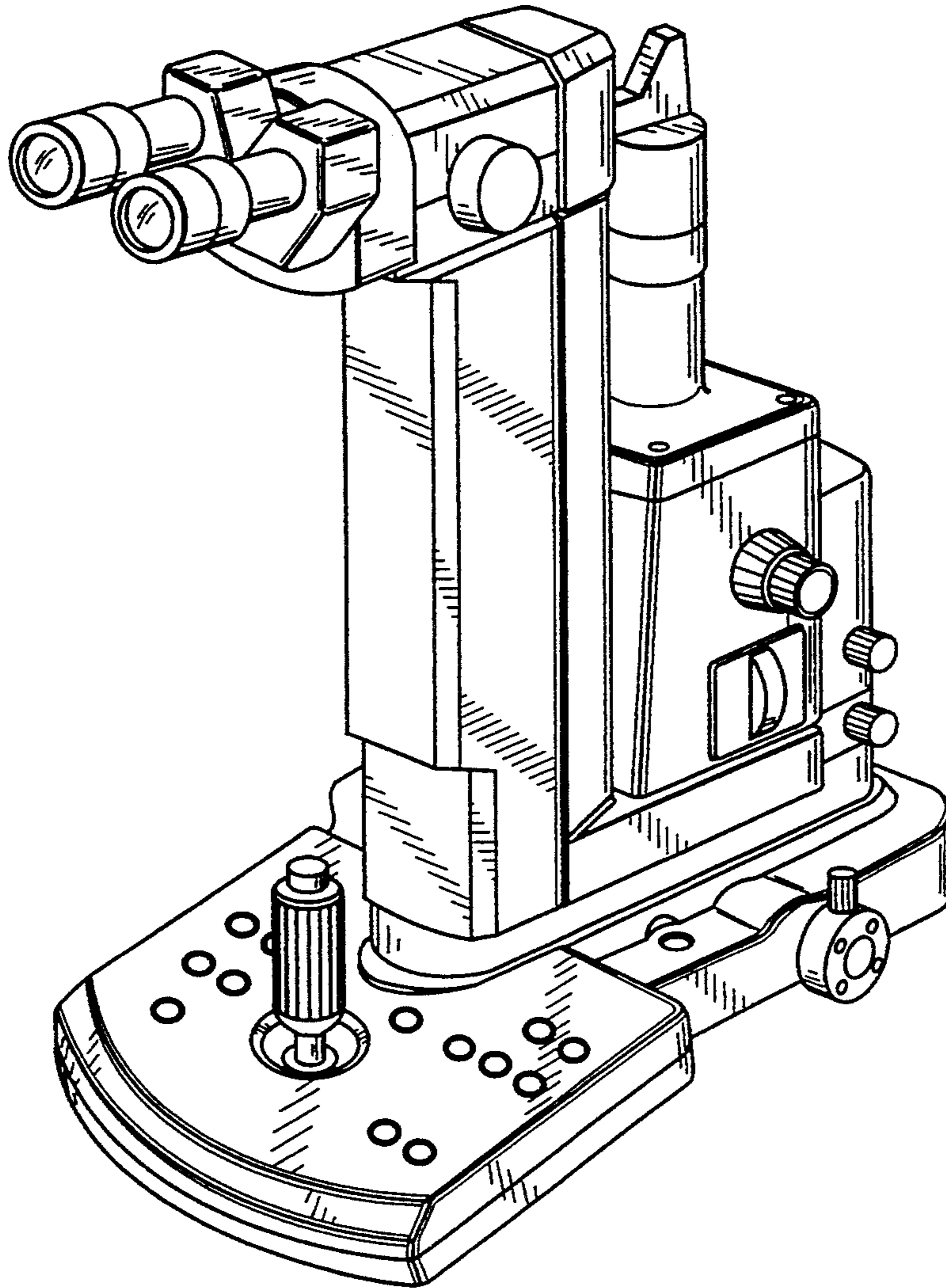
FIG. 3 is a reverse side view thereof;

FIG. 4 is a top plan view thereof;

FIG. 5 is a bottom plan view thereof;

FIG. 6 is an end view thereof; and,

FIG. 7 is a reverse end view thereof.



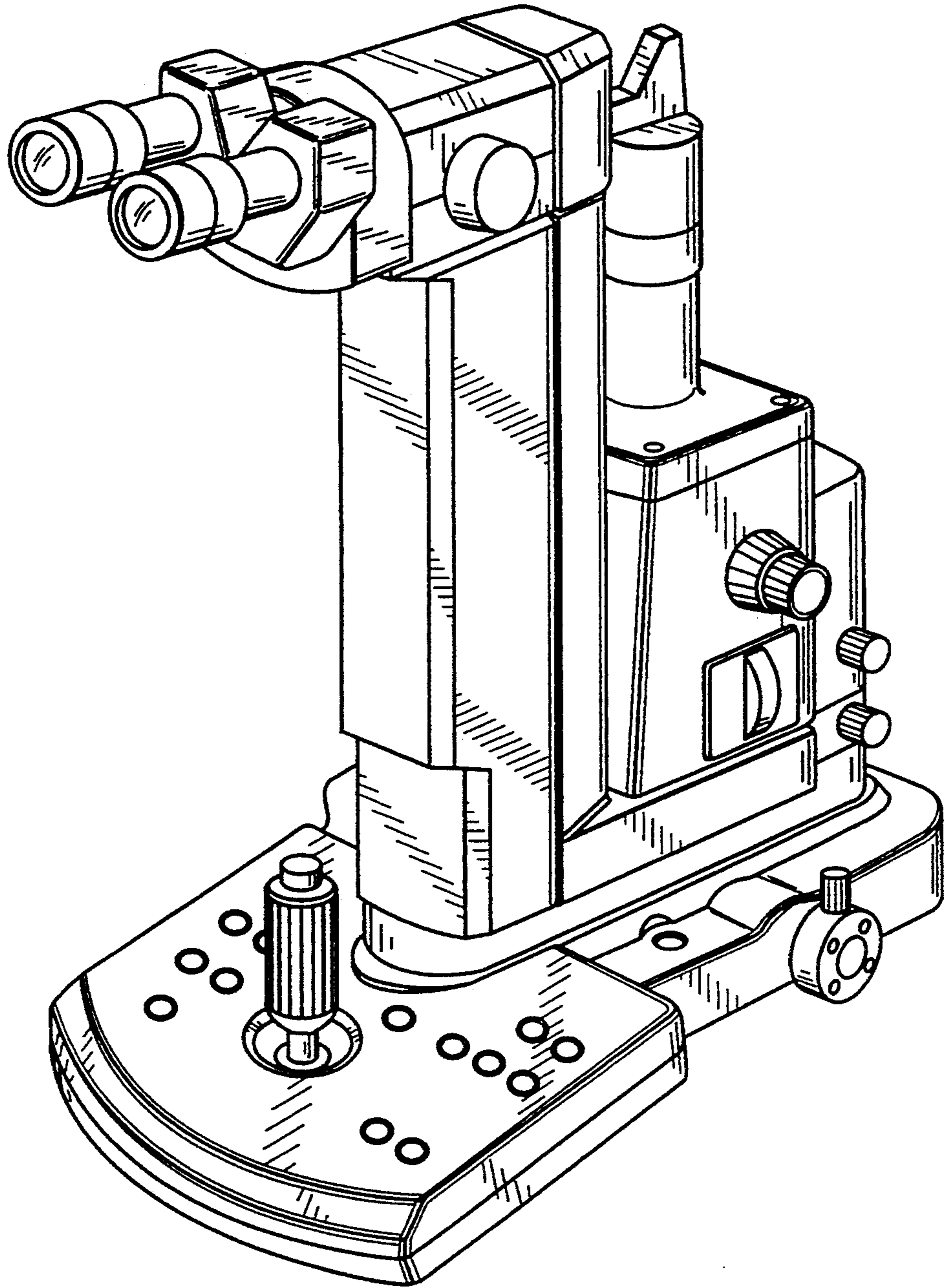


Fig. 1

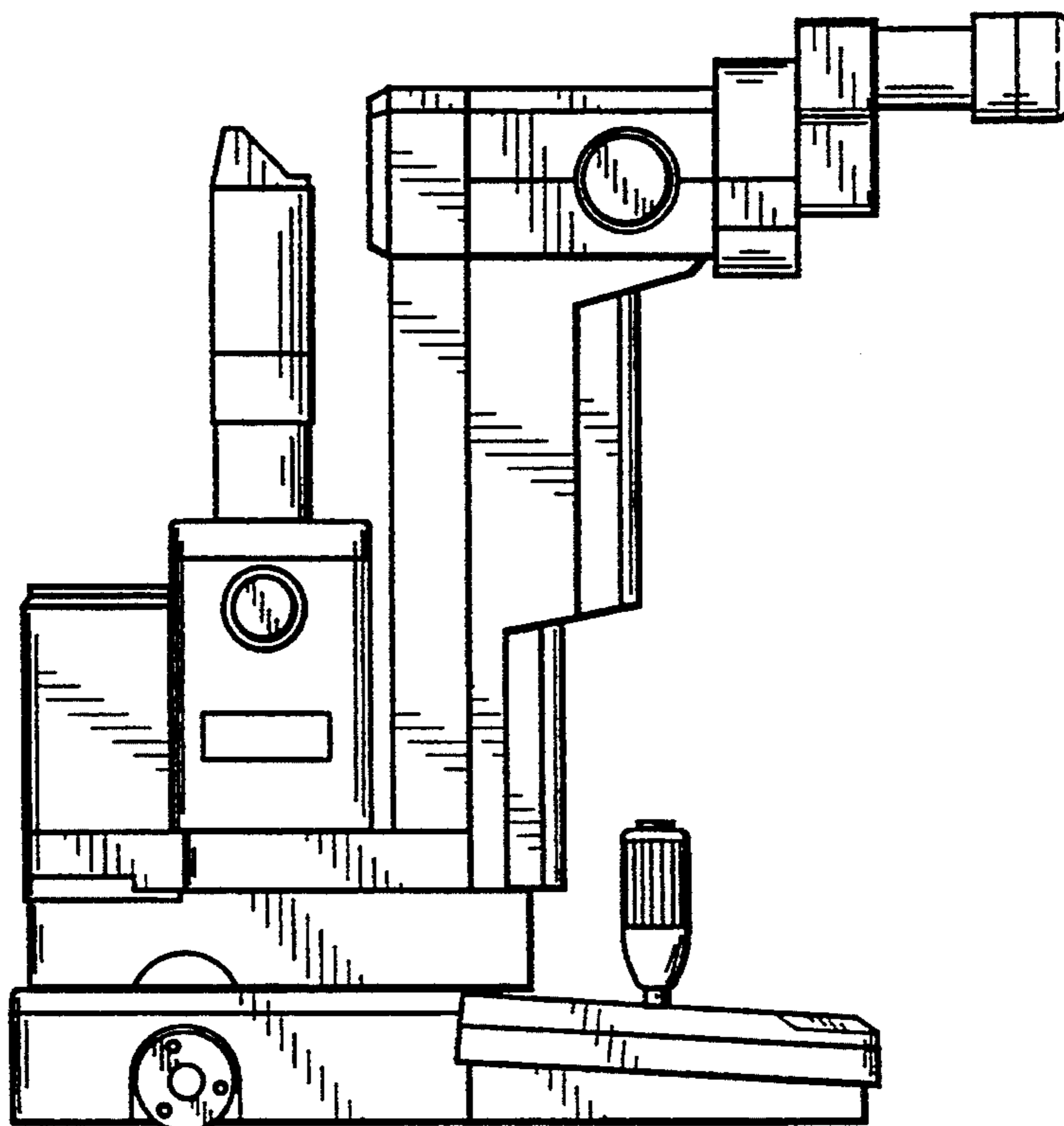


Fig. 2

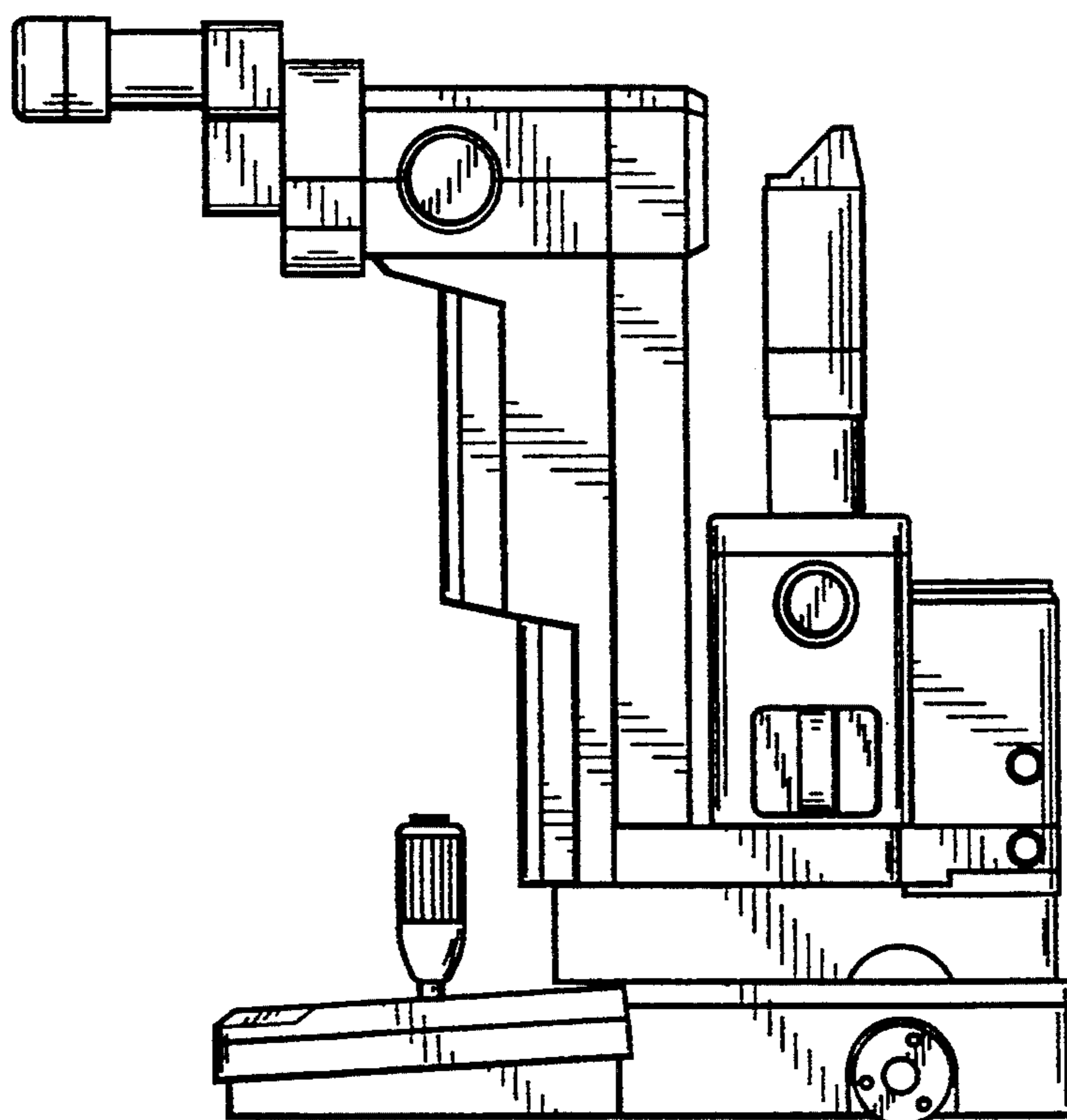


Fig. 3

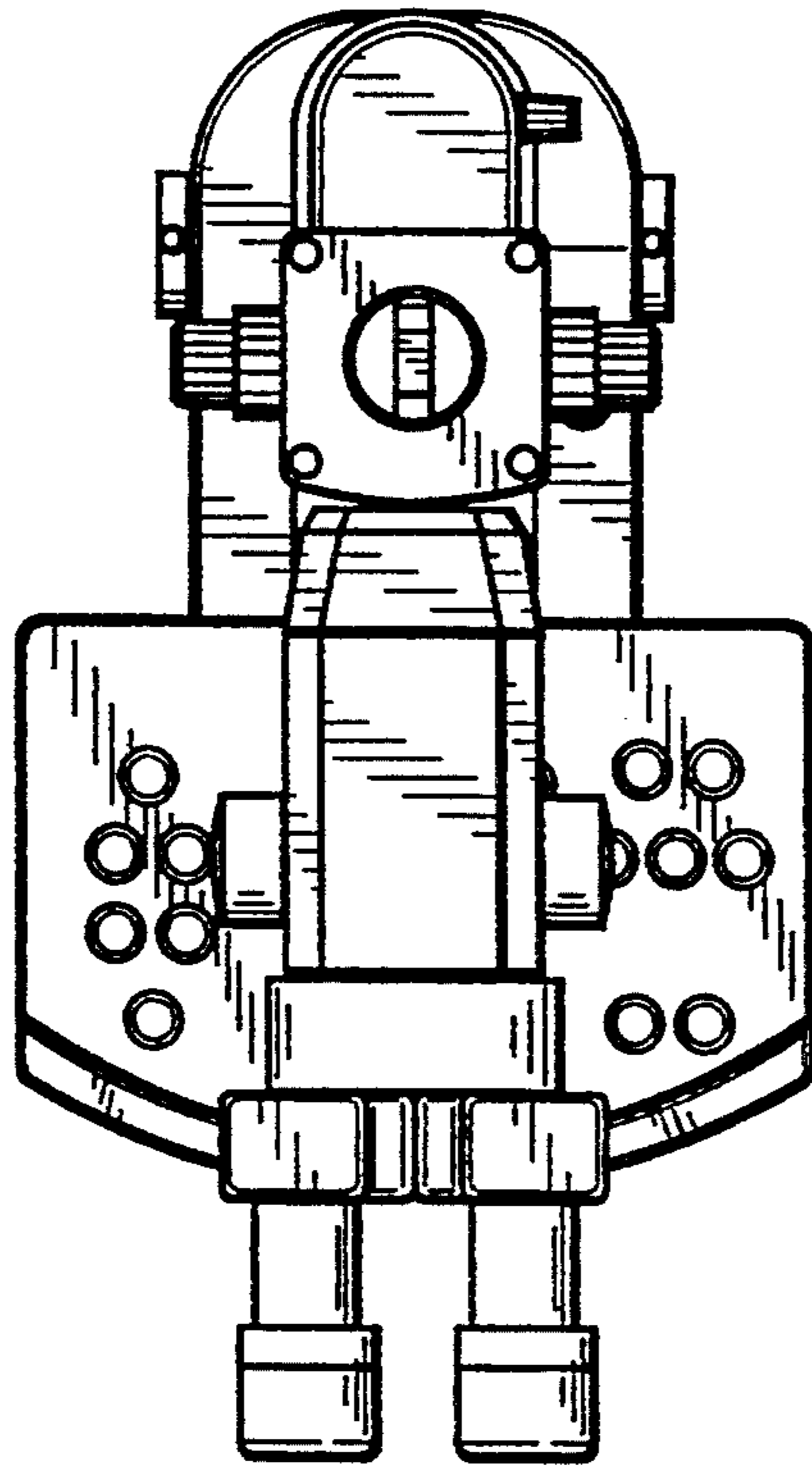


Fig. 4

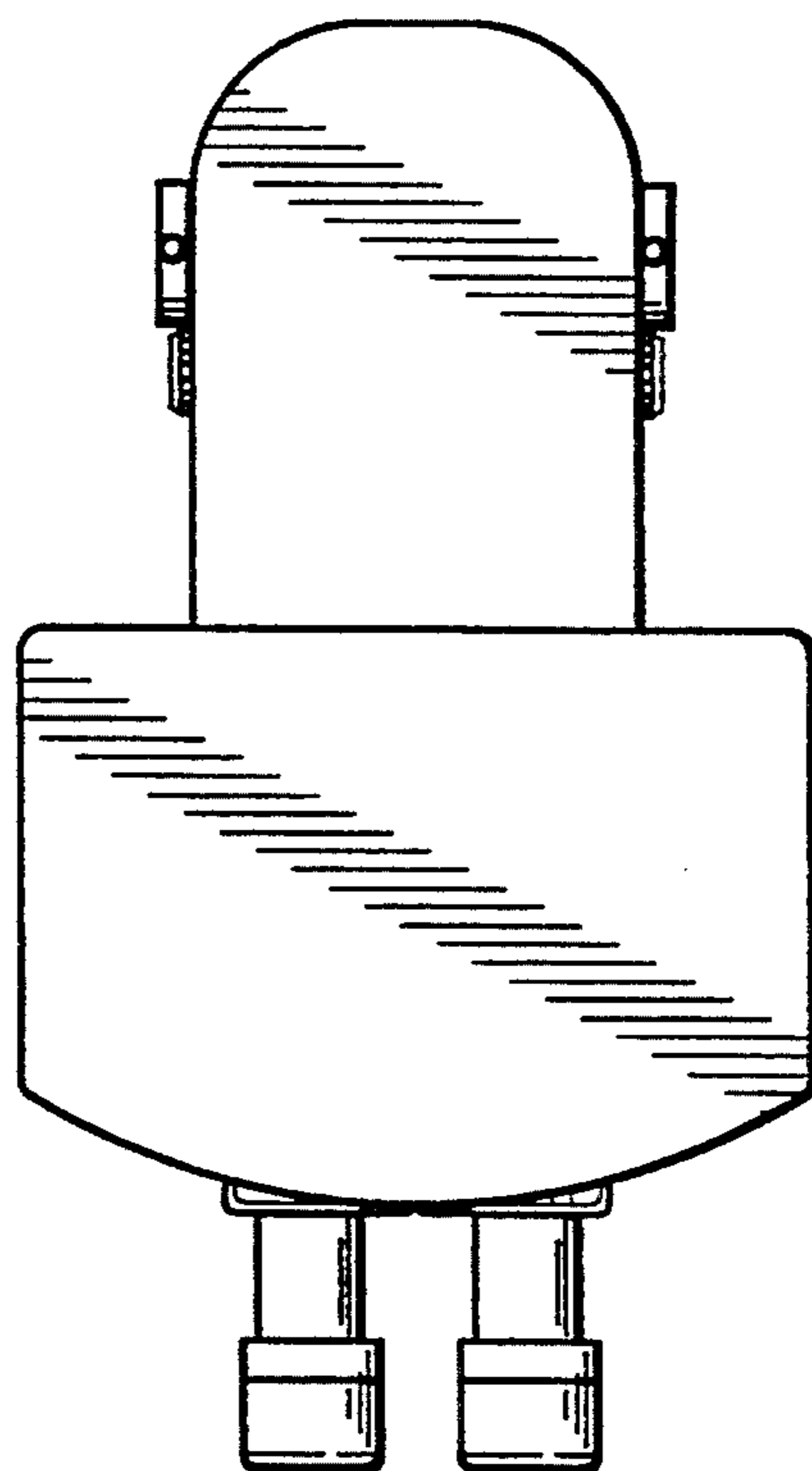


Fig. 5

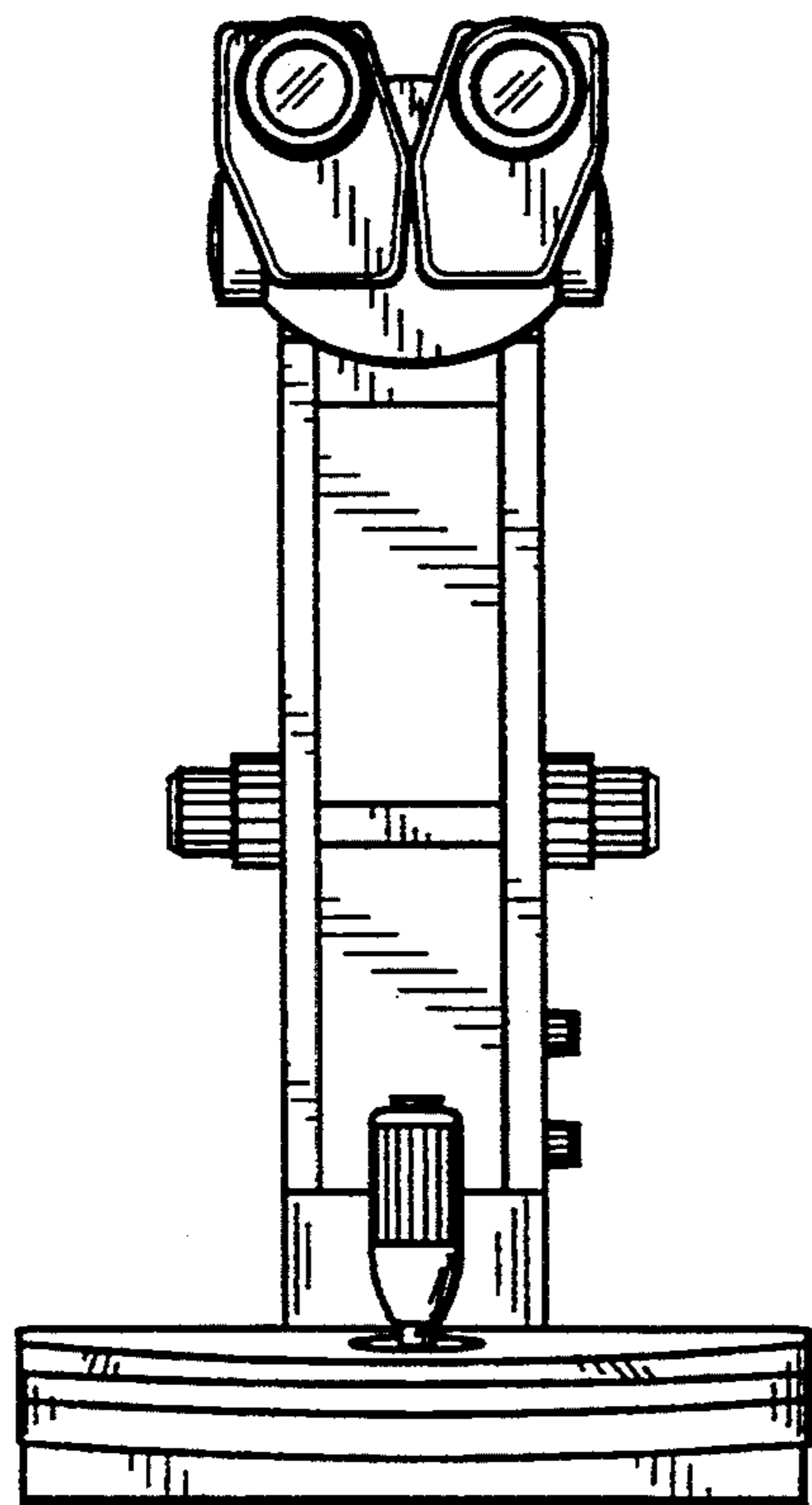


Fig. 6

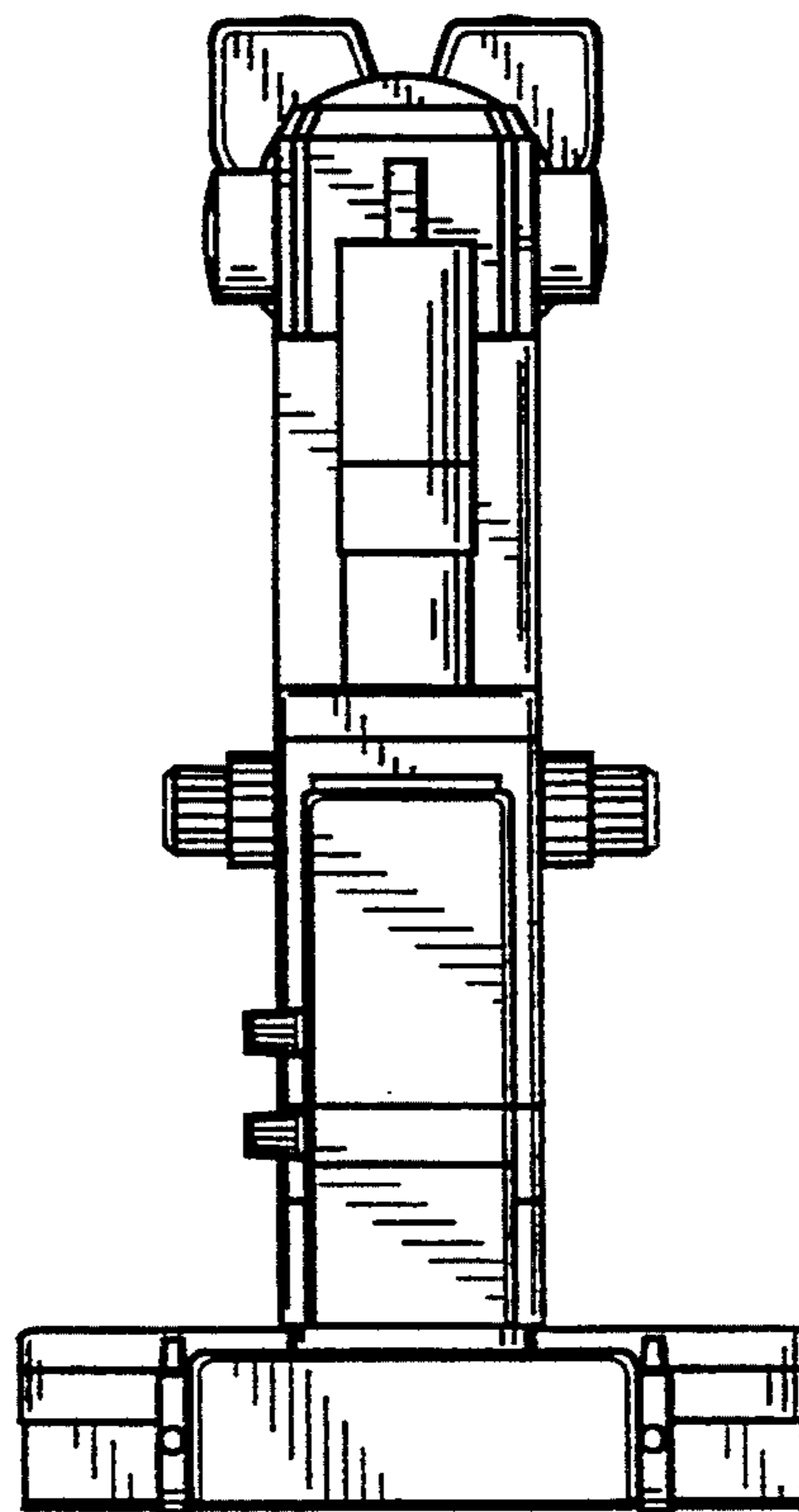


Fig. 7