



US00D360463S

# United States Patent [19]

Steiner et al.

[11] Patent Number: Des. 360,463

[45] Date of Patent: \*\* Jul. 18, 1995

[54] SURGICAL CONTRACTOR FOR THE CLOSURE OF SKIN DEFECTS

[76] Inventors: Mark T. Steiner, 214 Pemberwick Rd., Greenwich, Conn. 06831; Jeffrey A. Stein, 7 Ashwood Rd., Milford, Conn. 06460; Bernard Hirshowitz, 55 Margalit Street, Haifa, Israel, 34464

[\*\*] Term: 14 Years

[21] Appl. No.: 11,749

[22] Filed: Aug. 13, 1993

### Related U.S. Application Data

[63] Continuation-in-part of Ser. No. 3,751, Dec. 3, 1992, Pat. No. Des. 352,356.

[52] U.S. Cl. .... D24/145

[58] Field of Search ..... D24/145; 606/216, 218, 606/220, 225, 233

### References Cited

#### U.S. PATENT DOCUMENTS

268,632 12/1882 Danforth .  
408,080 7/1889 Carroll ..... 606/218 X  
583,455 6/1897 Bush .  
4,667,675 5/1987 Davis ..... 606/233

4,896,680 1/1990 Hirshowitz .  
5,263,971 11/1993 Hirshowitz et al. .... 606/216

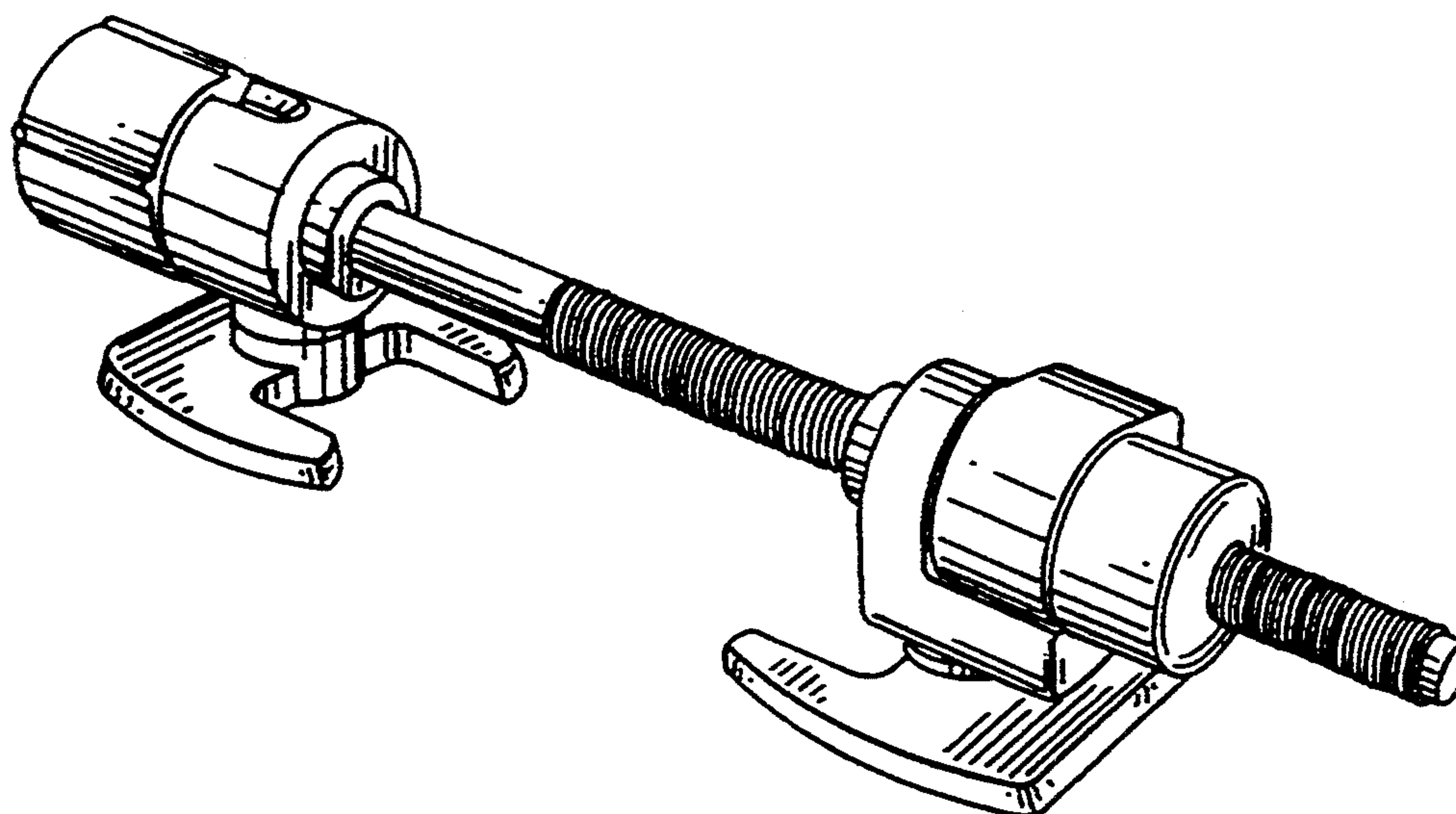
Primary Examiner—A. Hugo Word  
Assistant Examiner—I. Simmons  
Attorney, Agent, or Firm—Robert J. Koch

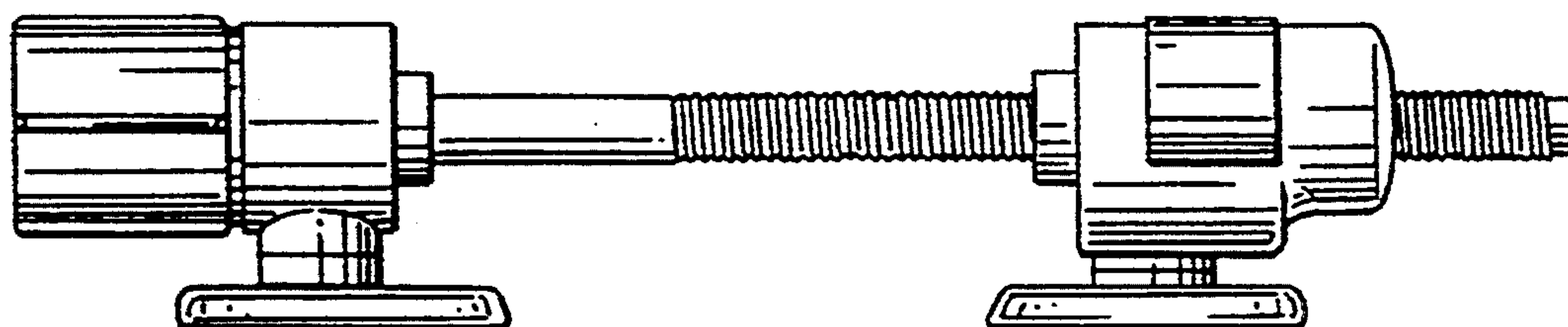
### [57] CLAIM

The ornamental design for a surgical contractor for the closure of skin defects, as shown and described.

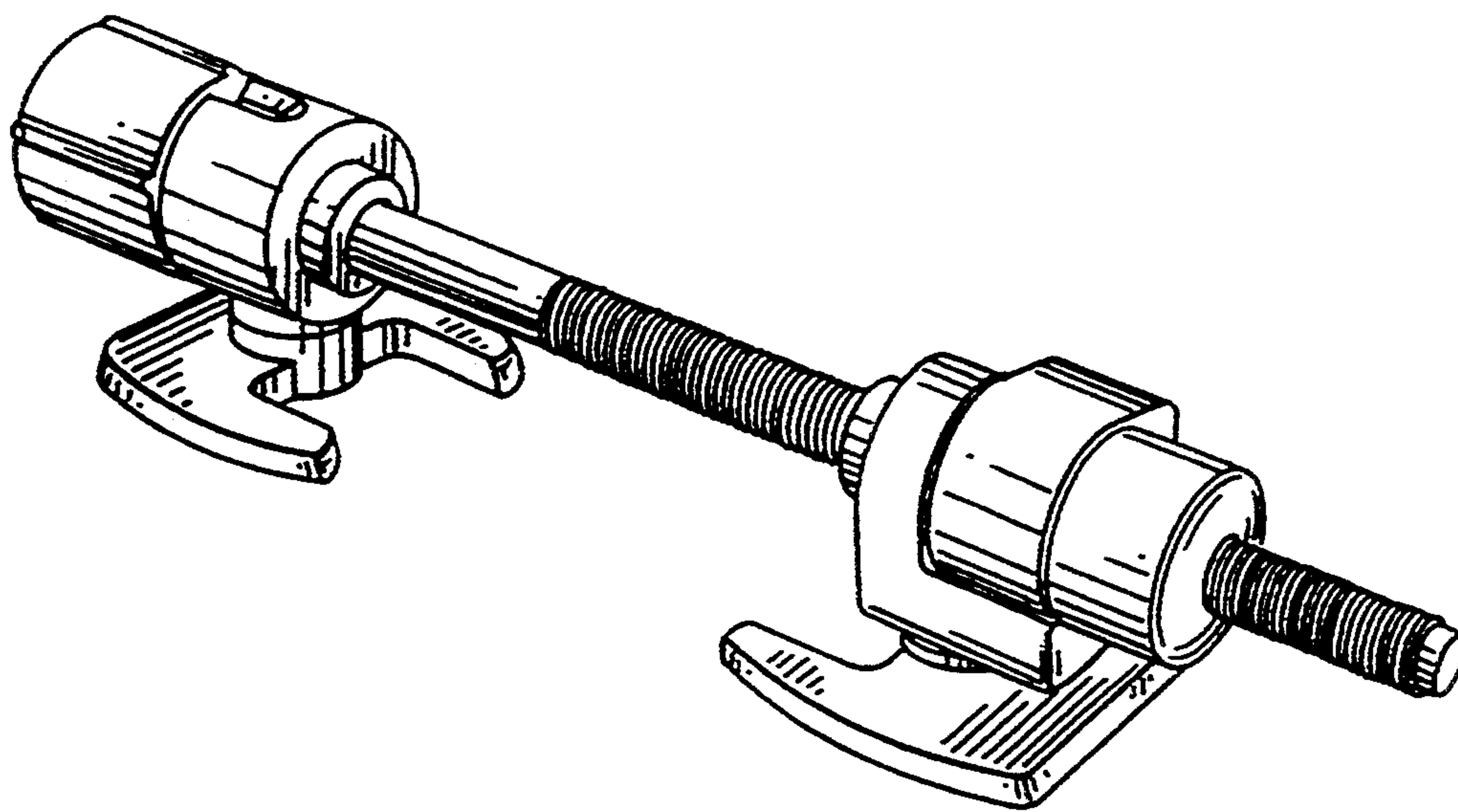
### DESCRIPTION

FIG. 1 is a side elevation view of the surgical contractor for the closure of skin defects design, the side opposing being a mirror image;  
FIG. 2 is a front perspective view of the surgical contractor for the closure of skin defects design;  
FIG. 3 is a front perspective view of the surgical contractor for the closure of skin defects design, from the side opposing FIG. 2;  
FIG. 4 is a rear perspective view of the surgical contractor for the closure of skin defects design;  
FIG. 5 is a rear perspective view of the surgical contractor for the closure of skin defects design, from the side opposing FIG. 4;  
FIG. 6 is a top plan view of the surgical contractor for the closure of skin defects design; and,  
FIG. 7 is a bottom plan view of the surgical contractor for the closure of skin defects design.

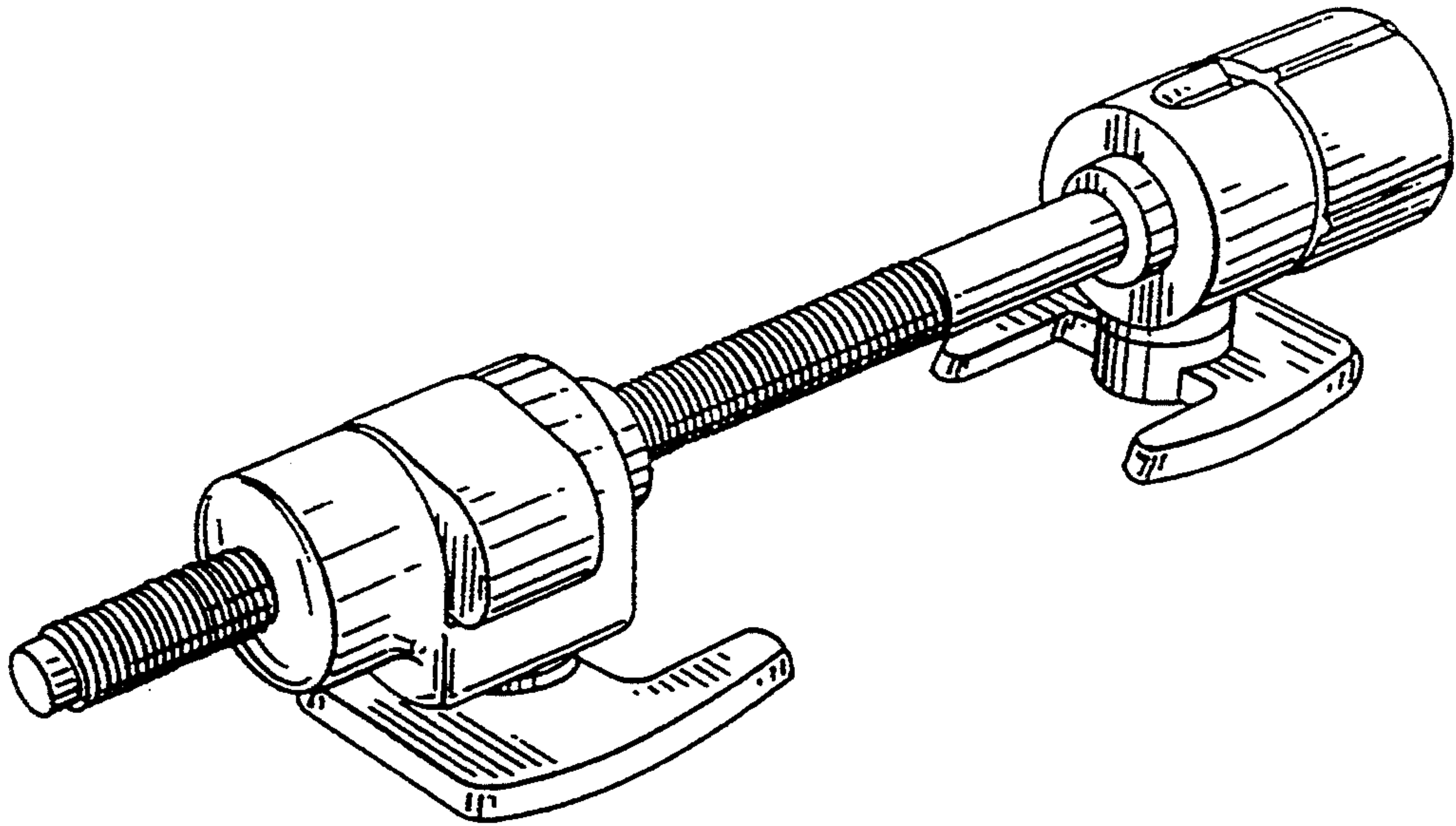




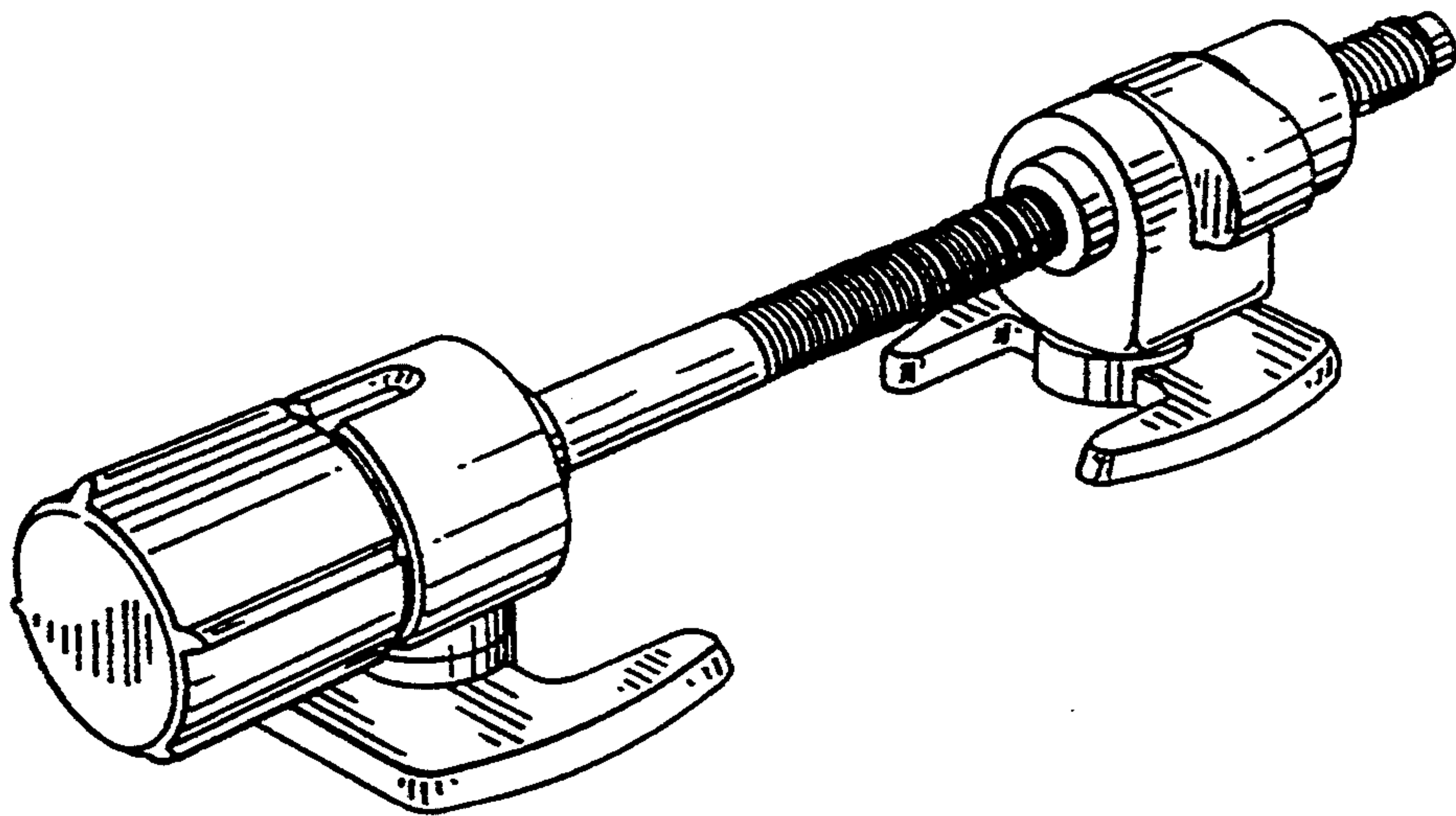
*Fig. 1*



*Fig. 2*

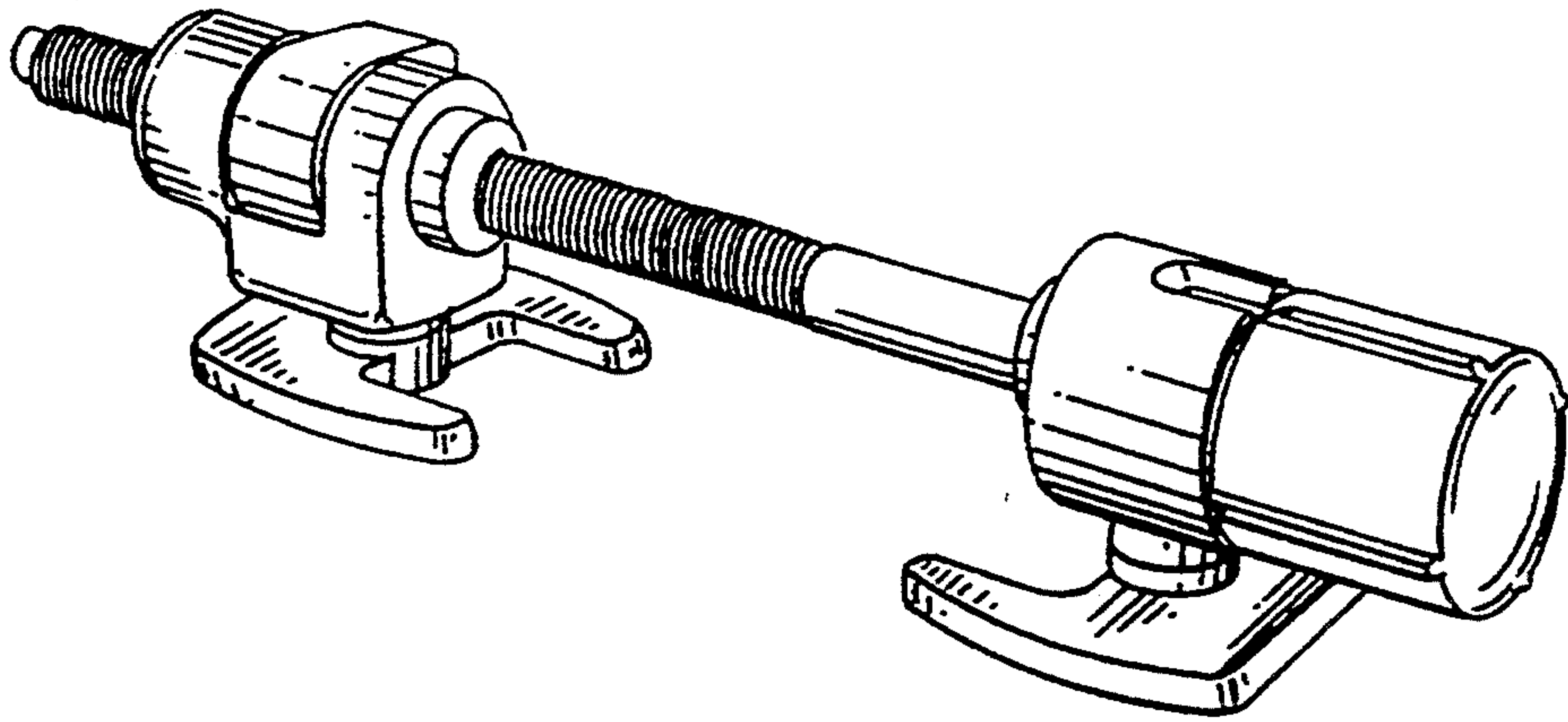


*Fig. 3*

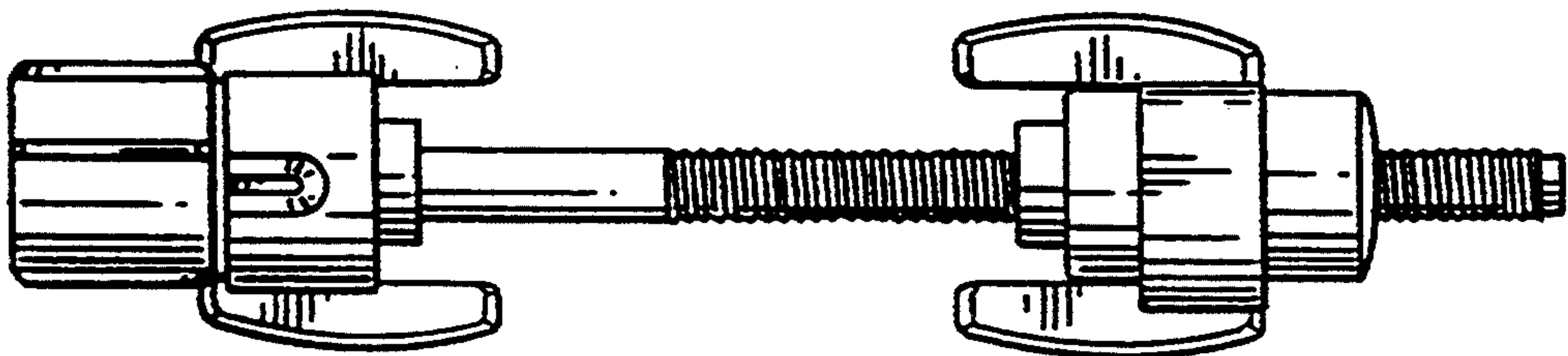


*Fig. 4*

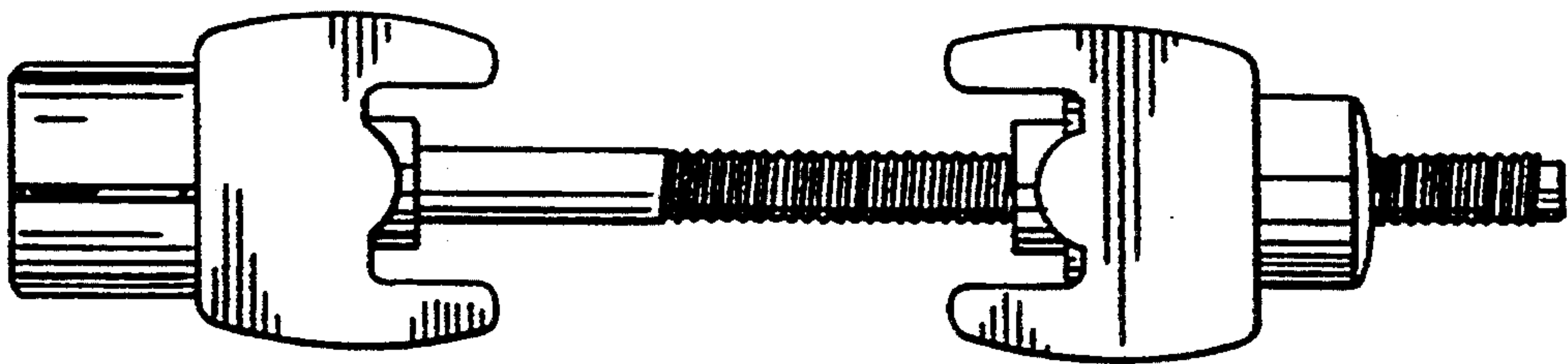




*Fig. 5*



*Fig. 6*



*Fig. 7*