



US00D360462S

United States Patent [19]

[11] Patent Number: **Des. 360,462**

Armbruster et al.

[45] Date of Patent: **** Jul. 18, 1995**

[54] **HAND-HELD POWER SYRINGE**

[75] Inventors: **Randy Armbruster, Rochester; Bruce J. Semmler, Spencer Port, both of N.Y.**

[73] Assignee: **Sterling Winthrop Inc., New York, N.Y.**

[**] Term: **14 Years**

[21] Appl. No.: **13,263**

[22] Filed: **Sep. 22, 1993**

[52] U.S. Cl. **D24/113**

[58] Field of Search **D24/112, 130, 114, 186, D24/113, 133, 111; D8/68; 604/154, 155, 141, 150, 151, 156, 136**

4,627,835	12/1986	Fenton, Jr. .	
4,695,271	9/1987	Goethel	604/154 X
4,749,109	6/1988	Kamen	604/155 X
4,916,588	4/1990	Chu .	
4,950,246	8/1990	Muller .	
5,085,643	2/1992	Larkin et al. .	
5,300,031	4/1994	Neen et al.	604/154

OTHER PUBLICATIONS

"A Shot in the Arm for Sales", Ziba Design, Business Week, Jun. 7, 1993, p. 64.

Primary Examiner—A. Hugo Word

Assistant Examiner—I. Simmons

[57] **CLAIM**

The ornamental design for a hand-held power syringe, as shown and described.

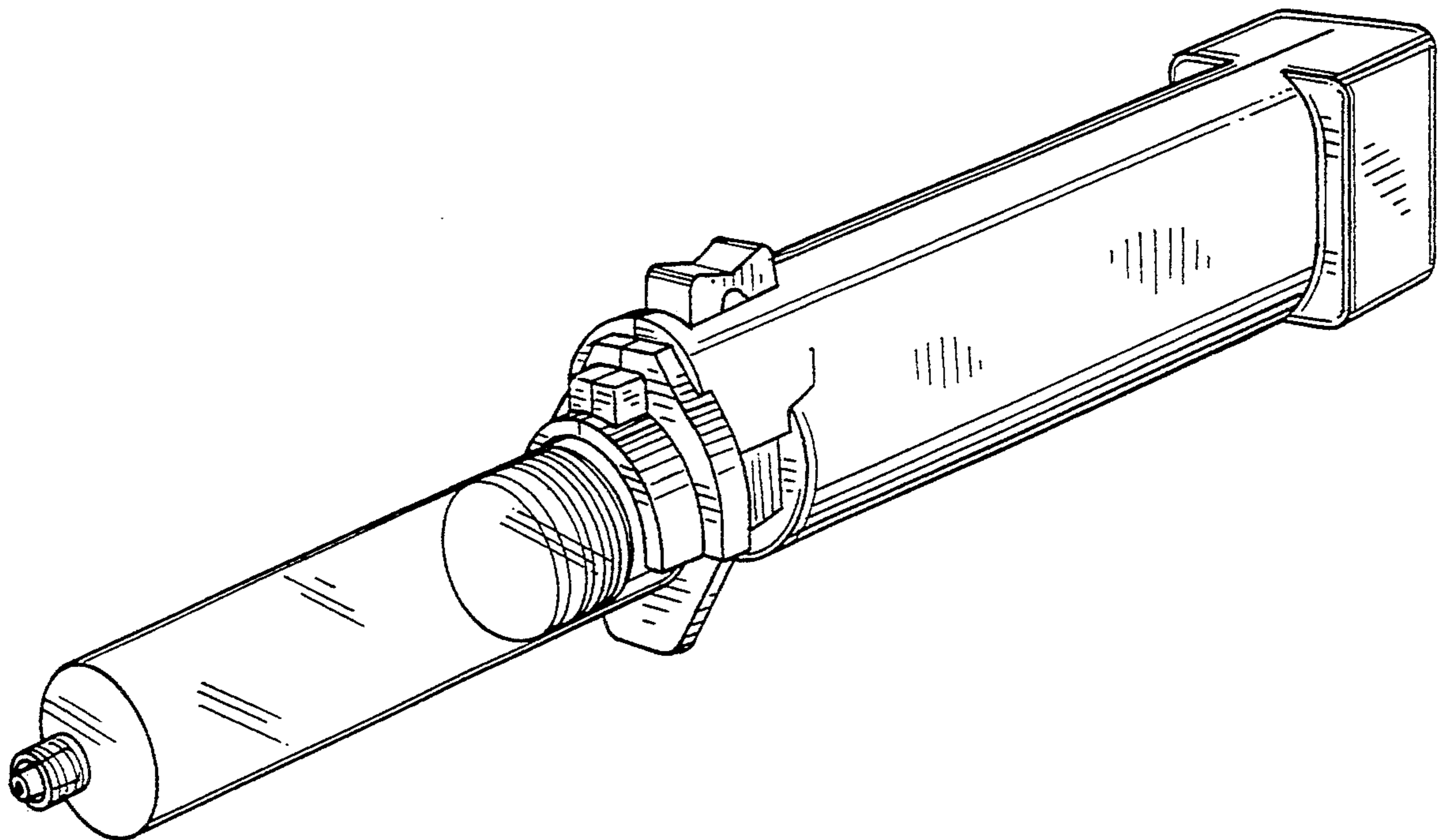
DESCRIPTION

FIG. 1 is a perspective view of a hand-held power syringe showing our new design;
 FIG. 2 is a front elevational view thereof;
 FIG. 3 is a rear elevational view thereof;
 FIG. 4 is a right-side elevational view thereof;
 FIG. 5 is a left-side elevational view thereof;
 FIG. 6 is a top plan view thereof; and,
 FIG. 7 is a bottom plan view thereof.

[56] **References Cited**

U.S. PATENT DOCUMENTS

D. 303,010	8/1989	Jabbusch	D24/114
D. 308,935	7/1990	Leatherman .	
D. 330,763	11/1992	Penny et al.	D24/114 X
D. 331,107	11/1992	Kanner et al.	D24/113
D. 341,760	11/1993	Armbruster et al.	D8/68
3,993,065	11/1976	Szabo et al.	604/154
4,282,562	8/1981	Marino .	



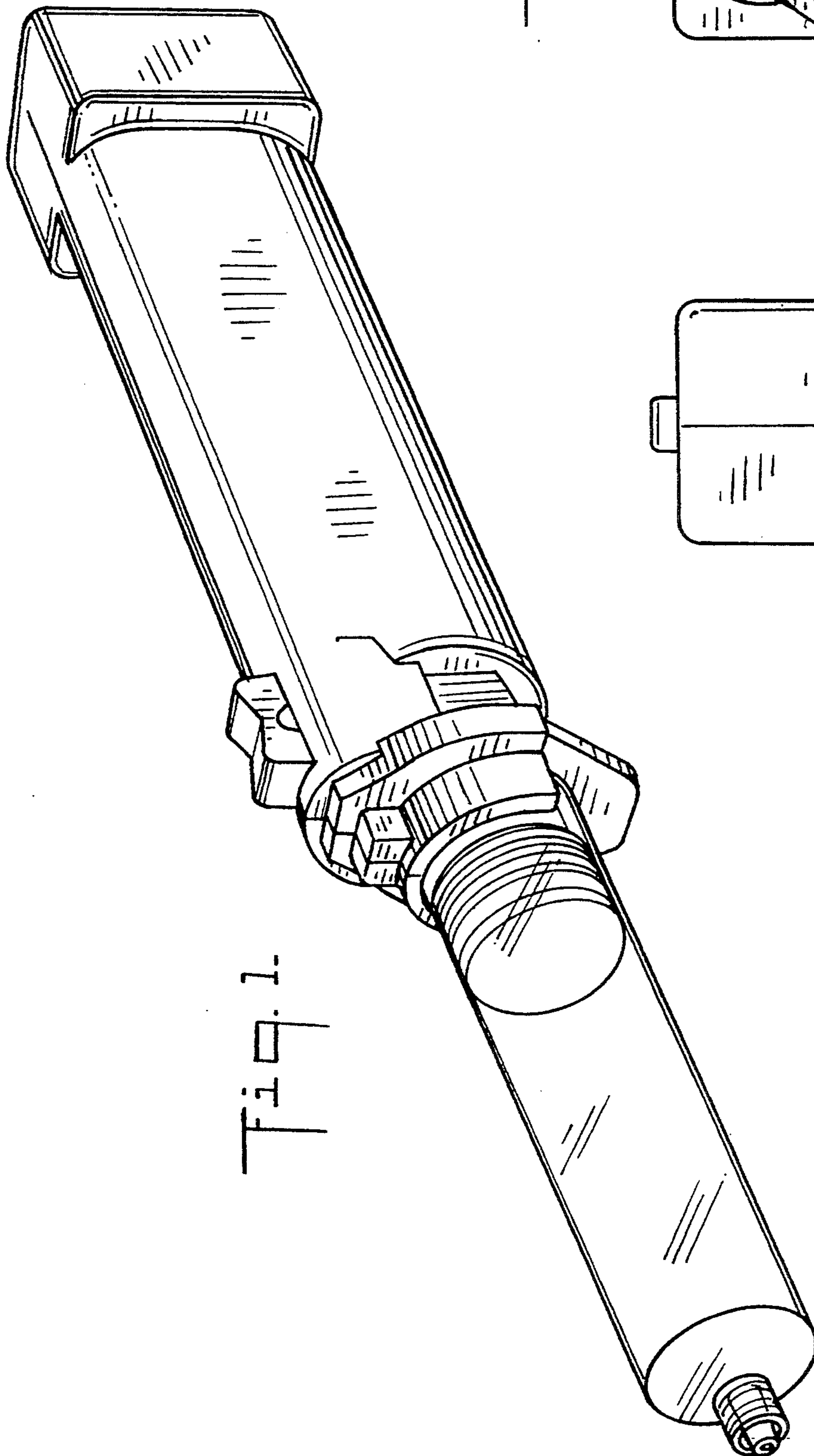


Fig. 1.

Fig. 2.

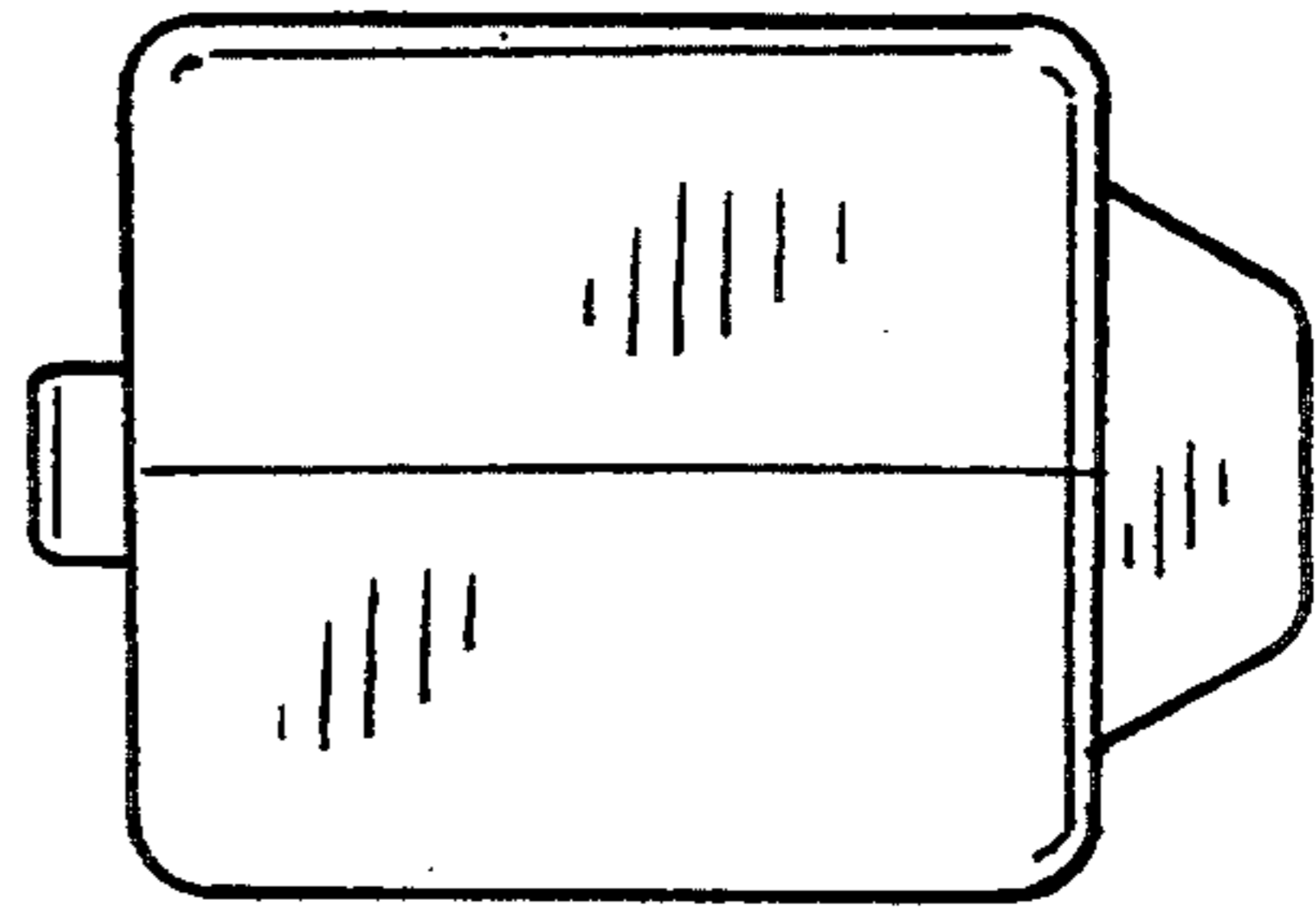
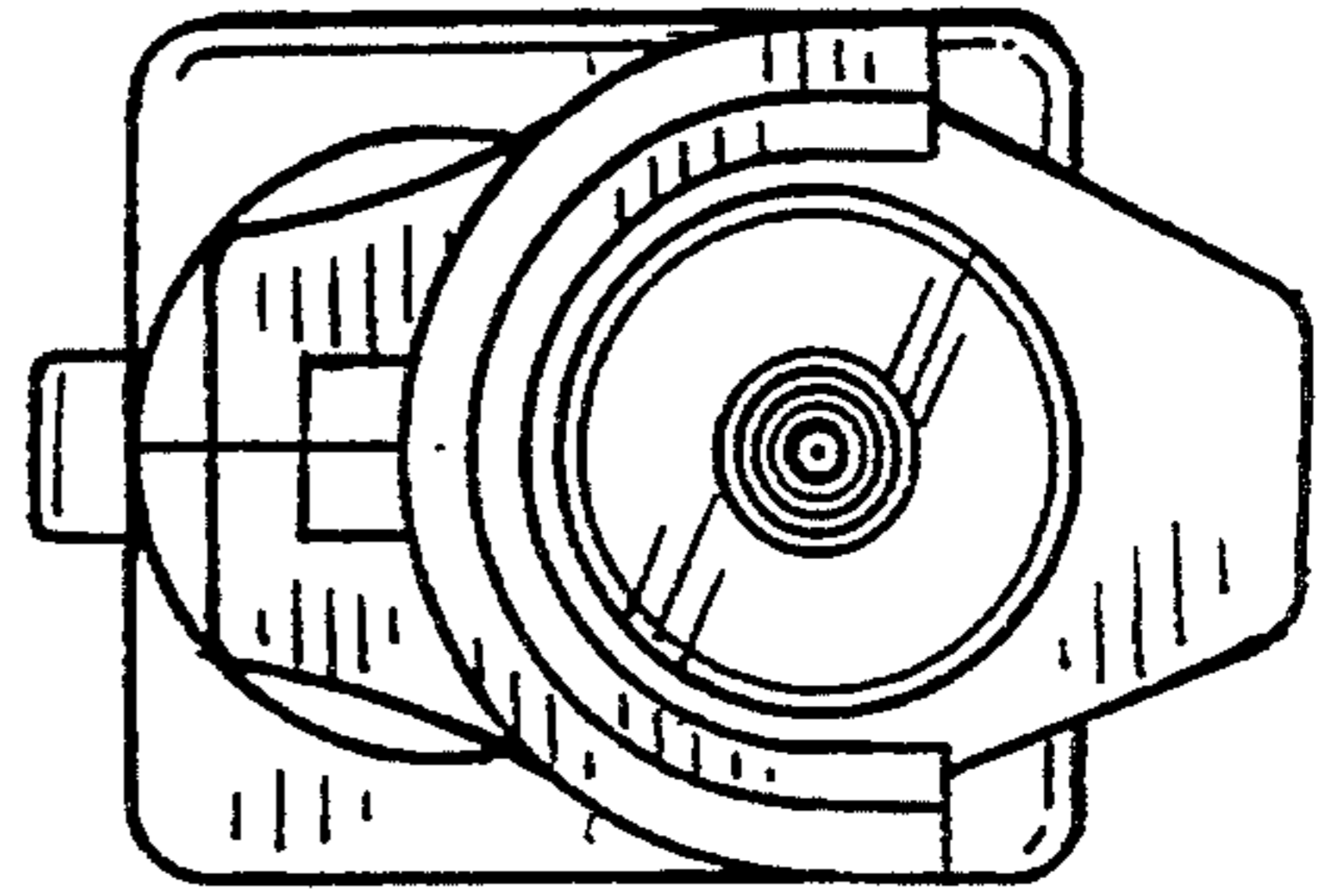


Fig. 3.

Fig. 4.

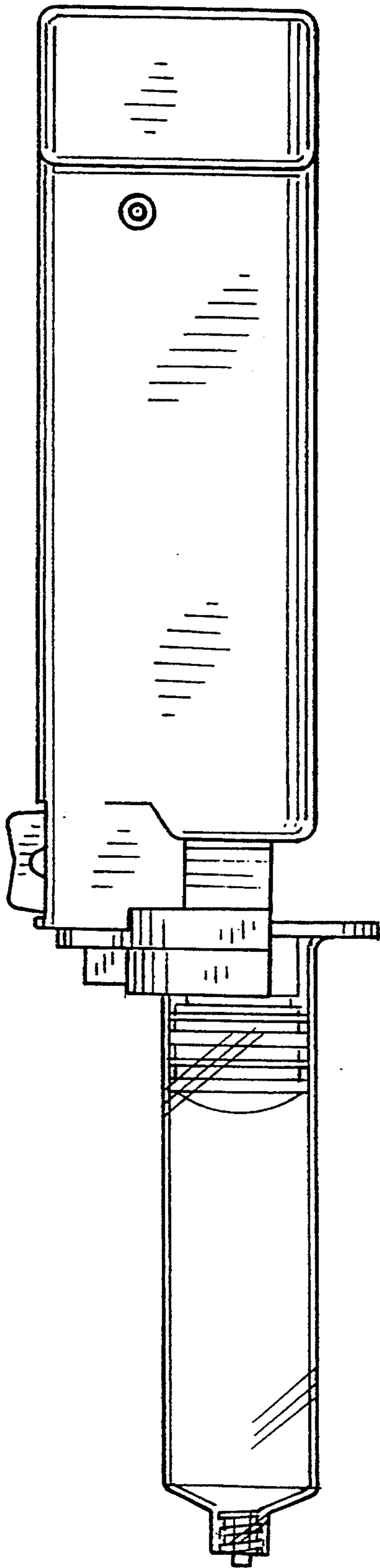


Fig. 5.

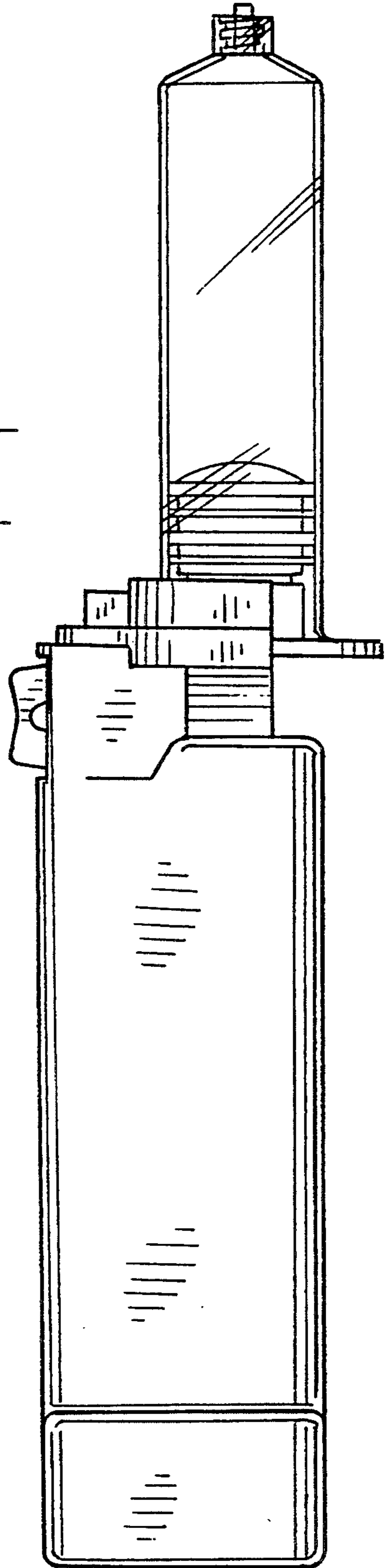


Fig. 6.

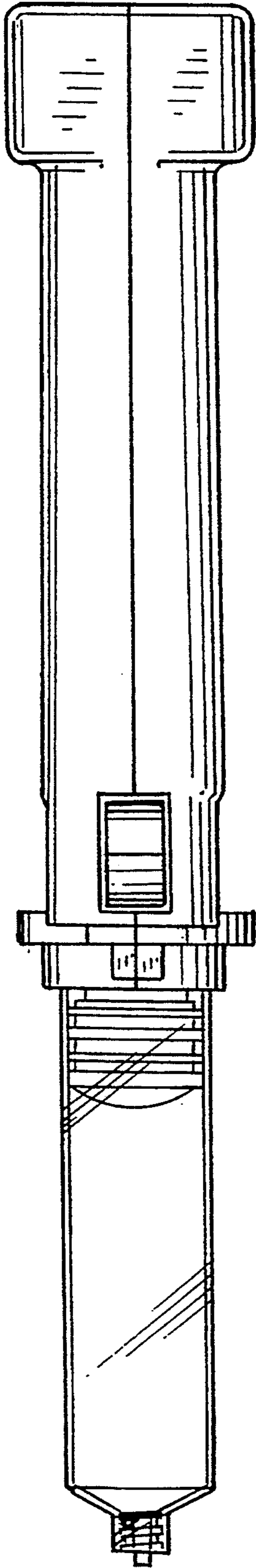


Fig. 7.

