



US00D360459S

United States Patent [19]

[11] Patent Number: **Des. 360,459**

Tschaeppler

[45] Date of Patent: **** Jul. 18, 1995**

[54] **BREATHER TO CLEAN AND DEHUMIDIFY AIR FROM POWER TRANSFORMERS**

[56] **References Cited**

U.S. PATENT DOCUMENTS

3,559,382 2/1971 Jaggard et al. 96/151

[75] Inventor: **Roger Tschaeppler, Québec, Canada**

Primary Examiner—Lisa P. Lichtenstein
Attorney, Agent, or Firm—Swabey Ogilvy Renault

[73] Assignee: **SQM Incorporated, Quebec, Canada**

[57] **CLAIM**

[**] Term: **14 Years**

The ornamental design for a breather to clean and dehumidify air from power transformers, as shown and described.

[21] Appl. No.: **5,269**

DESCRIPTION

[22] Filed: **Mar. 1, 1993**

FIG. 1 is a perspective view of the breather to clean and dehumidify air from power transformers showing my new design;

[30] **Foreign Application Priority Data**

FIG. 2 is a front elevational view thereof;

Oct. 6, 1992 [CA] Canada 0610921

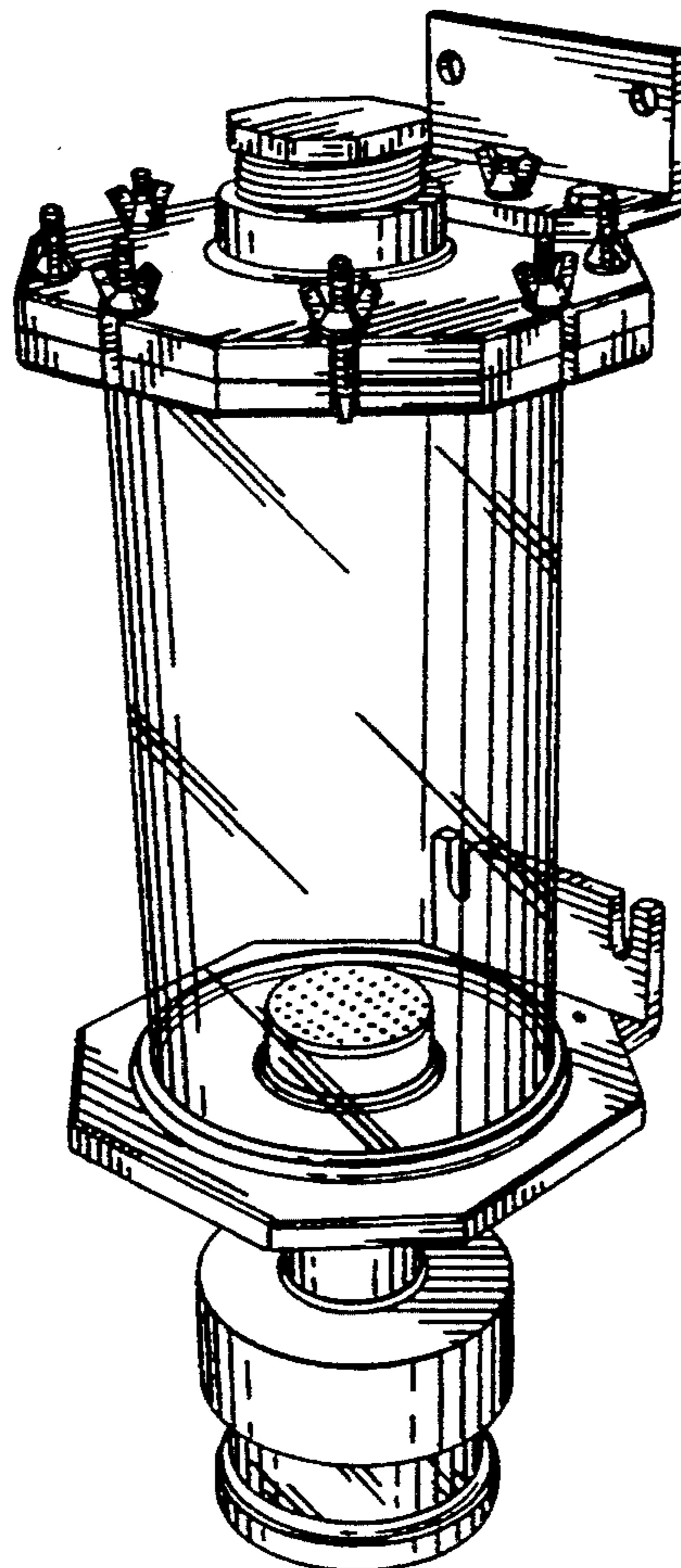
FIG. 3 is a top plan view thereof;

[52] U.S. Cl. **D23/359; D23/364**

FIG. 4 is a side elevational view thereof, the opposite view being identical;

[58] Field of Search **D23/355-364; 96/151, 108**

FIG. 5 is a rear elevational view thereof; and, FIG. 6 is a bottom plan view thereof.



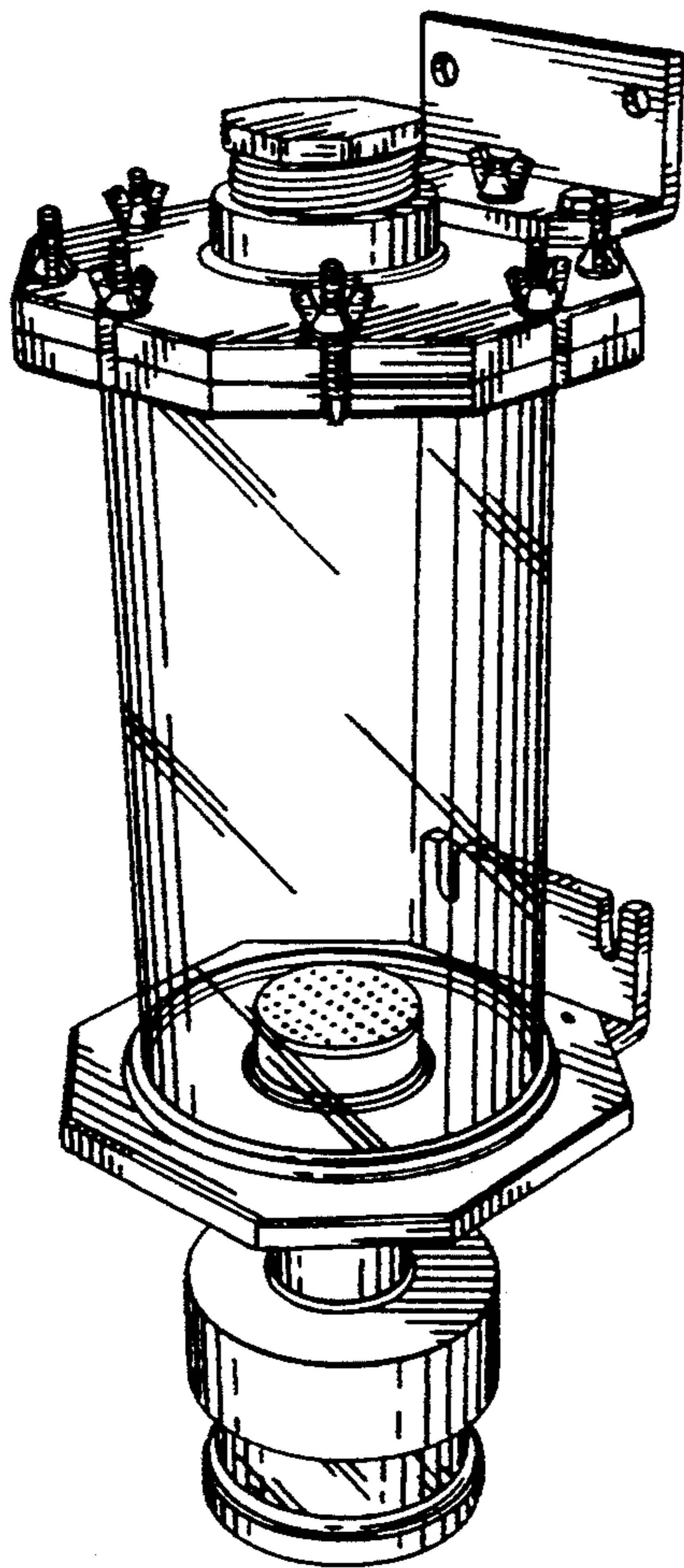


FIG. 1

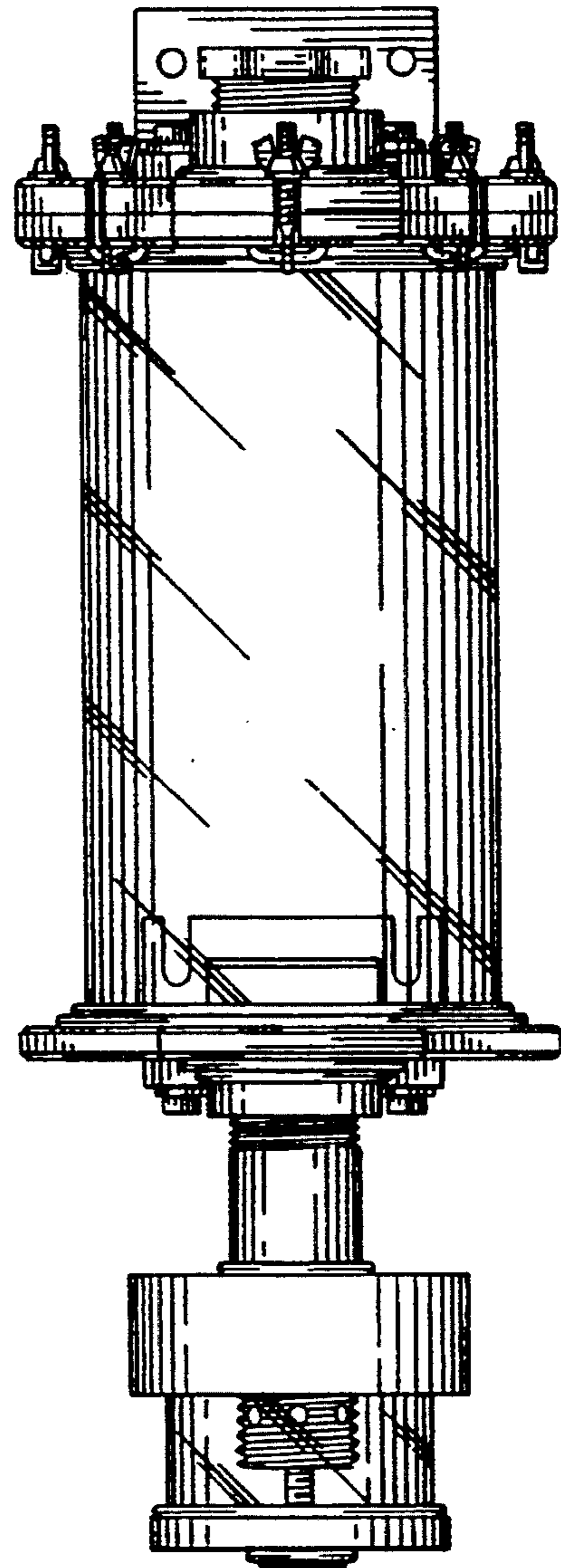


FIG. 2

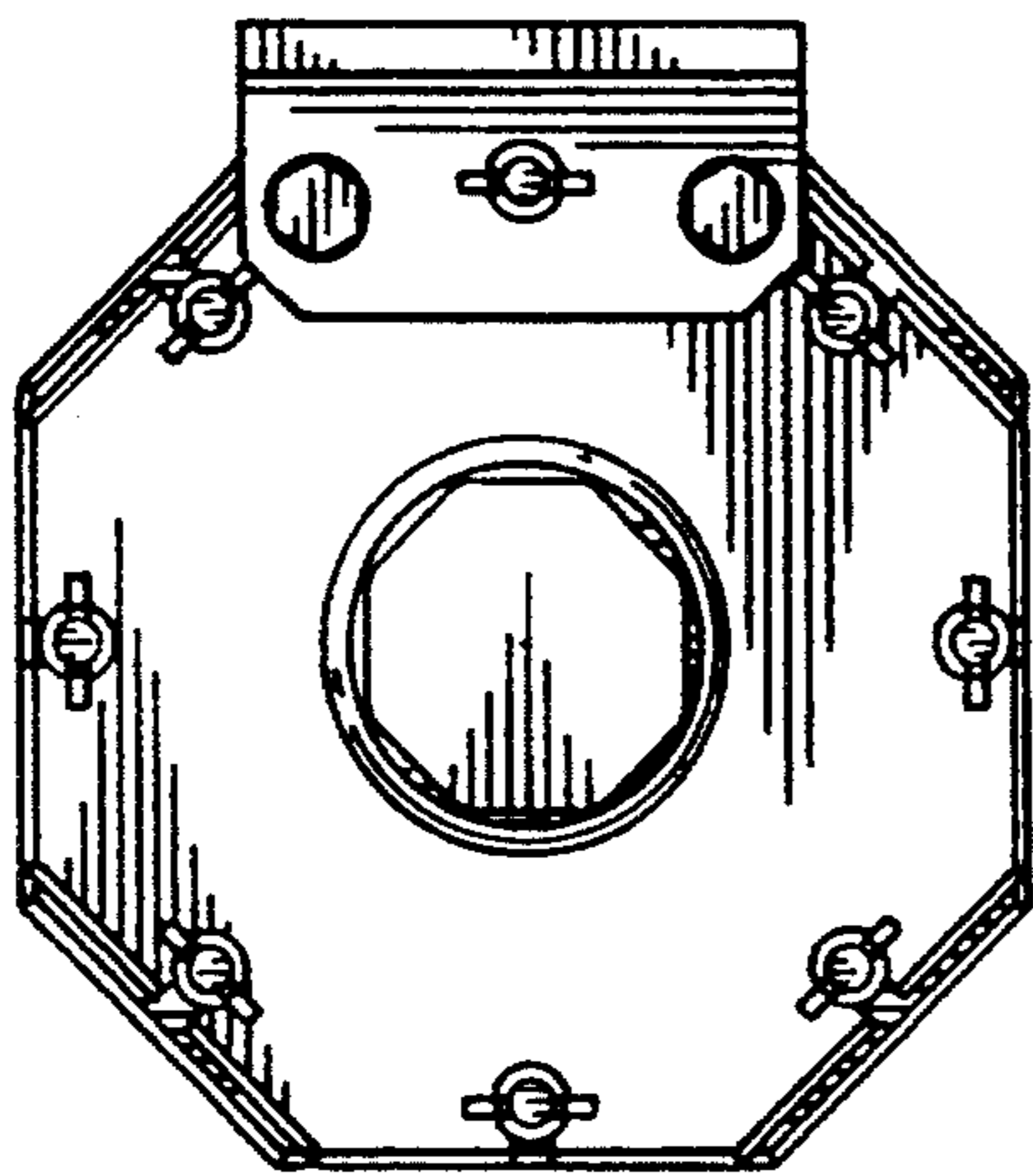


FIG. 3

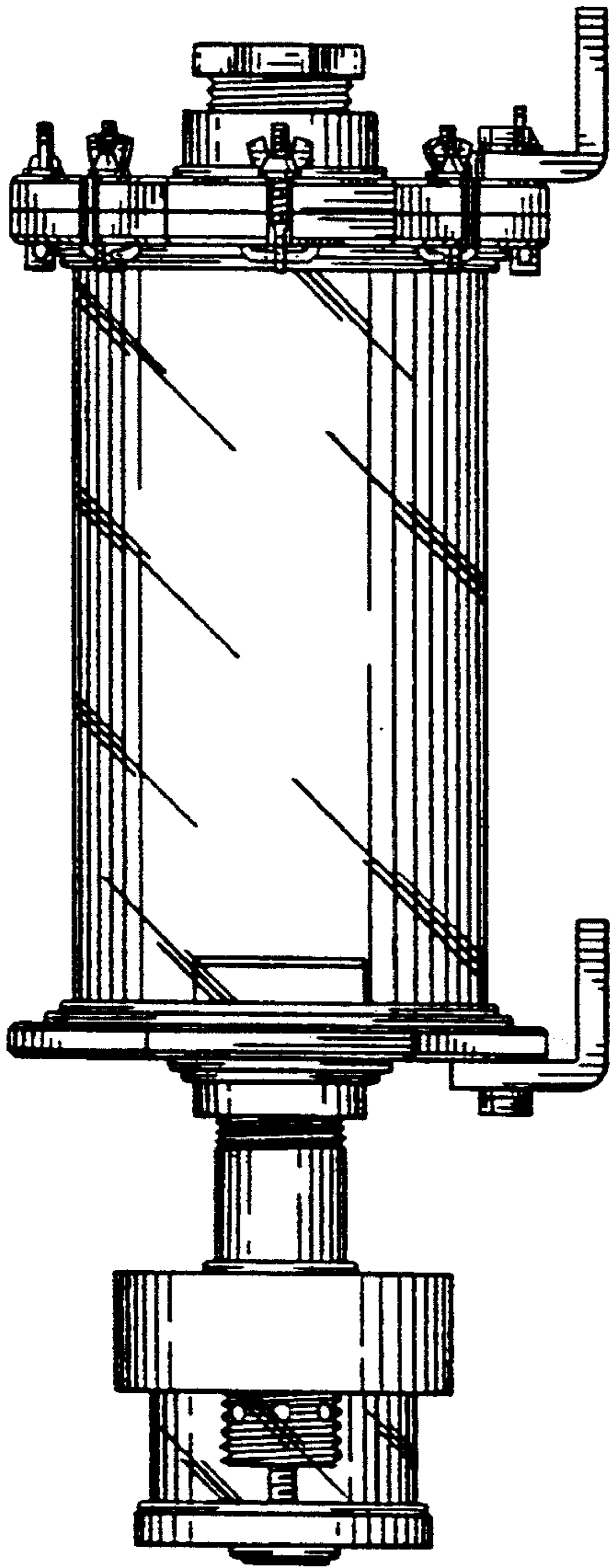


FIG. 4

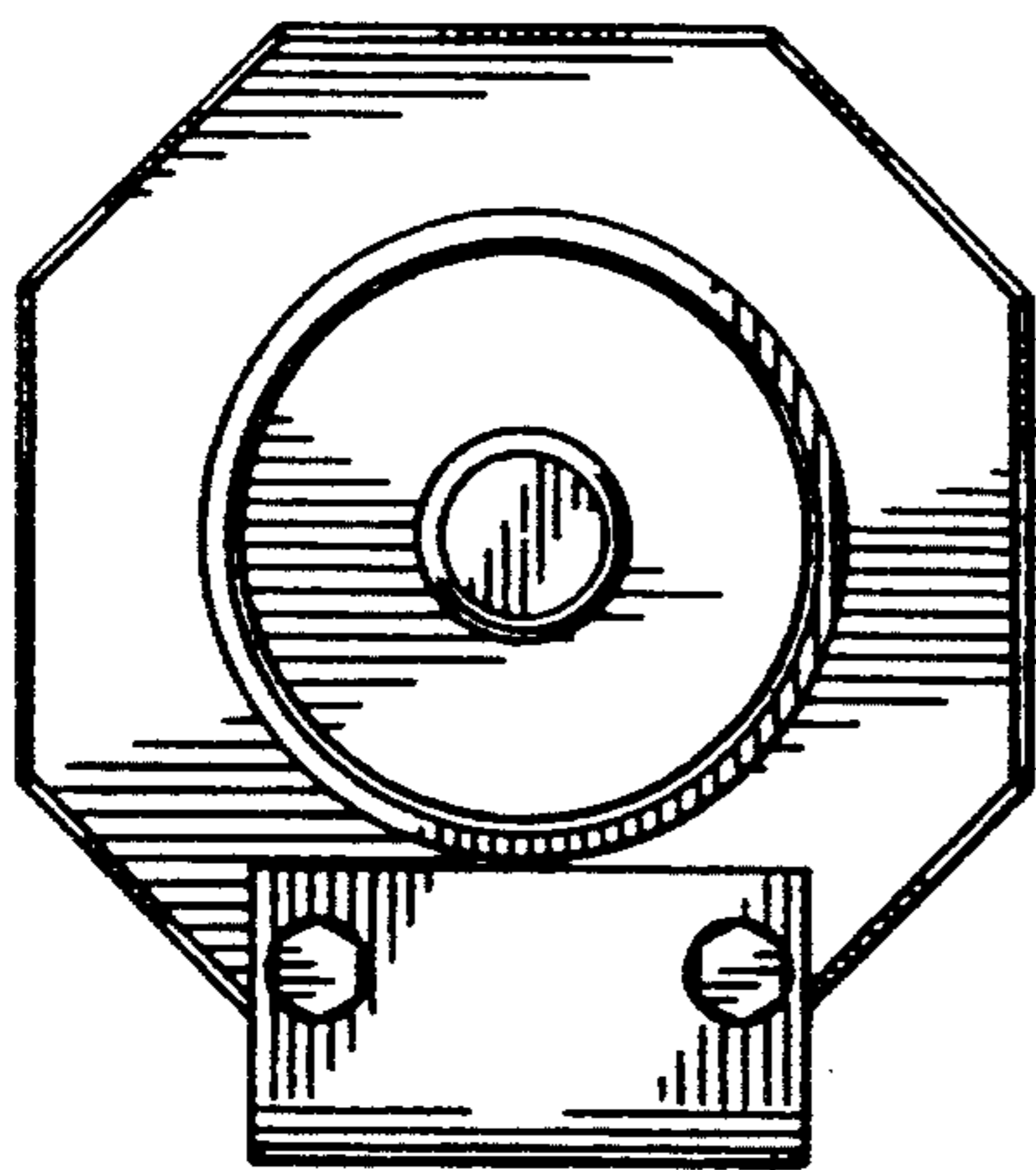


FIG. 6

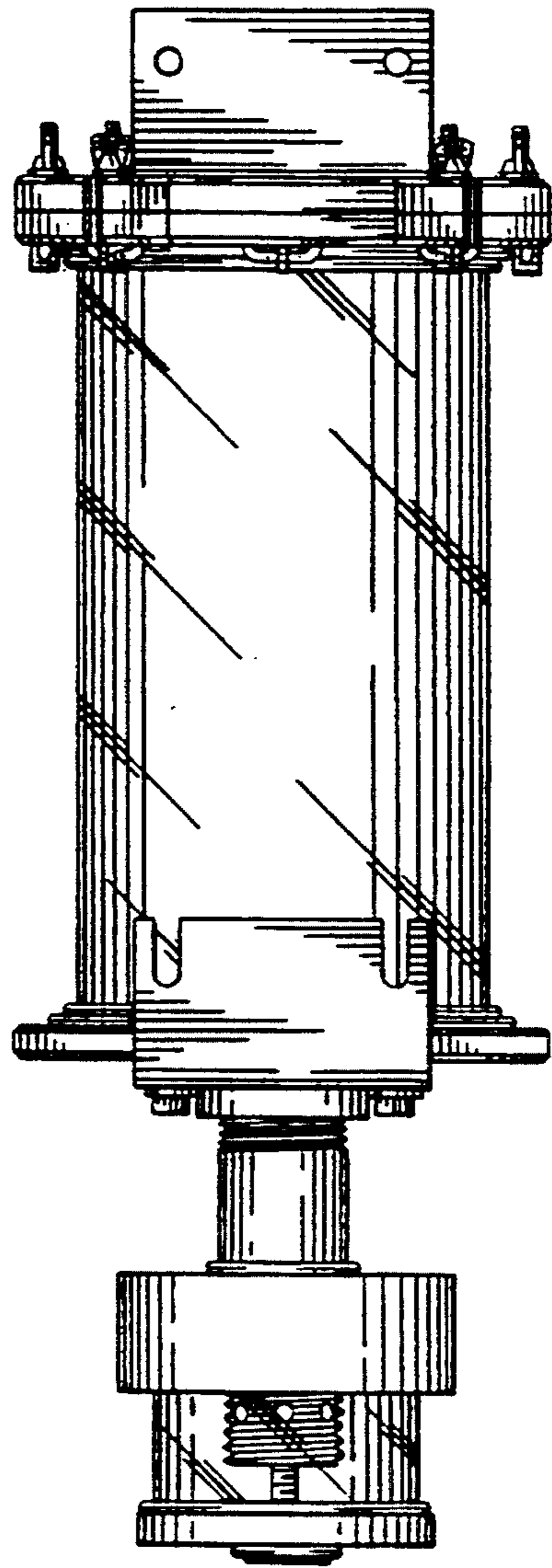


FIG. 5