



US00D360455S

United States Patent [19]

Dentsbier

[11] Patent Number: Des. 360,455

[45] Date of Patent: ** Jul. 18, 1995

- [54] FISHING ROD HOLDER
- [76] Inventor: William M. Dentsbier, 716 Teson, St. Louis, Mo. 63042
- [**] Term: 14 Years
- [21] Appl. No.: 16,996
- [22] Filed: Jan. 3, 1994
- [52] U.S. Cl. D22/147; D12/317
- [58] Field of Search D22/147; D8/380, 394, D8/395, 382, 396; D6/552; D12/317; 211/708; 43/21.2, 57.1, 54.1

3,832,796 9/1974 Cardwell et al. 43/54.1

OTHER PUBLICATIONS

E&B Marine Supply, Inc., p. 60, Rail Clamps Model #HR-100.

Primary Examiner—Doris V. Coles
Attorney, Agent, or Firm—Kalish & Gilster

[57] CLAIM

The ornamental design for a fishing rod holder, as described and shown.

DESCRIPTION

FIG. 1 is a perspective view of a fishing rod holder constructed in accordance with and embodying my new design;

FIG. 2 is a side elevational view thereof;

FIG. 3 is a bottom plan view thereof;

FIG. 4 is a top plan view thereof;

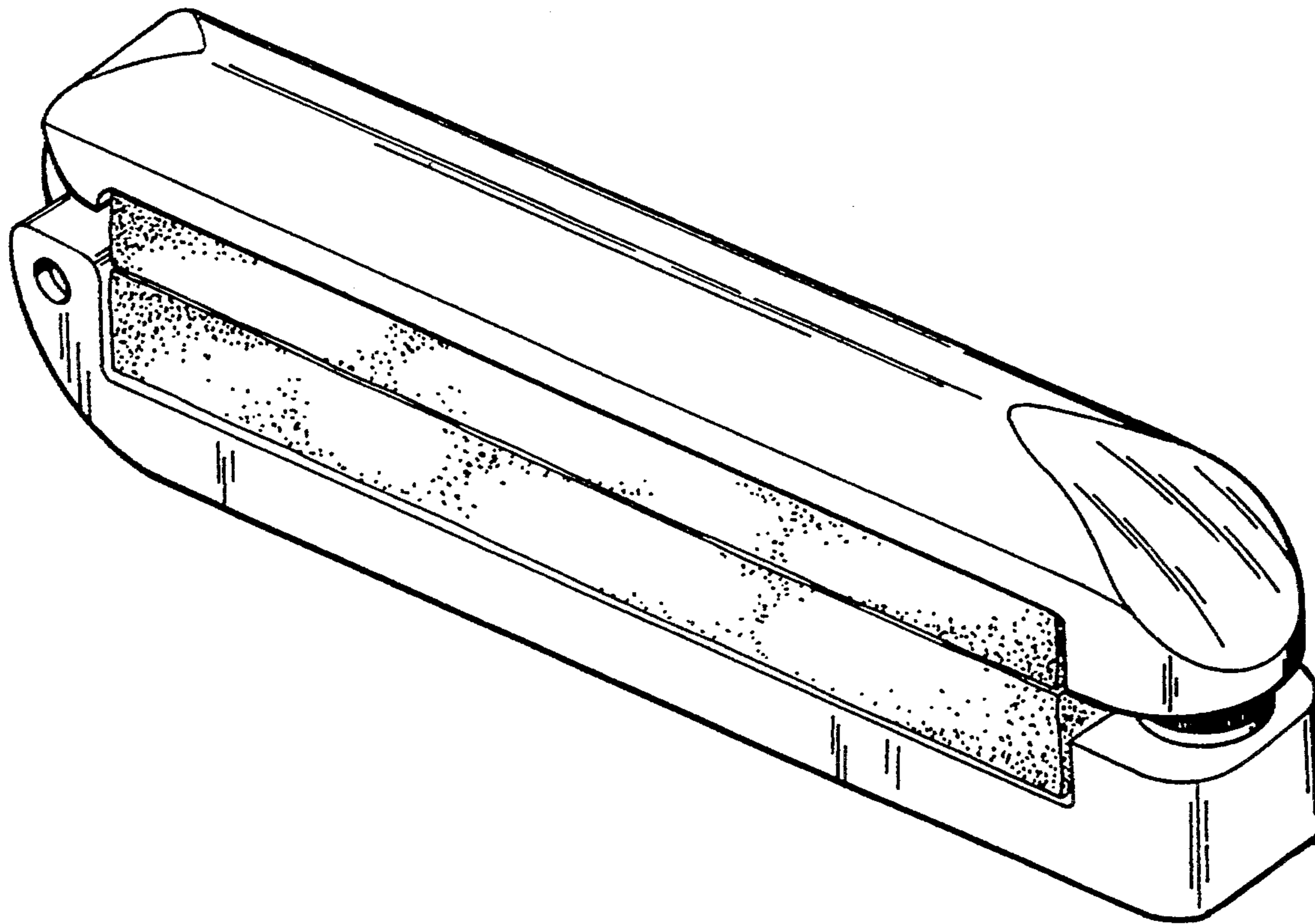
FIG. 5 is an opposite side view thereof;

FIG. 6 is an end elevational view thereof; and,

FIG. 7 is an opposite end elevational view thereof.

[56] References Cited U.S. PATENT DOCUMENTS

- D. 223,261 4/1972 Stahl D6/552
- D. 303,192 9/1989 Bogar, III D6/552
- D. 310,020 8/1990 Fujioka D8/396
- D. 342,669 12/1993 Solomon D8/396
- D. 349,751 8/1994 Ruff D22/147
- 2,614,359 10/1952 Galbraith et al. 43/57.1
- 3,376,614 4/1968 Stahl, Jr. 211/70.8



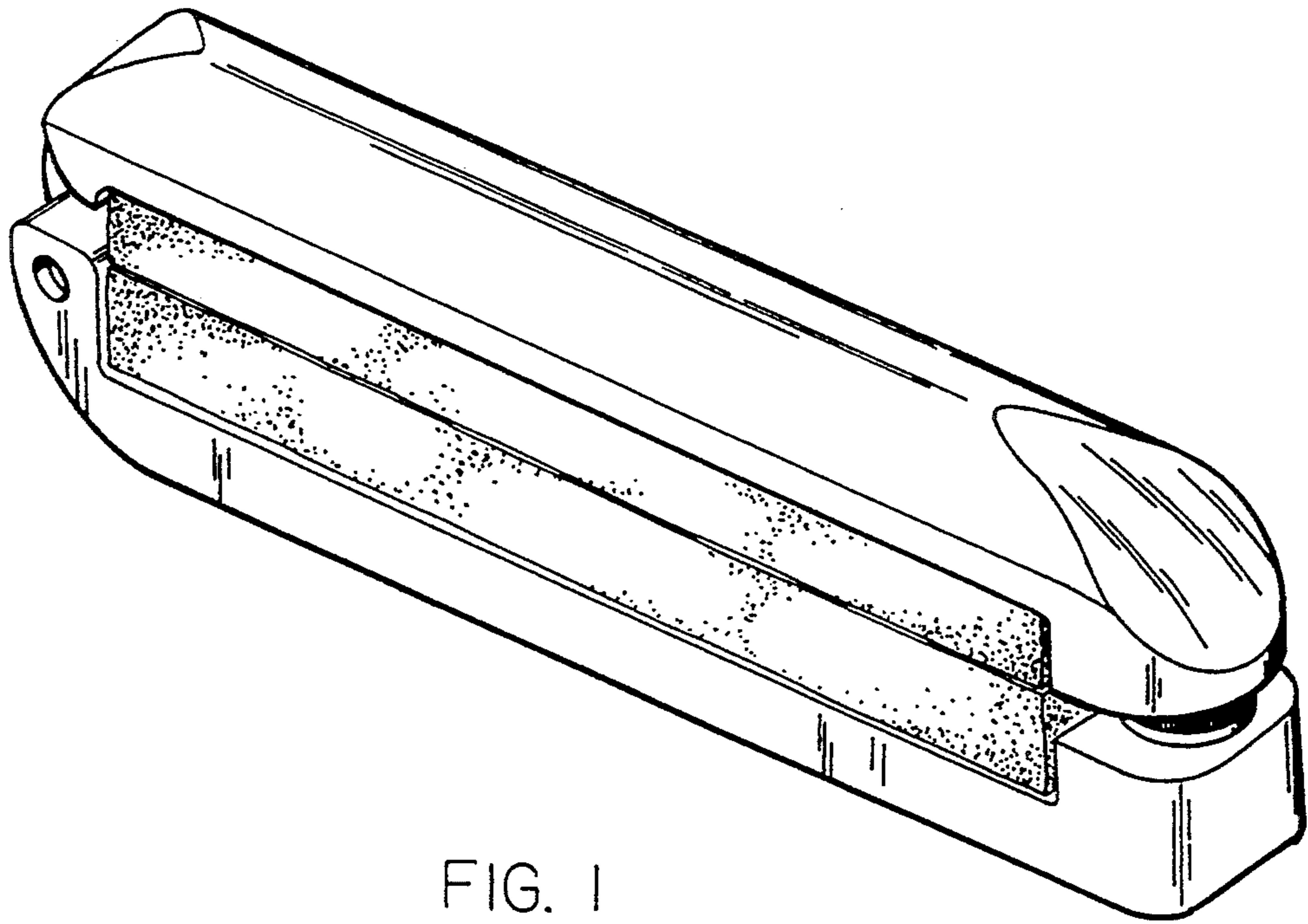


FIG. 1

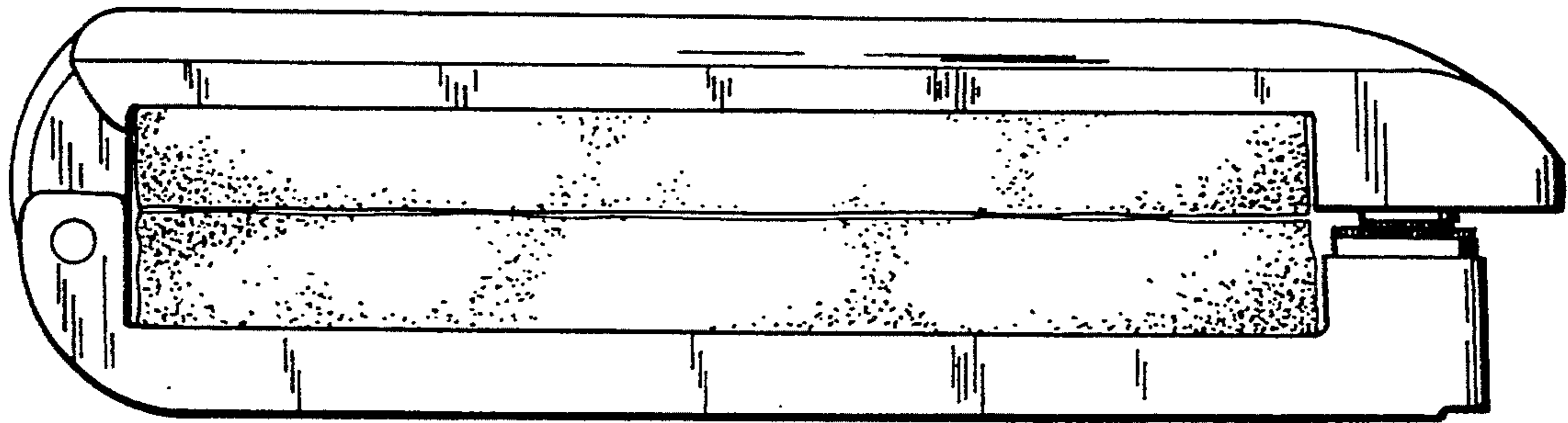


FIG. 2

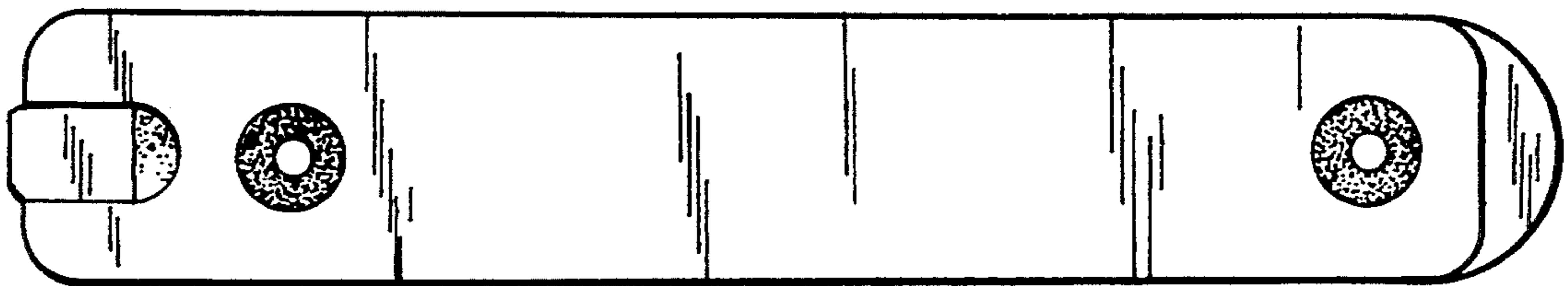


FIG. 3

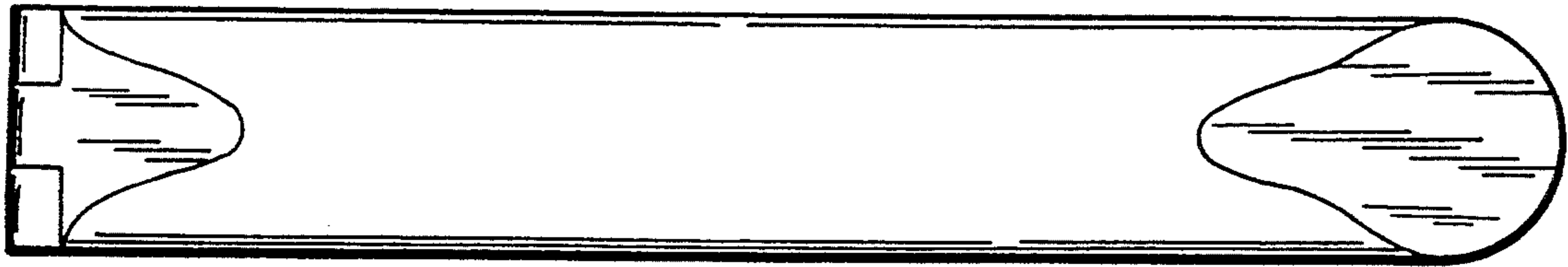


FIG. 4

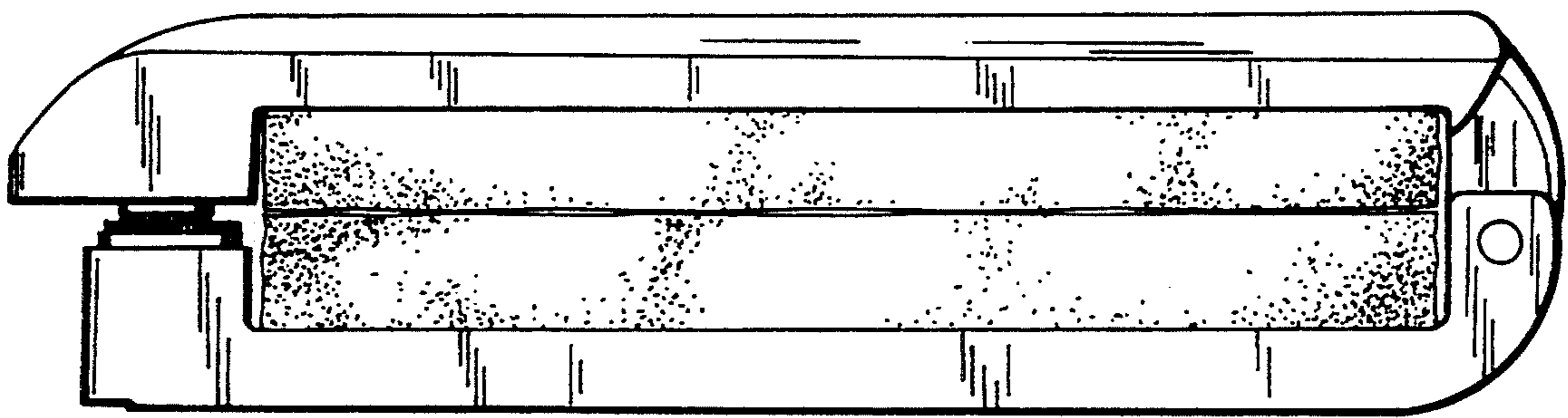


FIG. 5

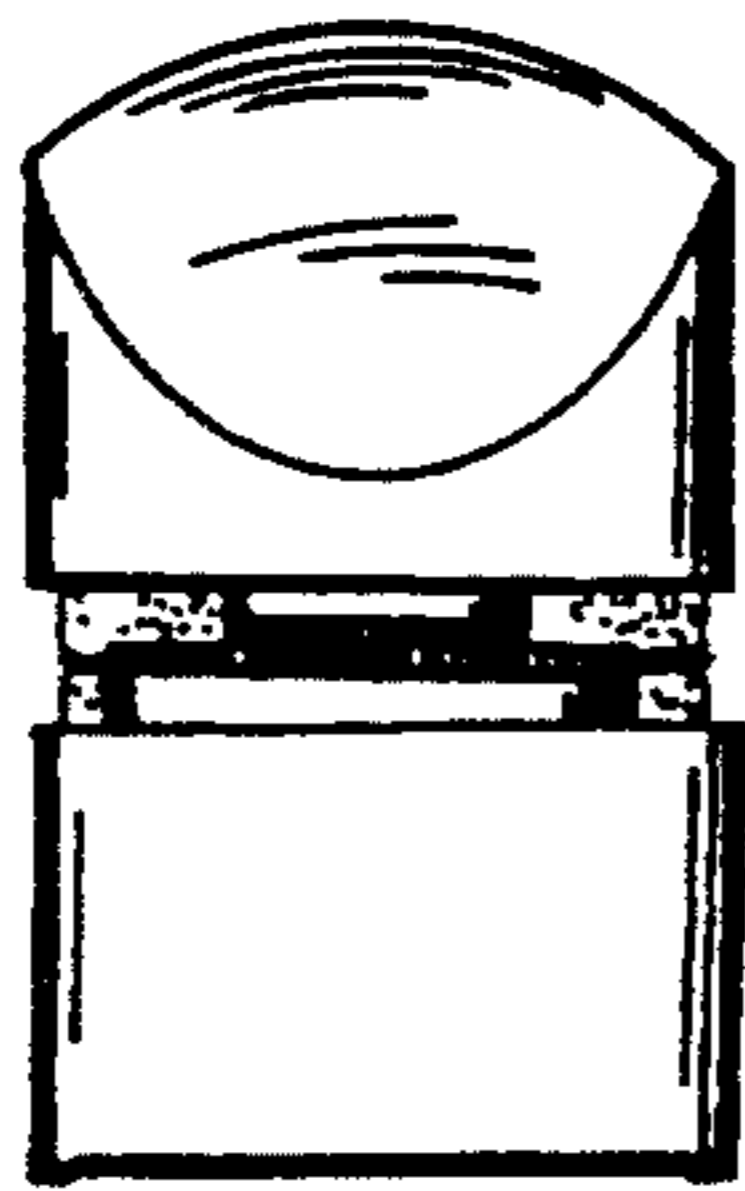


FIG. 6

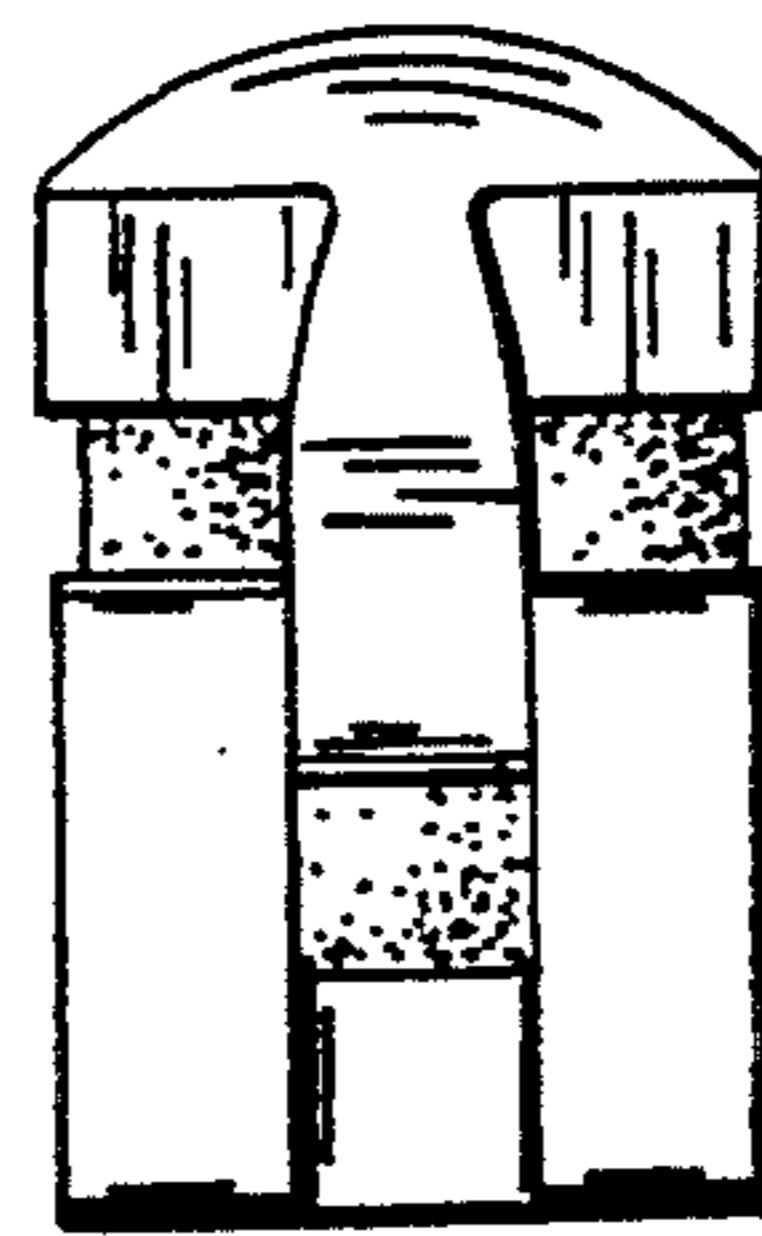


FIG. 7