



US00D360454S

# United States Patent [19] DePaoli

[11] Patent Number: **Des. 360,454**

[45] Date of Patent: **\*\* Jul. 18, 1995**

[54] **AIR GUN SIGHT**  
[76] Inventor: **Alfred C. DePaoli**, 1 Wyman St.,  
Woburn, Mass. 01801  
[\*\*] Term: **14 Years**  
[21] Appl. No.: **22,116**  
[22] Filed: **May 2, 1994**

2,645,017 7/1953 Haase ..... 42/100 X  
2,932,896 4/1960 Hicinbothem ..... 42/100 X  
3,187,436 6/1965 Friedrichsmeier ..... 42/100 X

*Primary Examiner*—Doris V. Coles  
*Attorney, Agent, or Firm*—Robert T. Dunn

### [57] CLAIM

The ornamental design for air gun sight, as shown and described.

### Related U.S. Application Data

[63] Continuation-in-part of Ser. No. 14,855, Nov. 1, 1993.  
[52] U.S. Cl. .... **D22/109**  
[58] Field of Search ..... D22/109, 110, 132;  
43/100, 102, 103; 33/298, 243, 241, 246;  
356/251, 252, 247, 258, 245

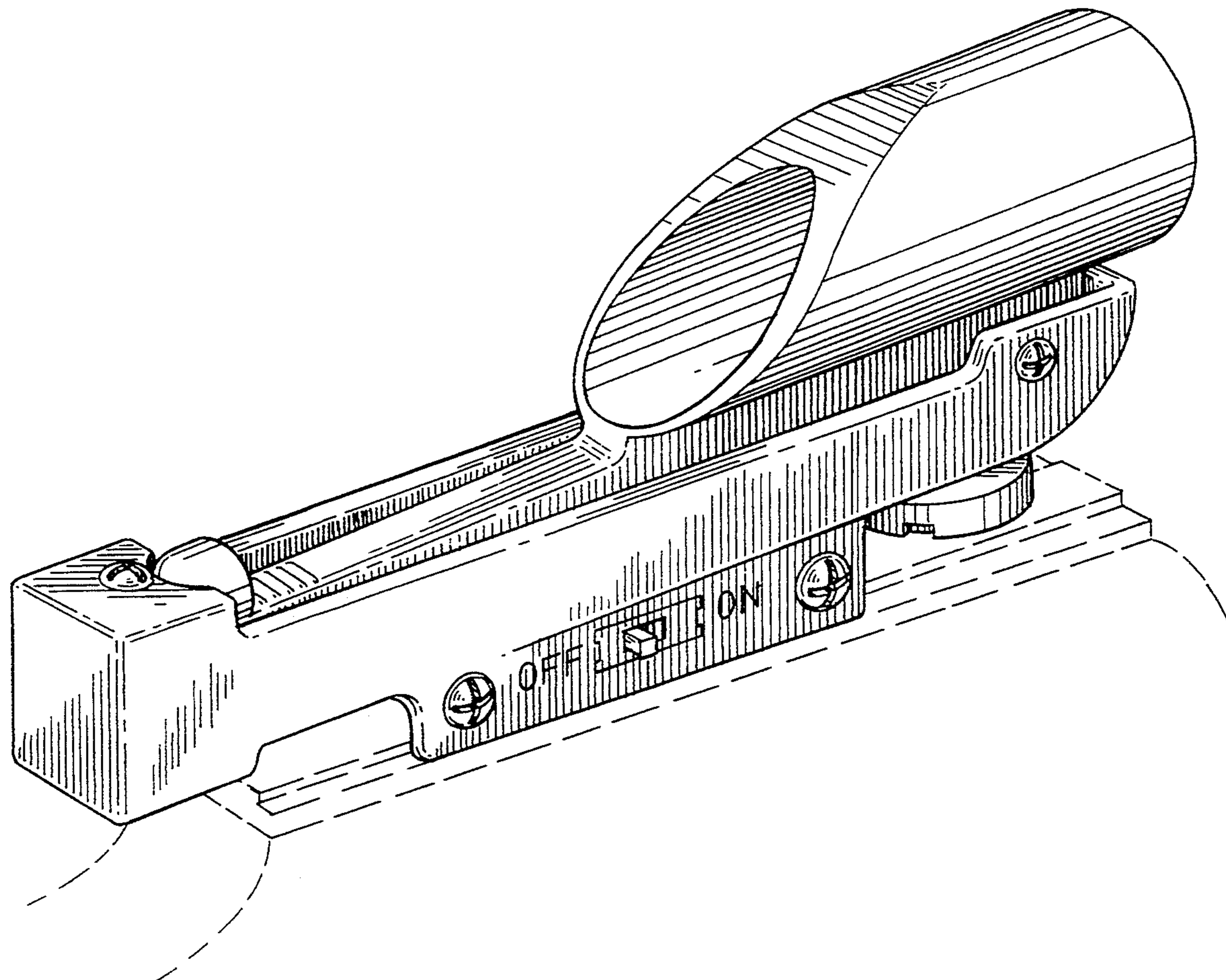
### DESCRIPTION

FIG. 1 is a rear, top and side perspective view of an air gun sight, showing my new design;  
FIG. 2 is a rear elevational view thereof;  
FIG. 3 is a top plan view thereof;  
FIG. 4 is a front elevational view thereof;  
FIG. 5 is a view of the opposite side of FIG. 1; and,  
FIG. 6 is a bottom view thereof.  
The broken line showing of environment in FIGS. 1 and 2 is for illustrative purposes only and forms no part of the claimed design.

### [56] References Cited

#### U.S. PATENT DOCUMENTS

2,039,907 5/1936 Jefferson ..... 42/100 X  
2,585,395 2/1952 Martin et al. .... 33/258



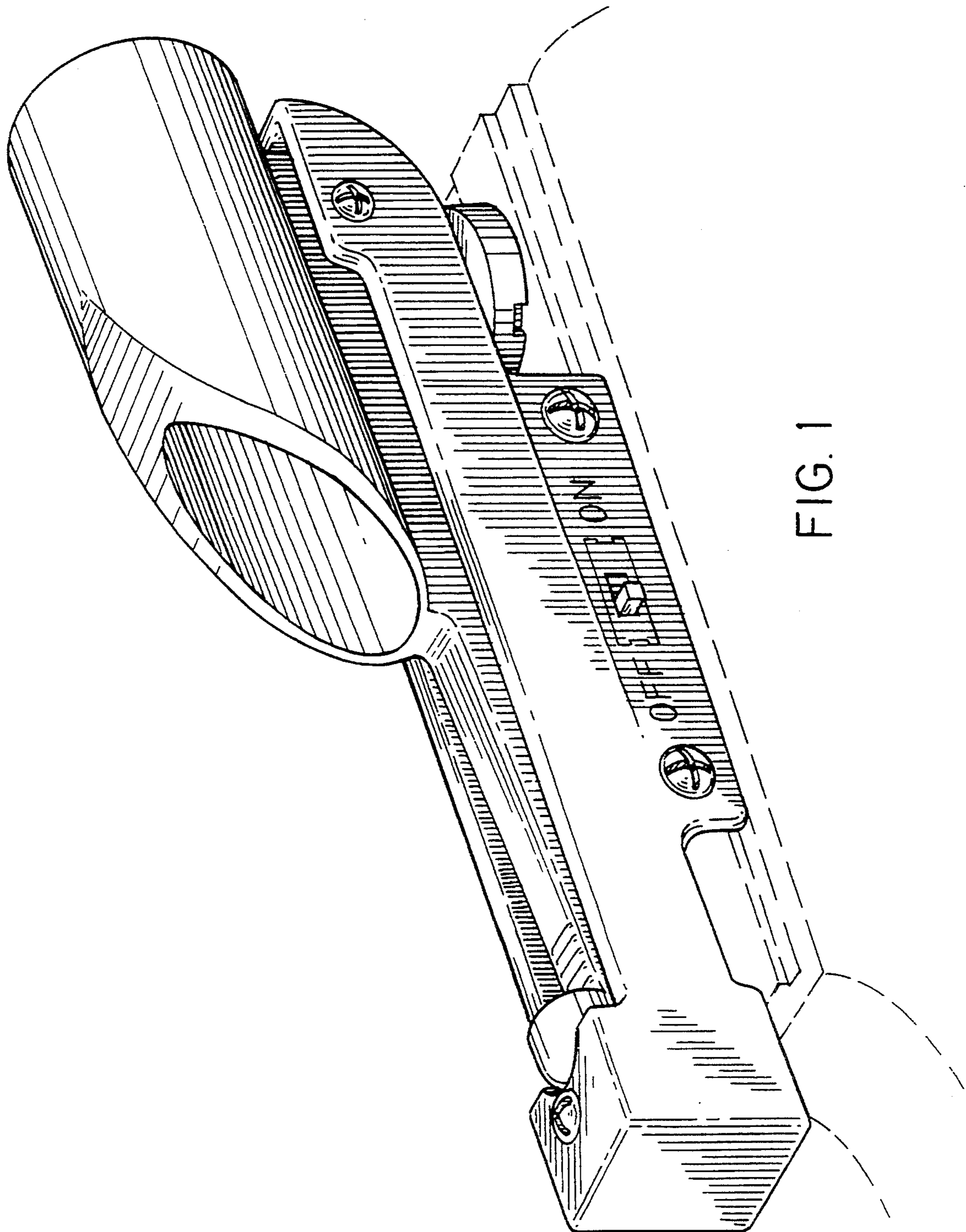


FIG. 1

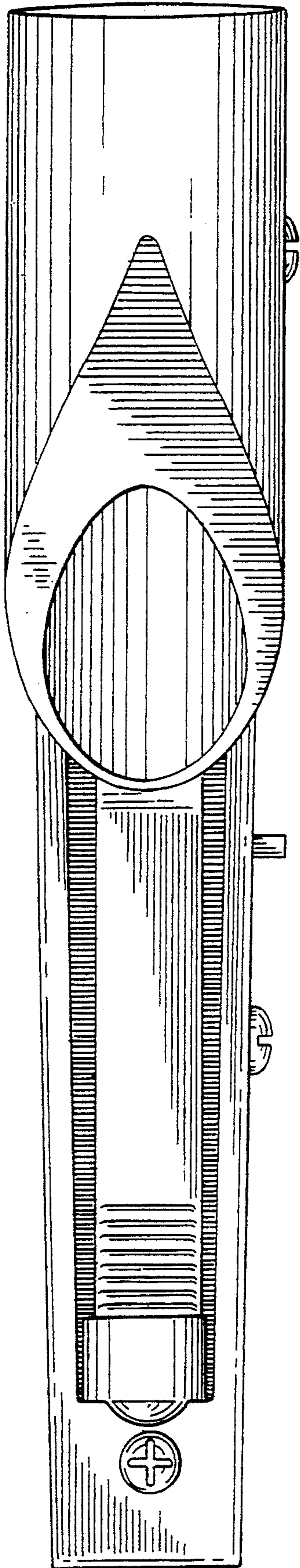


FIG. 3

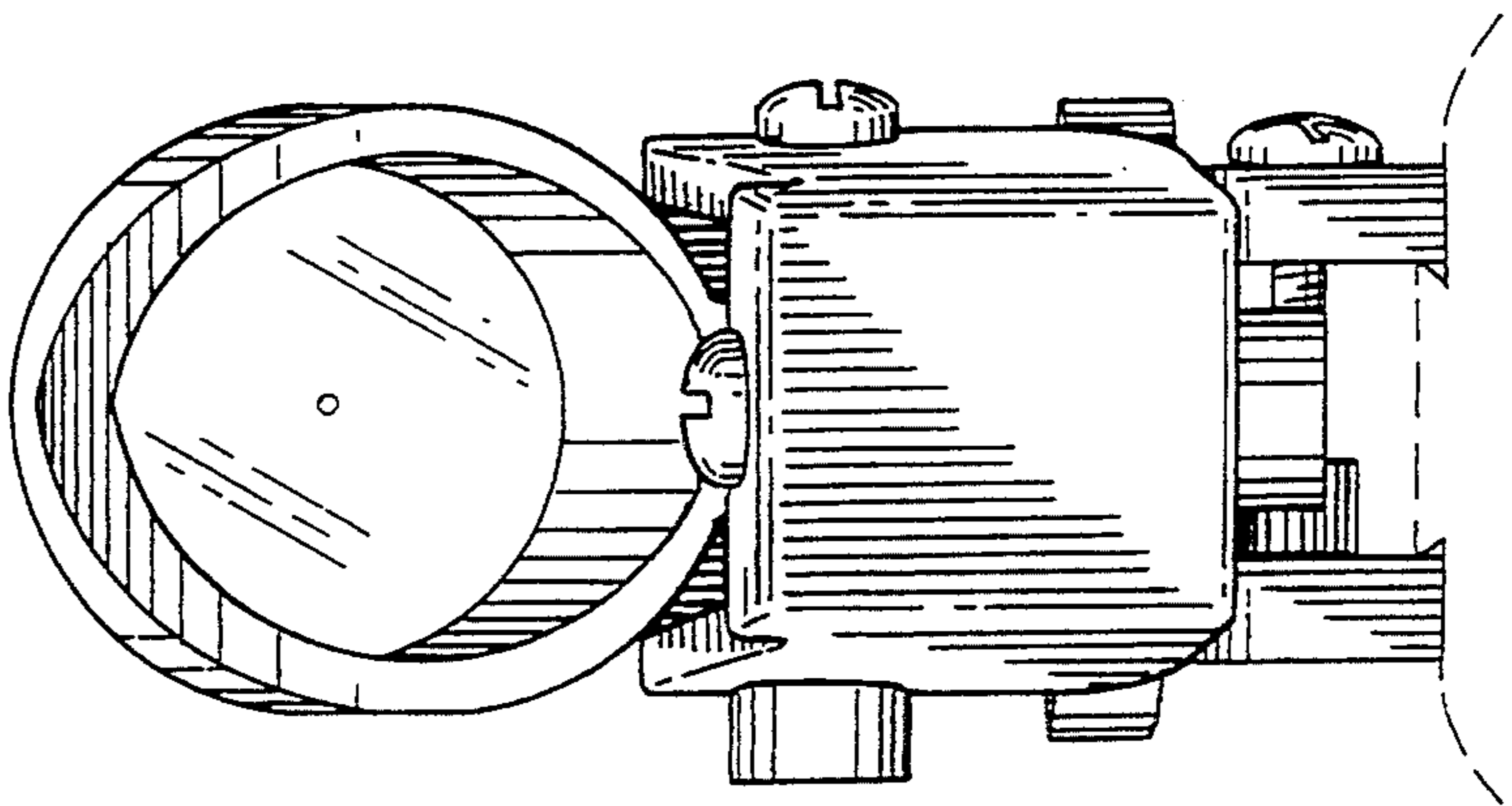


FIG. 2

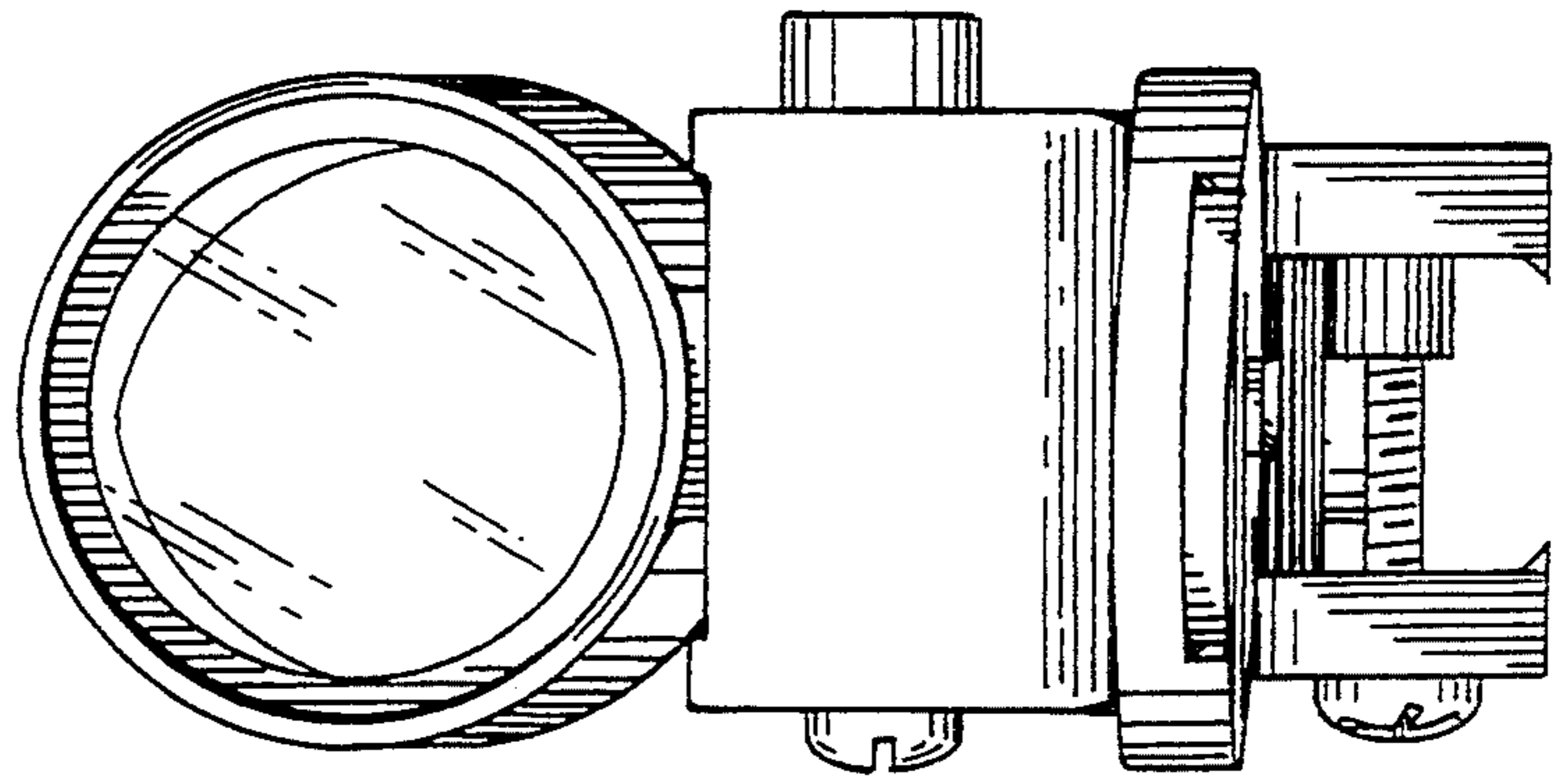


FIG. 4

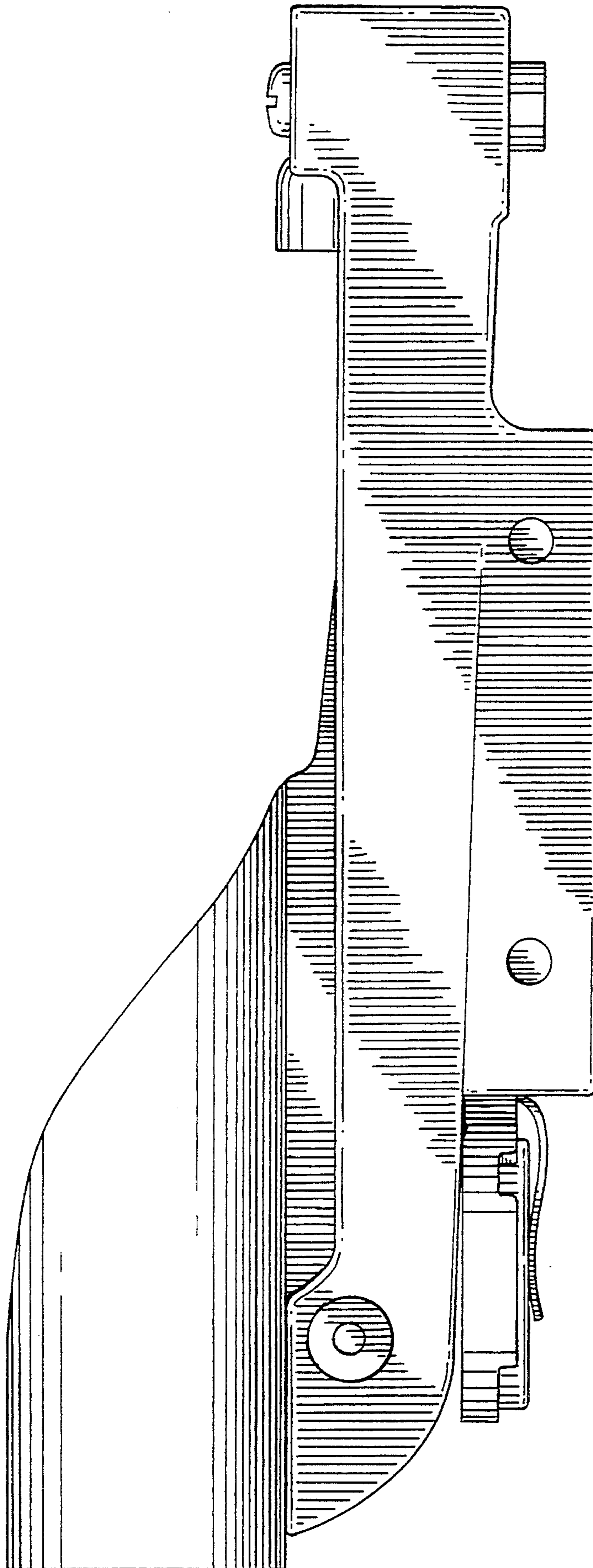


FIG. 5

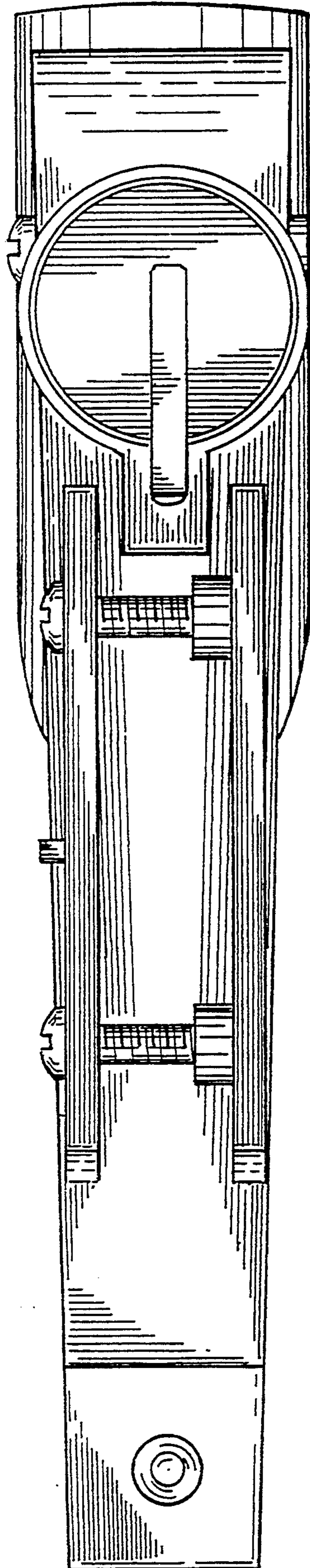


FIG. 6