



US00D360452S

United States Patent [19]

[11] Patent Number: Des. 360,452

Gessler

[45] Date of Patent: ** Jul. 18, 1995

[54] COMBINED SWIMMING BELT AND TETHER

[76] Inventor: Diana L. Gessler, 3045 Estero Blvd., Fort Myers Beach, Fla. 33931

[**] Term: 14 Years

[21] Appl. No.: 567,338

[22] Filed: Aug. 14, 1990

[52] U.S. Cl. D21/238; D8/382

[58] Field of Search D21/238, 237, 236, 230, D21/229, 228; 441/74; 482/131, 55, 129; 280/637; D2/627; D8/367, 382; 24/600.19, 601.2, 601.3; D30/152, 153, 154; 119/96, 101, 109

[56] **References Cited**

U.S. PATENT DOCUMENTS

D. 281,483	11/1985	Faidide	D8/382
2,349,264	5/1944	Grice	D11/220
3,123,052	3/1964	Marshall	119/109
3,280,438	10/1966	Luketa	D8/382
3,988,020	10/1976	Carter .	
4,247,096	1/1981	Schmitt .	
4,524,711	6/1985	Ashrow .	
4,530,497	7/1985	Moran et al. .	
4,544,155	10/1985	Wallenbrock et al. .	
4,577,859	3/1986	Gossett .	
5,010,850	4/1991	Sailer	119/96
5,026,088	6/1991	Stuart	441/74

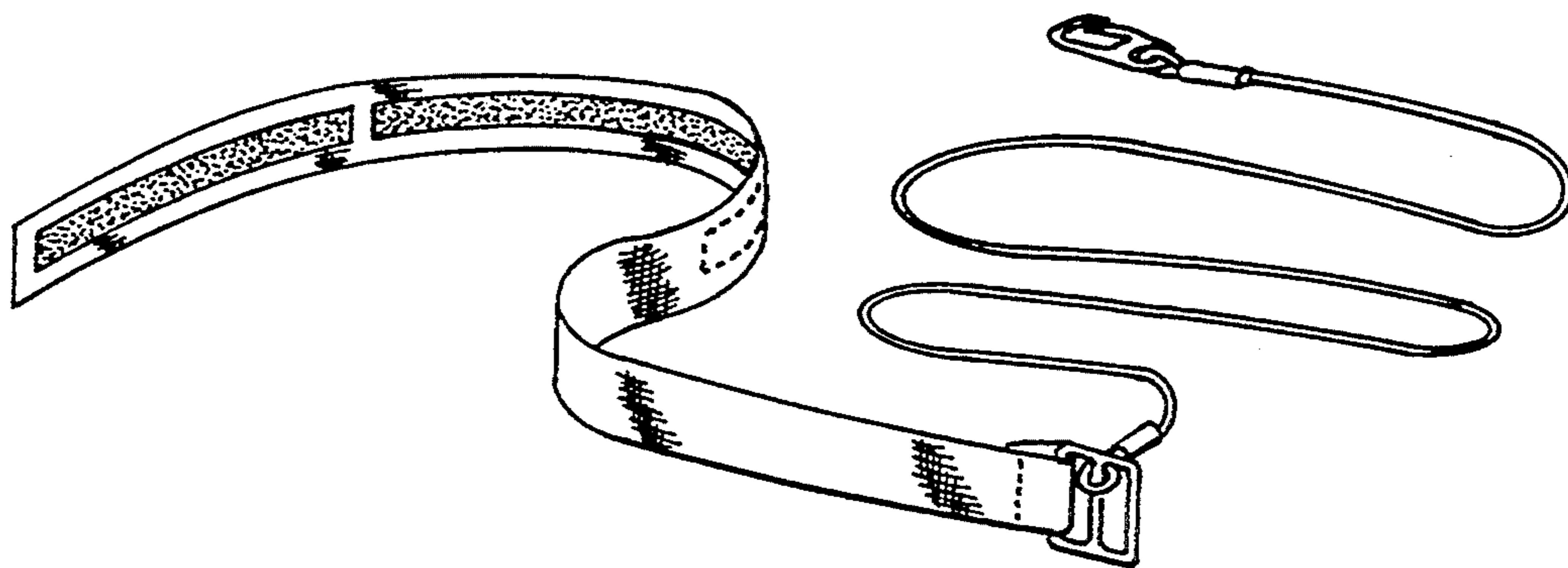
Primary Examiner—Kay H. Chin
Attorney, Agent, or Firm—Burd Bartz & Gutenkauf

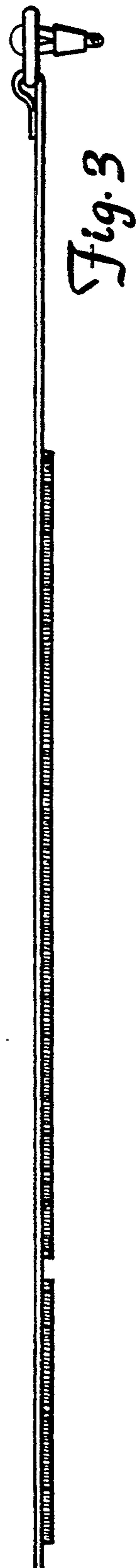
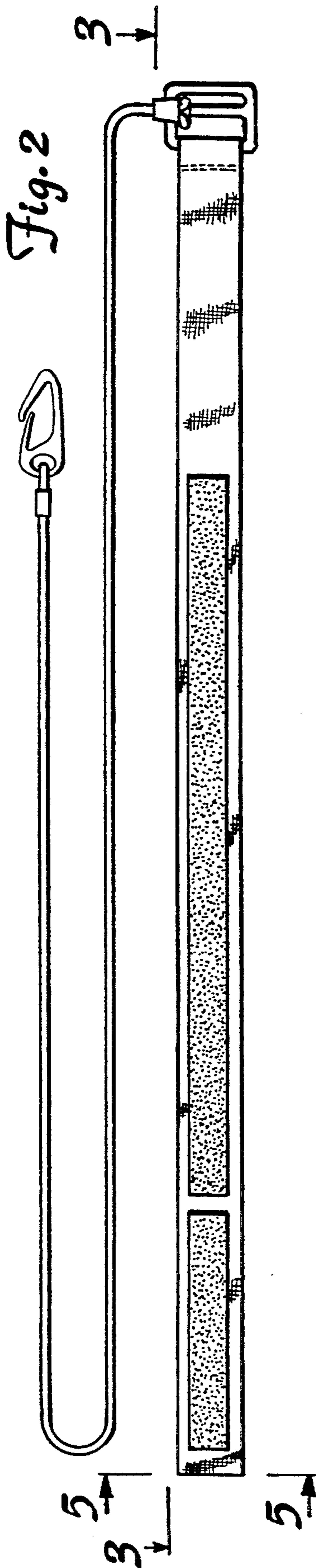
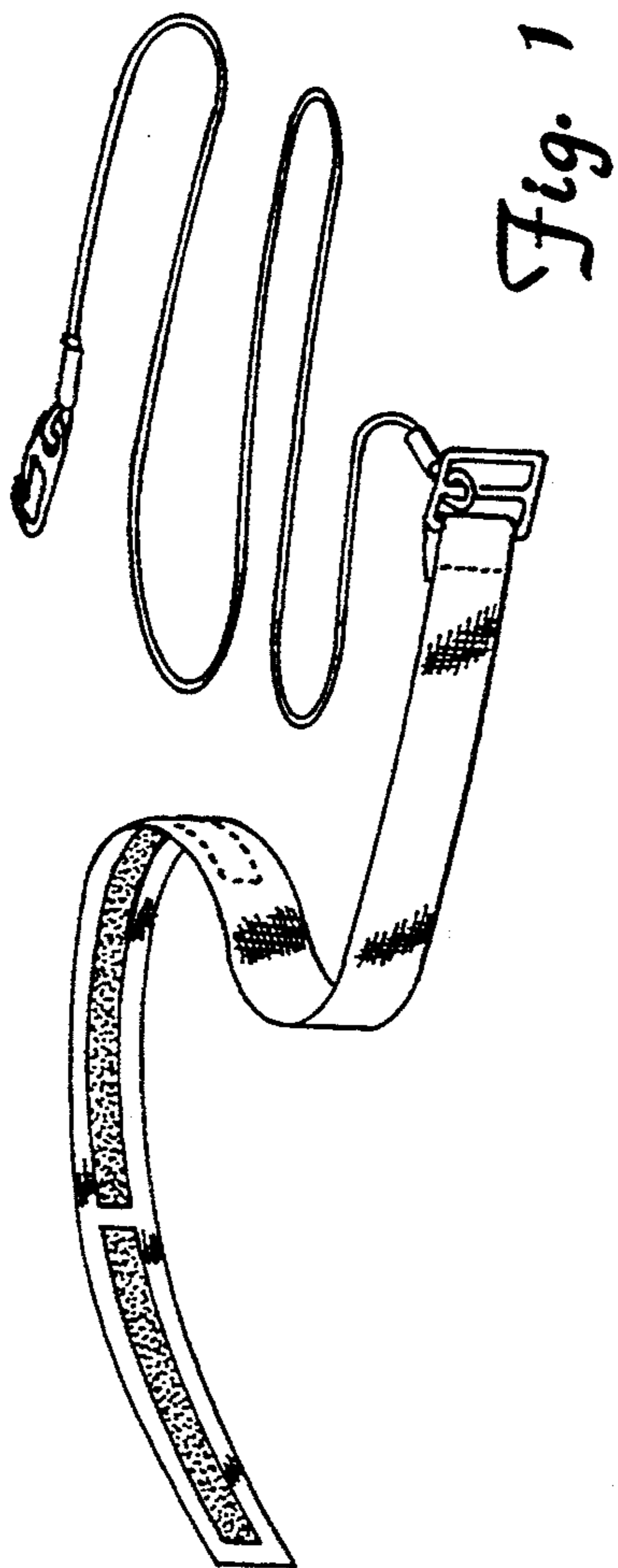
[57] **CLAIM**

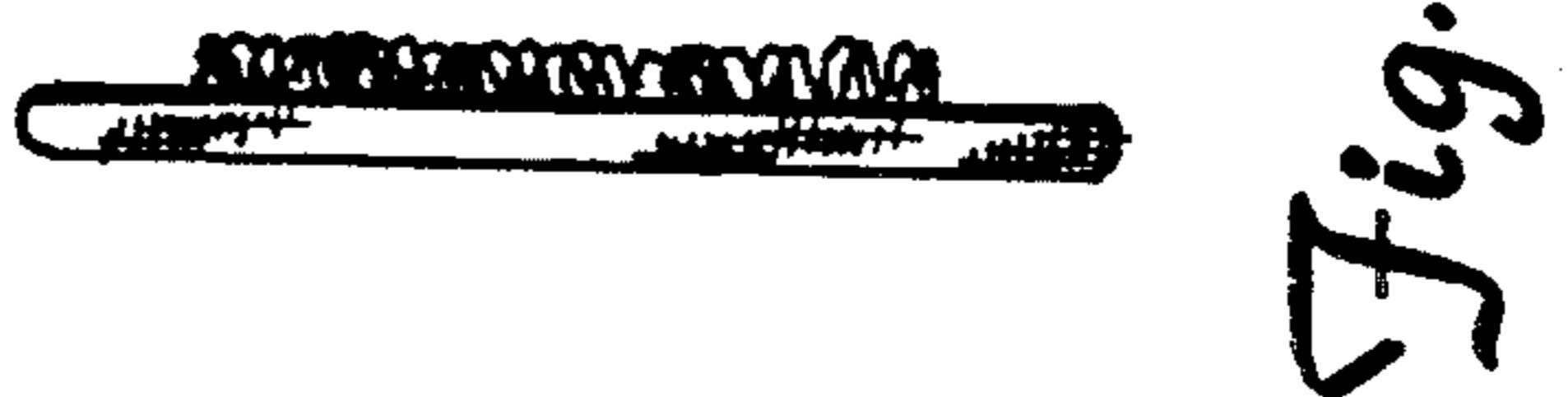
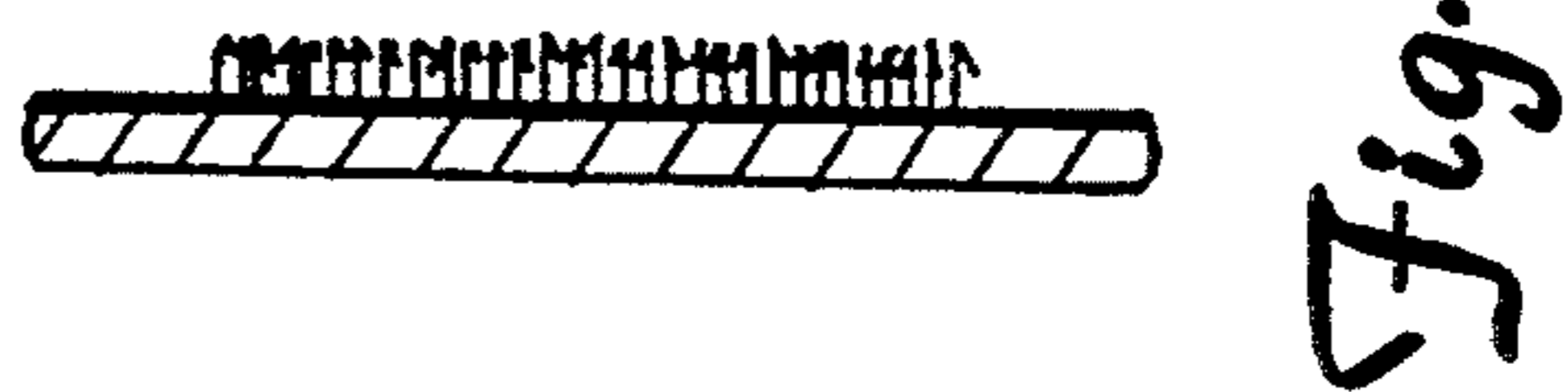
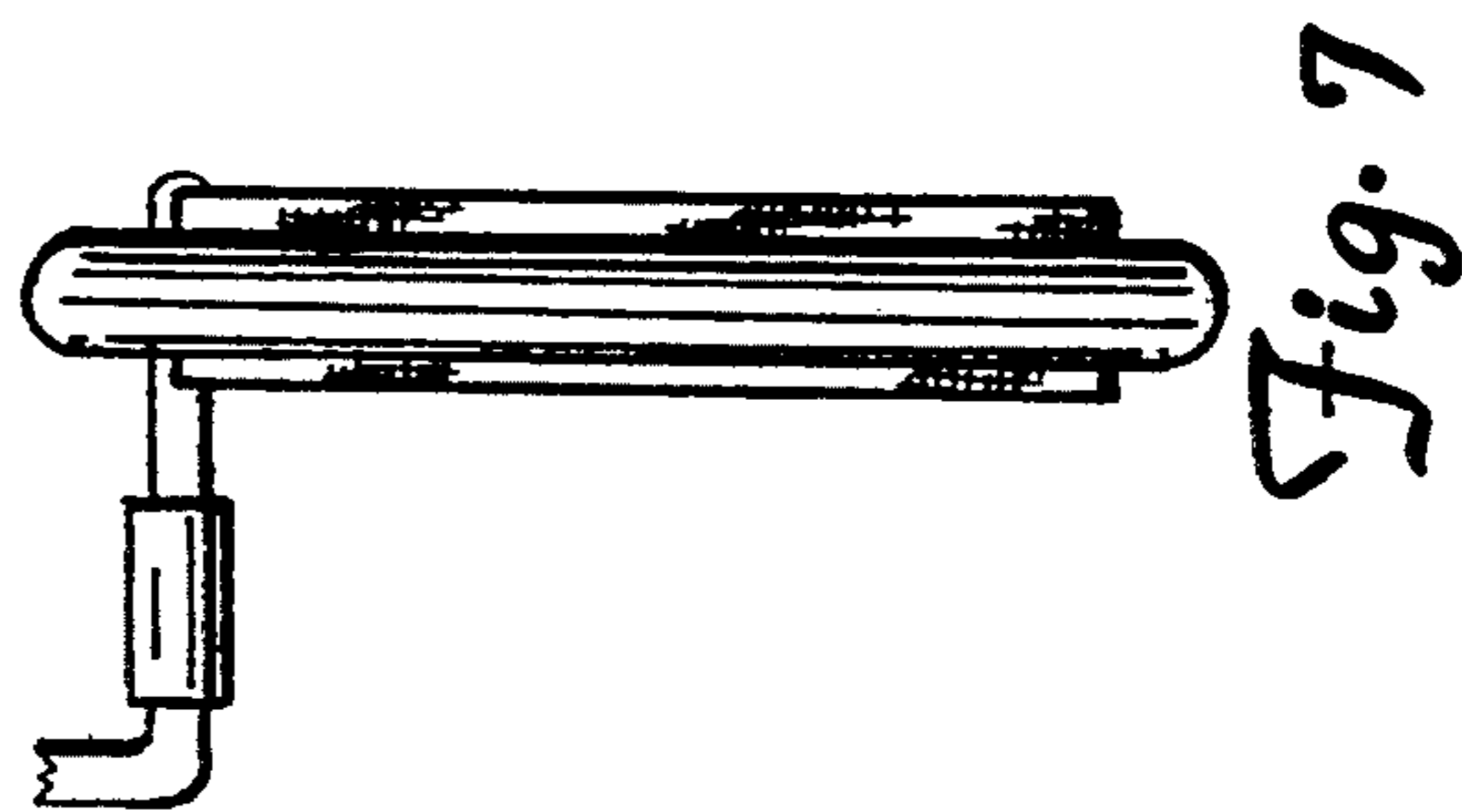
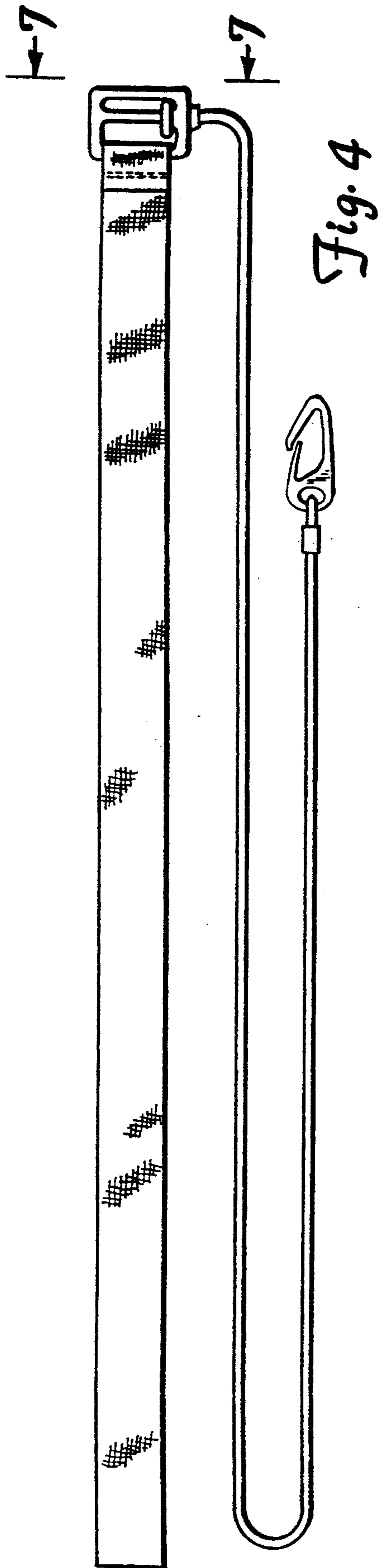
The ornamental design for combined swimming belt and tether, as shown and described.

DESCRIPTION

FIG. 1 is a perspective view of the combined swimming belt and tether of my new design;
 FIG. 2 is a front side view thereof;
 FIG. 3 is a sectional view taken along the line 3—3 of FIG. 2 showing the top view of the belt, the bottom view is a mirror image thereof;
 FIG. 4 is a rear side view thereof;
 FIG. 5 is an enlarged view of the free end thereof;
 FIG. 6 is an enlarged sectional view taken along line 6—6 of FIG. 2;
 FIG. 7 is an enlarged end view of the tether end thereof;
 FIG. 8 is a front plan view of the ring connecting the belt to the tether;
 FIG. 9 is a rear plan view of the ring connecting the belt to the tether;
 FIG. 10 is a top view of FIG. 8, the bottom view being a mirror image thereof;
 FIG. 11 is an enlarged side view of the hook connected to the tether, the opposite side being a mirror image thereof;
 FIG. 12 is a front view of the hook of FIG. 11;
 FIG. 13 is a top view of FIG. 11; and,
 FIG. 14 is a bottom view of FIG. 11.







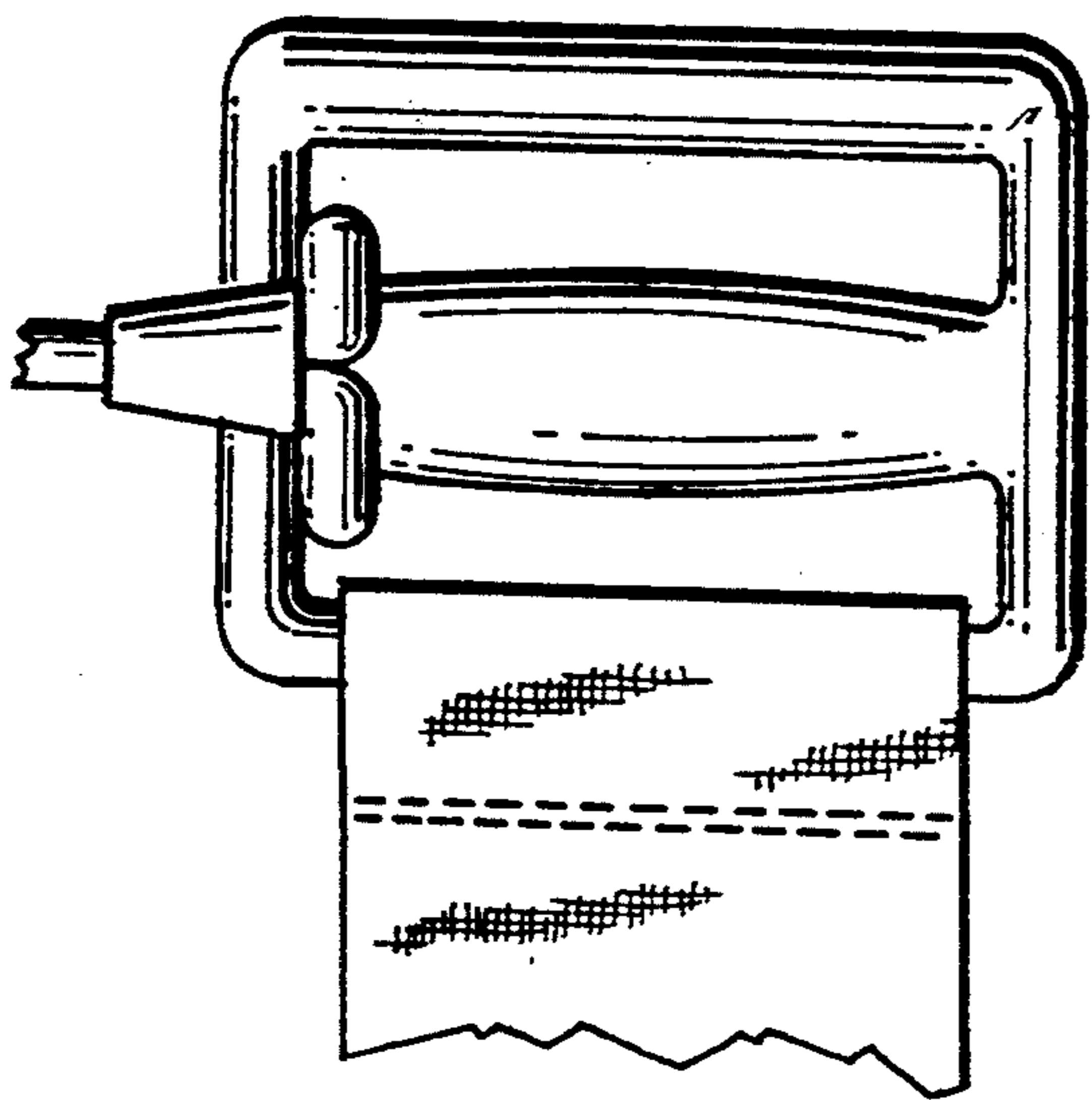


Fig. 8

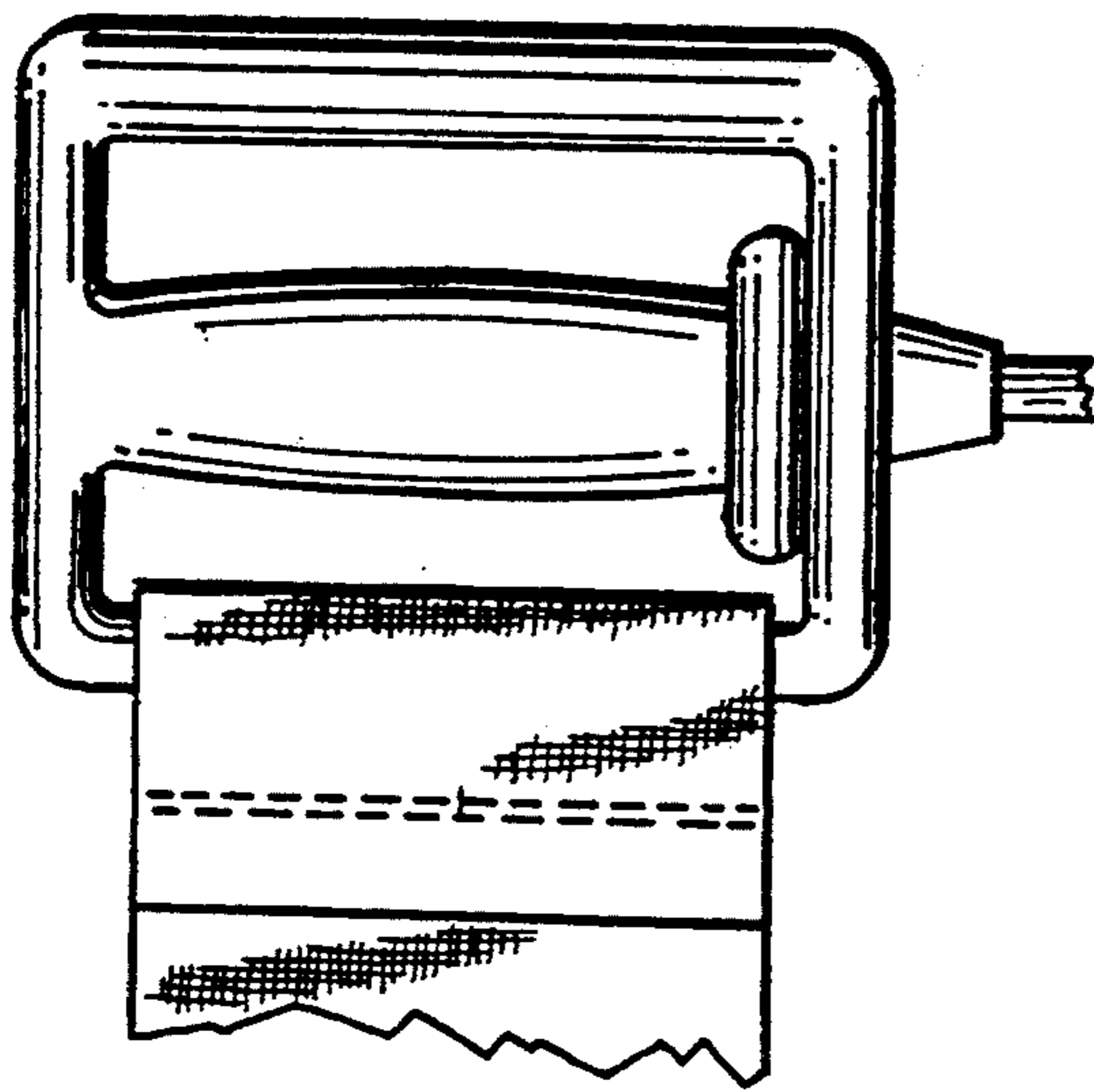


Fig. 9

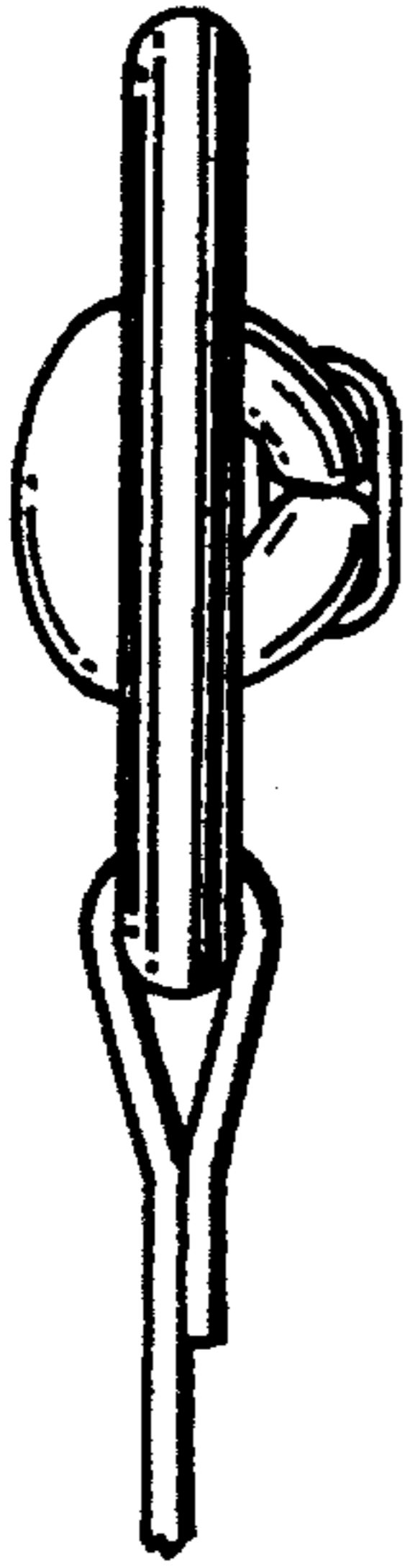


Fig. 10

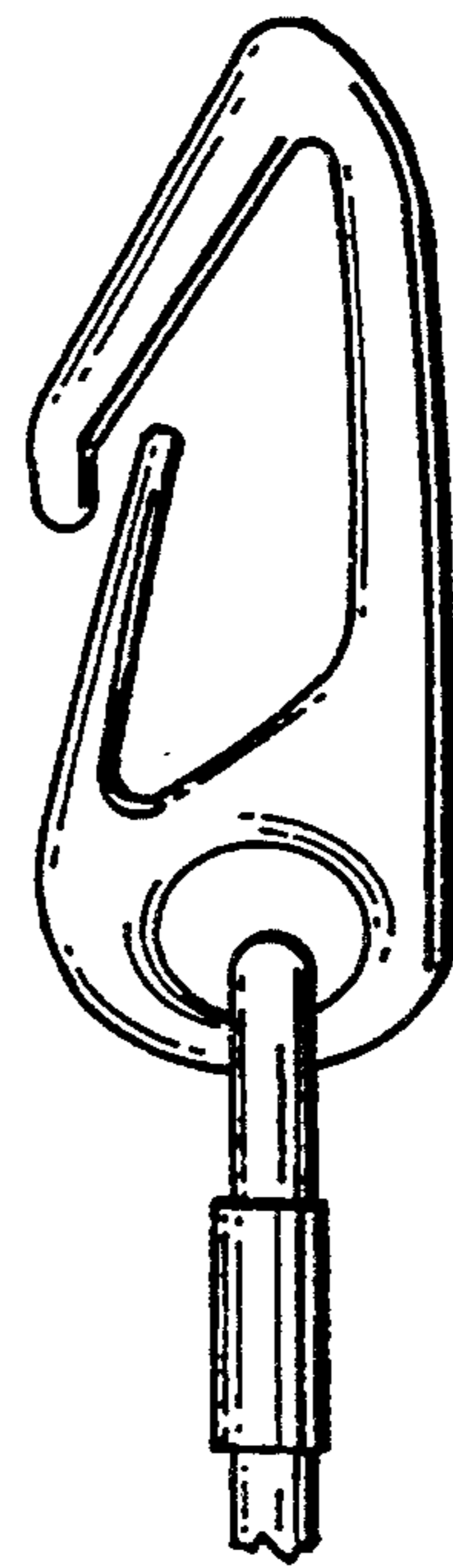


Fig. 11

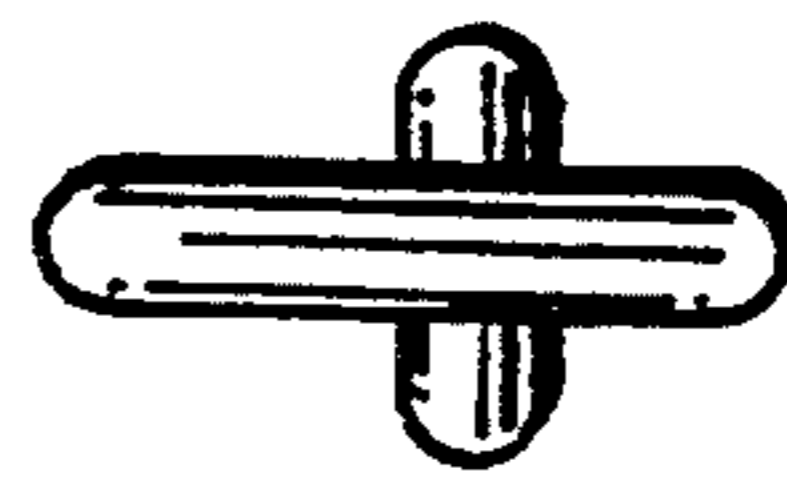


Fig. 12



Fig. 14



Fig. 13