



US00D360448S

# United States Patent [19]

[11] Patent Number: **Des. 360,448**

Wing, Jr.

[45] Date of Patent: **\*\* Jul. 18, 1995**

[54] **ROLLER-SKATE**

4,905,384 3/1990 DeMarchi .  
5,092,614 3/1992 Malewicz ..... 280/11.22

[76] Inventor: **Edwin R. Wing, Jr.**, 802 12th Ave. E.,  
Polson, Mont. 59860

### OTHER PUBLICATIONS

Ski Flash Nov. 1978 p. 27 Boot lower middle of page.  
"Rollerblade" Ad p. 5.

[\*\*] Term: **14 Years**

*Primary Examiner*—Terry A. Wallace  
*Assistant Examiner*—R. Barkai  
*Attorney, Agent, or Firm*—Terry M. Gernstein

[21] Appl. No.: **20,485**

[22] Filed: **Mar. 28, 1994**

[52] U.S. Cl. .... **D21/226**

[58] Field of Search ..... D21/224-227,  
D21/230; 280/11.2, 11.19, 11.22, 11.23, 11.27,  
8.09, 8.16

### [57] CLAIM

The ornamental design for a roller-skate, as shown and described.

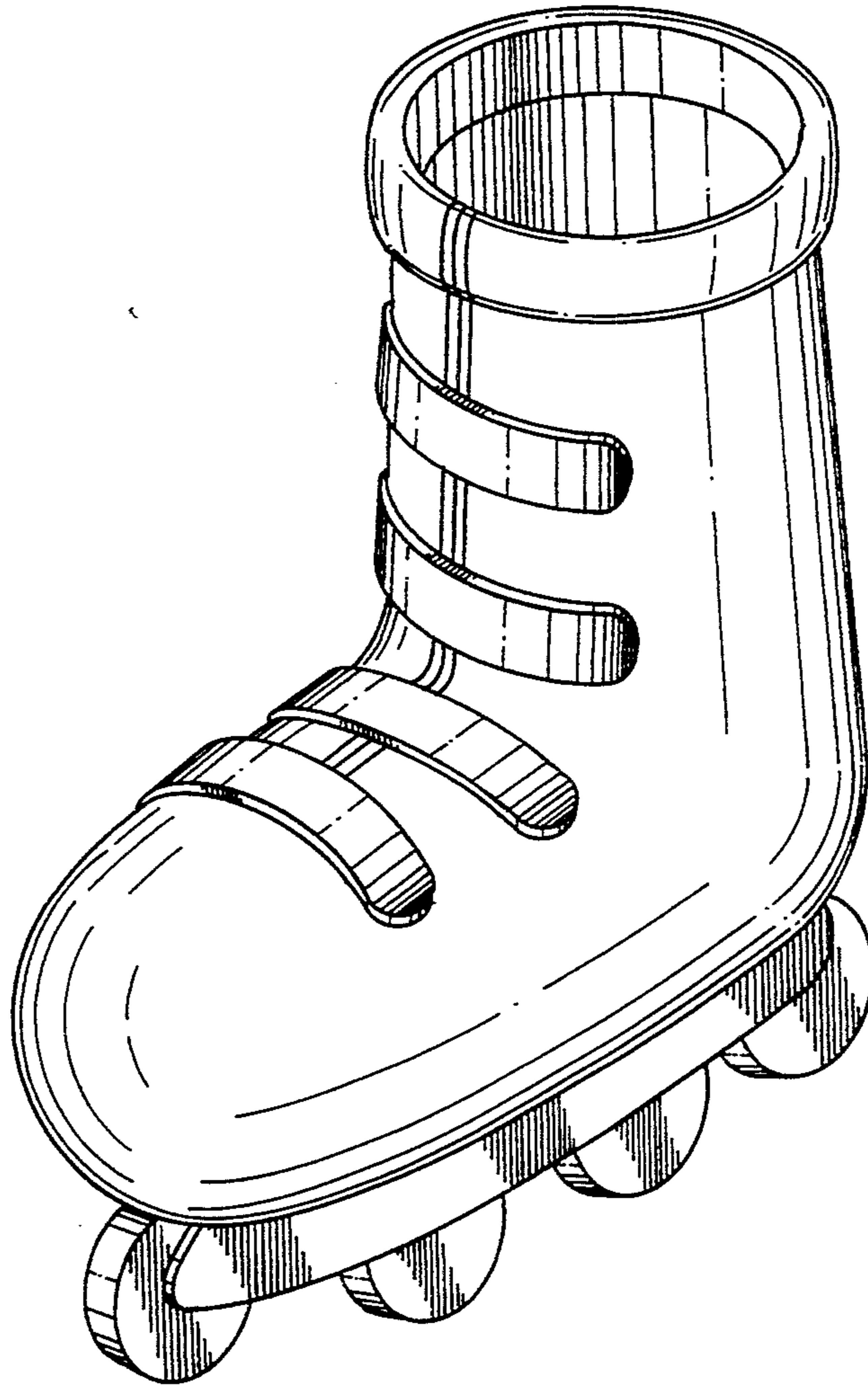
### [56] References Cited

### DESCRIPTION

#### U.S. PATENT DOCUMENTS

D. 300,050	2/1989	Klamer	.....	D21/226
916,289	3/1909	Fitzgerald	.....	280/11.22
933,929	9/1909	Stott	.....	280/11.27
1,428,210	9/1922	Boche	.....	280/11.22
3,843,146	10/1974	Hiraki	.....	D21/226
4,811,503	3/1989	Iwama	.	
4,821,433	4/1989	Marxer	.....	36/50.5

FIG. 1 is a front, top and side perspective view of the roller-skate showing my new design;  
FIG. 2 is a front elevational view thereof;  
FIG. 3 is a rear elevational view thereof;  
FIG. 4 is a side elevational view thereof, the side opposite being a mirror image of the side shown in FIG. 4;  
FIG. 5 is a top plan view thereof; and,  
FIG. 6 is a bottom plan view thereof.



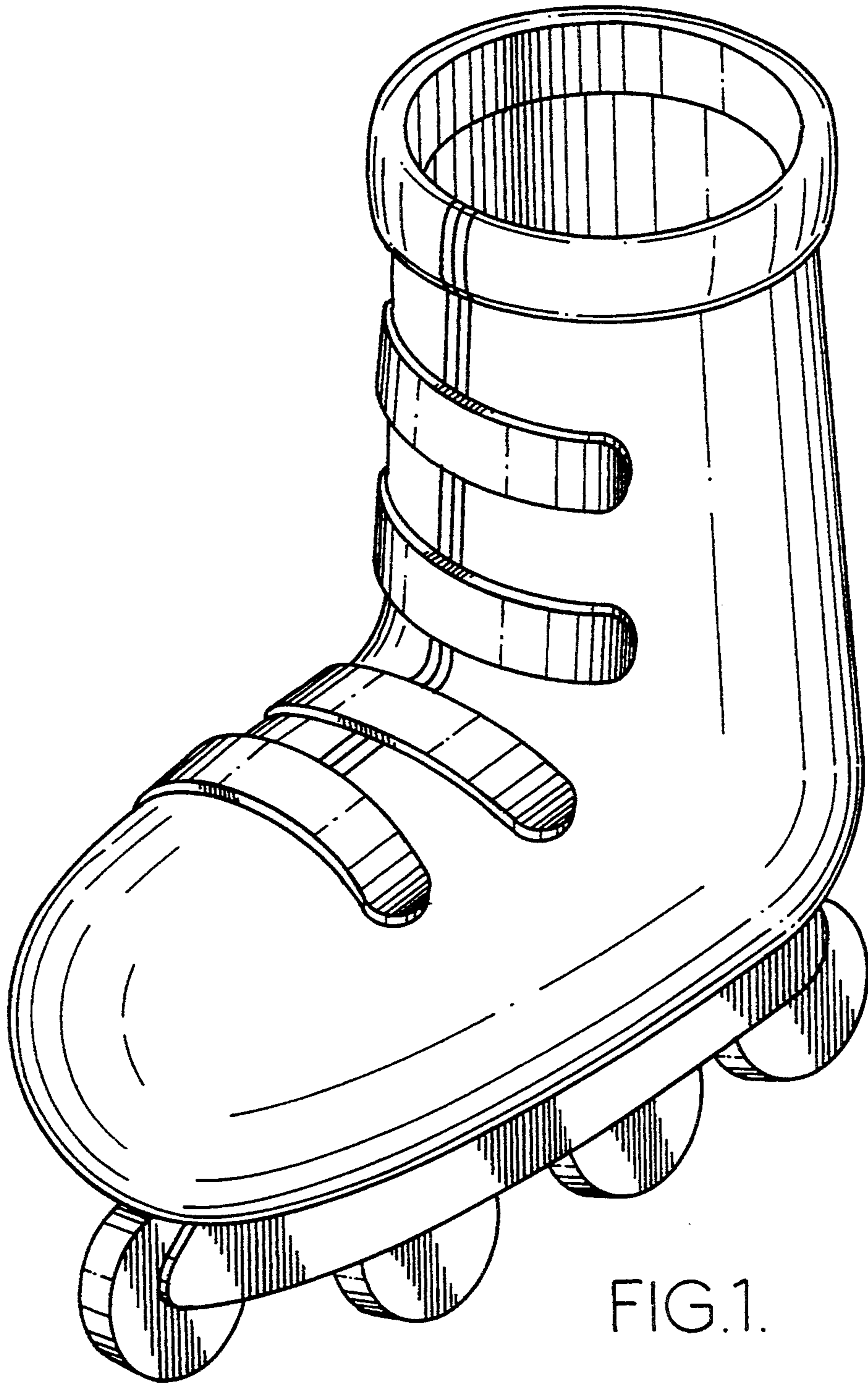


FIG. 1.

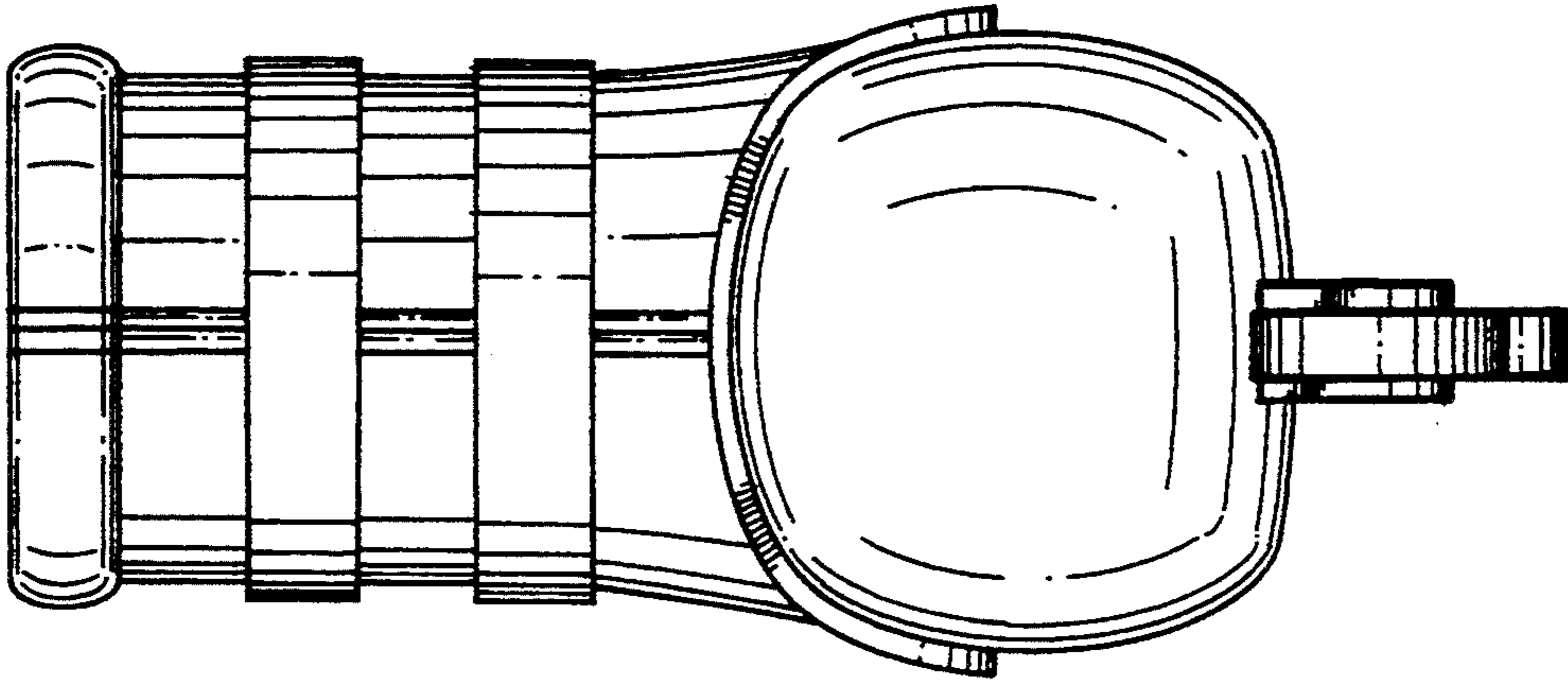


FIG. 2.

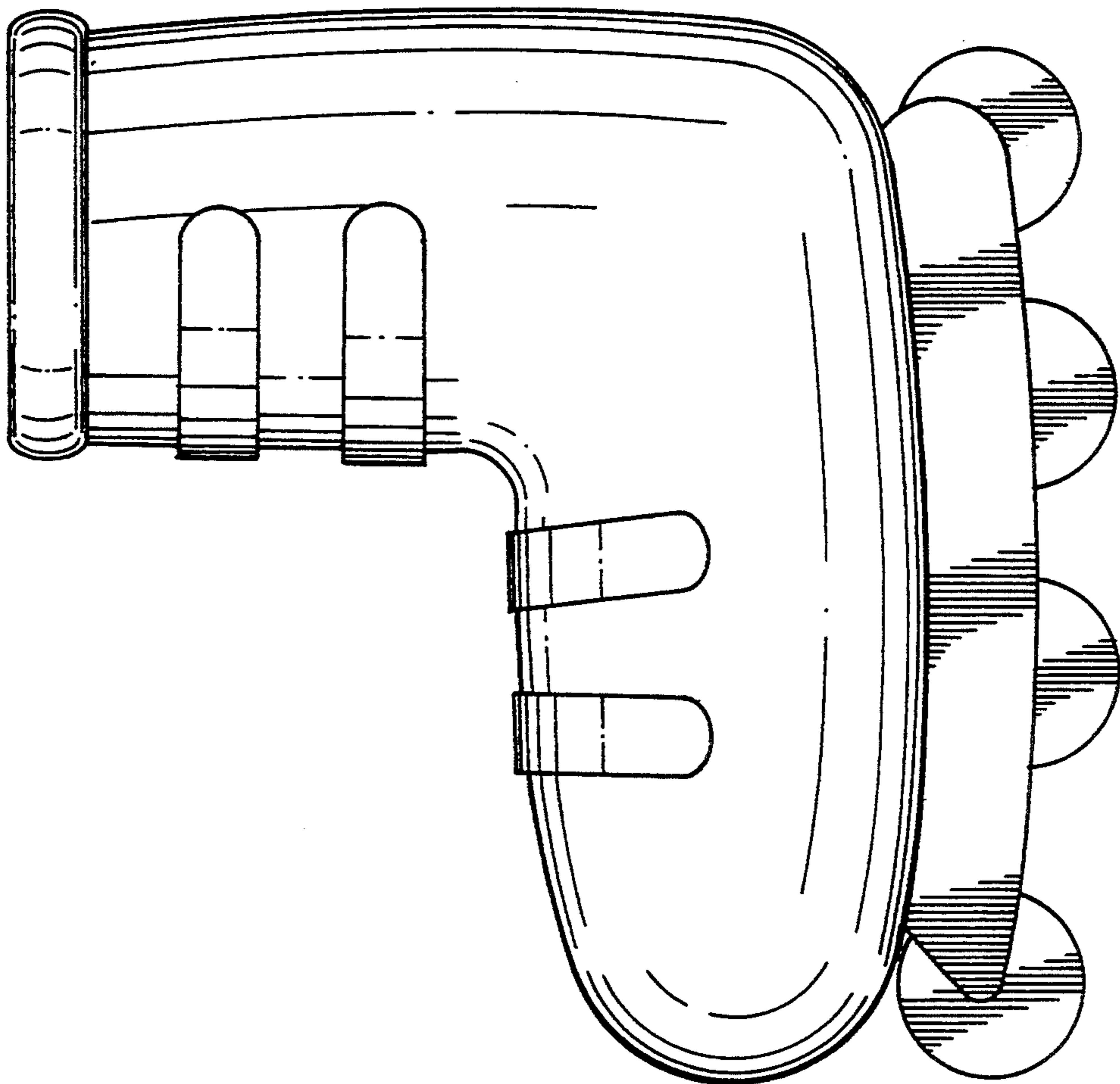


FIG. 4.

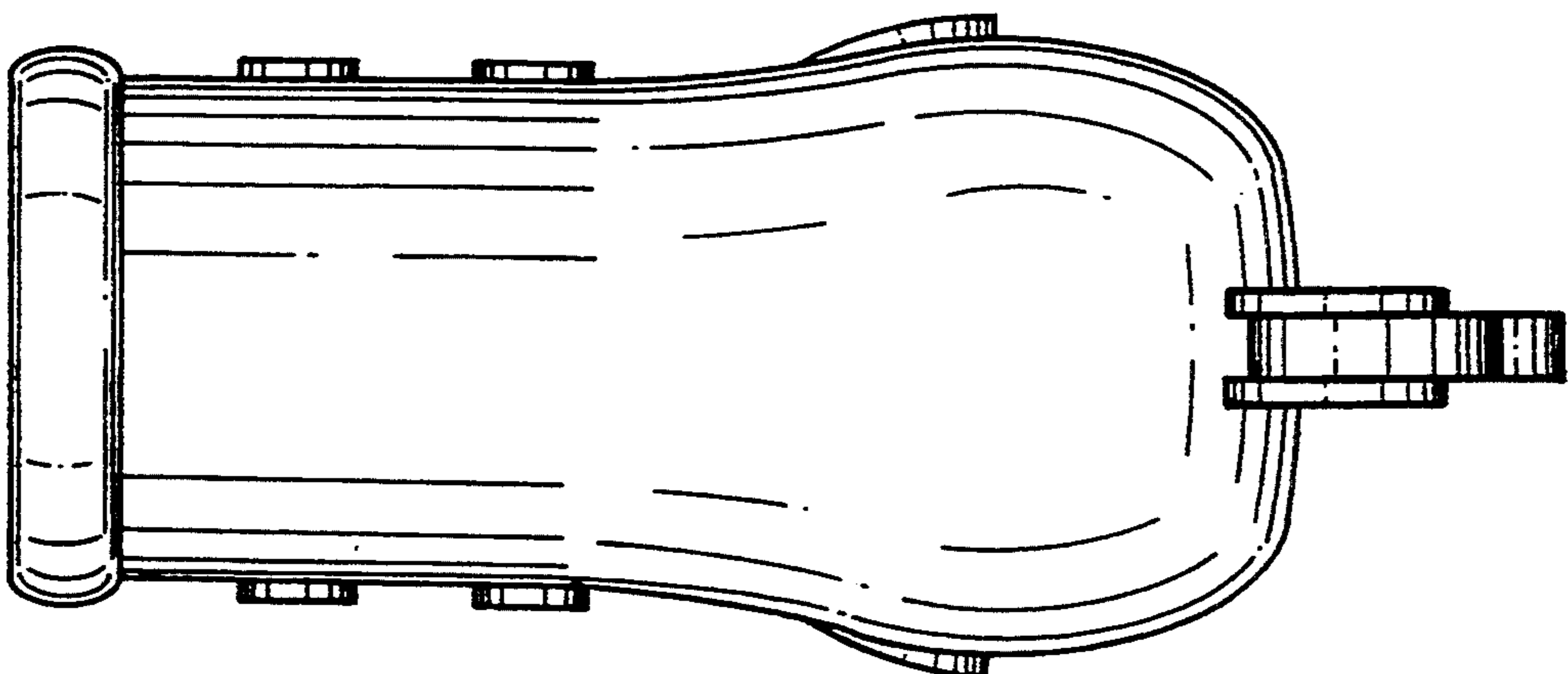


FIG. 3.

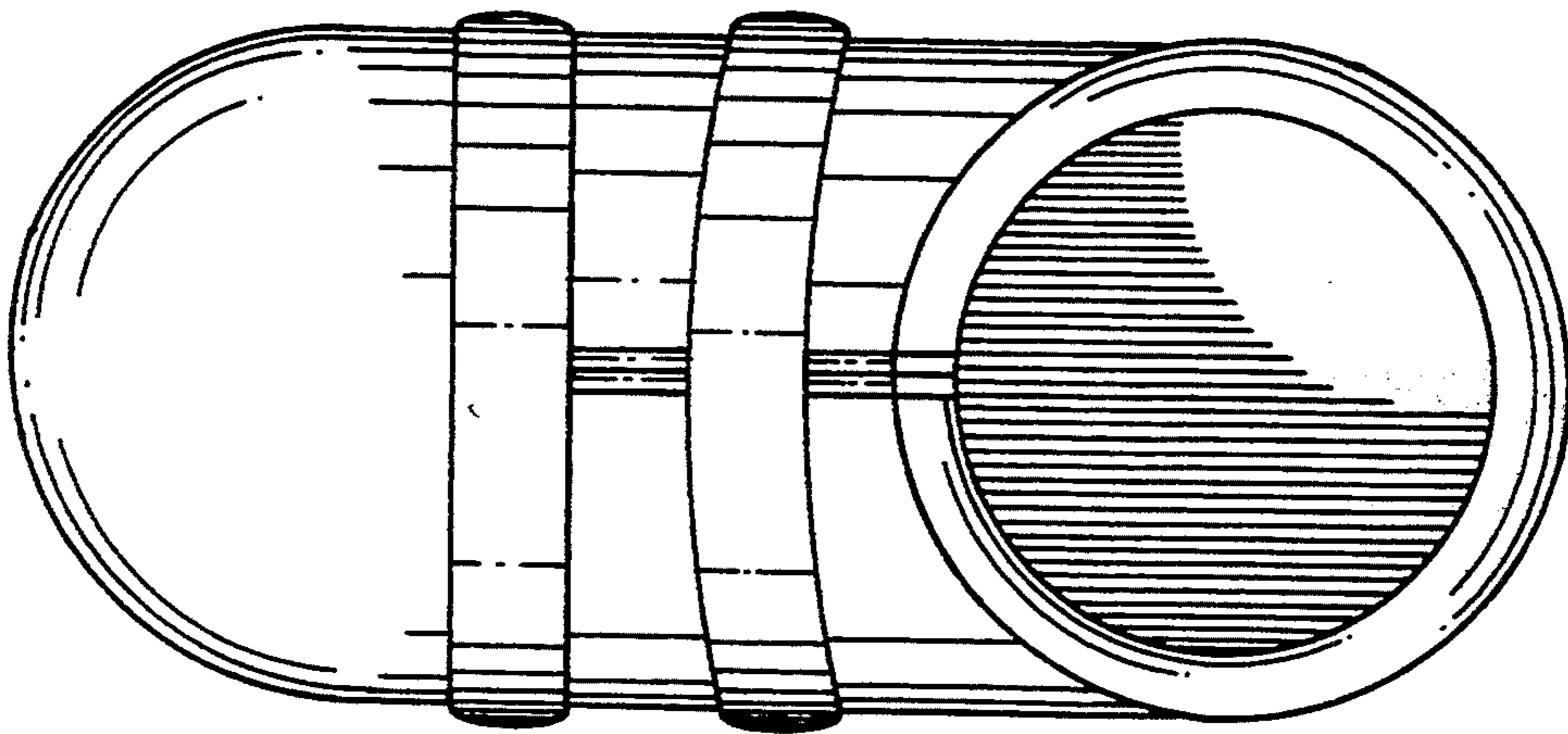


FIG. 5.

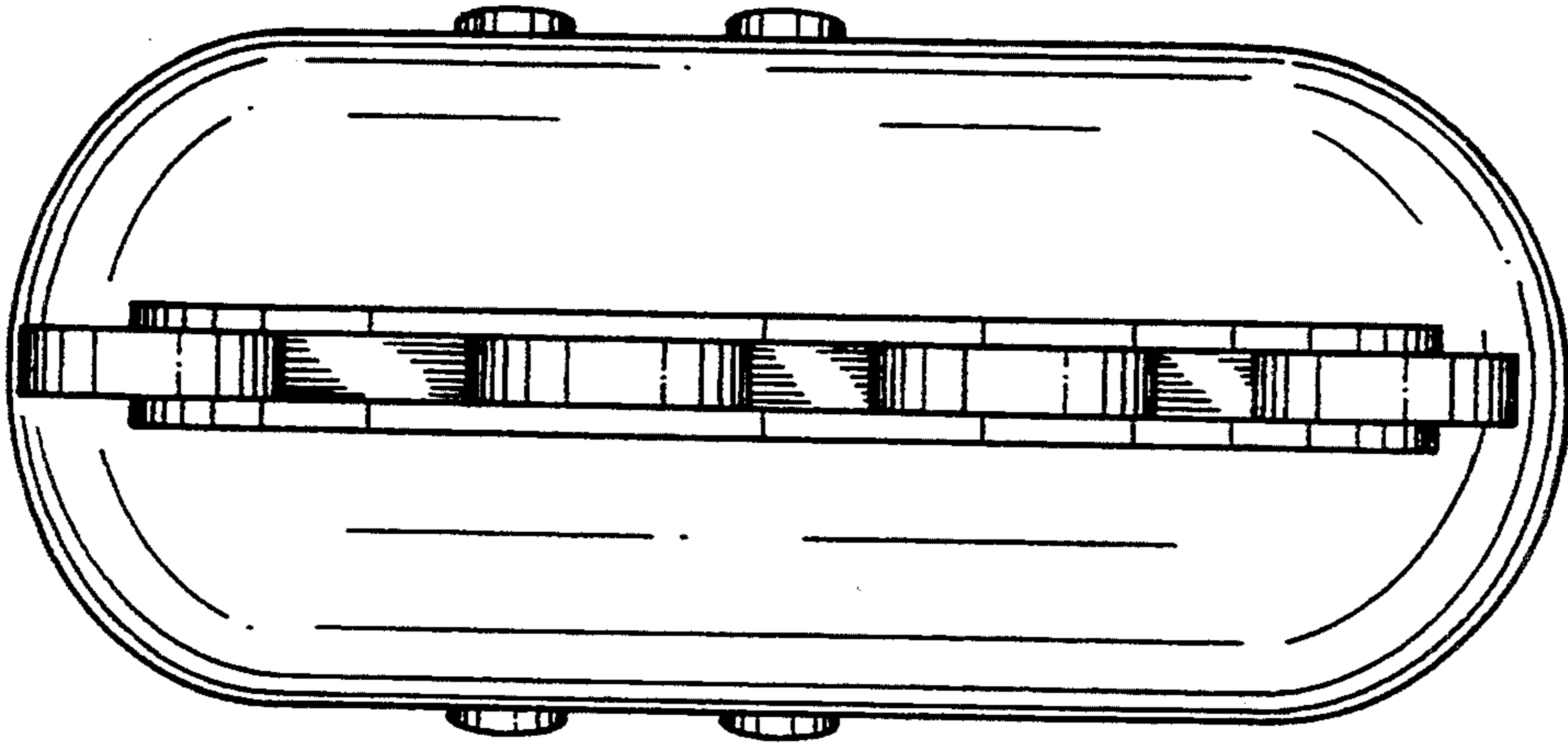


FIG. 6.