



US00D360442S

United States Patent [19]

Wilson

[11] Patent Number: **Des. 360,442**

[45] Date of Patent: **** Jul. 18, 1995**

[54] **PHYSICAL EXERCISER**

[76] Inventor: **Jerry L. Wilson, 570 NE. 53rd, Hillsboro, Oreg. 97124**

[**] Term: **14 Years**

[21] Appl. No.: **22,654**

[22] Filed: **May 10, 1994**

4,583,731 4/1986 Crivello et al. 482/138
 4,618,144 10/1986 Gibson 482/138
 5,215,511 6/1993 Cheng 482/121
 5,308,306 5/1994 Wang 482/121

Primary Examiner—Theodore M. Shooman
Assistant Examiner—Philip Hyder
Attorney, Agent, or Firm—Chernoff, Vilhauer, McClung & Stenzel

Related U.S. Application Data

[63] Continuation-in-part of Ser. No. 17,620, Jan. 18, 1994.
 [52] U.S. Cl. **D21/191**
 [58] Field of Search D21/191, 195; 482/133, 482/135, 92, 93, 72

References Cited

U.S. PATENT DOCUMENTS

D. 226,934 5/1973 Coker D21/195
 D. 329,672 9/1992 Shieh D21/195
 D. 349,140 7/1994 Rockwell D21/195

[57] CLAIM

The ornamental design for a physical exerciser, as shown and described.

DESCRIPTION

FIG. 1 is a perspective view looking from above, of a physical exerciser showing my new design;
 FIG. 2 is a right side elevation view thereof, the left side elevation view being a mirror image thereof;
 FIG. 3 is a front elevation view thereof;
 FIG. 4 is a rear elevation view thereof;
 FIG. 5 is a top plan view thereof; and,
 FIG. 6 is a bottom plan view thereof.

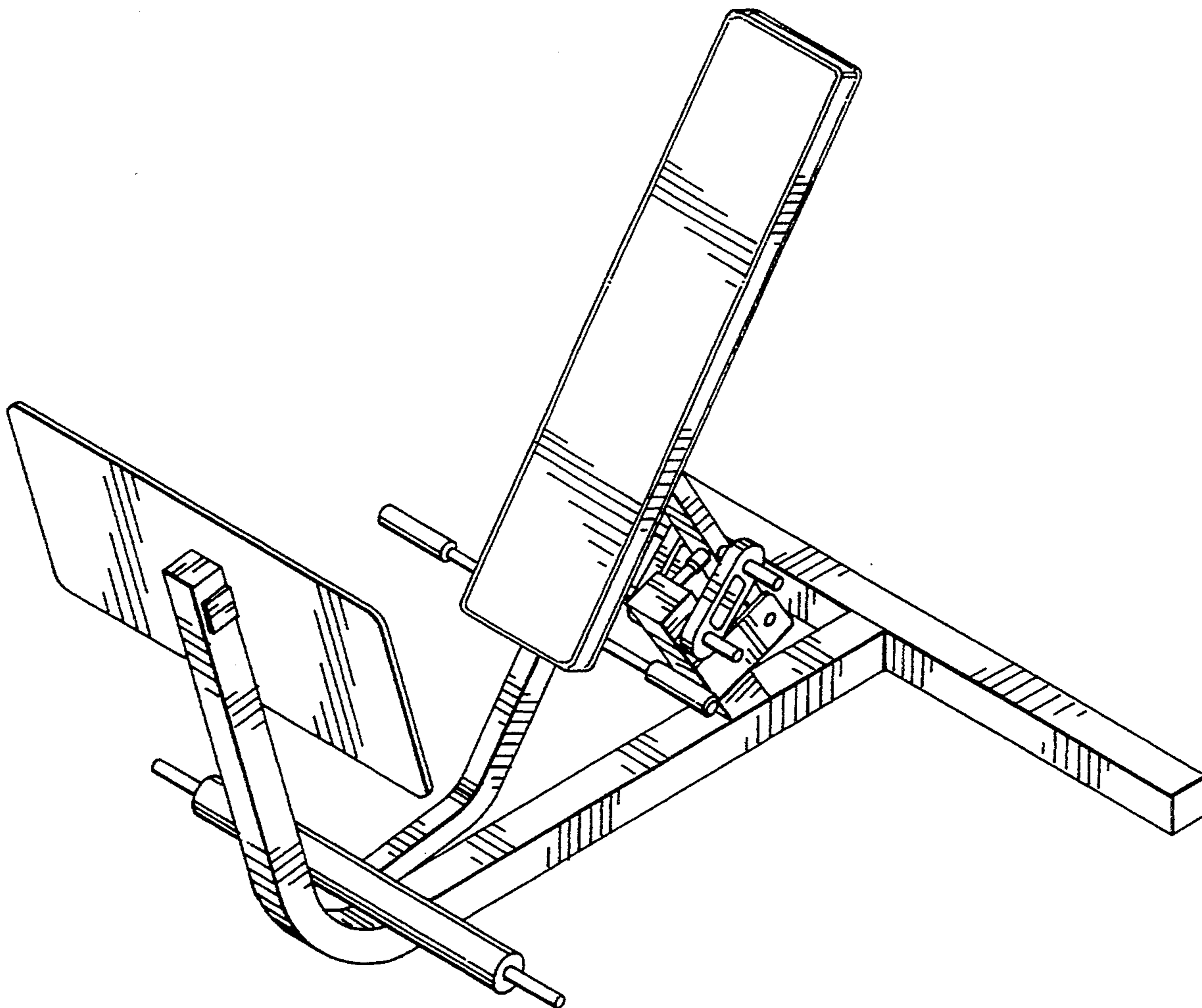


Fig.1

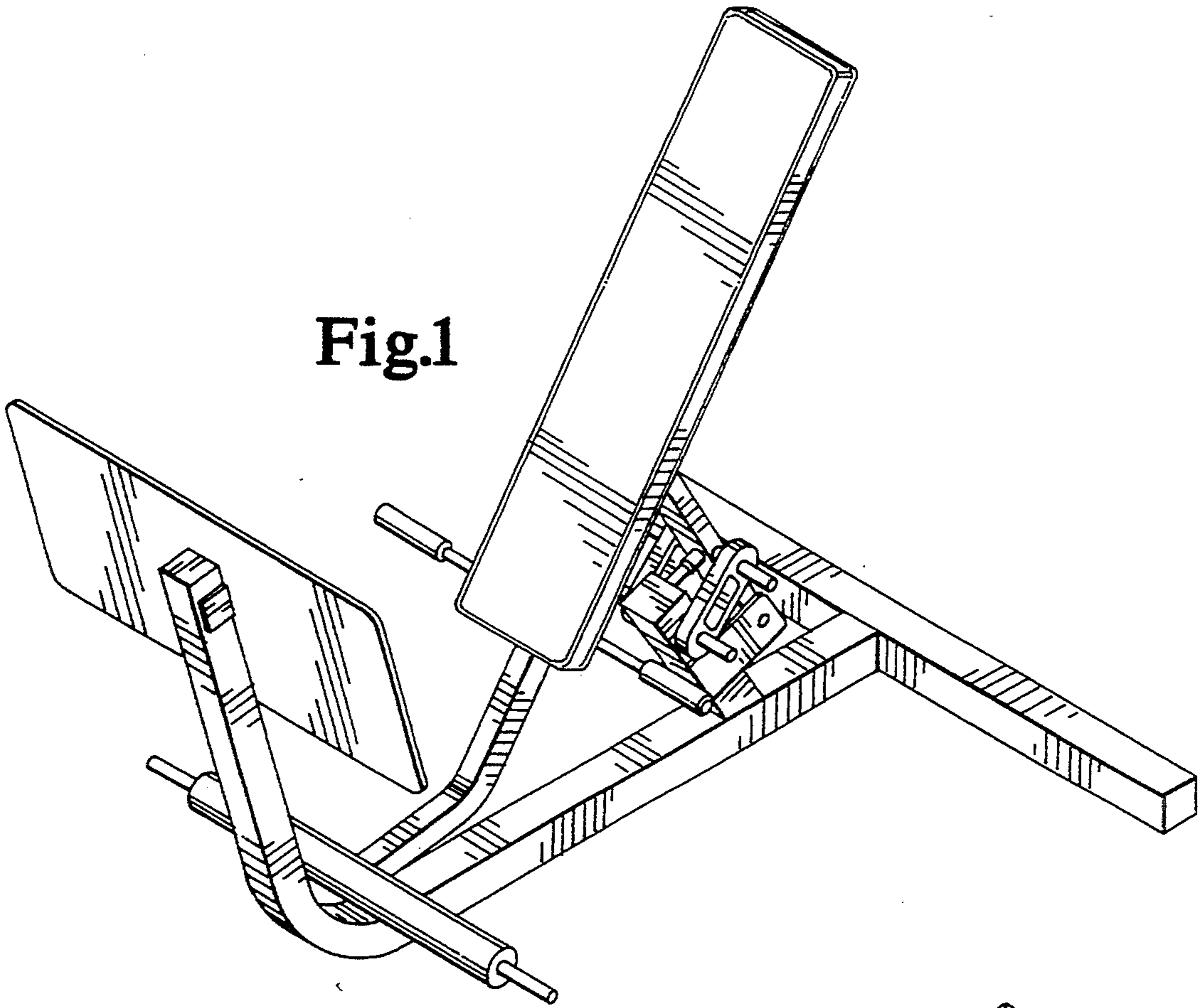
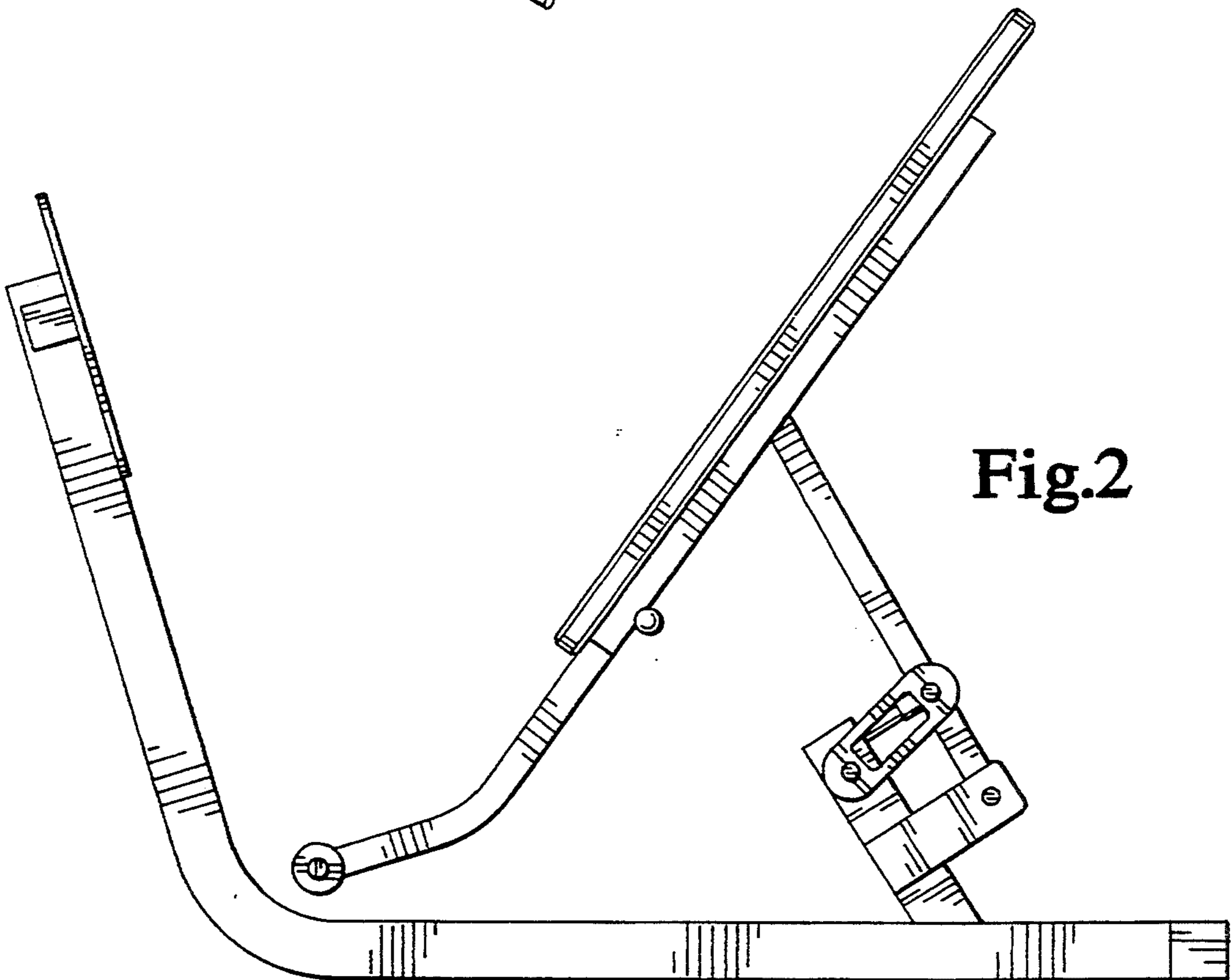


Fig.2



(1)

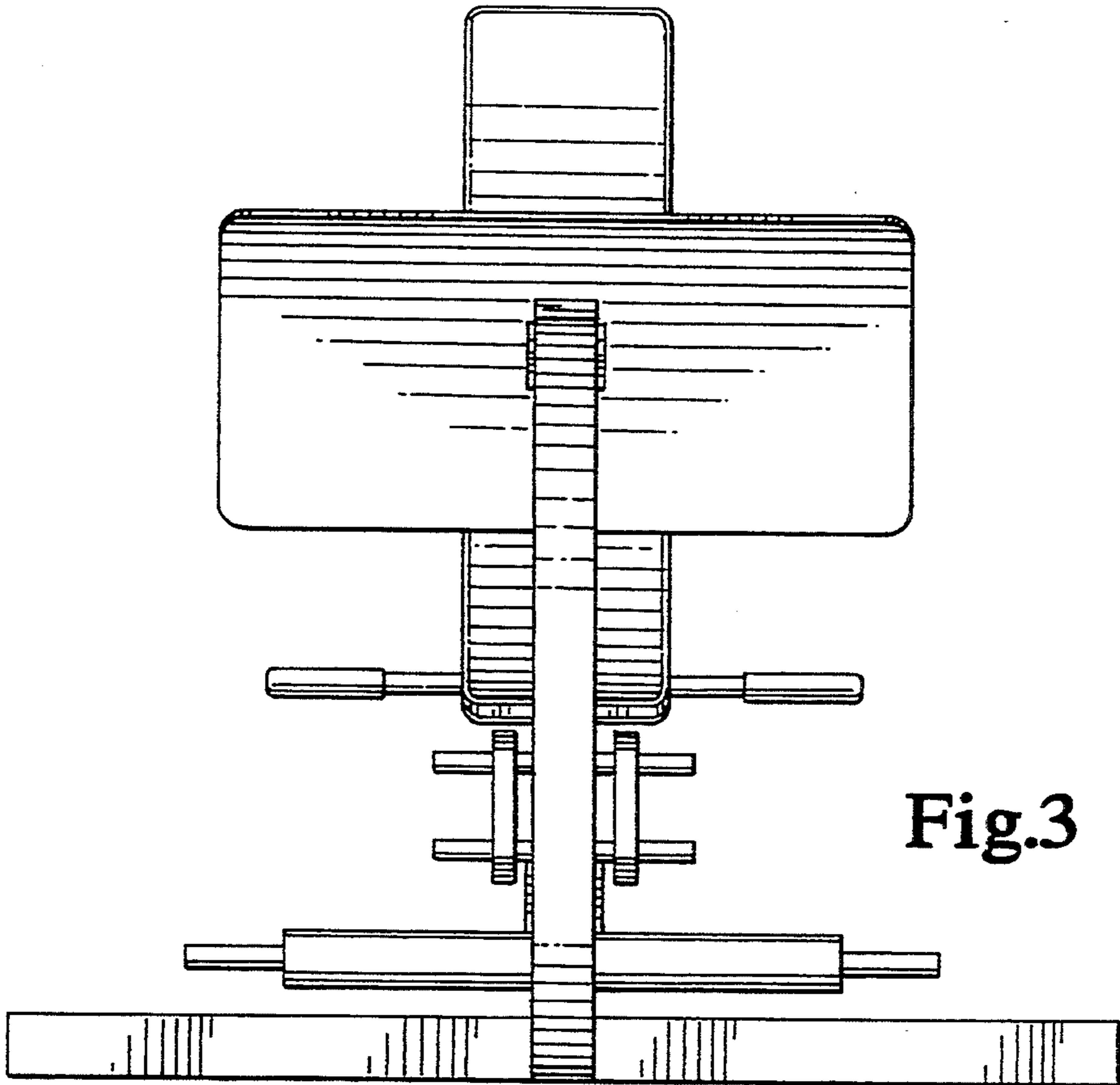


Fig.3

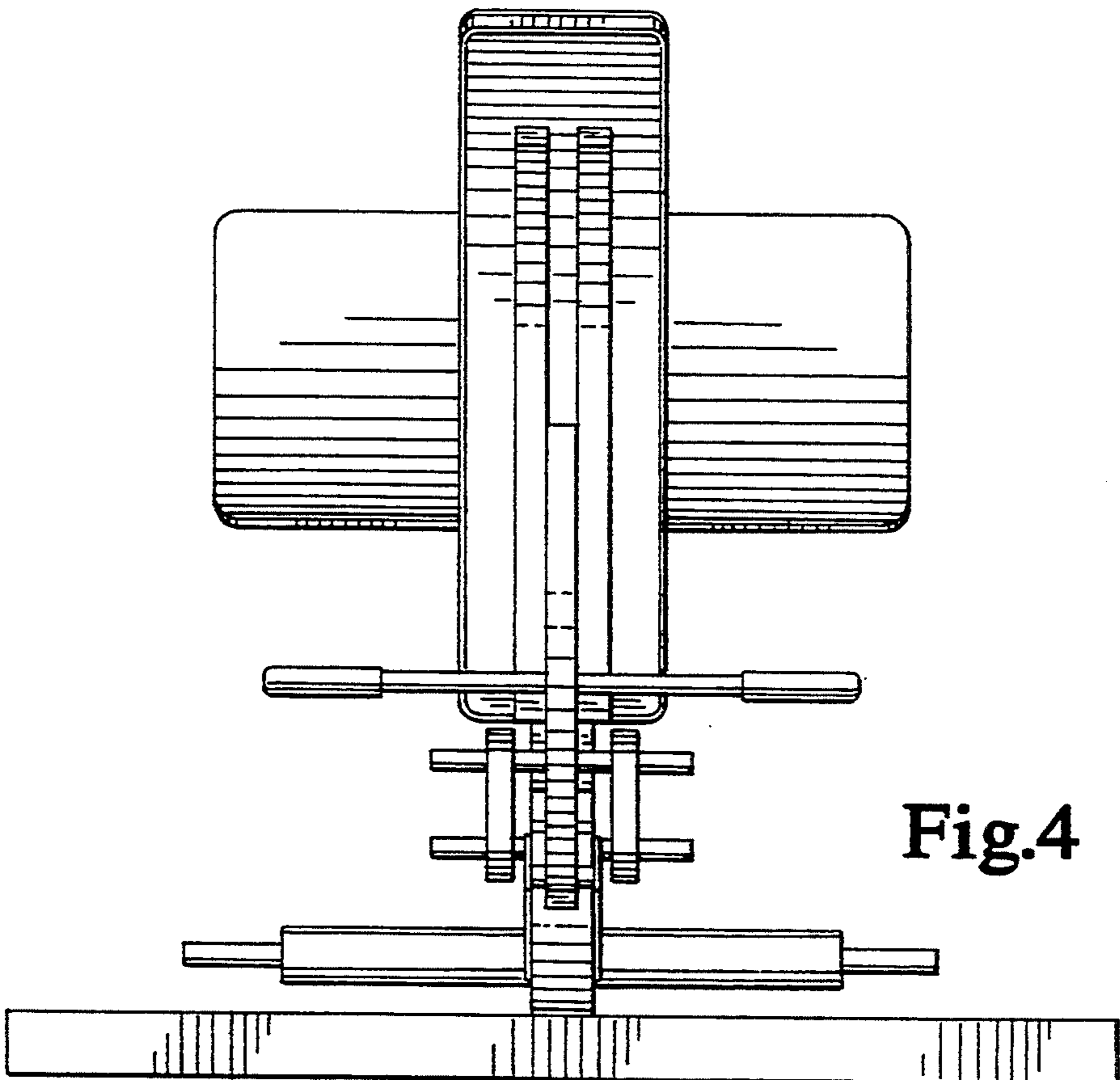


Fig.4

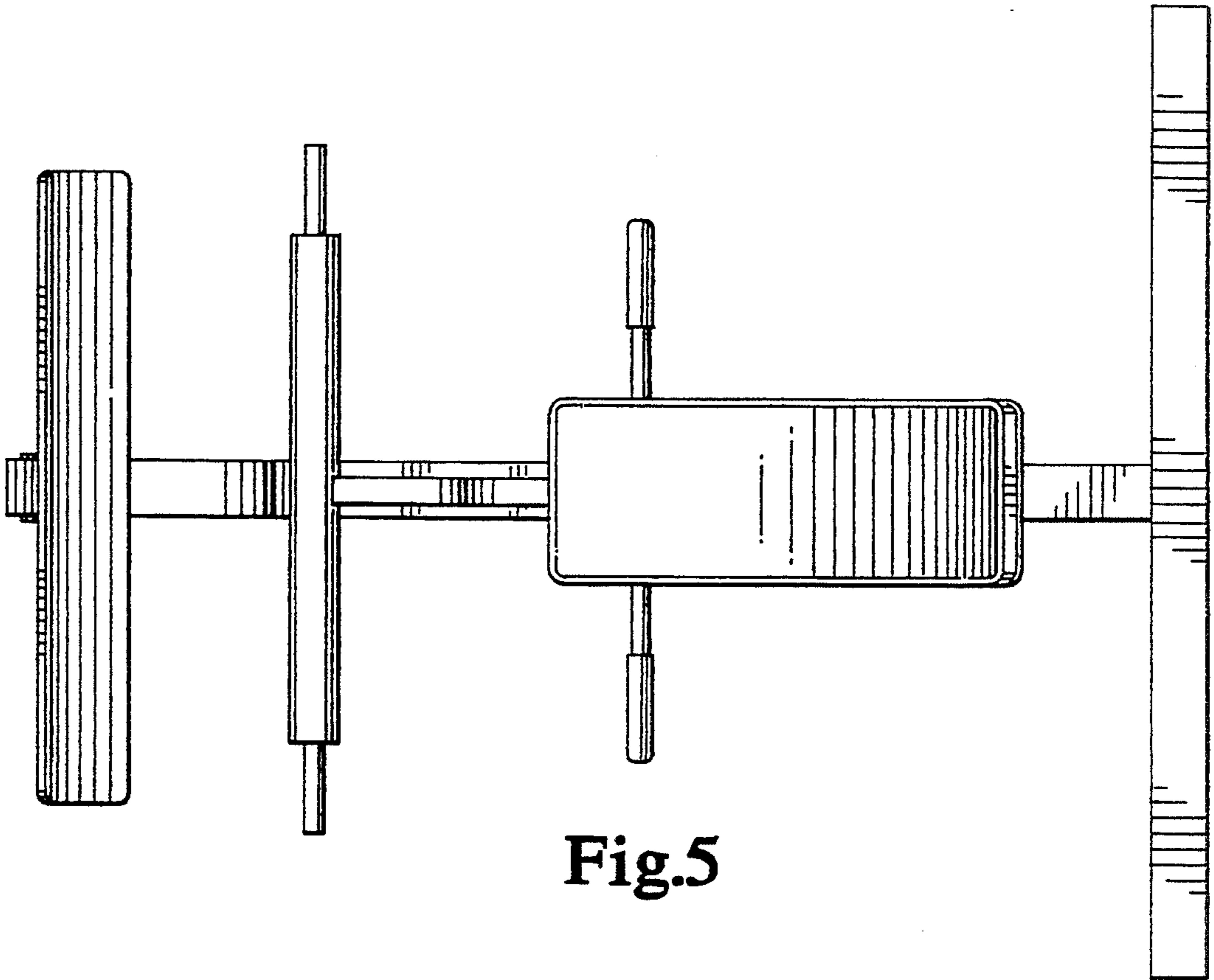


Fig.5

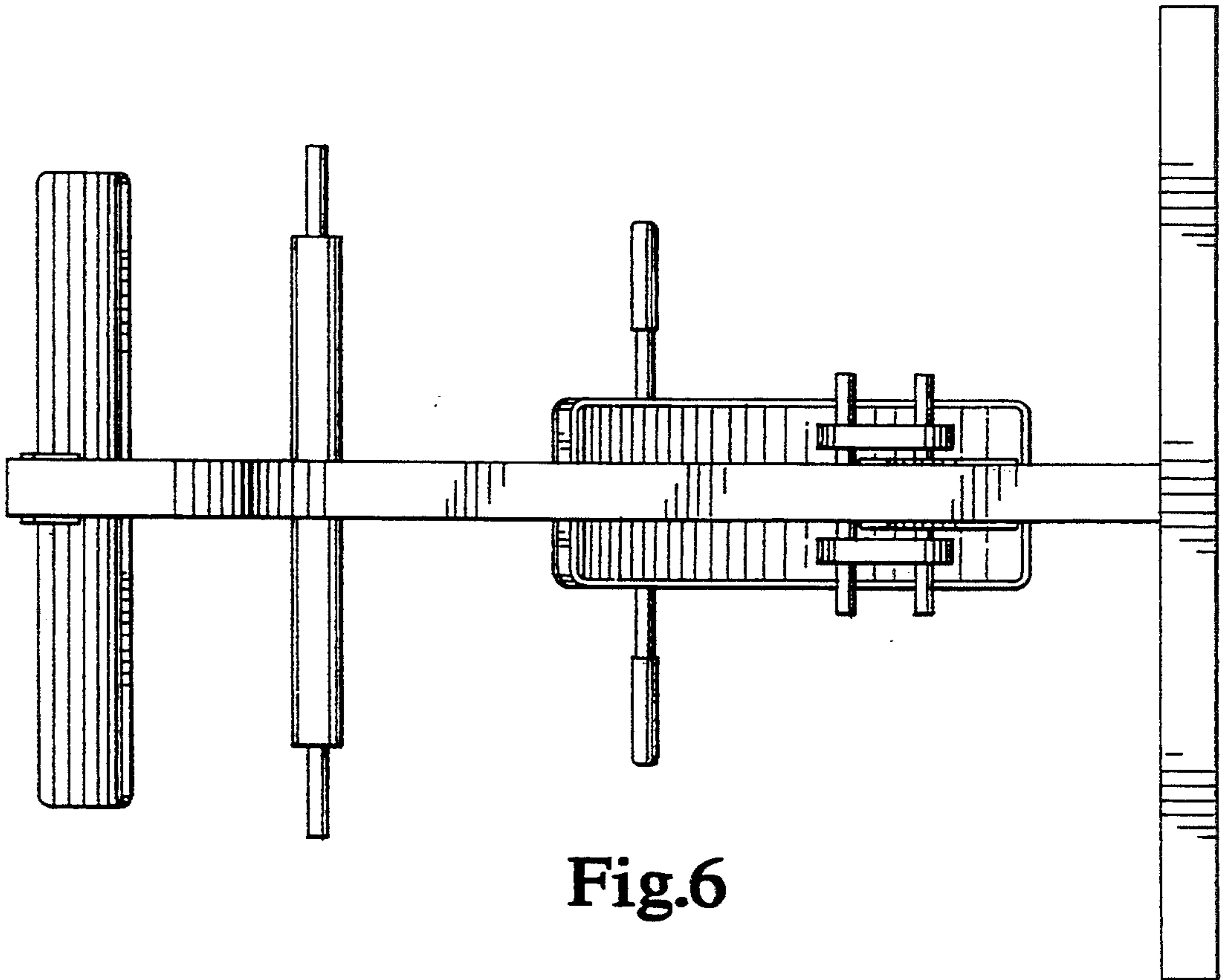


Fig.6