



US00D360439S

United States Patent [19]

[11] Patent Number: **Des. 360,439**

Lewinski

[45] Date of Patent: **** Jul. 18, 1995**

[54] TOY PROJECTILE LAUNCHER

[75] Inventor: **David P. Lewinski**, Cincinnati, Ohio

[73] Assignee: **Tonka Corporation**, Pawtucket, R.I.

[**] Term: **14 Years**

[21] Appl. No.: **22,264**

[22] Filed: **May 2, 1994**

[52] U.S. Cl. **D21/147**

[58] Field of Search **D21/3, 13, 127, 145-147; D22/100, 103, 113; D23/223-227; 222/78, 79; 446/28, 175, 267, 473; 239/211, 329, 332, 337, 373; 127/21, 27, 56, 65-67; D14/116**

[56] References Cited

U.S. PATENT DOCUMENTS

D. 159,040	6/1950	Bicos	D21/146
D. 197,848	3/1964	Parker et al.	D21/146
D. 198,270	5/1964	Bloom	D21/146
D. 206,670	1/1967	Hirsch	D21/146
D. 303,417	9/1989	La Violette	D22/103
D. 304,062	10/1989	Barrett	D22/103

2,051,564	8/1936	Marra et al.	D21/146
2,077,763	4/1937	Lefever	D21/146
4,848,307	7/1989	Tsao	124/66

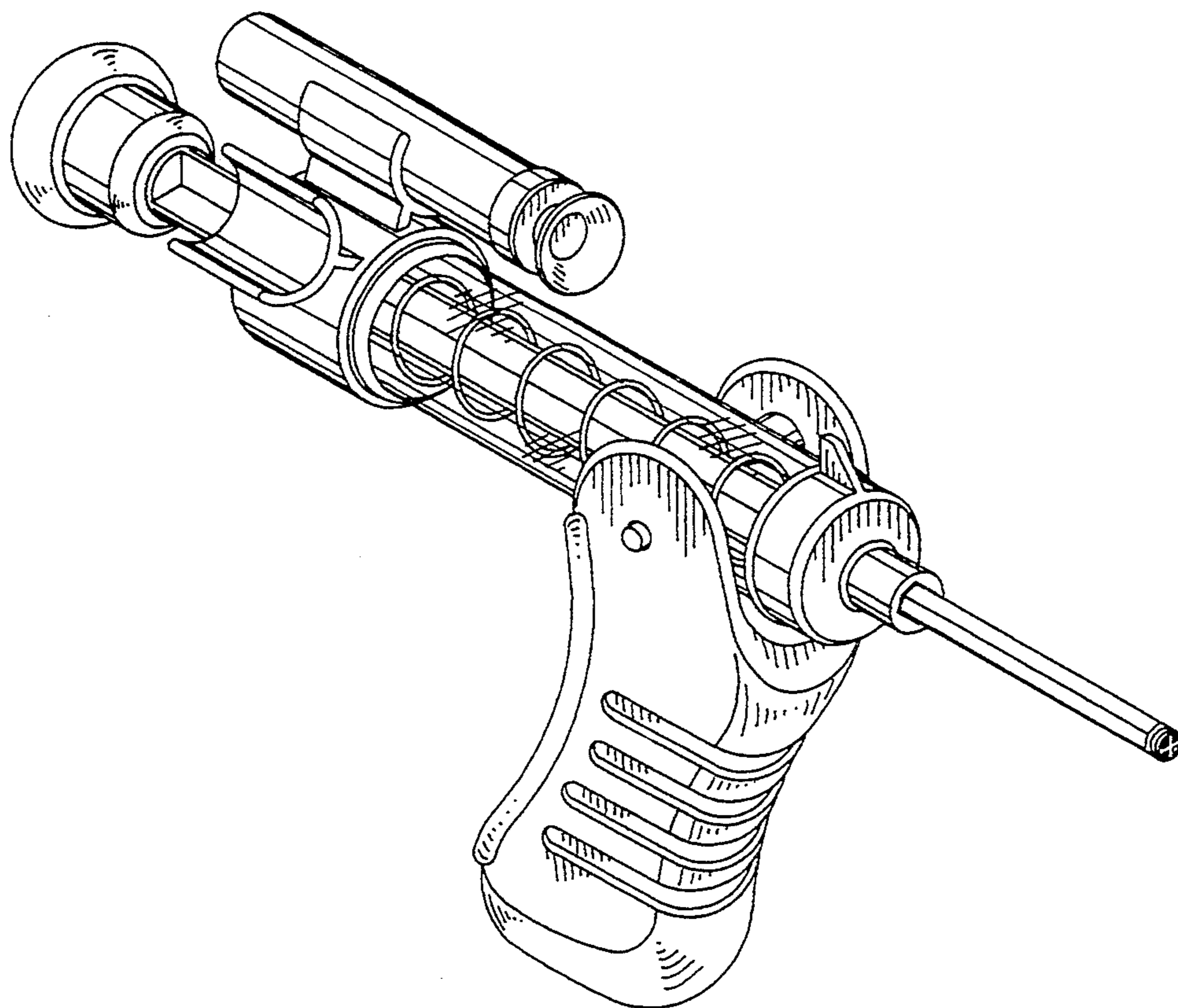
Primary Examiner—Terry A. Wallace
Assistant Examiner—R. Barkai
Attorney, Agent, or Firm—Kurt R. Benson

[57] CLAIM

The ornamental design for a toy projectile launcher, as shown and described.

DESCRIPTION

FIG. 1 is a perspective view of a toy projectile launcher embodying my new design;
FIG. 2 is a right side elevational view thereof;
FIG. 3 is a left side elevational view thereof;
FIG. 4 is a top plan view thereof;
FIG. 5 is a bottom plan view thereof;
FIG. 6 is a front elevational view thereof;
FIG. 7 is a rear elevational view thereof;
FIG. 8 is a perspective view thereof in a collapsed position; and,
FIG. 9 is a perspective view thereof in a cocked and loaded position.



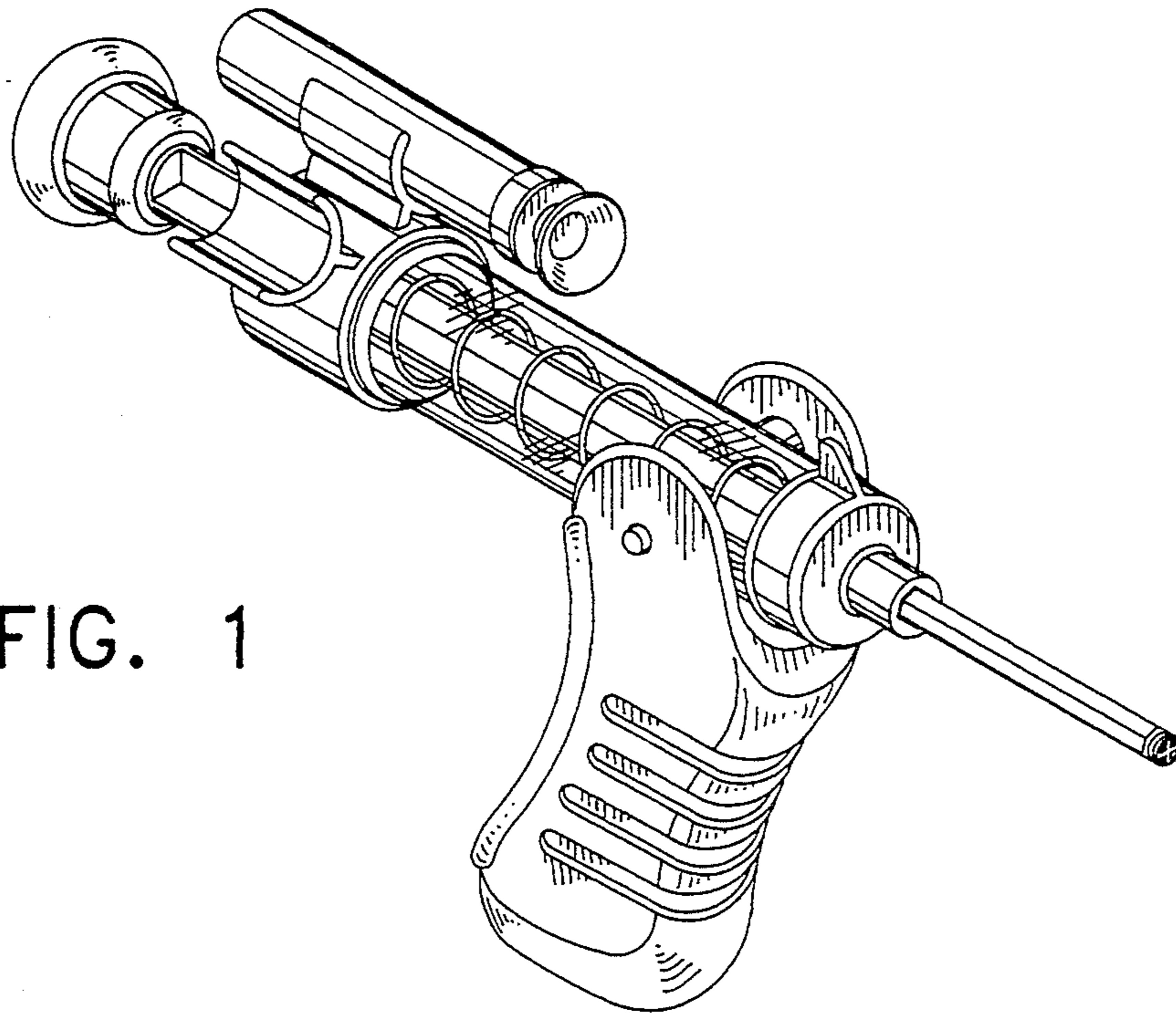


FIG. 1

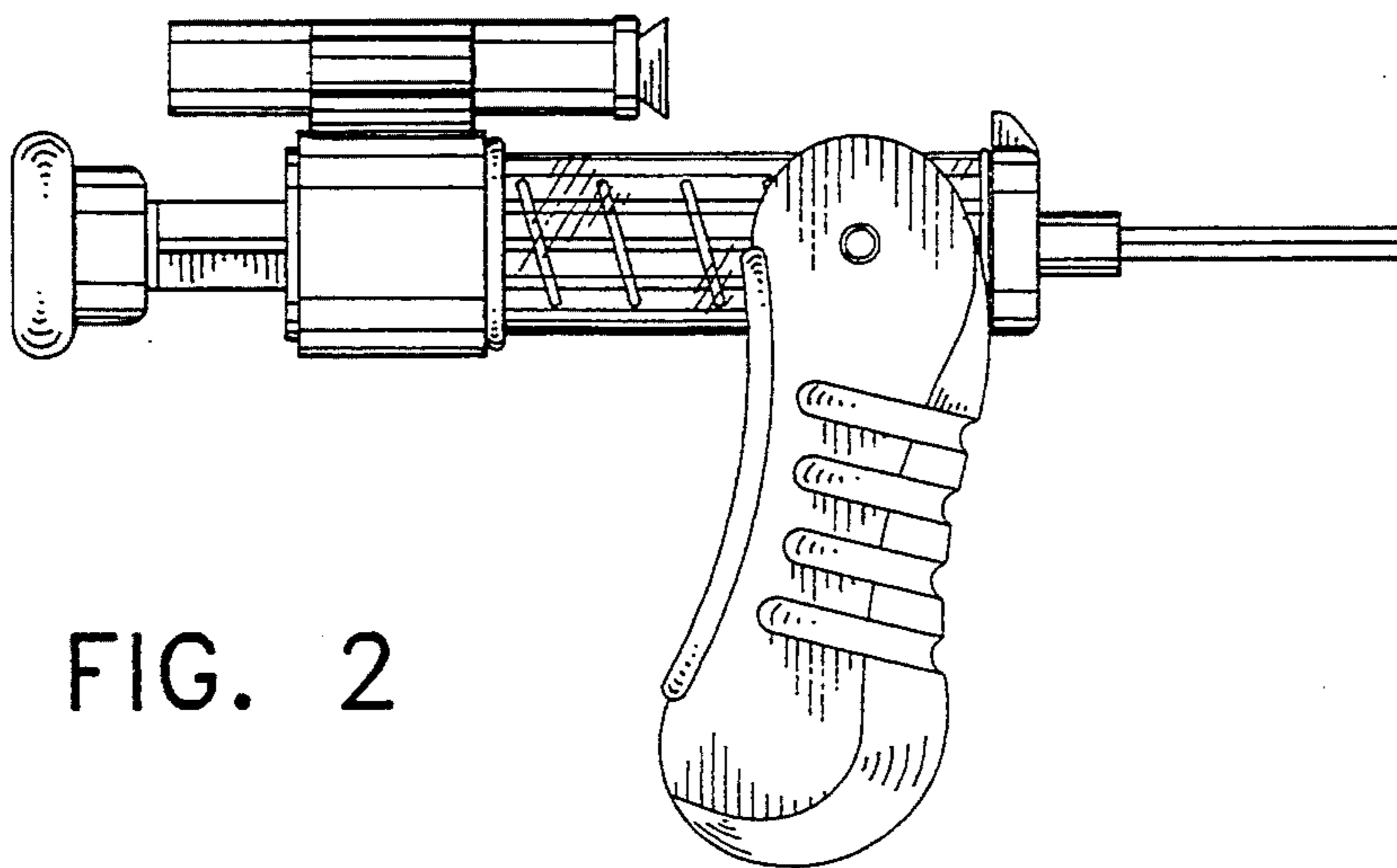


FIG. 2

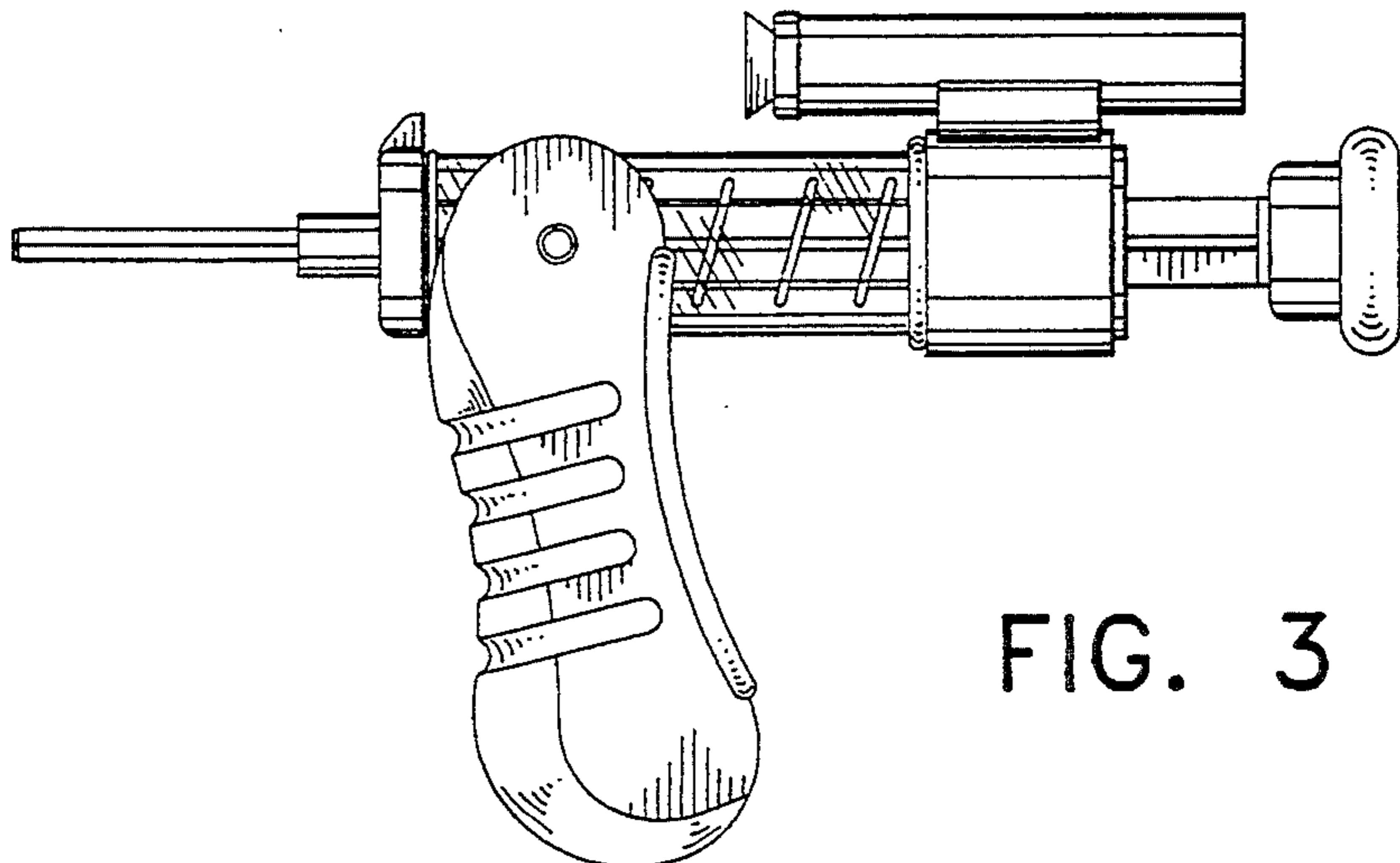


FIG. 3

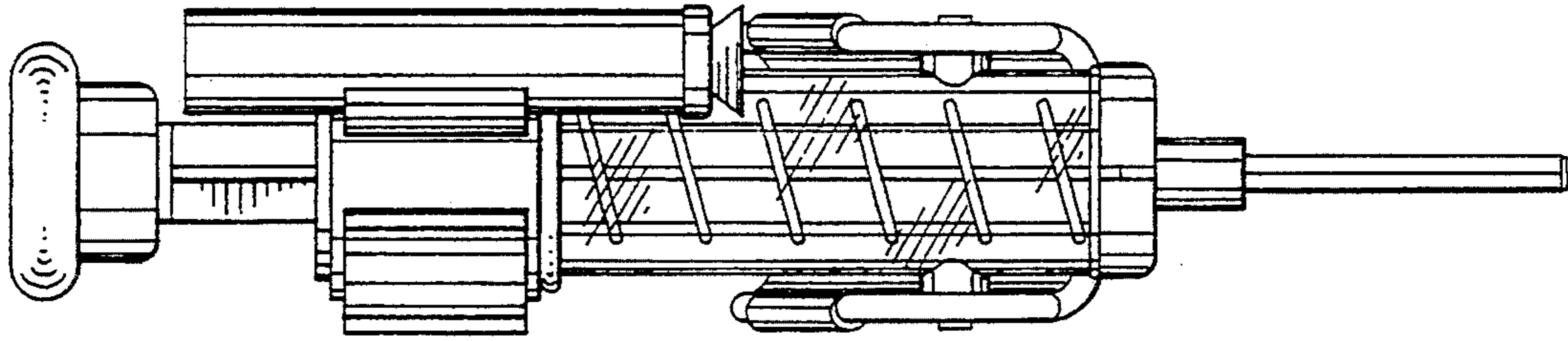


FIG. 4

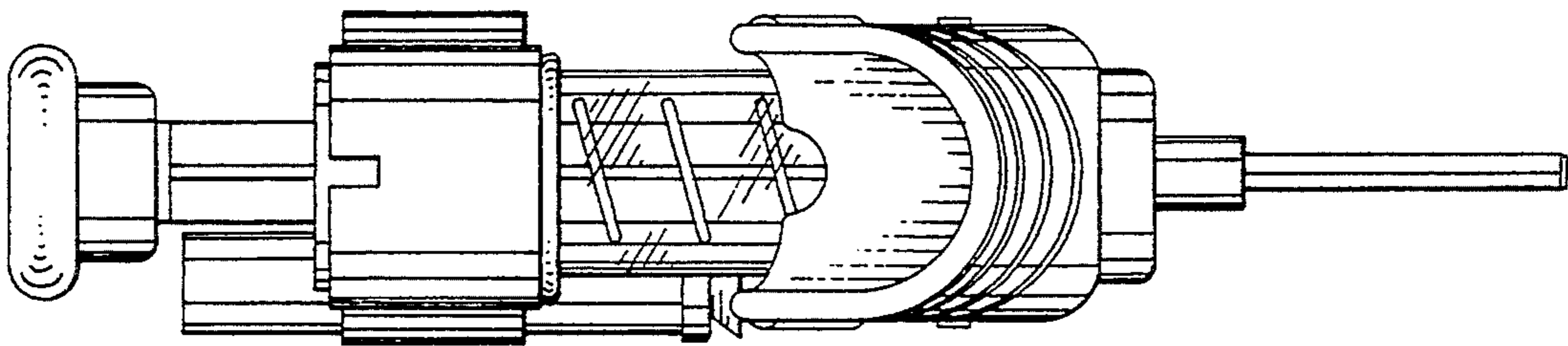


FIG. 5

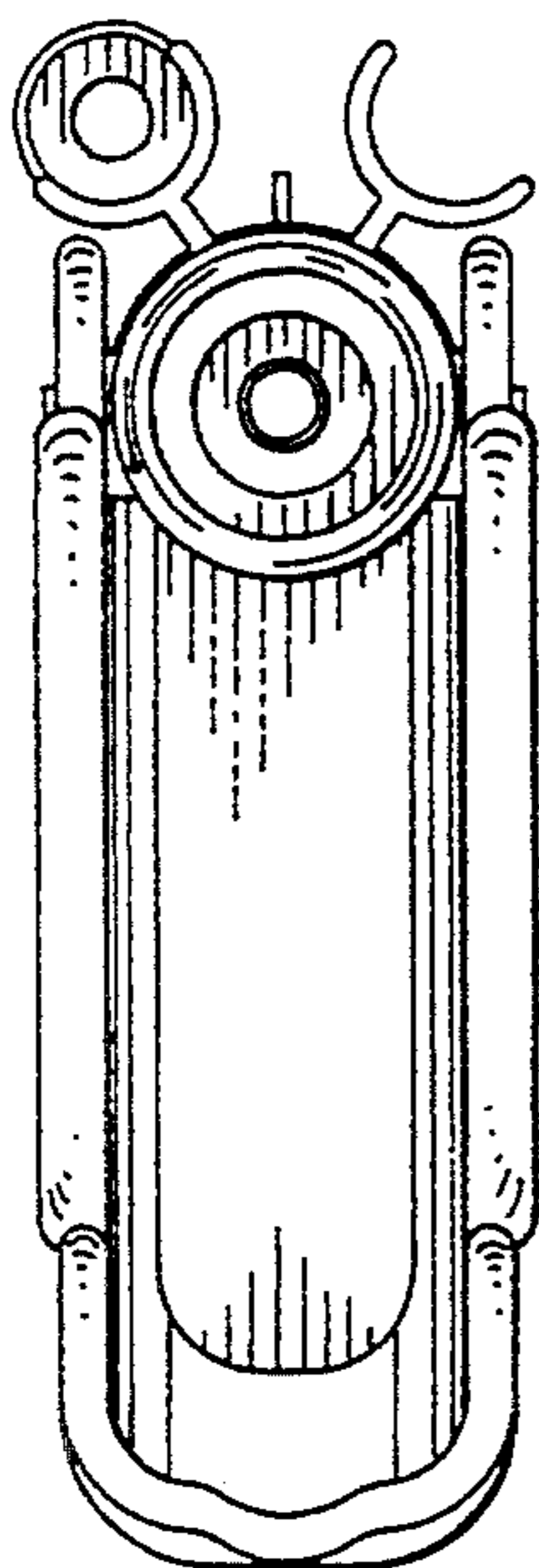


FIG. 7

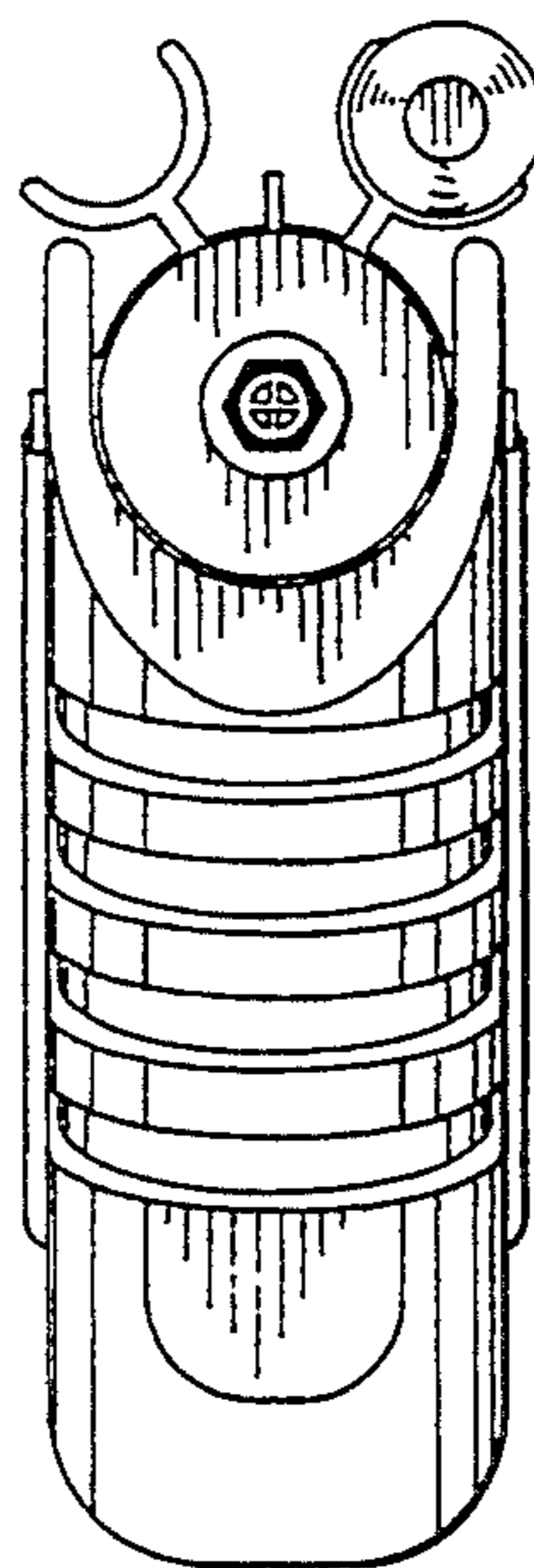


FIG. 6

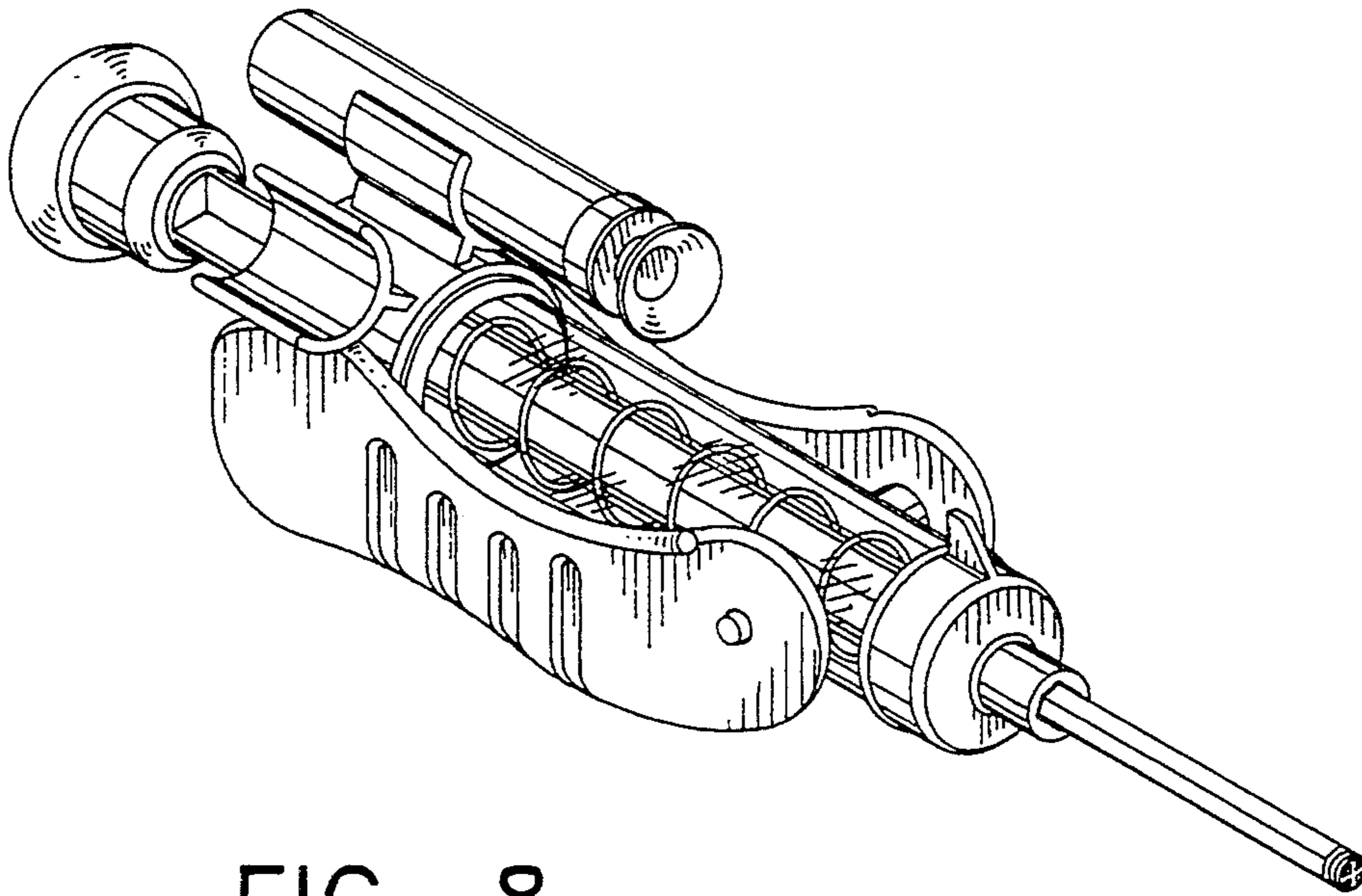


FIG. 8

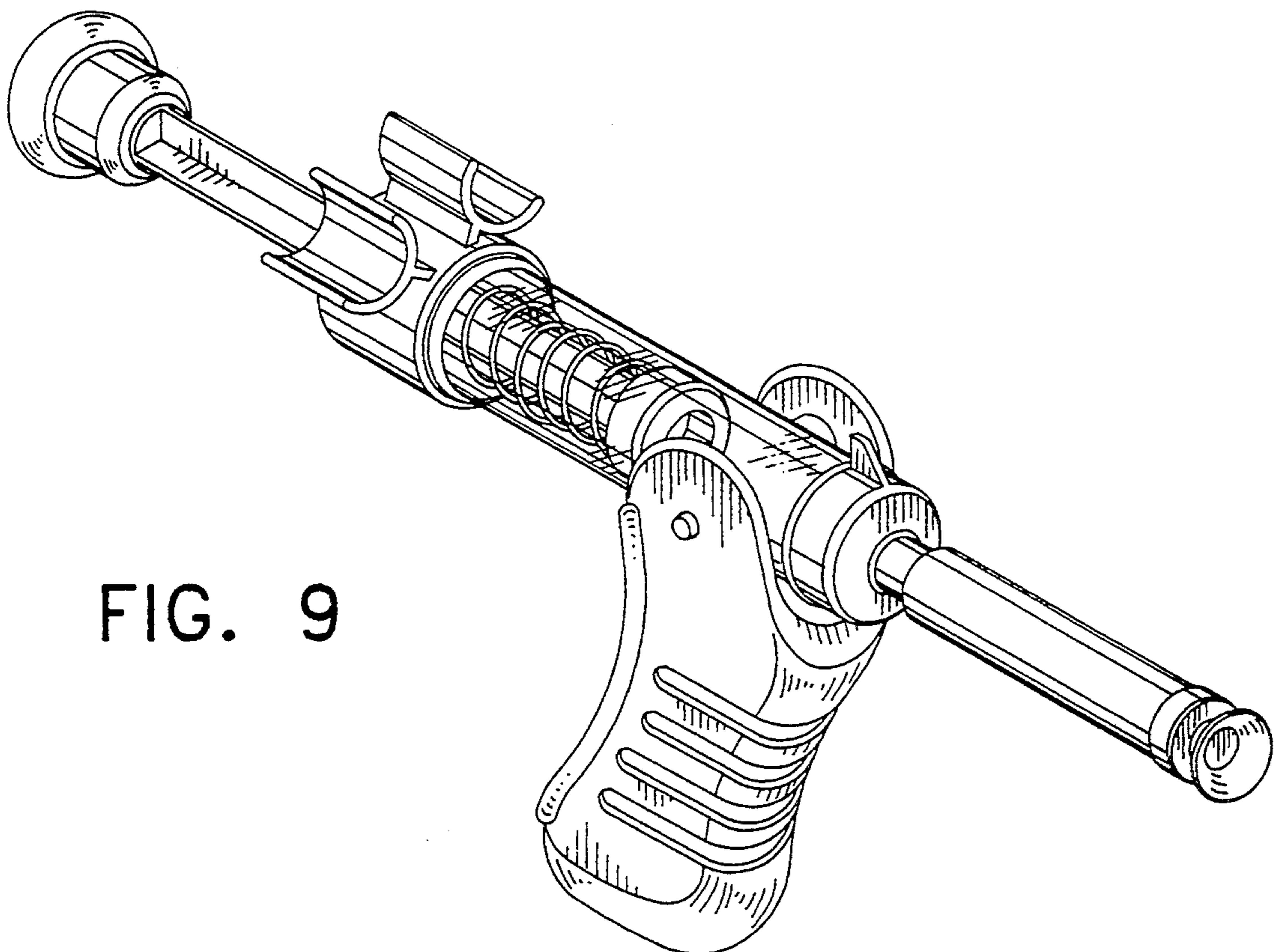


FIG. 9