



US00D360438S

# United States Patent [19]

[11] Patent Number: **Des. 360,438**

Foster et al.

[45] Date of Patent: **\*\* Jul. 18, 1995**

[54] TOY MOTOR HOUSING

[75] Inventors: **George T. Foster**, Signal Hill; **Elliot Rudell**, Torrance; **Richard P. Kamrath**, Lomita, all of Calif.

[73] Assignee: **Elliot A. Rudell**, Torrance, Calif.

[\*\*] Term: **14 Years**

[21] Appl. No.: **15,216**

[22] Filed: **Nov. 10, 1993**

[52] U.S. Cl. .... **D21/125**

[58] Field of Search ..... **D21/109, 124, 125, 141, D21/136-137, 78; D15/3; 446/16, 93, 457, 463, 470, 471**

D. 330,897 11/1992 Carlson et al. .... D15/3  
 4,878,877 11/1989 Auer et al. .... 446/463  
 4,889,516 12/1989 Auer et al. .... 446/470  
 5,090,934 2/1992 Quercetti ..... 446/93  
 5,366,402 11/1994 Rudell et al. .... 446/16

*Primary Examiner*—Theodore M. Shooman  
*Assistant Examiner*—R. Barkai  
*Attorney, Agent, or Firm*—Blakely, Sokoloff, Taylor & Zafman

### [57] CLAIM

The ornamental design for a toy motor housing, as shown.

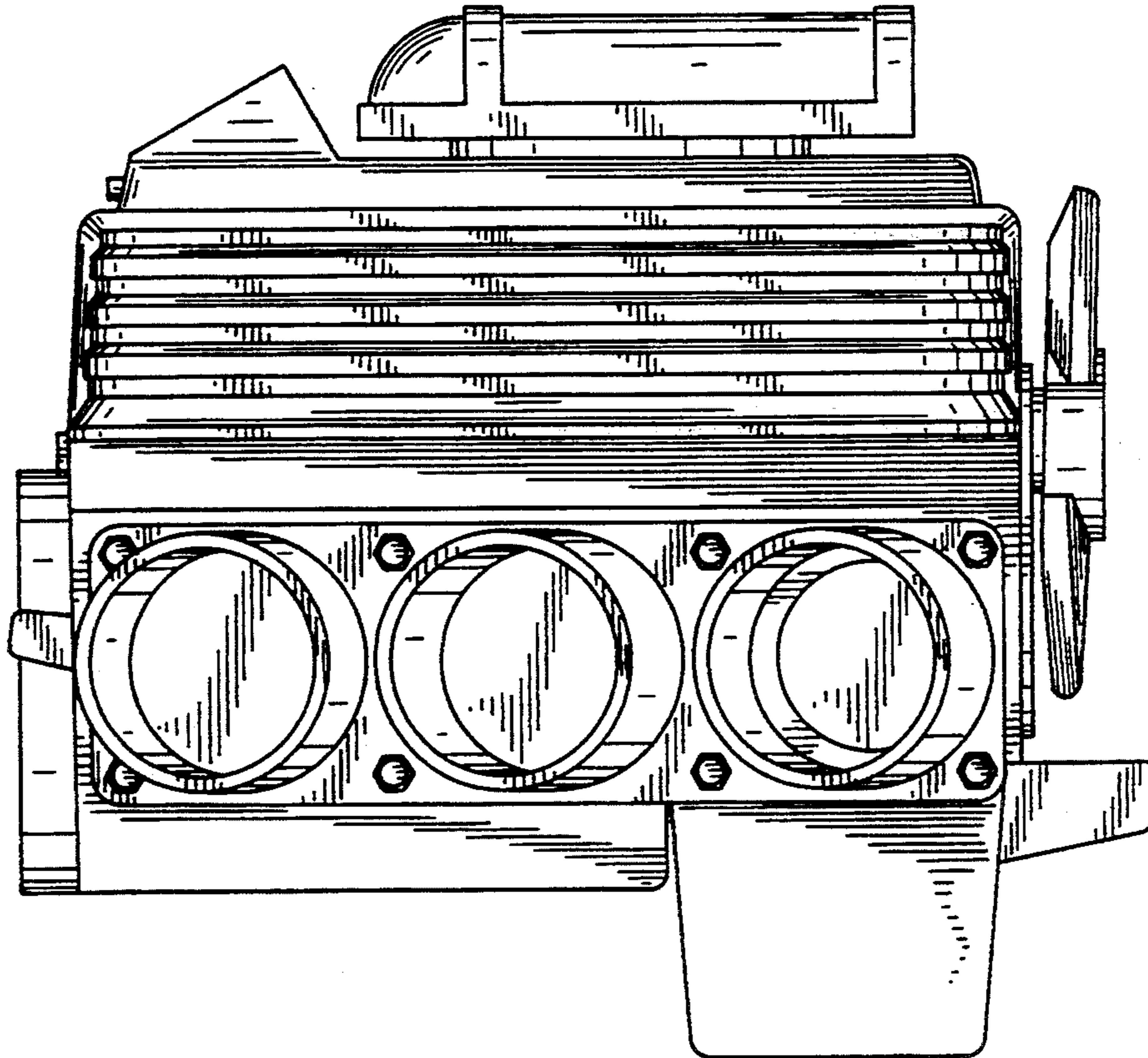
### DESCRIPTION

FIG. 1 is a front elevational view of a toy motor housing of the present invention;  
 FIG. 2 is a rear elevational view of FIG. 1;  
 FIG. 3 is a left side view of FIG. 1;  
 FIG. 4 is a top plane view of FIG. 1;  
 FIG. 5 is a right side view of FIG. 1; and,  
 FIG. 6 is a bottom plane view of FIG. 1.

### [56] References Cited

#### U.S. PATENT DOCUMENTS

D. 217,272 4/1970 Genin ..... D21/125  
 D. 264,107 4/1982 Orenstein ..... D21/137  
 D. 277,485 2/1985 Iwakura et al. .... D15/3  
 D. 278,163 3/1985 Carignan et al. .... D21/125



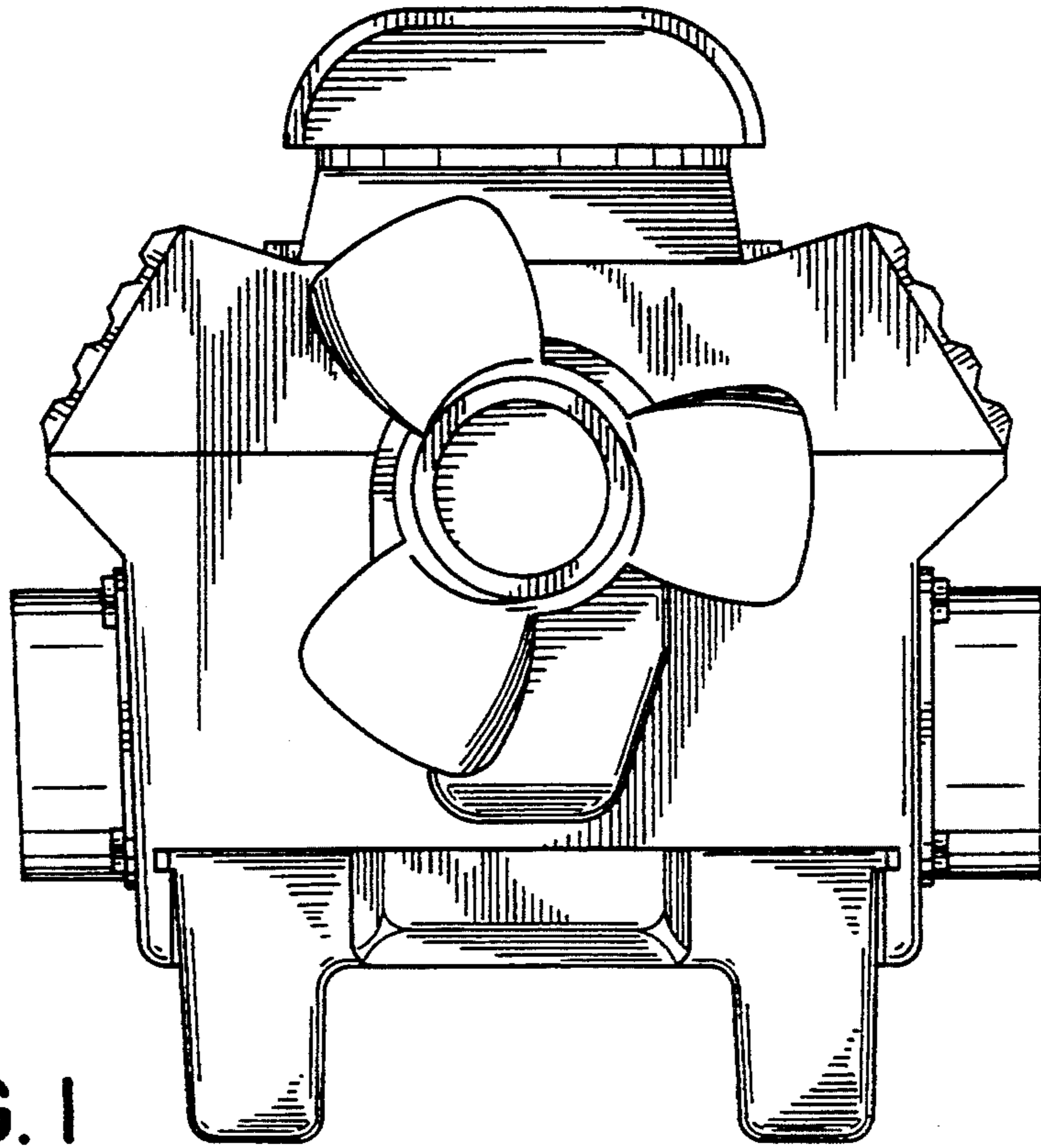


FIG. 1

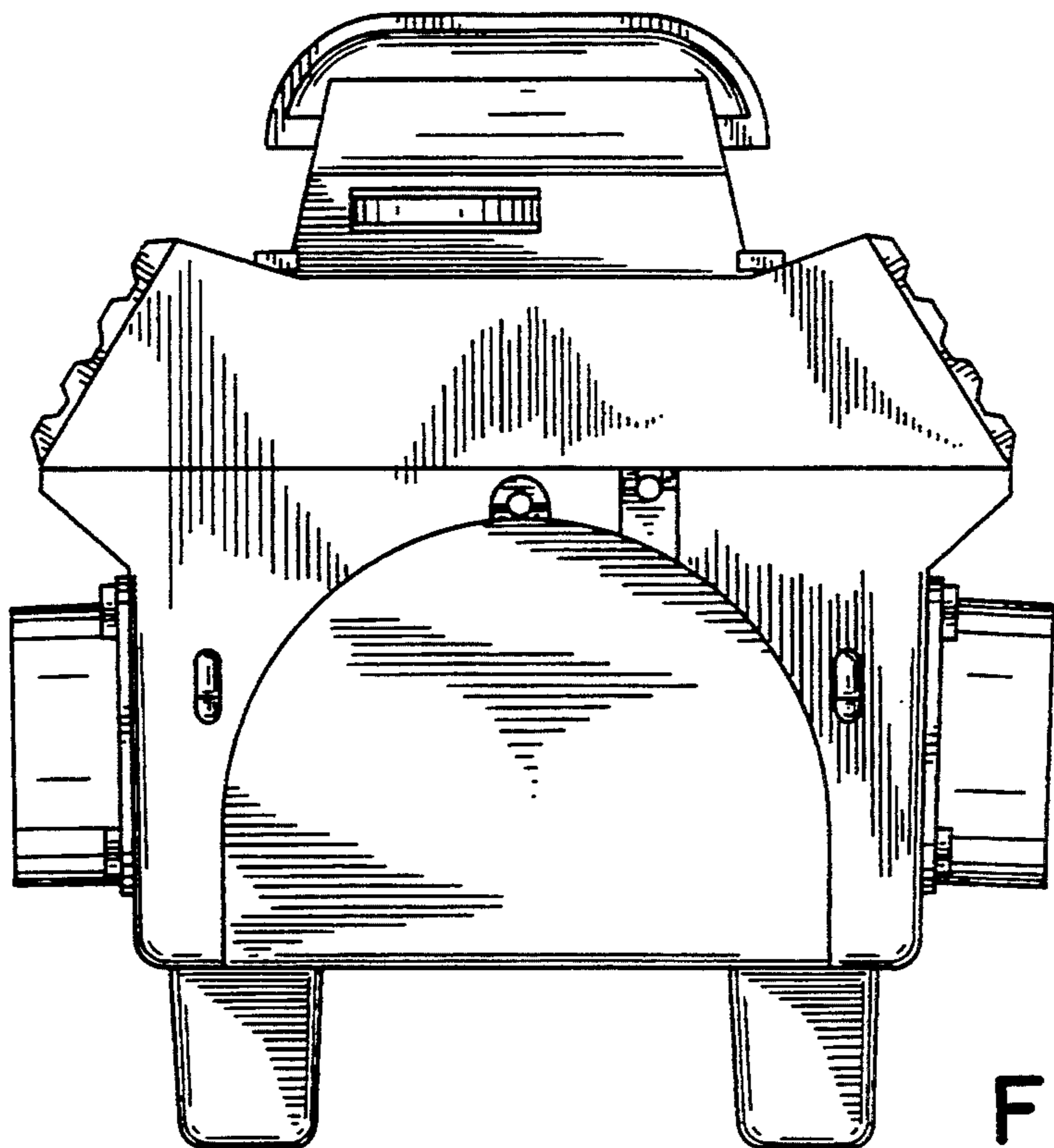


FIG. 2

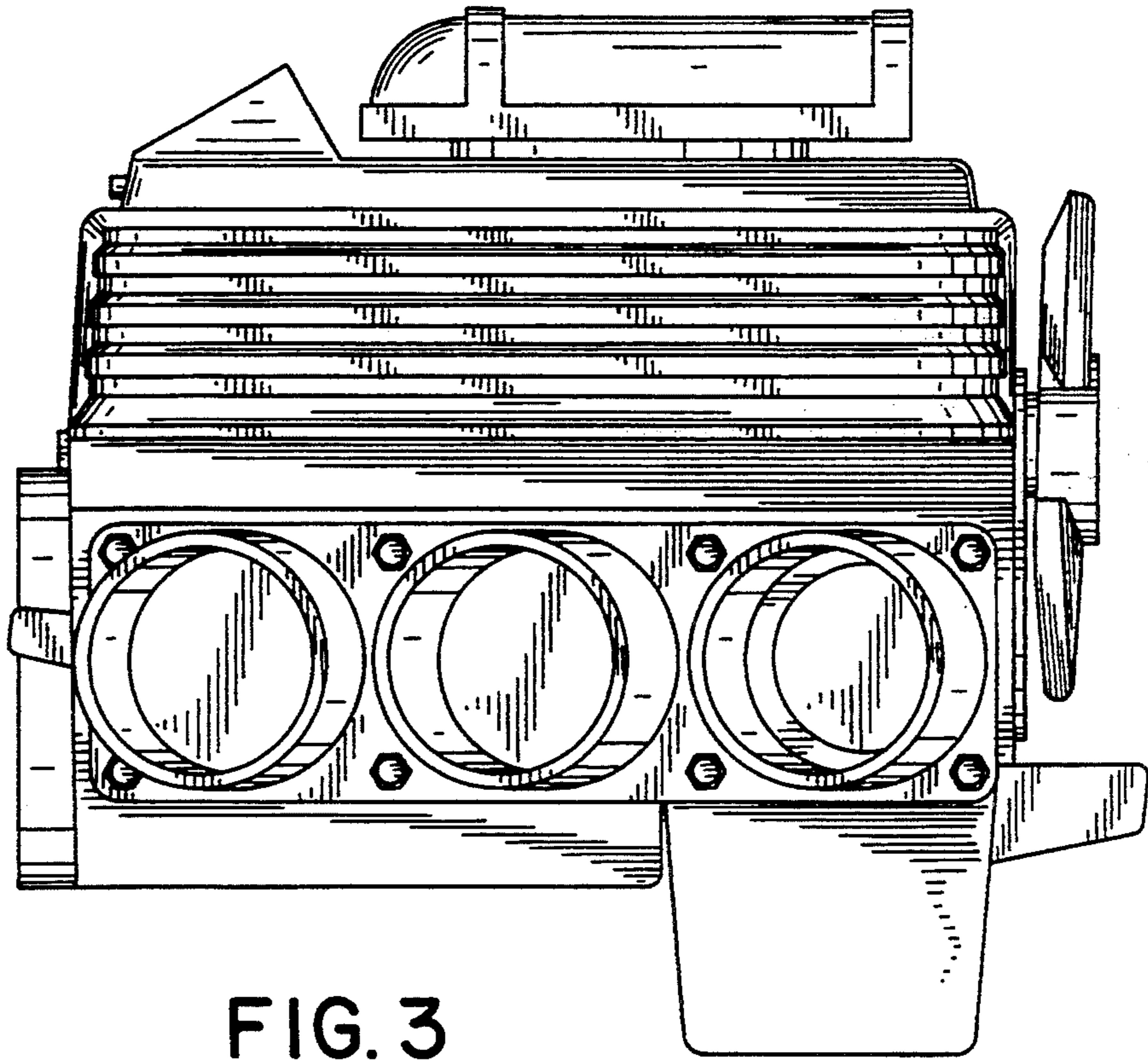


FIG. 3

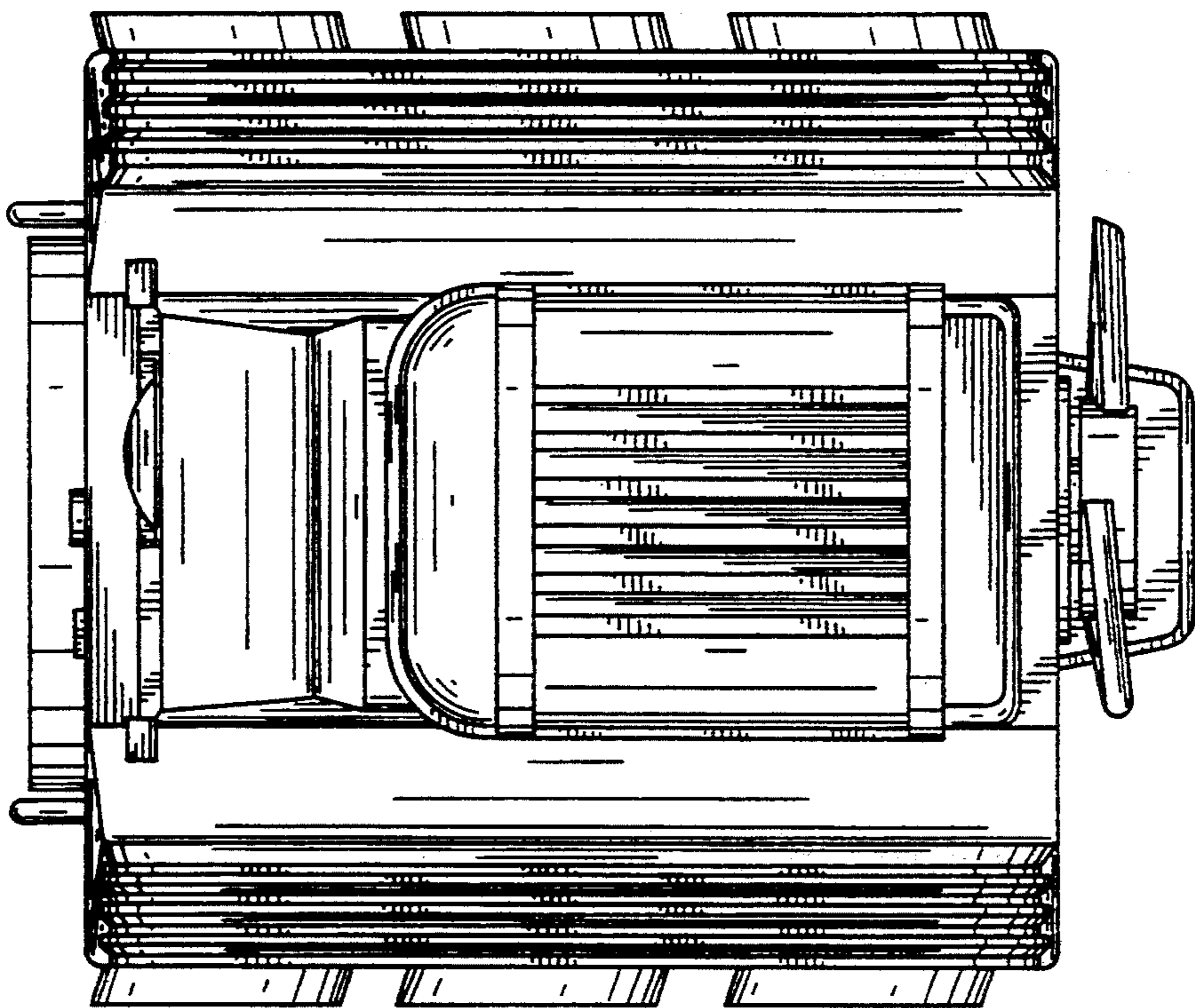


FIG. 4

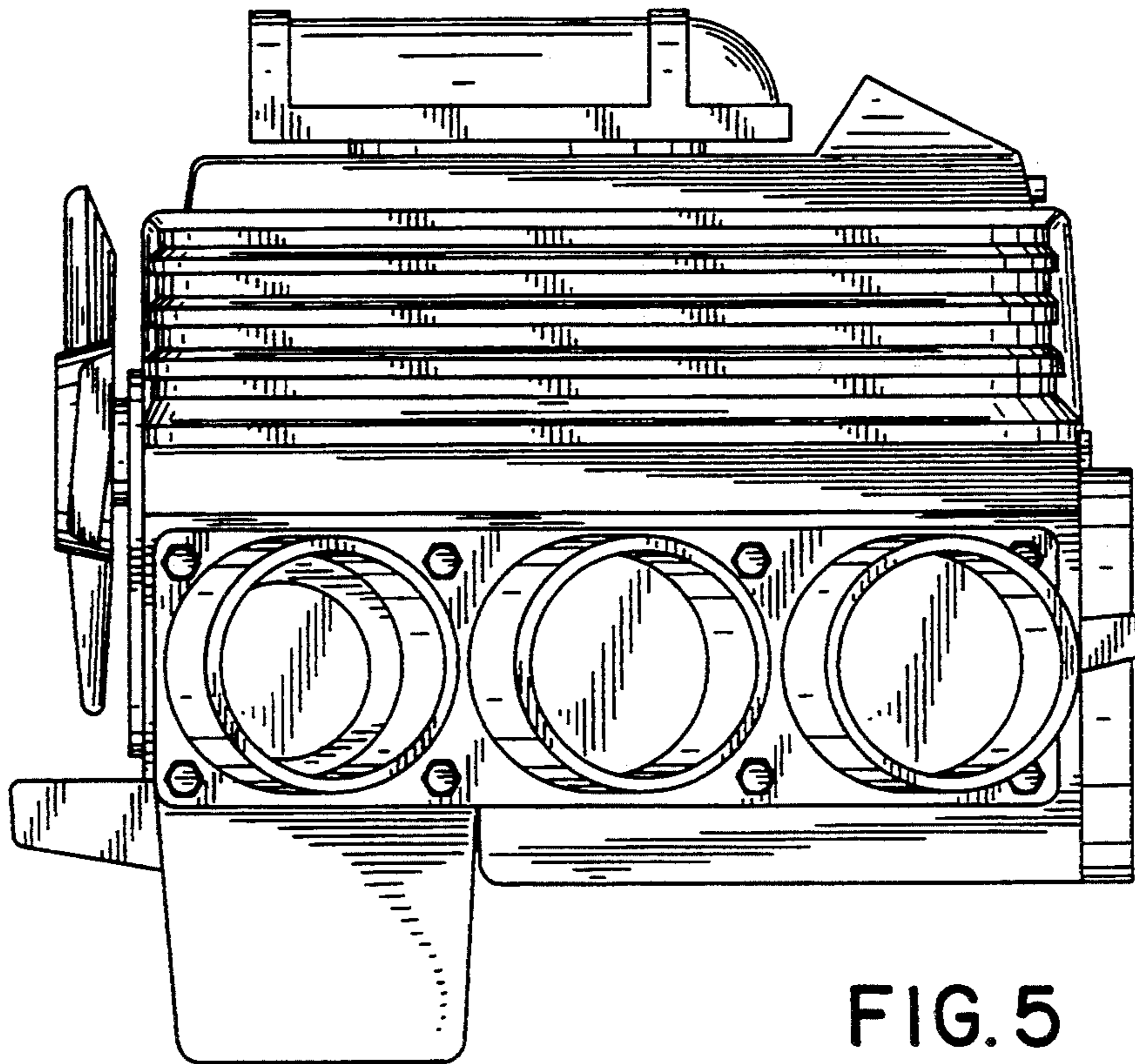


FIG. 5

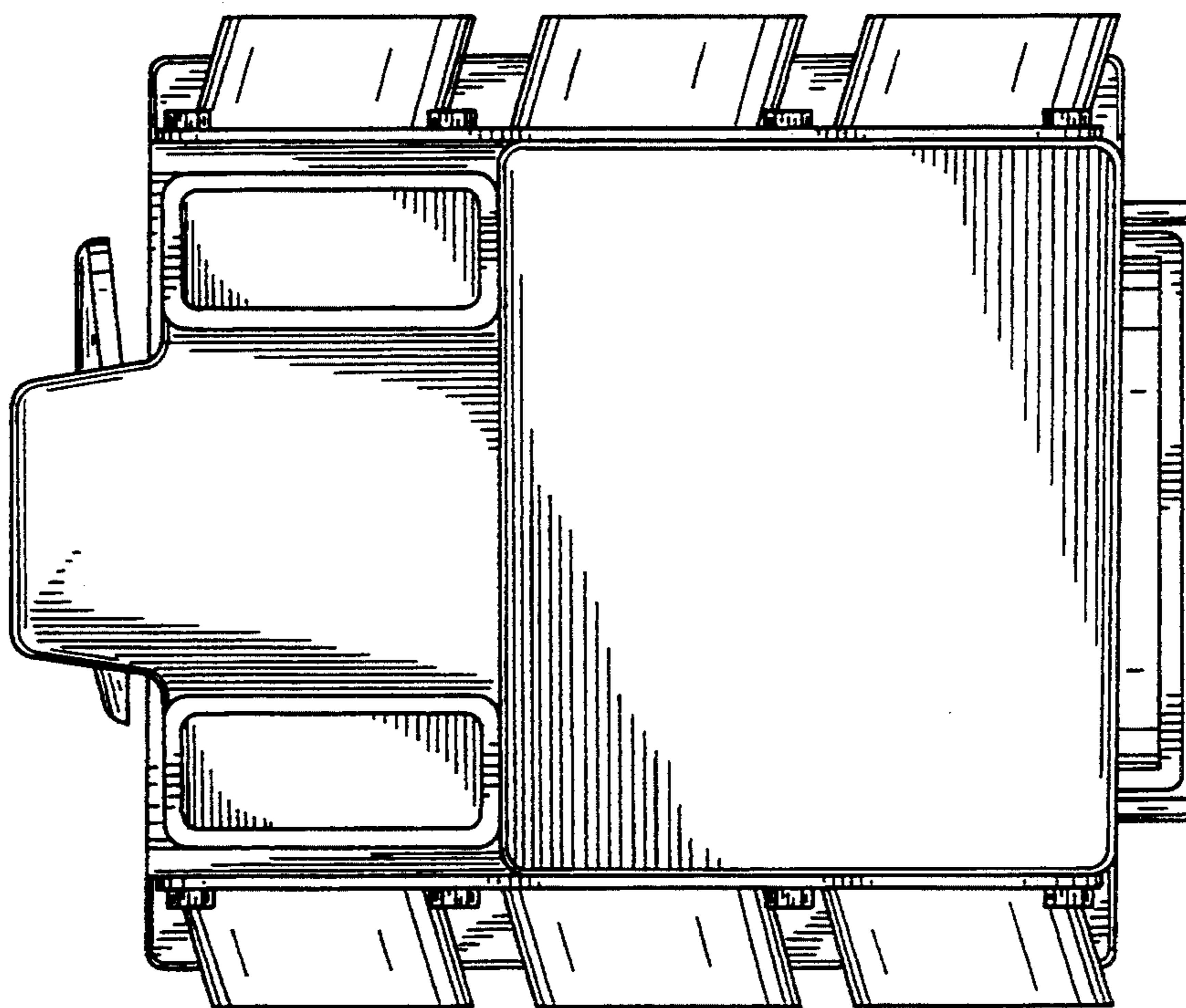


FIG. 6