



US00D360430S

**United States Patent** [19]  
**Jeong**

[11] **Patent Number: Des. 360,430**

[45] **Date of Patent: \*\* Jul. 18, 1995**

[54] **PRINTER FOR A COMPUTER**

[75] **Inventor: Byong S. Jeong, Seoul, Rep. of Korea**

[73] **Assignee: Samsung Electronics, Co. Ltd.,  
Kyungki-do, Rep. of Korea**

[\*\*] **Term: 14 Years**

[21] **Appl. No.: 18,001**

[22] **Filed: Jan. 26, 1994**

[52] **U.S. Cl. .... D18/55**

[58] **Field of Search ..... D18/50, 54-55;  
400/619, 619.1-619.4, 613, 613.1-613.4,  
690.1-690.4**

[56] **References Cited**

**U.S. PATENT DOCUMENTS**

D. 276,525	11/1984	Hashimoto .....	D18/54
D. 278,714	5/1985	Maruyama .....	D18/54
D. 311,207	10/1990	Mitsubishi .....	D18/54
D. 315,170	3/1991	Eto et al. ....	D18/54
D. 321,707	11/1991	Irie et al. ....	D18/54
D. 321,710	11/1991	Uchibori et al. ....	D18/54
D. 340,945	11/1993	Sugimoto .....	D18/55

**FOREIGN PATENT DOCUMENTS**

61-39796 9/1986 Japan ..... D18/LD18 50

**OTHER PUBLICATIONS**

Byte; Sep. 1983; p. 32; Transtar advertisement for the Transtar 315 Color Printer.

Mannesmann Tally brochure; Jul. 1992; MT150/151-9 9-Wire Printer; Cover photo.

Damark Catalog; Dec. 1992; p. 33; brother 24-Pin Dot Matrix Printer.

Pinwriter P5200/P5300 User's Guide; Nov. 1988; Cover drawing.

*Primary Examiner*—Cathy Anne MacCormac  
*Attorney, Agent, or Firm*—Helfgott & Karas

[57] **CLAIM**

The ornamental design for a printer for a computer, as shown.

**DESCRIPTION**

FIG. 1 is a perspective view of the printer for a computer;

FIG. 2 is a front view thereof;

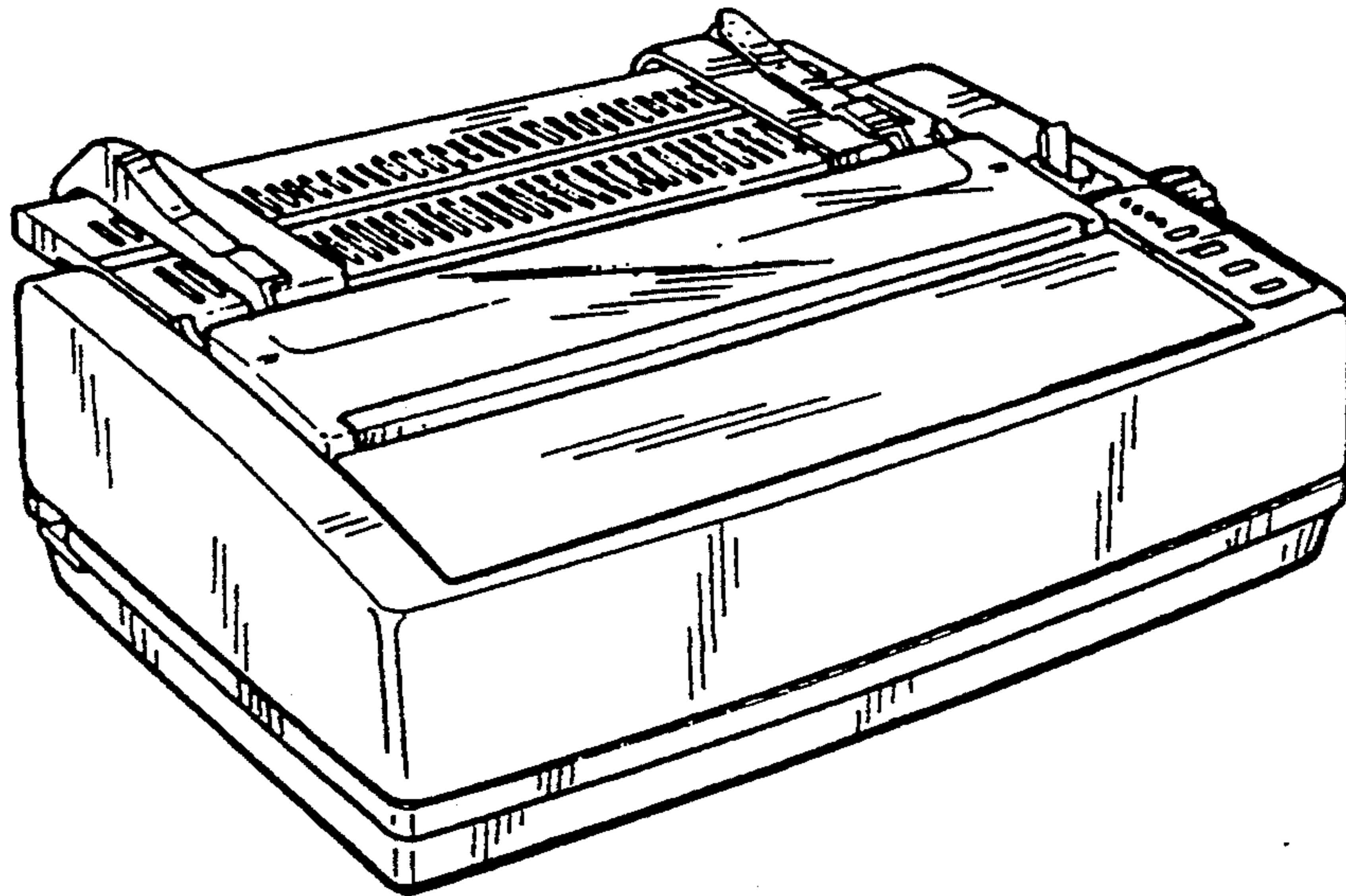
FIG. 3 is a back side view thereof;

FIG. 4 is a top view thereof;

FIG. 5 is a bottom view thereof;

FIG. 6 is a left side view thereof, and,

FIG. 7 is a right side view of the printer for a computer.



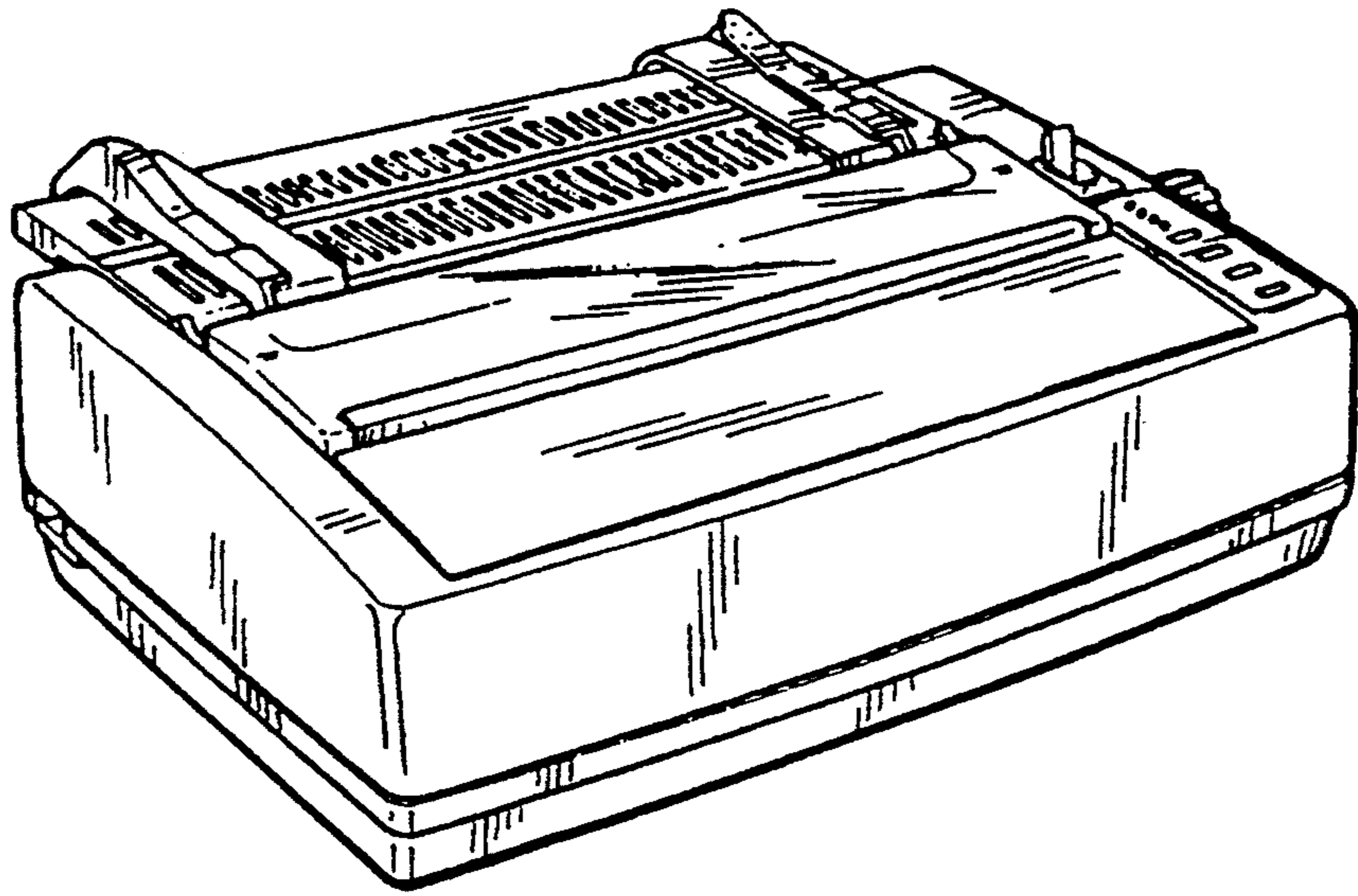


FIG. 1

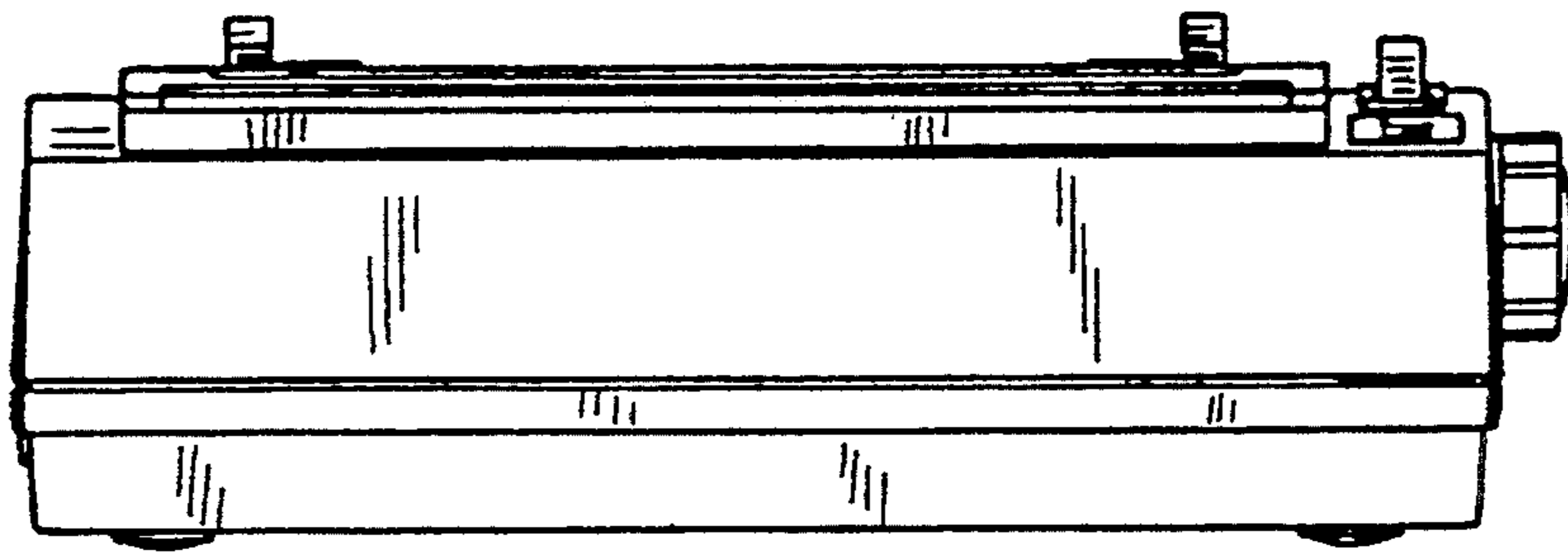


FIG. 2

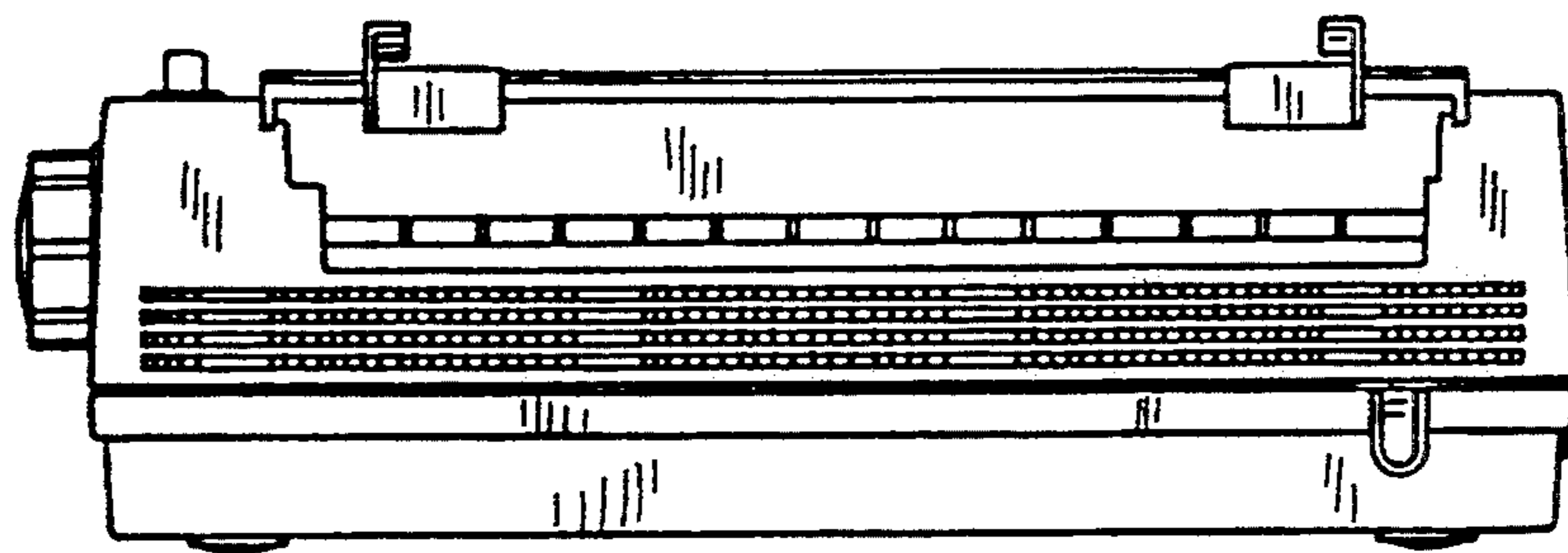


FIG. 3

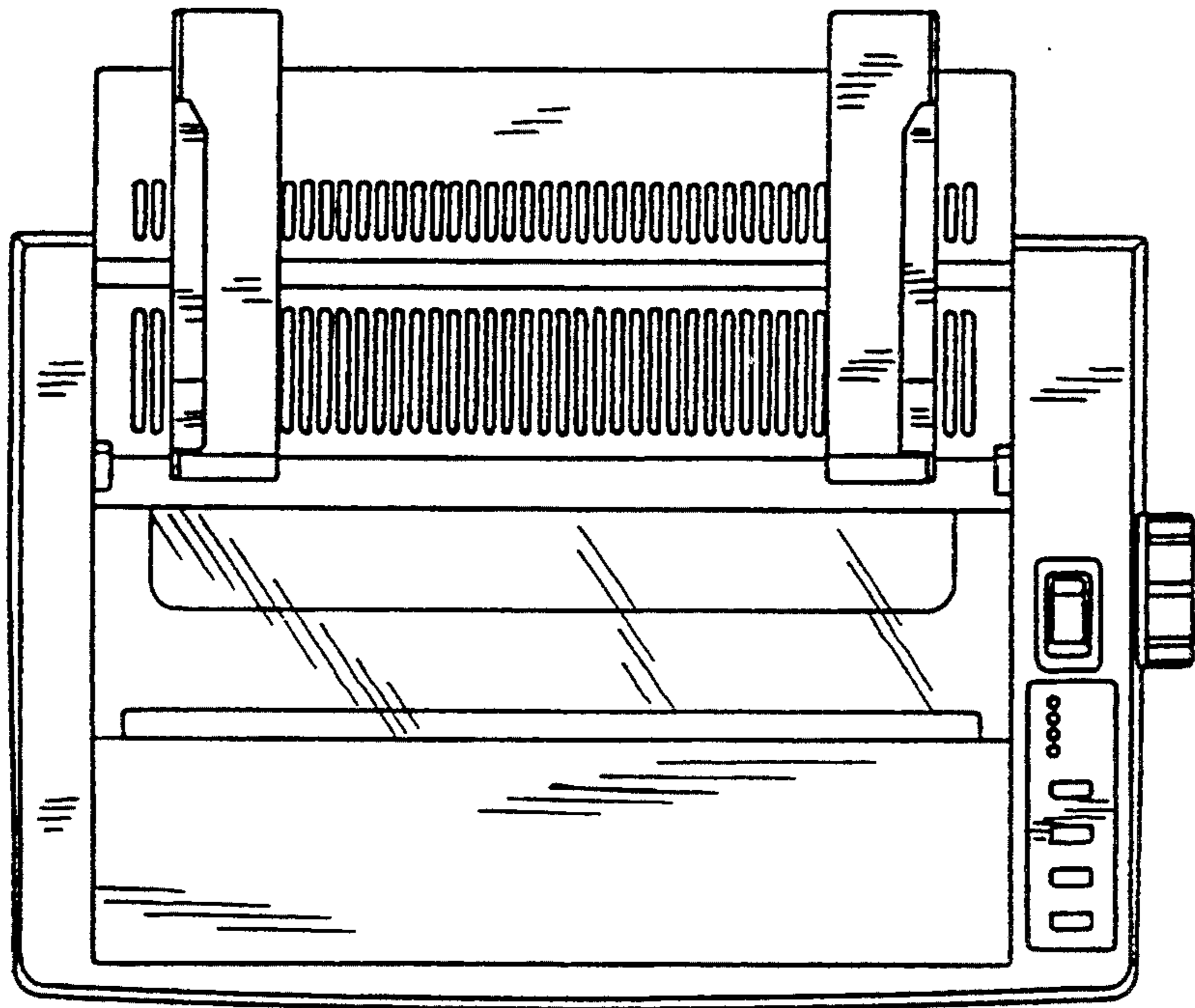


FIG. 4

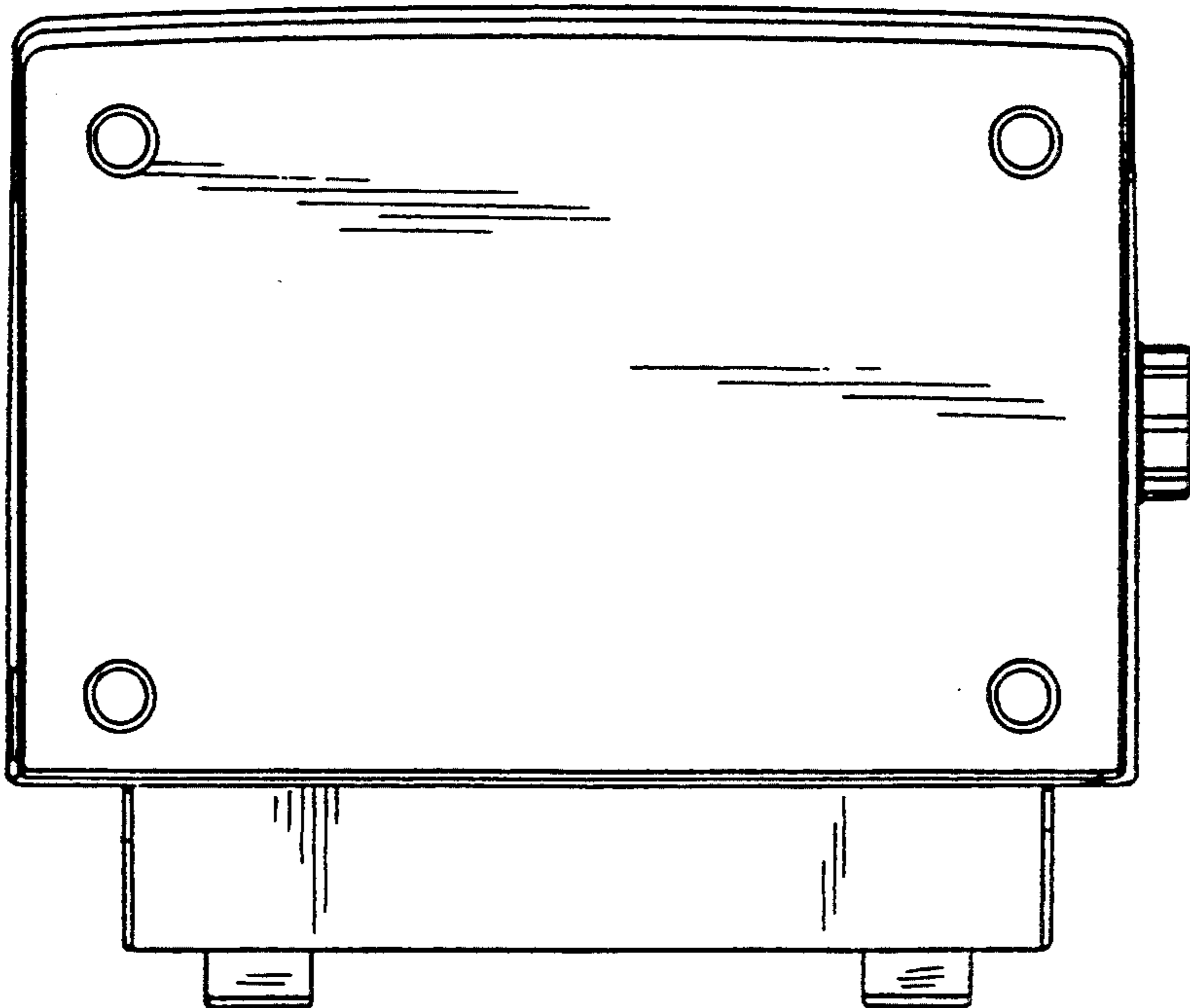


FIG. 5

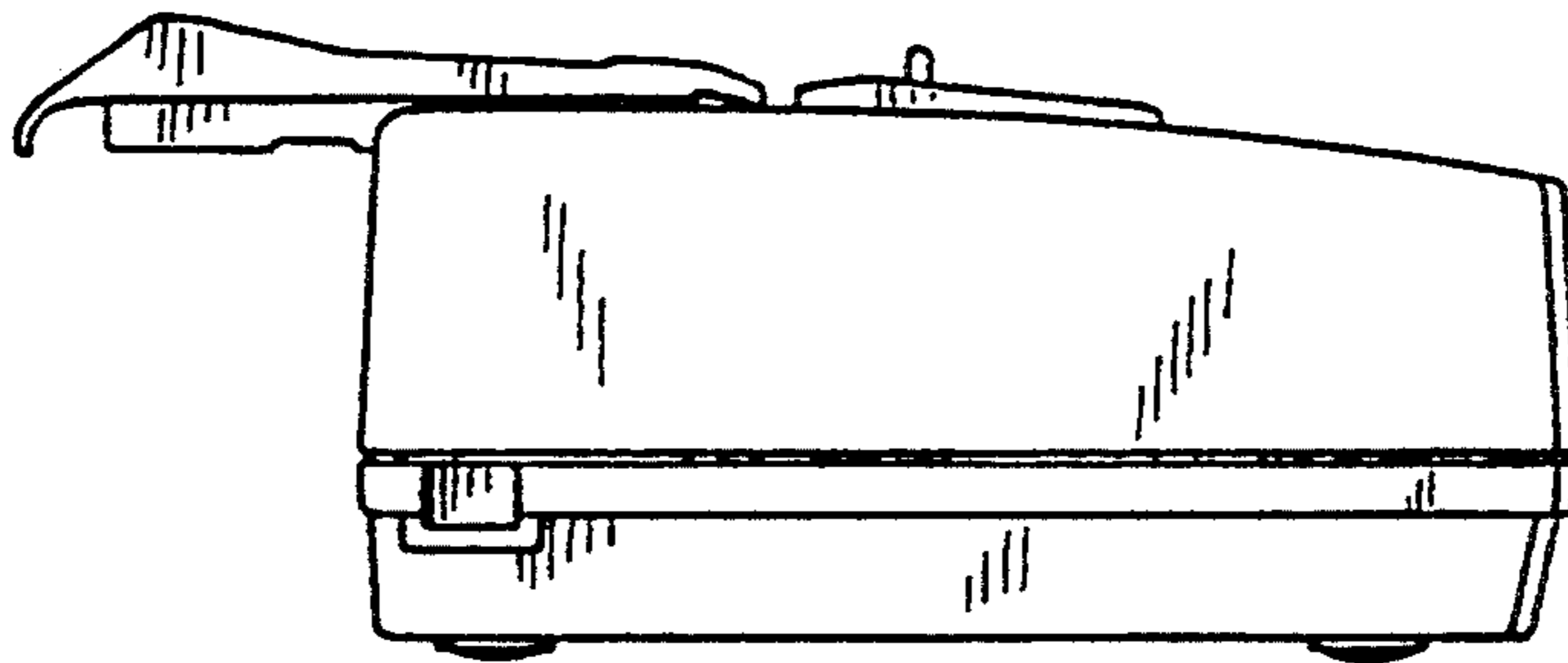


FIG. 6

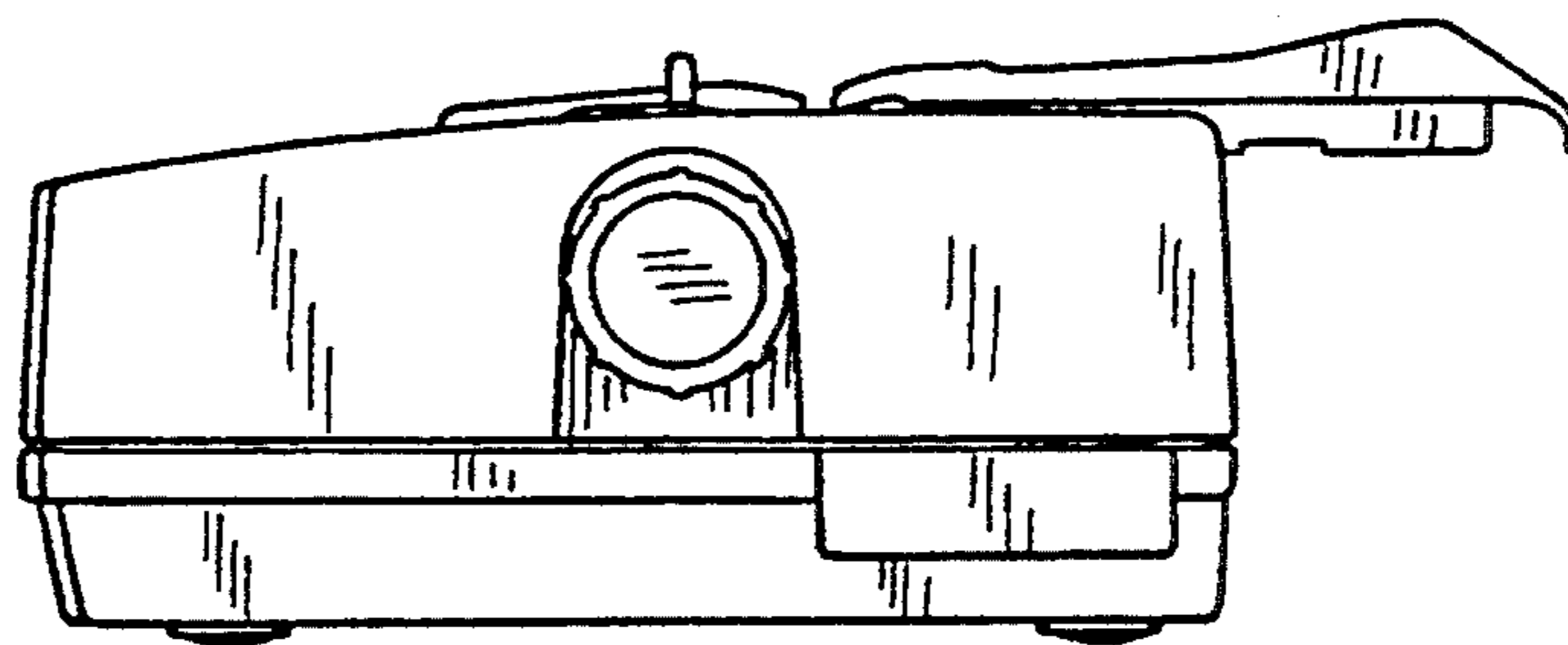


FIG. 7