



US00D360427S

# United States Patent [19]

[11] Patent Number: **Des. 360,427**

**Gracie**

[45] Date of Patent: **\*\* Jul. 18, 1995**

[54] **GUITAR HOLDER FOR A MUSICAL INSTRUMENT STAND**

### FOREIGN PATENT DOCUMENTS

[76] Inventor: **John D. Gracie**, 7013 Pomelo Dr., Canoga Park, Calif. 91307

3452 10/1834 France ..... 248/121

[\*\*] Term: **14 Years**

*Primary Examiner*—Theodore M. Shooman  
*Assistant Examiner*—Adir Aronovich  
*Attorney, Agent, or Firm*—Jack C. Munro

[21] Appl. No.: **17,508**

### [57] CLAIM

[22] Filed: **Jan. 18, 1994**

The ornamental design for guitar holder for a musical instrument stand, as shown and described.

[52] U.S. Cl. .... **D17/20; 84/327; 248/121**

### DESCRIPTION

[58] Field of Search ..... **D6/491, 512; D17/20, D17/99; 84/327, 453; 248/121, 122**

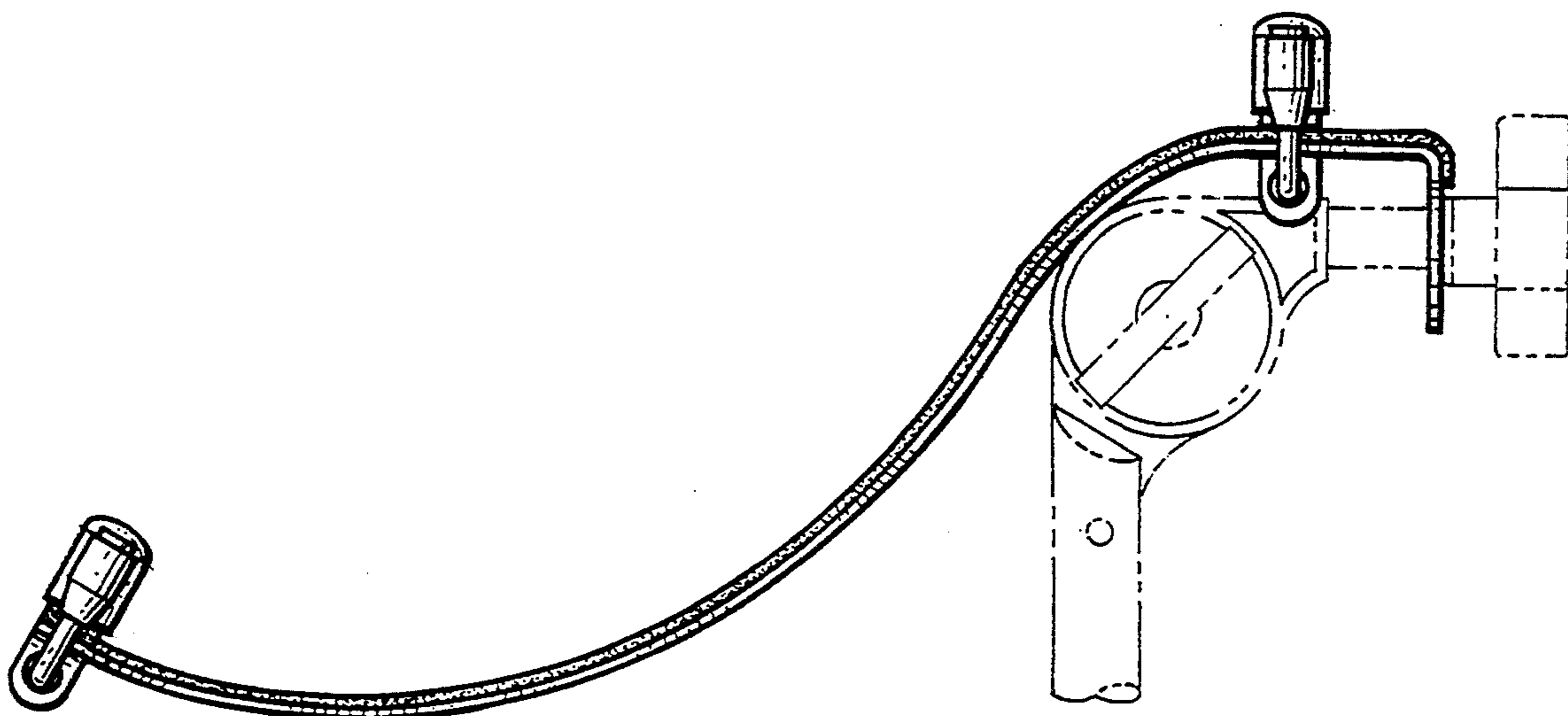
FIG. 1 is a front elevational view of a guitar holder for a musical instrument stand showing my new design; FIG. 2 is a left end elevational view thereof; FIG. 3 is a right end elevational view thereof; FIG. 4 is a rear elevational view thereof; FIG. 5 is a top plan view thereof; and, FIG. 6 is a bottom plan view thereof.

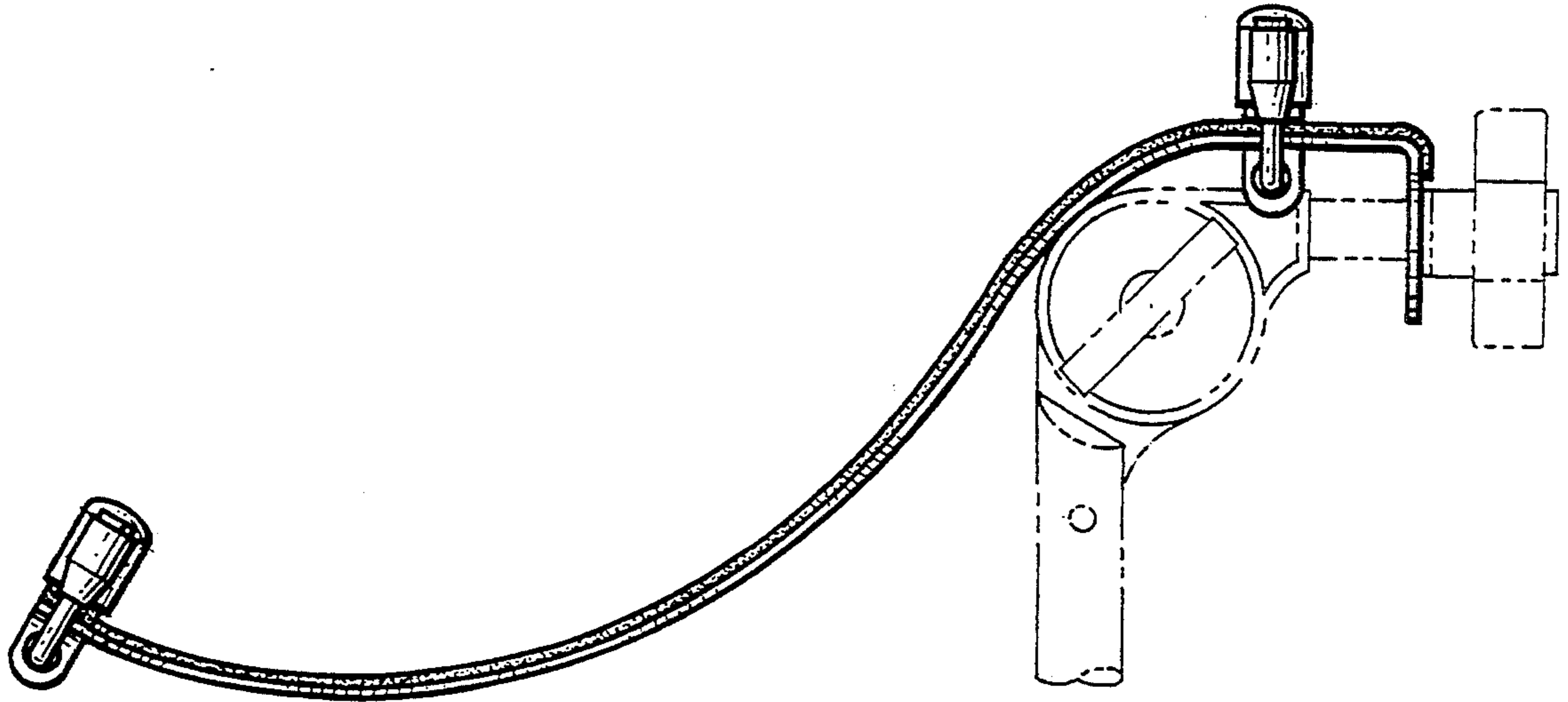
### [56] References Cited

#### U.S. PATENT DOCUMENTS

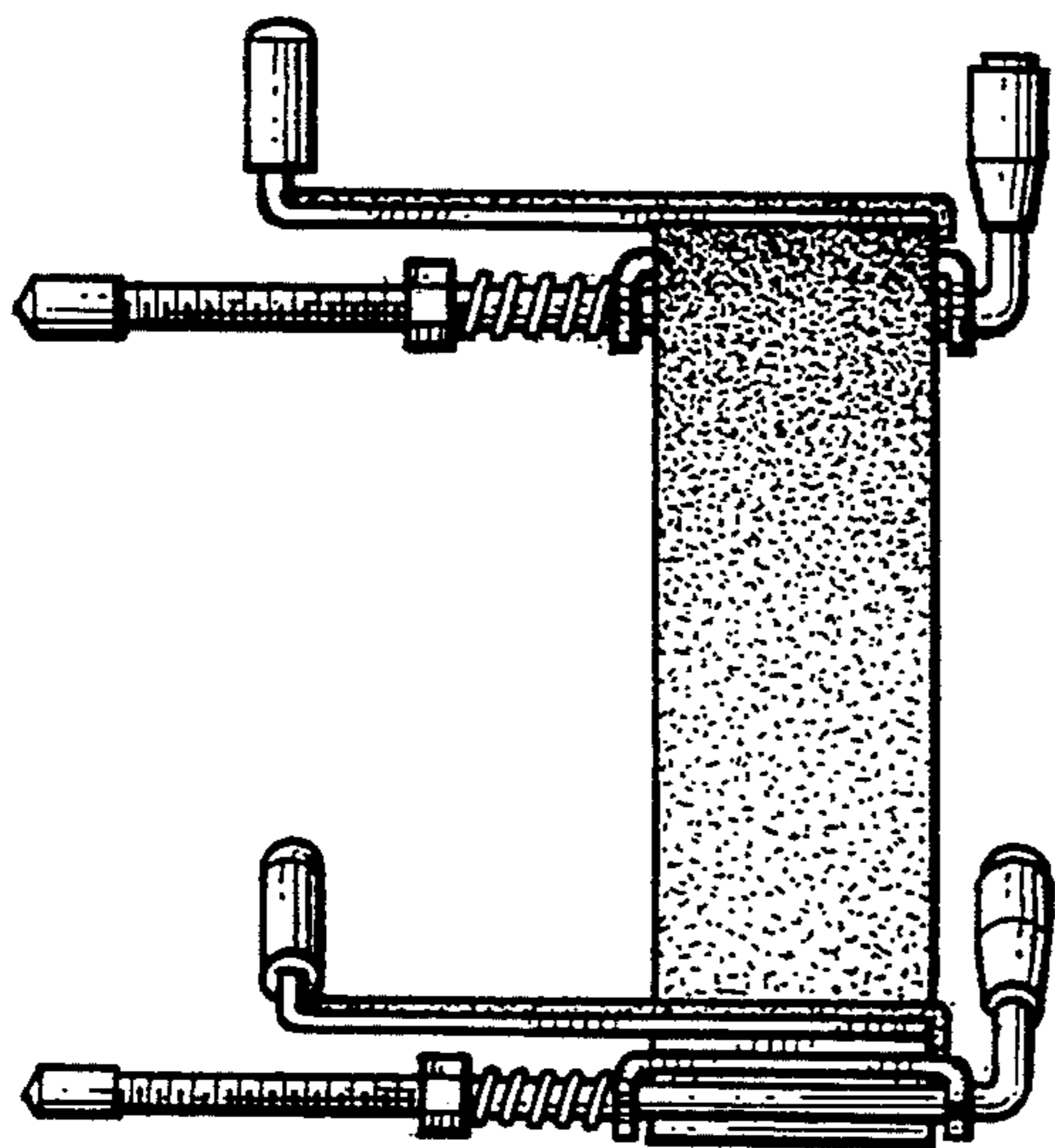
D. 283,032	3/1986	Quesnel	.....	D17/20
D. 337,345	7/1993	Gracie	.....	D17/99
4,742,751	5/1988	Cherry	.....	84/327
5,375,497	12/1994	Pirchio et al.	.....	84/453

The broken line showing of a fragmentary typical musical stand is for illustrative purposes only and forms no part of the claimed design.

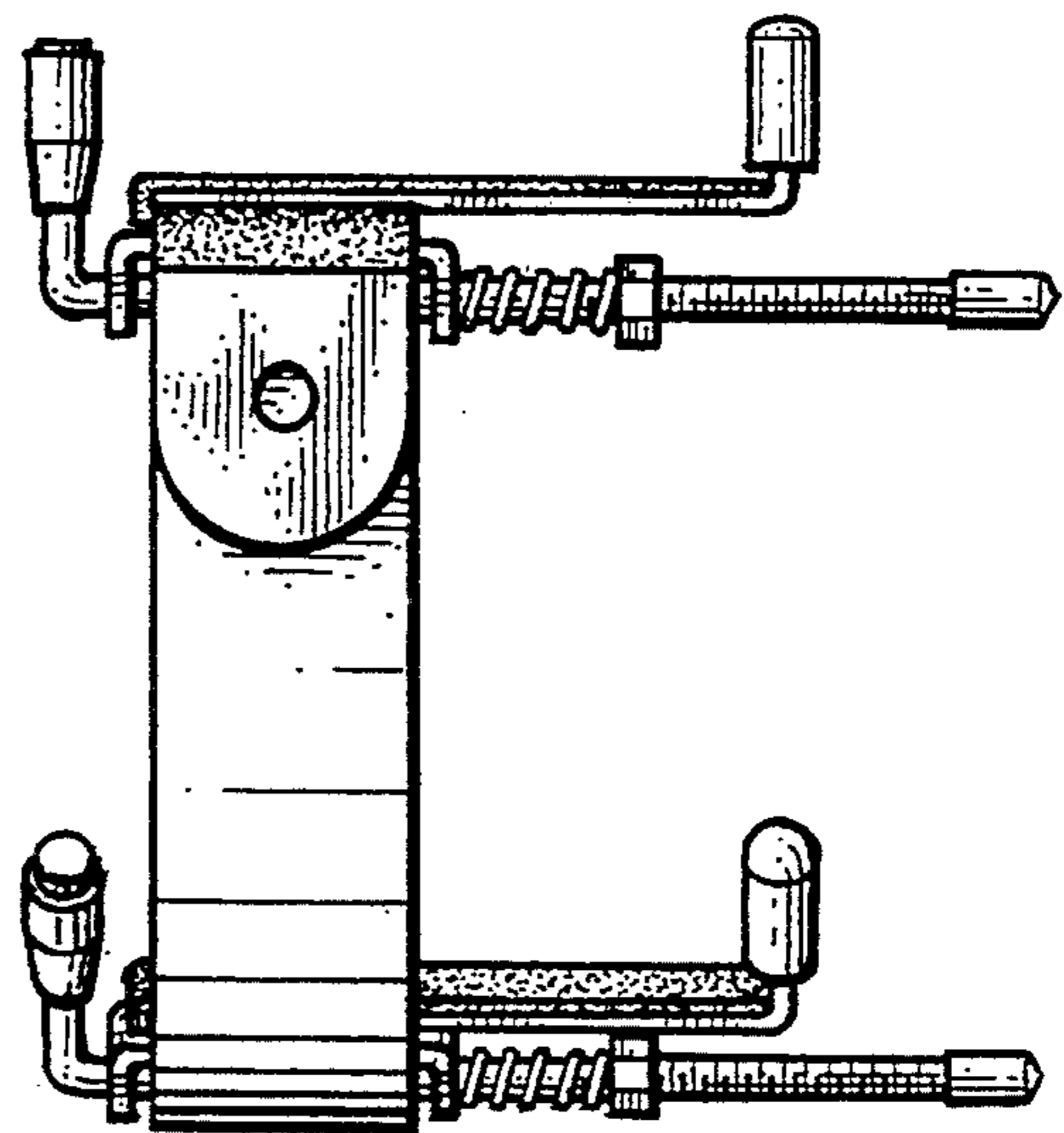




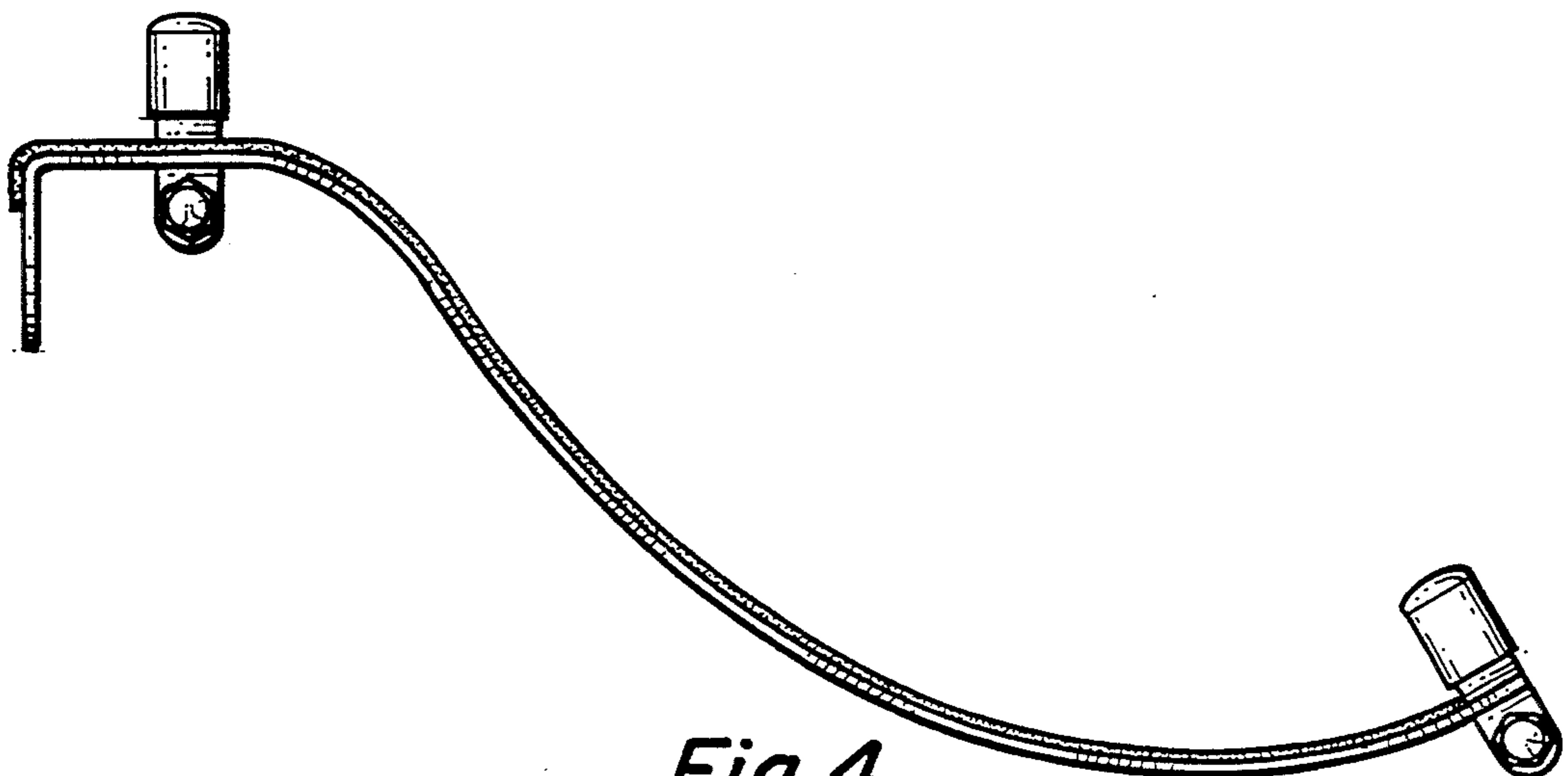
*Fig. 1.*



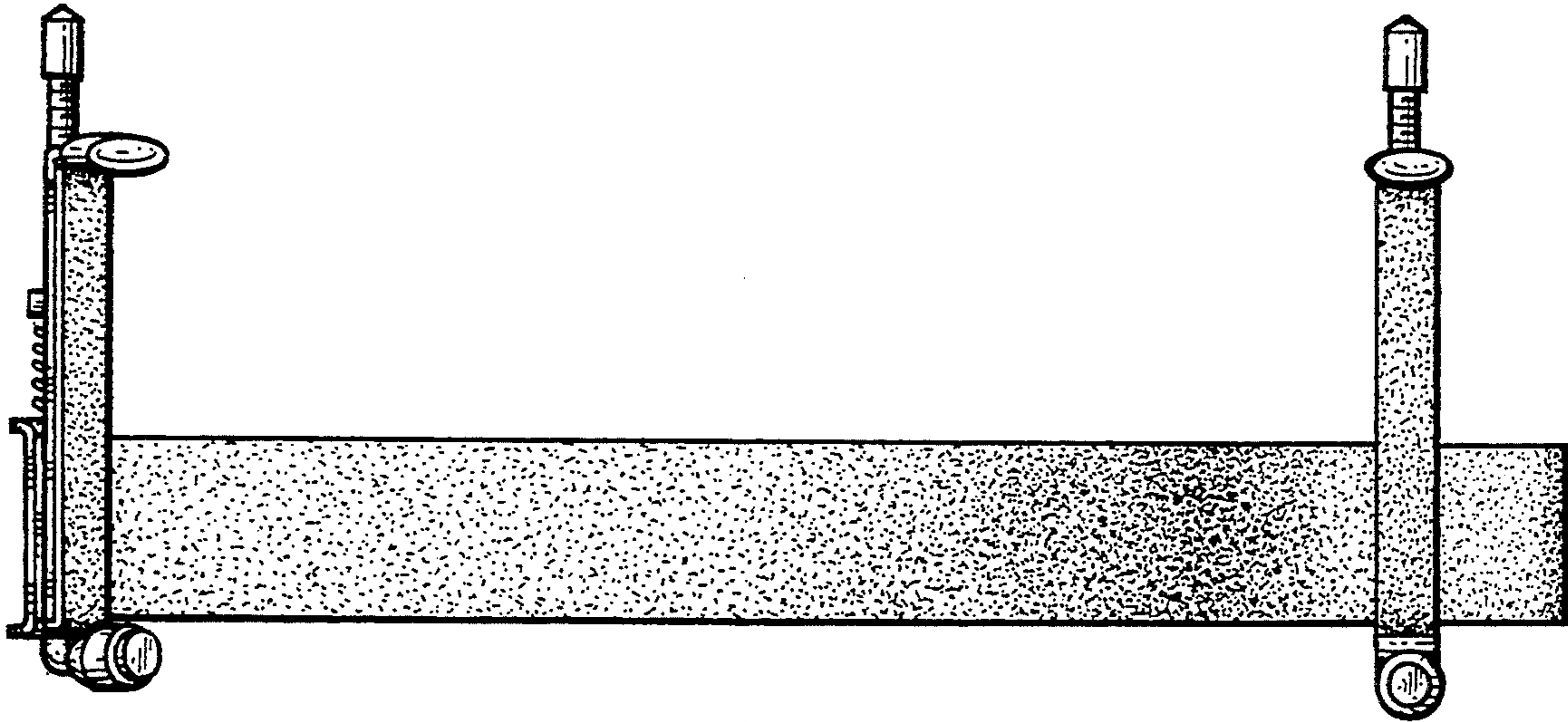
*Fig. 2.*



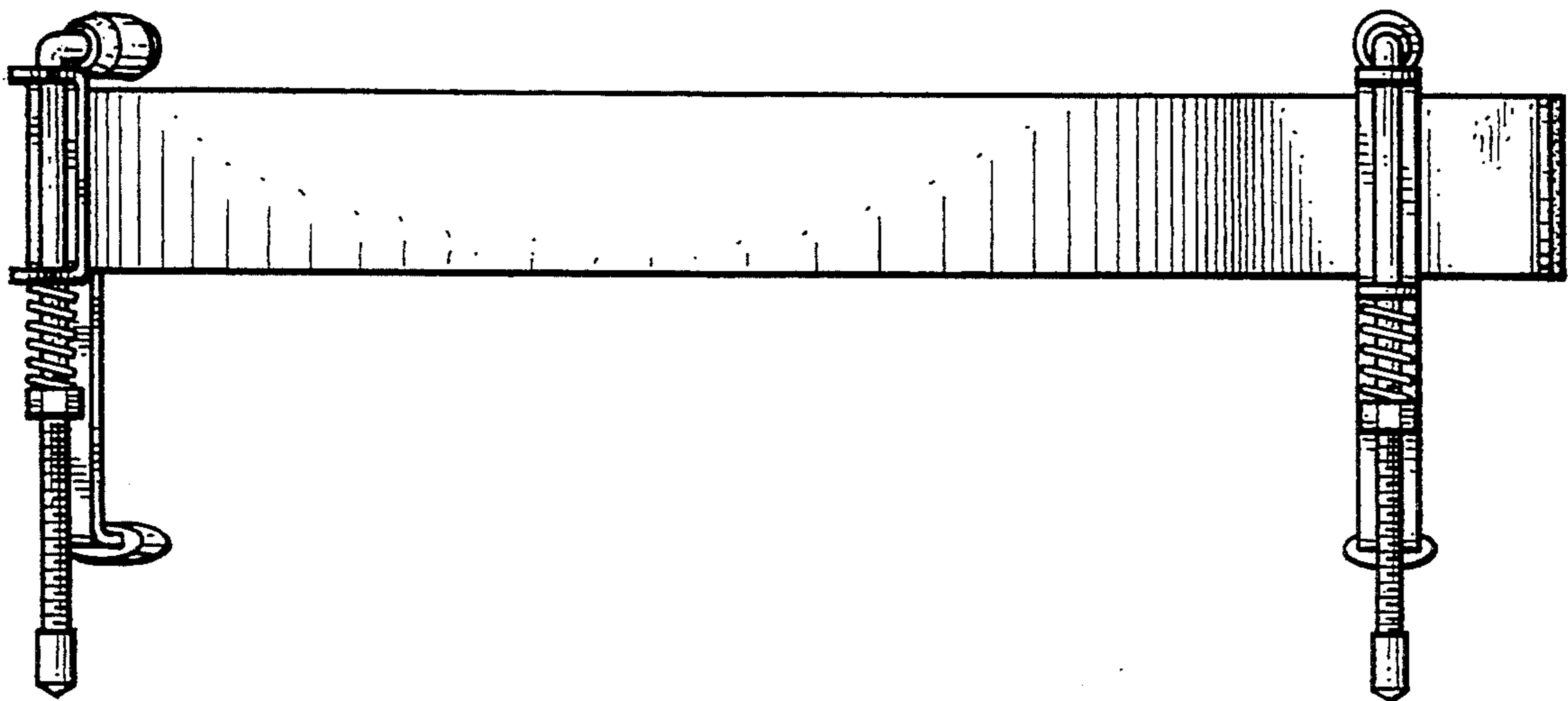
*Fig. 3.*



*Fig. 4.*



*Fig. 5.*



*Fig. 6.*