



US00D360424S

# United States Patent [19]

[11] Patent Number: **Des. 360,424**

**Bauer**

[45] Date of Patent: **\*\* Jul. 18, 1995**

[54] **LINEAR SLIDE WITH TOOTHED BELT DRIVES**

[58] Field of Search ..... D15/138, 145, 150, 151, D15/152, 199; 53/128.1; 82/132-141; 474/144, 145, 146, 147, 205, 268

[75] Inventor: **Siegfried Bauer,**  
Massbach-Volkershausen, Germany

[56] **References Cited**

### U.S. PATENT DOCUMENTS

[73] Assignee: **Deutsche Star GmbH,** Schweinfurt, Germany

- D. 240,293 6/1976 Bogart ..... D10/70
- D. 308,207 5/1990 Burke ..... D15/199 X
- D. 310,041 8/1990 Nagaoka ..... D10/70
- D. 333,666 3/1993 Kawashima et al. .... D15/199 X

[\*\*] Term: **14 Years**

*Primary Examiner*—Antoine Duval Davis  
*Attorney, Agent, or Firm*—Anderson Kill Olick & Oshinsky

[21] Appl. No.: **16,498**

[22] Filed: **Dec. 16, 1993**

[57] **CLAIM**

The ornamental design for a linear slide with toothed belt drives, as shown and described.

### Related U.S. Application Data

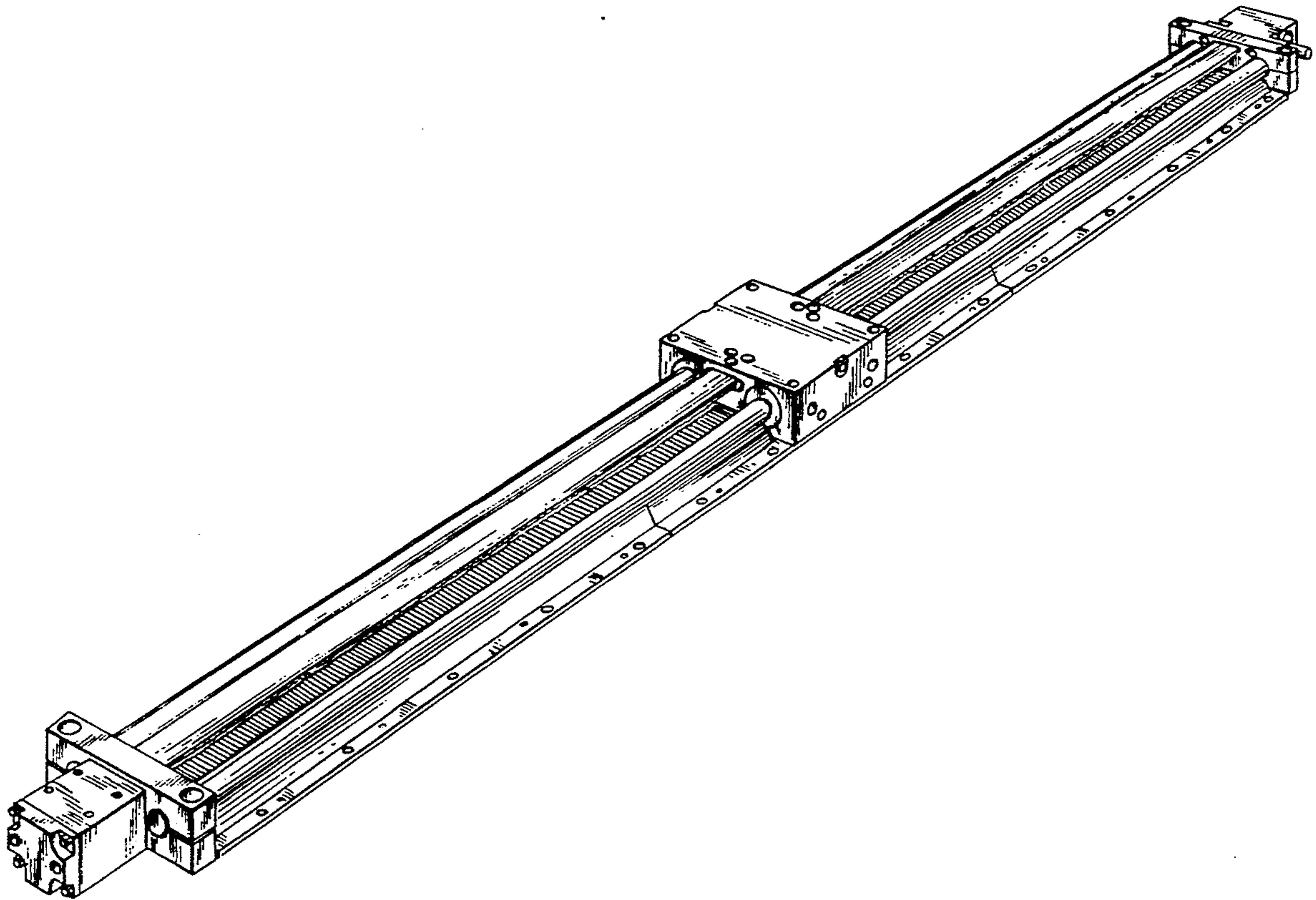
[62] Division of Ser. No. 795,640, Nov. 21, 1991, Pat. No. Des. 345,041.

### DESCRIPTION

### Foreign Application Priority Data

May 22, 1991 [DE] Germany ..... M 91 03 755.7  
[52] U.S. Cl. .... **D15/199**

FIG. 1 is a front perspective view of a linear slide with toothed belt drives showing my new design; FIG. 2 is another front perspective view; and, FIG. 3 is a bottom perspective view thereof.



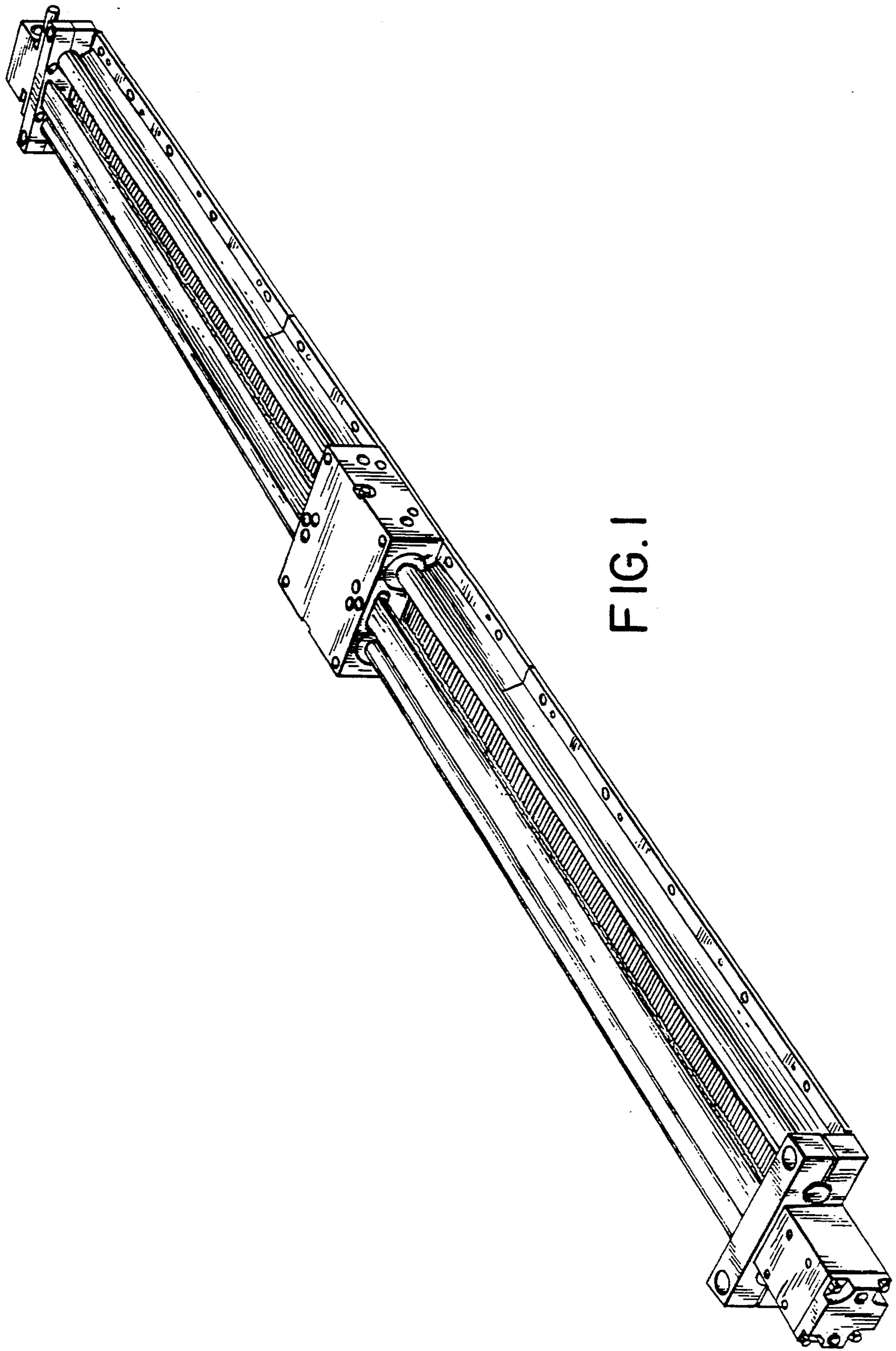


FIG. 1

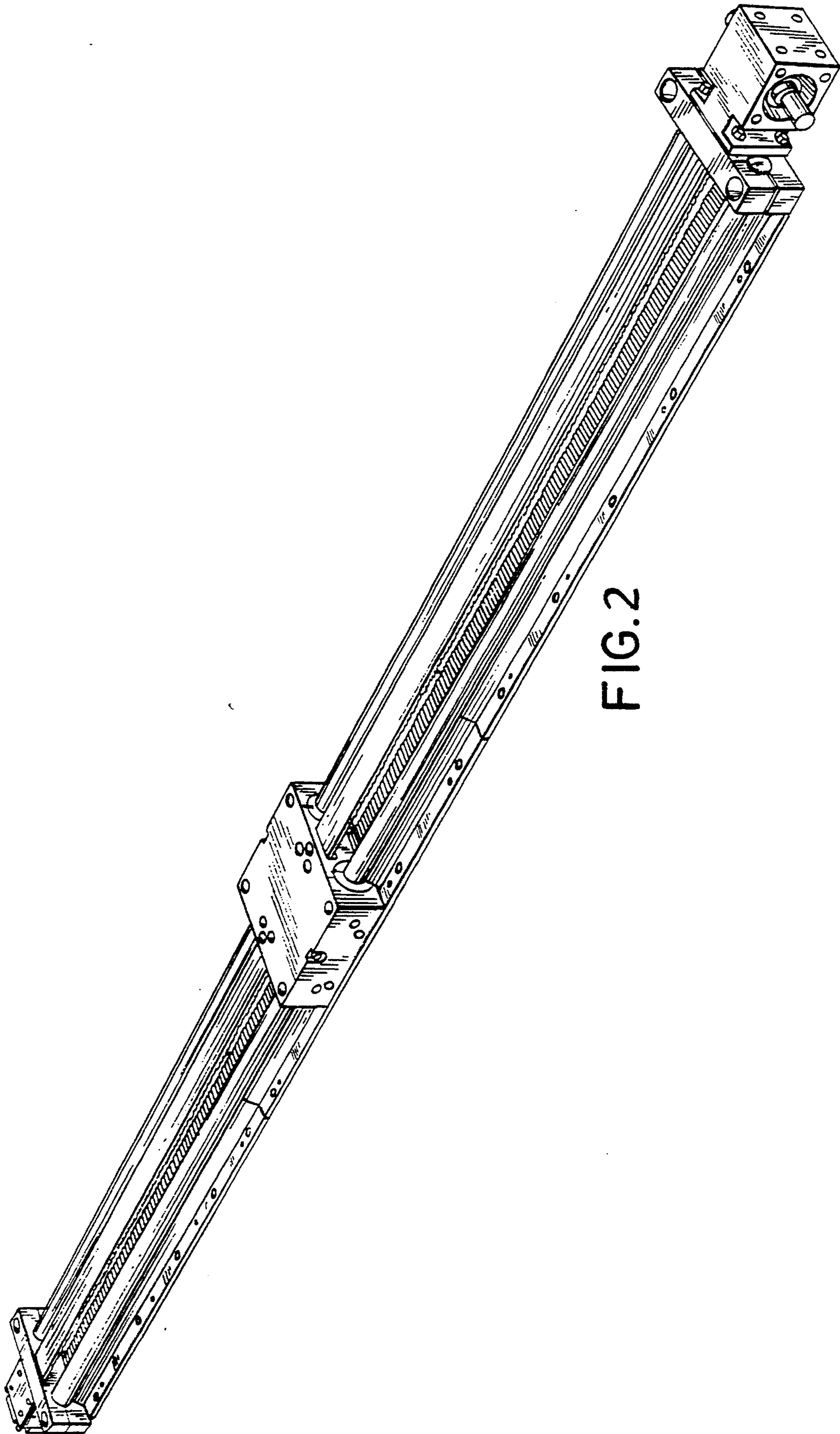


FIG.2

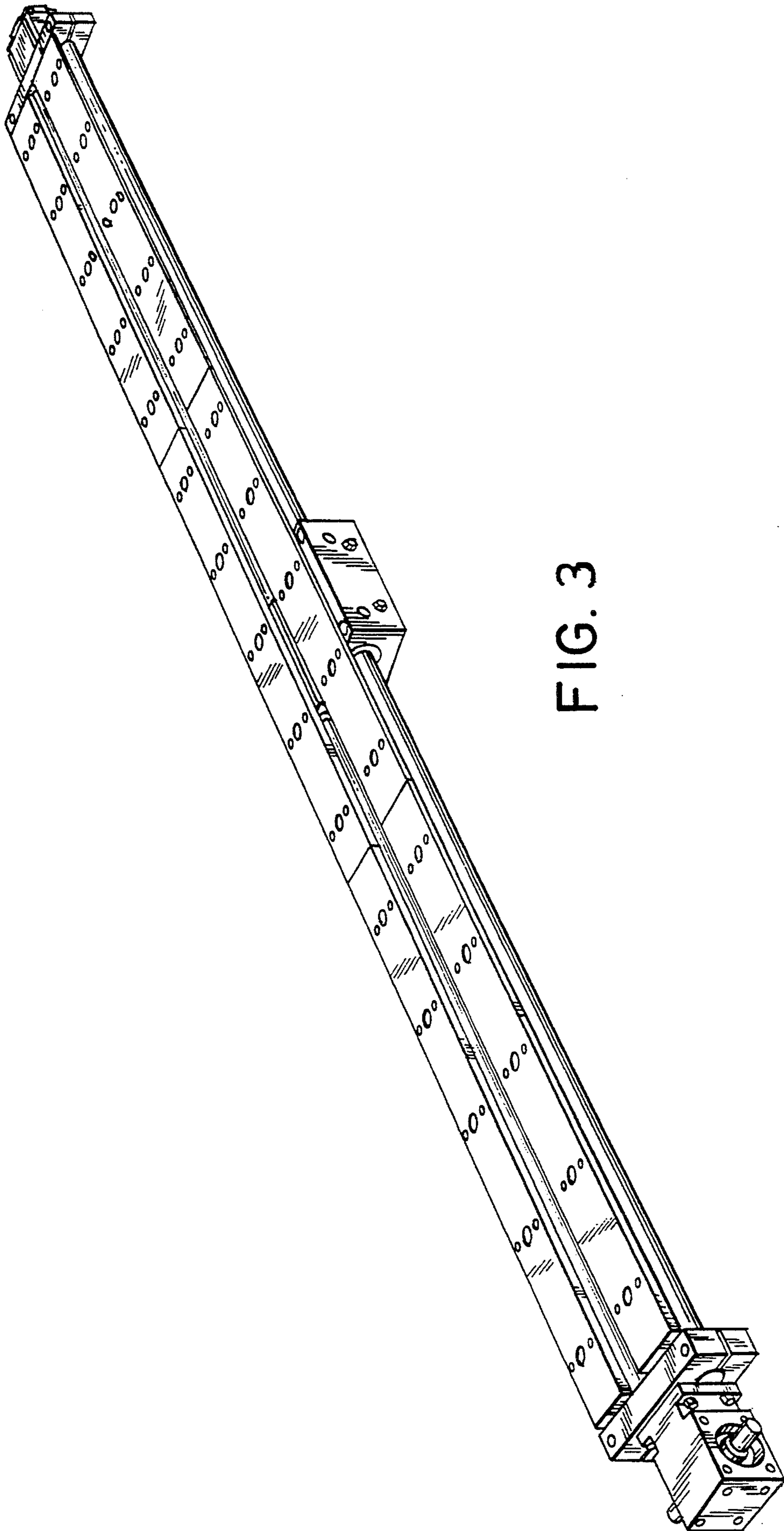


FIG. 3