



US00D360423S

United States Patent [19] Neal

[11] Patent Number: **Des. 360,423**

[45] Date of Patent: **** Jul. 18, 1995**

[54] SCREENPRINT CURING OVEN

5,038,707	8/1991	Swain et al.	118/58
5,282,145	1/1994	Lipson et al.	427/542 X
5,288,526	2/1994	Hogan et al.	427/492

[75] Inventor: **Paul J. Neal, Dallas, Ga.**

[73] Assignee: **Ray Paul Manufacturing, Inc., Marietta, Ga.**

Primary Examiner—Antoine Duval Davis
Attorney, Agent, or Firm—James B. Middleton

[**] Term: **14 Years**

[57] **CLAIM**

[21] Appl. No.: **13,682**

The ornamental design for a screenprint curing oven, as shown.

[22] Filed: **Sep. 29, 1993**

[52] U.S. Cl. **D15/144**

[58] Field of Search **D15/144, 144.1, 144.2; 118/58, 64, 65, 68; 34/201, 202, 208, 209; 219/391; 362/92; 427/492, 532, 541, 542**

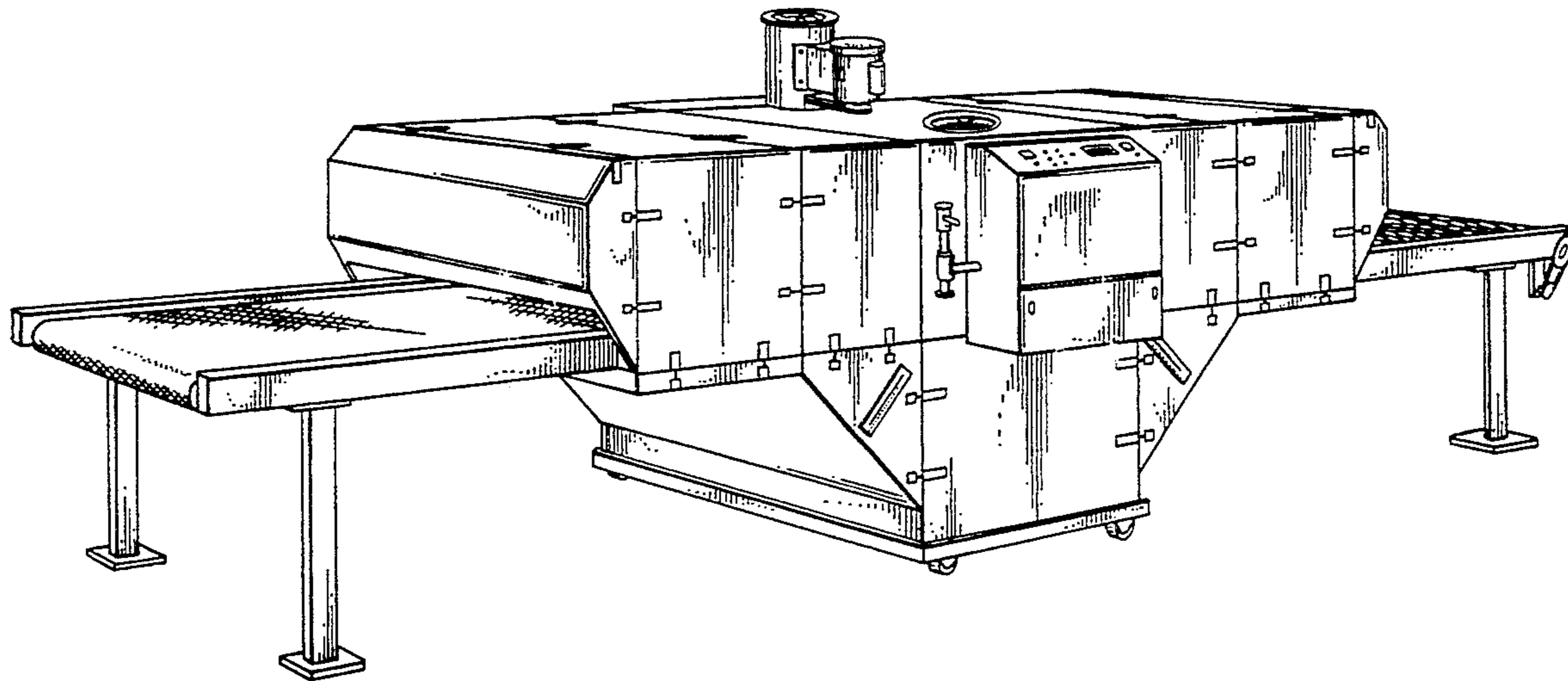
DESCRIPTION

FIG. 1 is a perspective view showing a screenprint curing oven embodying my new design; FIG. 2 is a left side elevational view thereof; FIG. 3 is a front elevational view thereof; FIG. 4 is a top plan view thereof; FIG. 5 is a rear elevational view thereof; FIG. 6 is a bottom plan view thereof; and, FIG. 7 is an enlarged face-on view of the control panel.

[56] **References Cited**

U.S. PATENT DOCUMENTS

D. 339,146 9/1993 Ruzowski D15/144.2



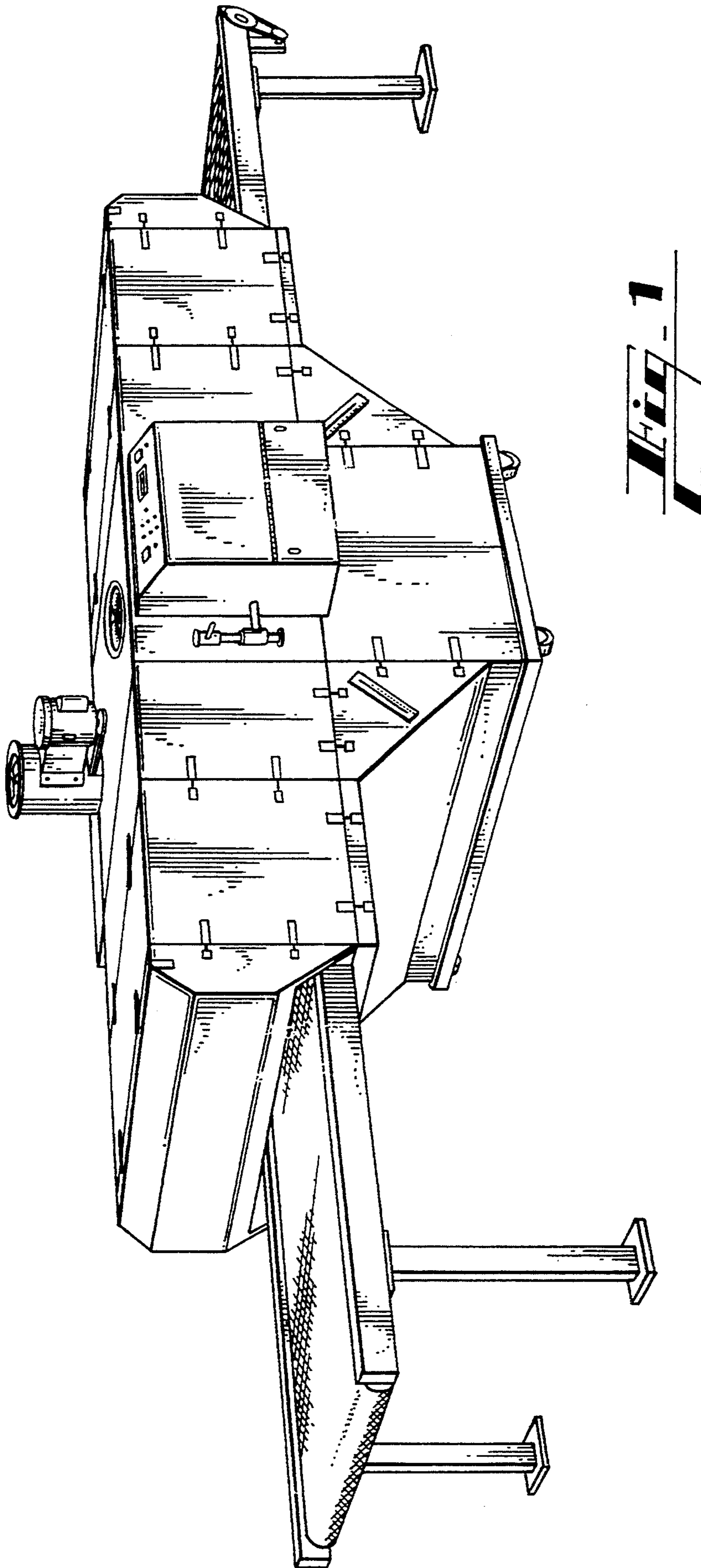


Fig. 1

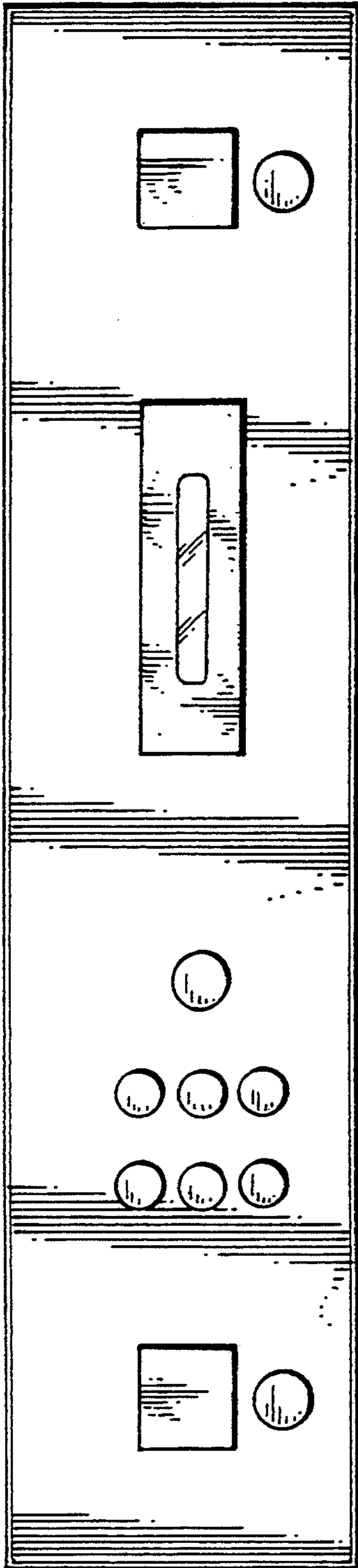


Fig. 7

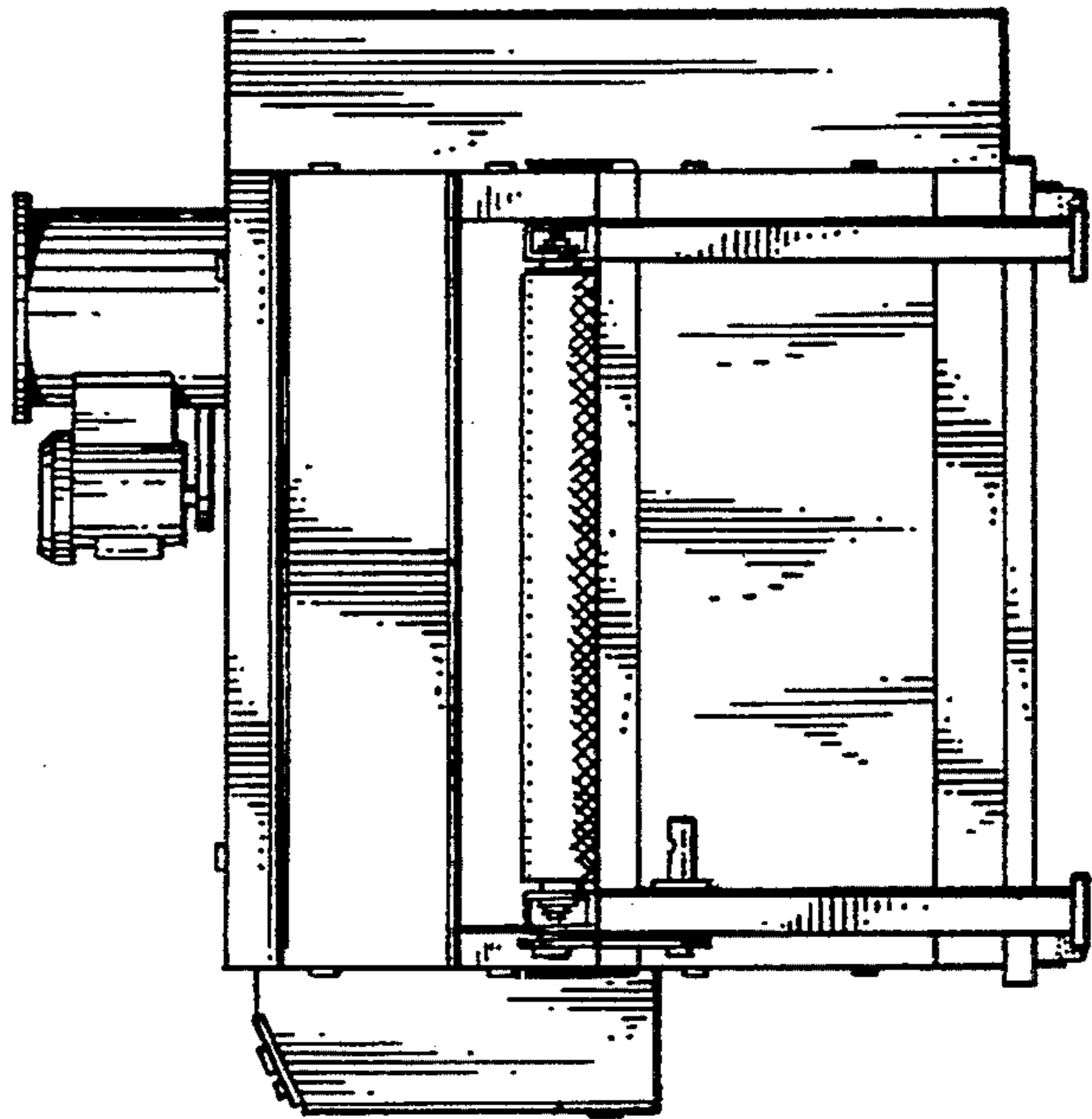


Fig. 2

