



US00D360422S

United States Patent [19]

[11] Patent Number: **Des. 360,422**

Frates et al.

[45] Date of Patent: **** Jul. 18, 1995**

[54] **DISPENSER FOR THE DISPENSING OF ADHESIVES, SEALANTS, AND CAULKS**

[75] Inventors: **Paul S. Frates, Lawrenceville; Kenneth E. Rothrauff, Suwanee, both of Ga.**

[73] Assignee: **Nordson Corporation, Westlake, Ohio**

[**] Term: **14 Years**

[21] Appl. No.: **7,899**

[22] Filed: **May 3, 1993**

[52] U.S. Cl. **D15/144**

[58] Field of Search **D15/144, 199; 222/146.1, 146.2, 146.5; 219/420-421**

[56] **References Cited**

U.S. PATENT DOCUMENTS

- D. 270,353 8/1983 Lewellen D15/144
- D. 276,617 12/1984 Scholl et al. D15/144
- 3,792,801 2/1974 Baker et al. 222/146.1
- 4,456,151 6/1984 Lewellen .
- 4,485,942 12/1984 Petrecca .

OTHER PUBLICATIONS

AquaGuard™ Systems; Nordson Corporation; Issued 11/92; 4 pp. (Brochure).
 Slautterback Applicator Systems; Slautterback; Issued 7/92; 6 pp.
 Meltex® Hot Melt Applicators; MX 2006; MX 2012; MX 2020; MXD 4012; MX 4060; and MX 40110; Meltex Corporation (5/89).
 Dynapply 21; GEPOC Verfahrenstechnik GmbH & Co.; 1 page (Pub'd Prior to Filing Date).
 Dynapply 45C & 45D Hot Melt Applicator LTI Corpo-

ration (GEPOC Verfahrenstechnik GmbH & Co.)- (Pub'd Prior to Filing Date).

Dynapply 45EG Solid State Hot Melt Supply Unit; GEPOC Verfahrenstechnik GmbH & Co. (Pub'd Prior to Filing Date).

The Valco Hot Melt System; Valco's Hot Melt Applicator Model 3000; 3 pp. Valco Cincinnati (Pub'd Prior to Filing Date).

NCG Hotmelt Equipment; Airprint Systems, Inc.; 2 pp. (at least as early as 11/92).

Mercer Adhesive Application Systems; Mercer Corporation; Issued 1/88; 2 pp.

Meltex® Hot Melt Applicators: (Low Pressure); Meltex Corporation (Pub'd Prior to Filing Date).

Nordson® Hot Melt Equipment Catalog; Nordson Corporation 6/90; pp. 1-1, 1-47, 1-49, 2-3, and 2-5.

Primary Examiner—Brian N. Vinson

Attorney, Agent, or Firm—Raymond J. Slattery, III

[57] **CLAIM**

The ornamental design for a dispenser for dispensing adhesives, sealants, and caulks, as shown and described.

DESCRIPTION

FIG. 1 is a perspective view of an adhesive dispenser showing our new design;
 FIG. 2 is a front elevational view thereof;
 FIG. 3 is a top plan view thereof;
 FIG. 4 is a rear view thereof;
 FIG. 5 is a side, elevational view thereof;
 FIG. 6 is the other side, elevational view thereof;
 FIG. 7 is a perspective view of an adhesive dispenser showing a second embodiment of our new design;
 FIG. 8 is as front elevational view of FIG. 7;
 FIG. 9 is a top plan view of FIG. 7;
 FIG. 10 is a rear elevational view of FIG. 7;
 FIG. 11 is a side elevational view of FIG. 7; and,
 FIG. 12 is the other side, elevational view of FIG. 7.

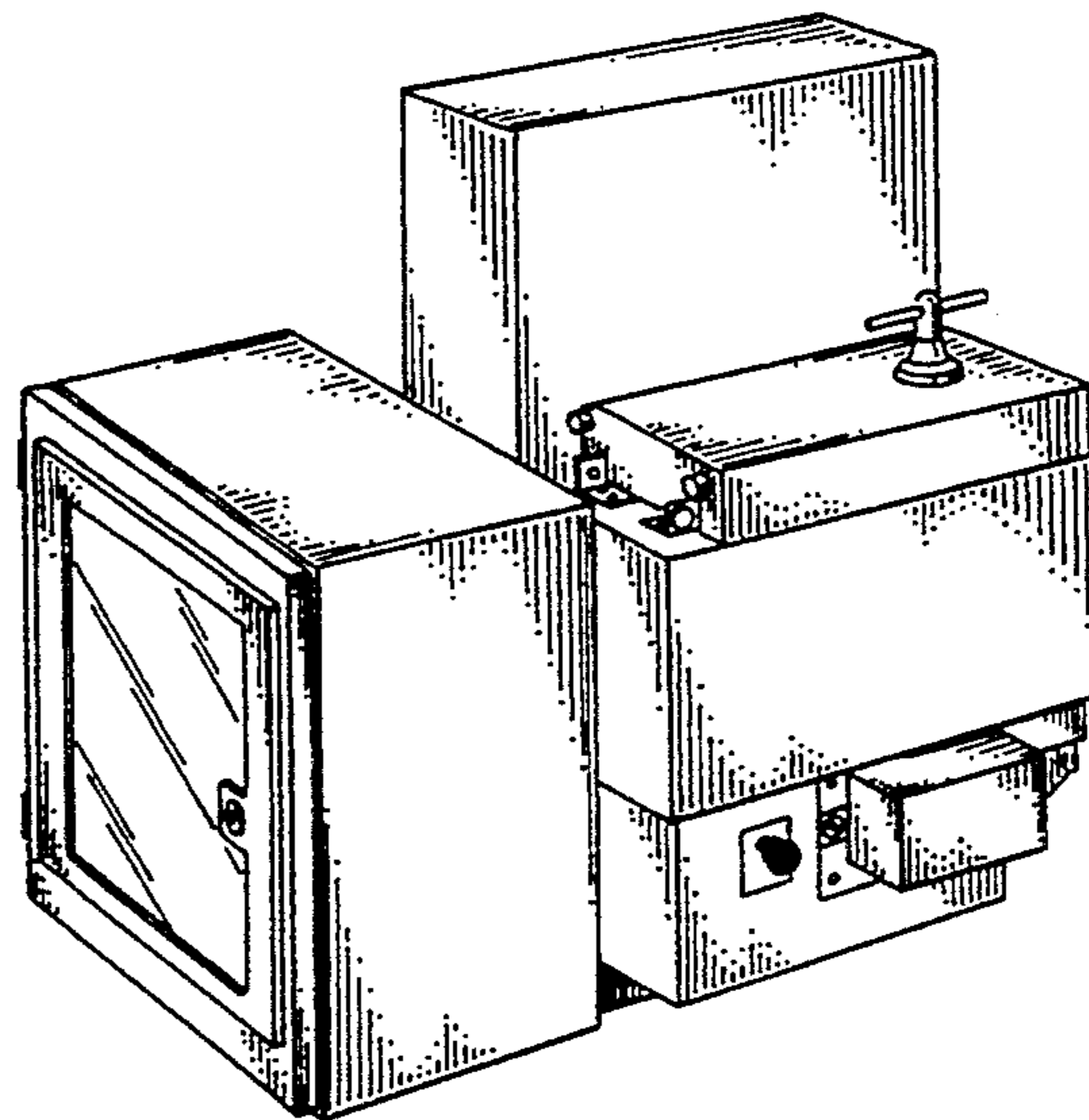
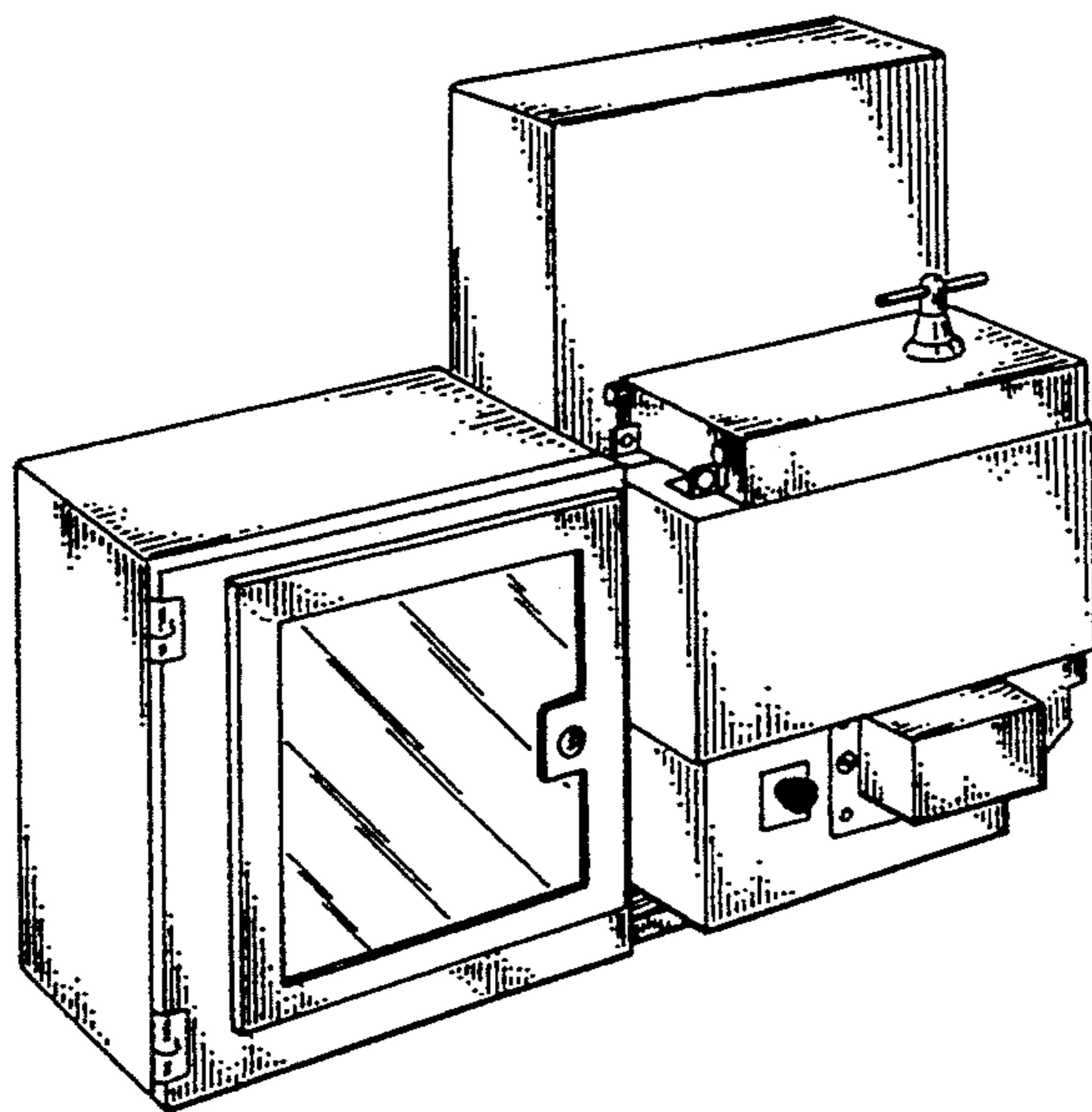


FIG.-1

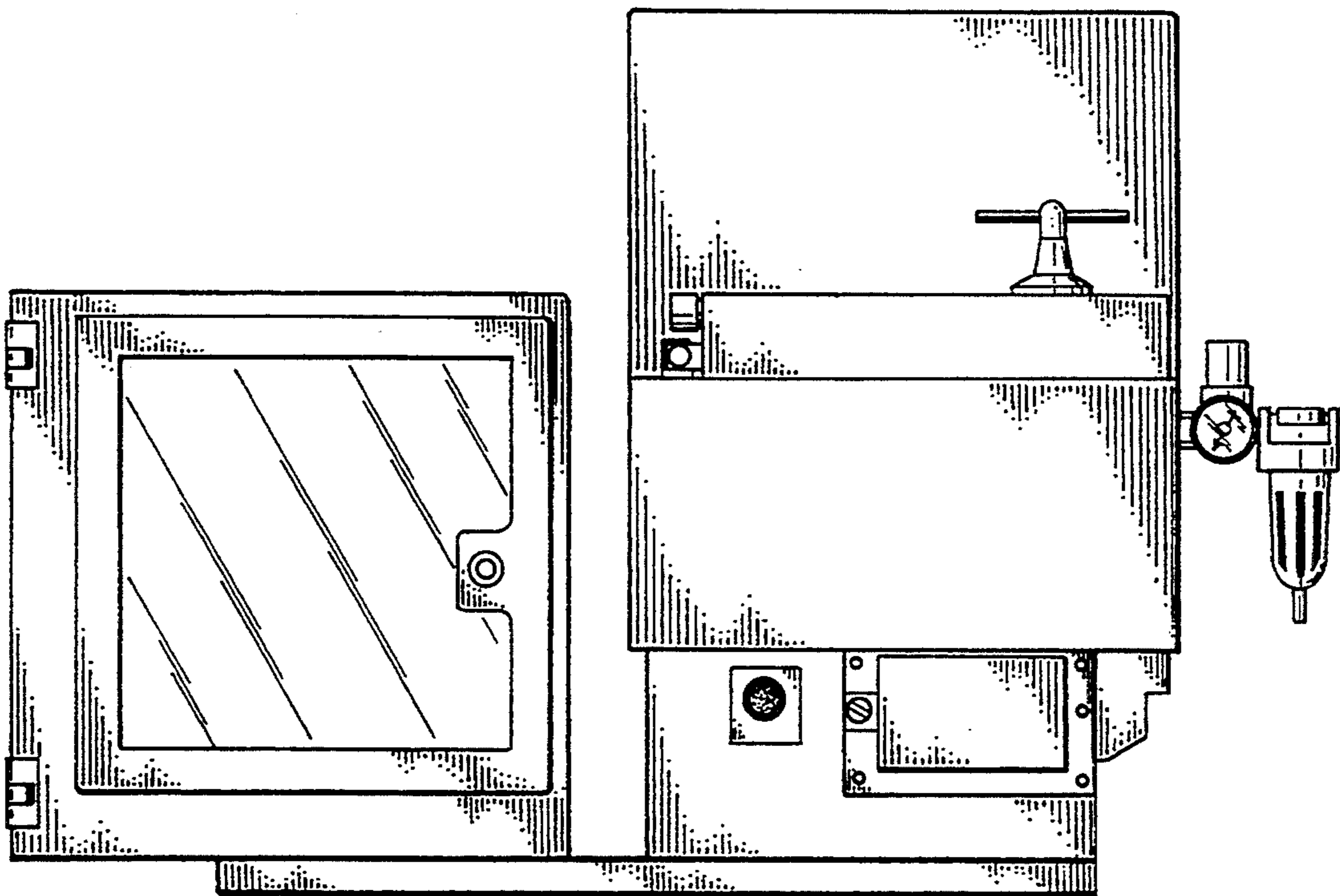
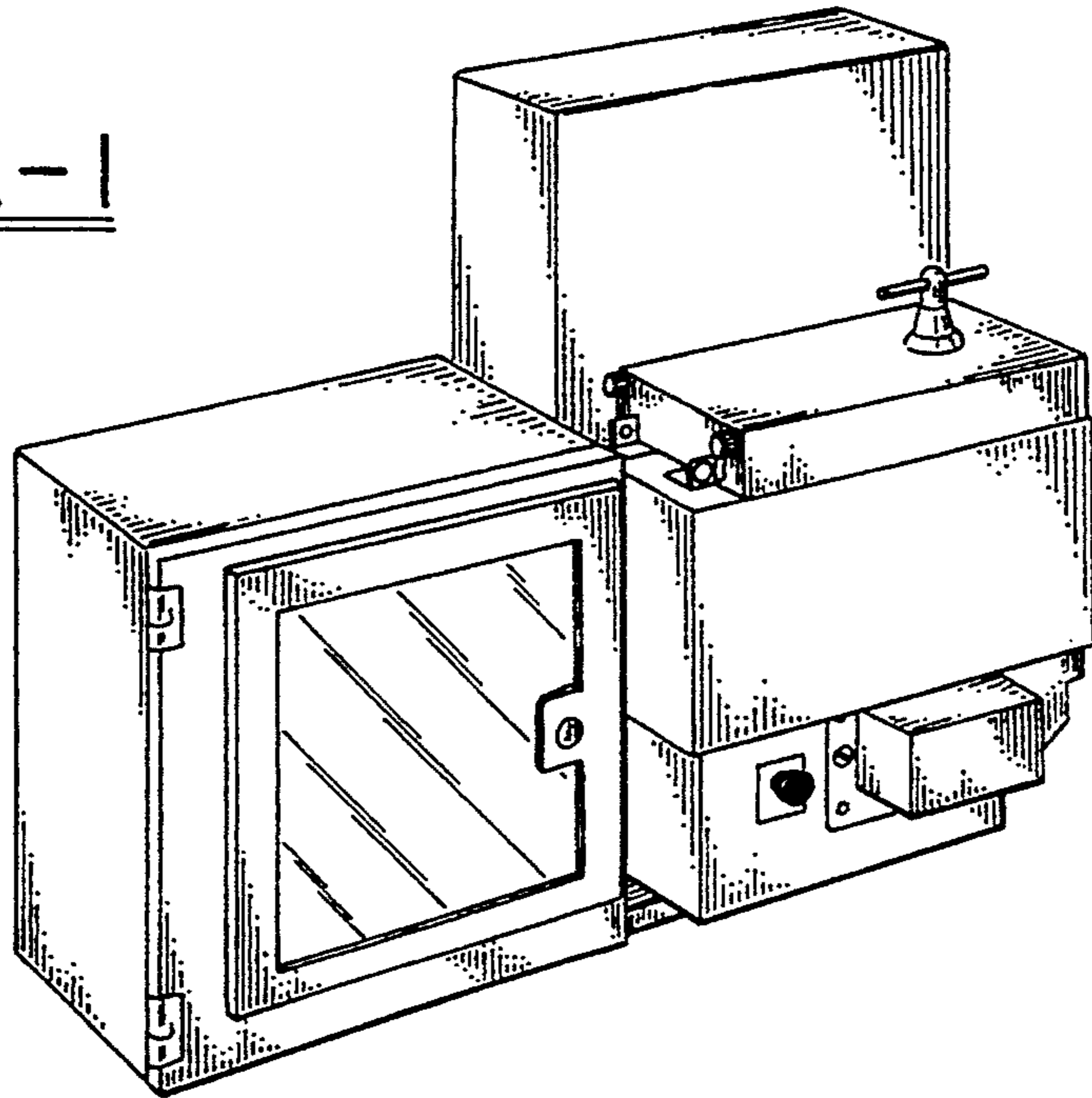


FIG.-2

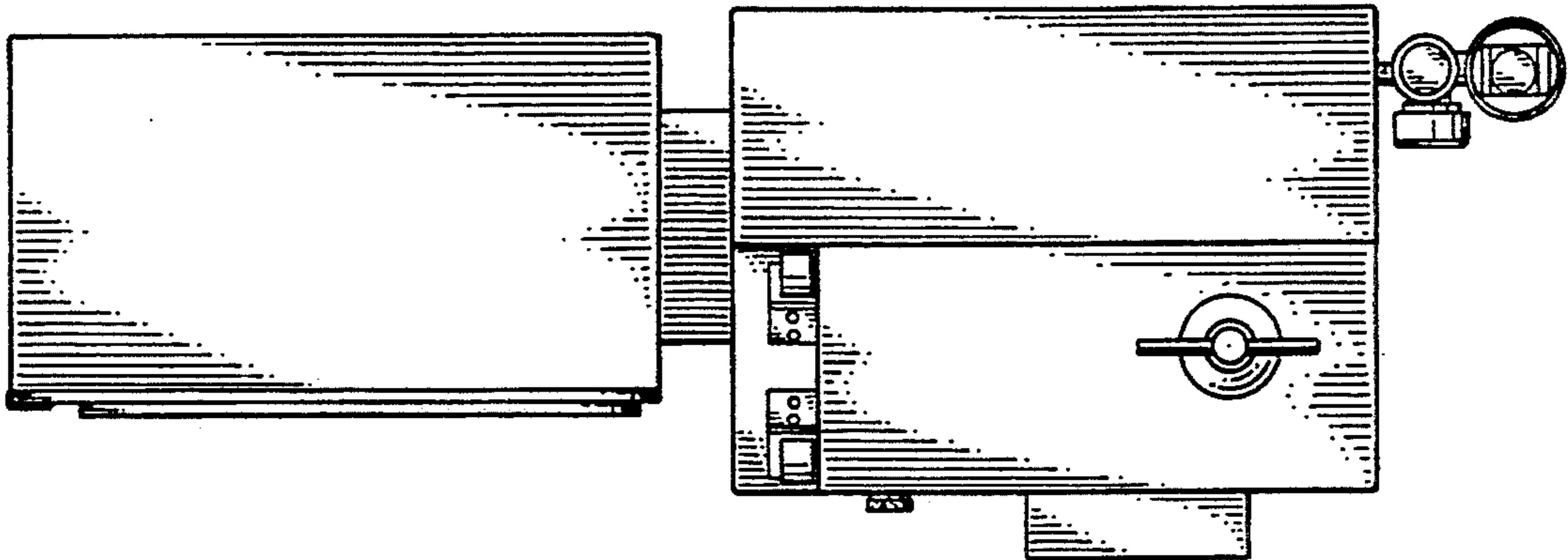


FIG. - 3

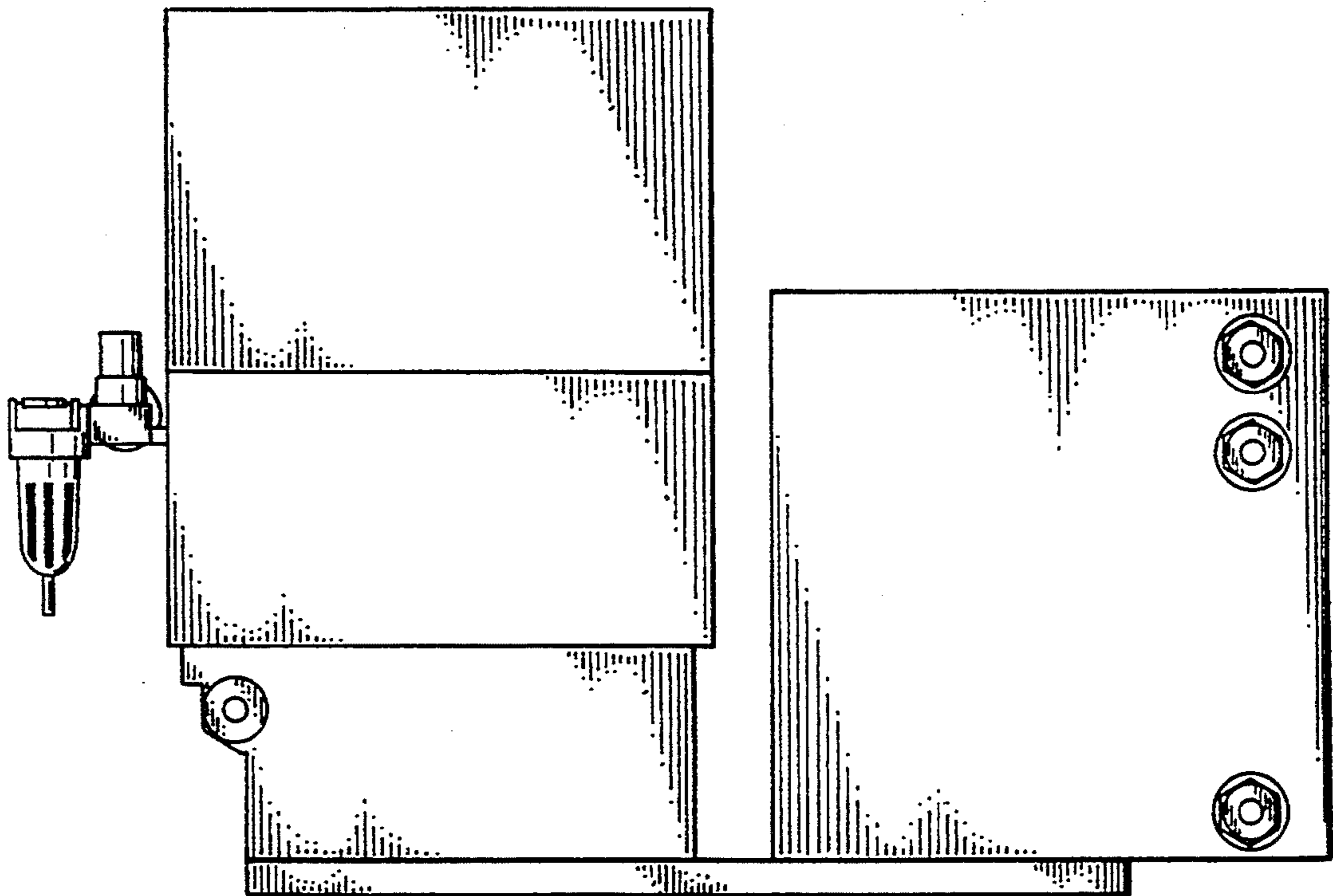


FIG. - 4

FIG.-5

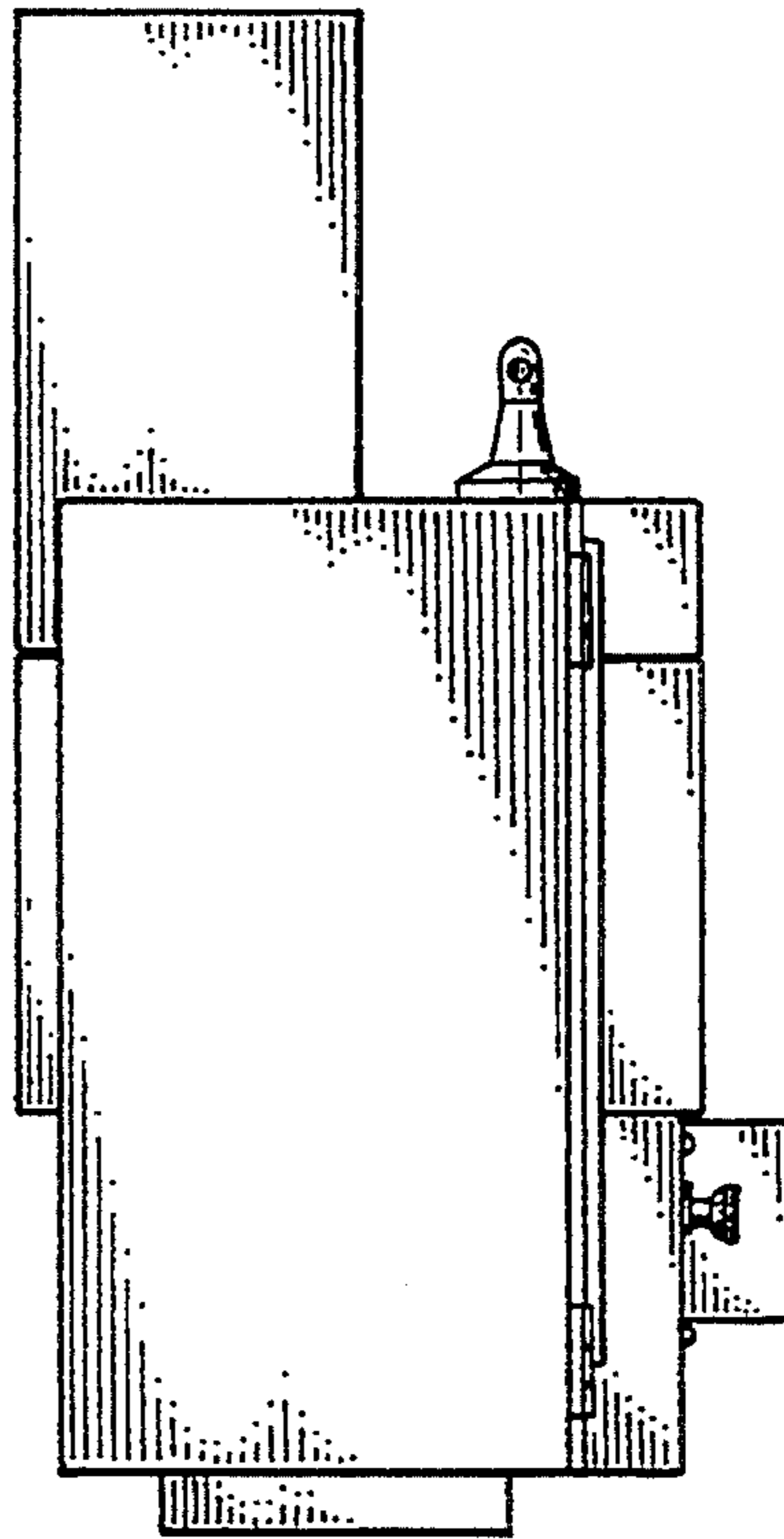
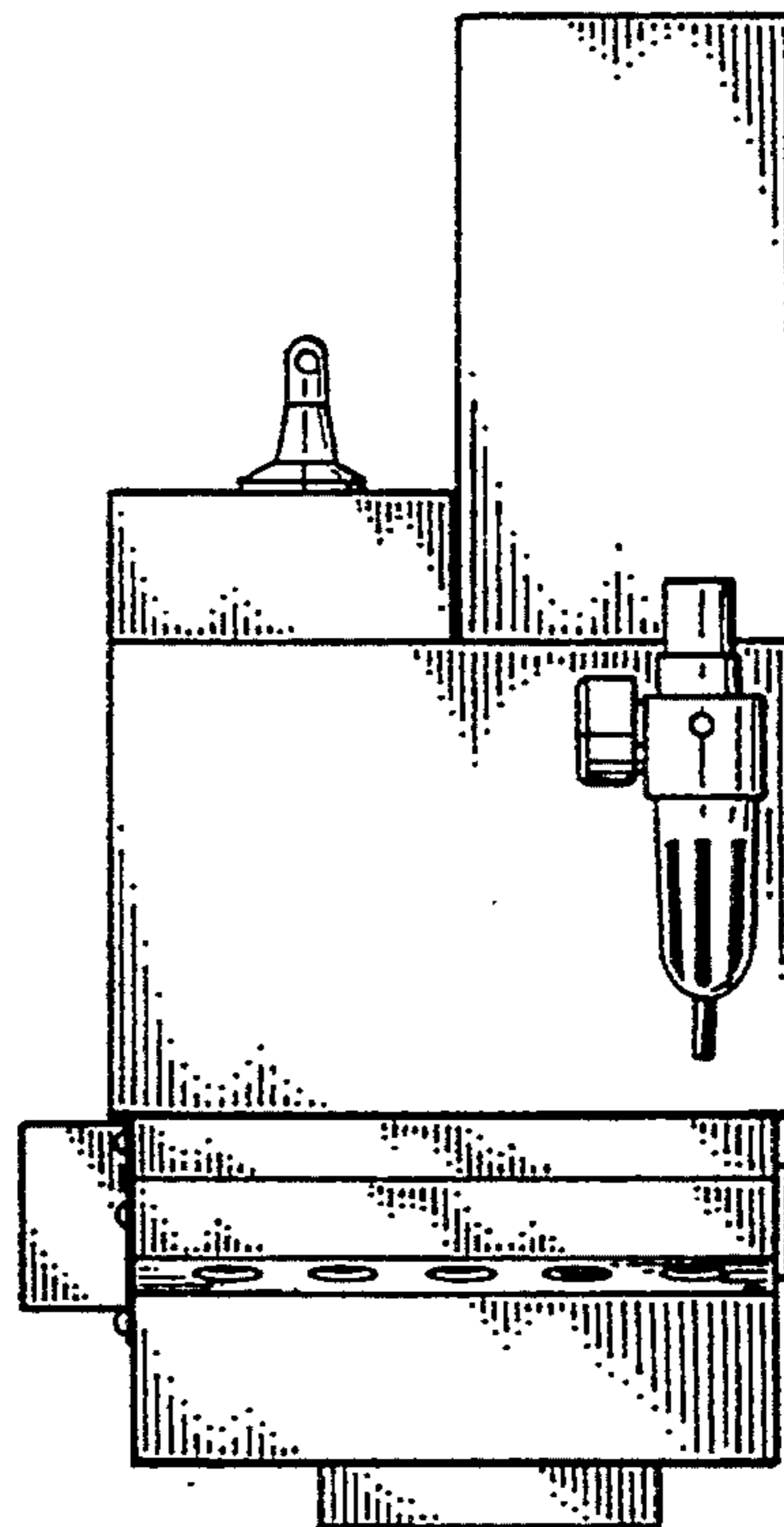


FIG.-6



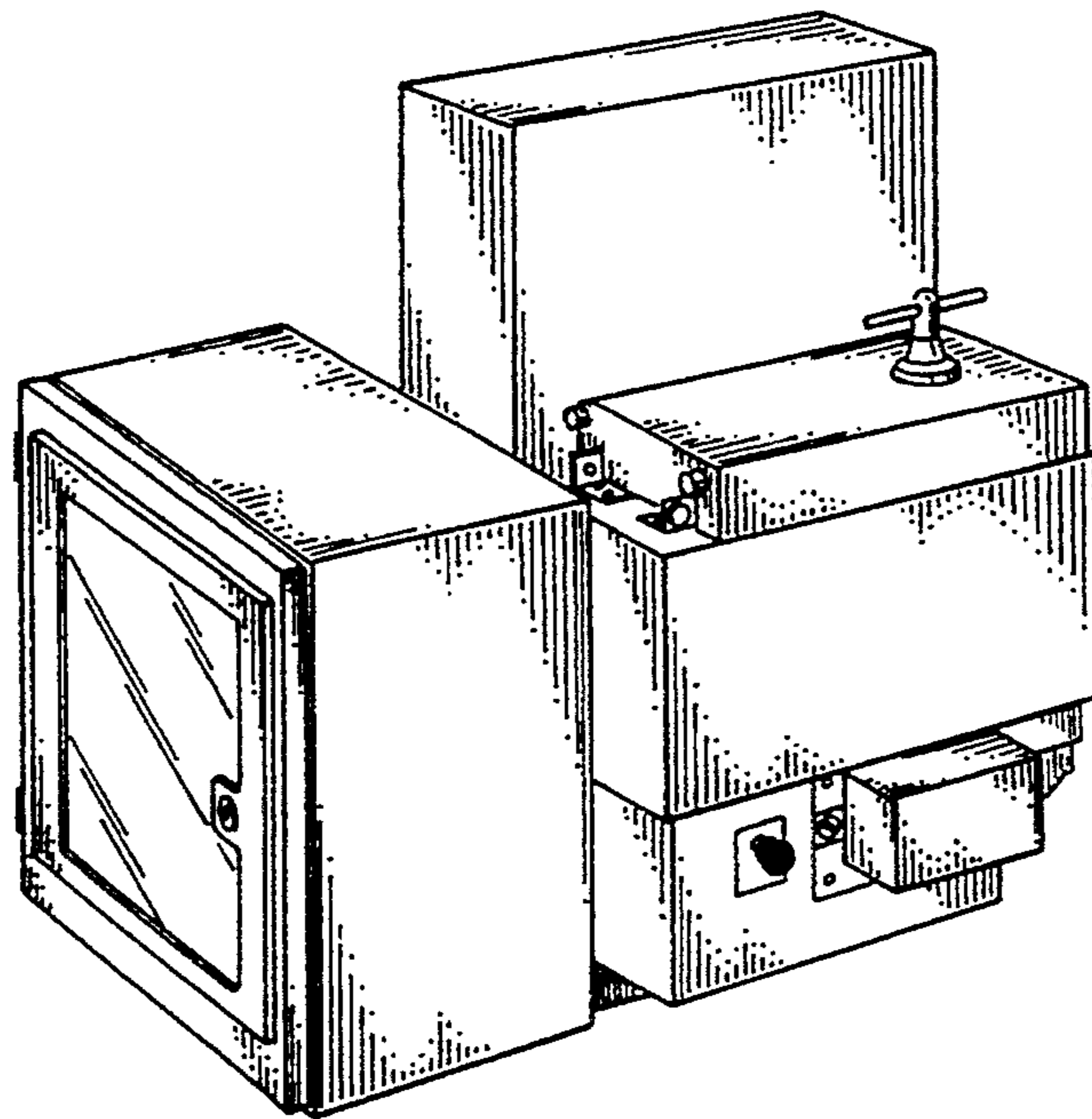


FIG.-7

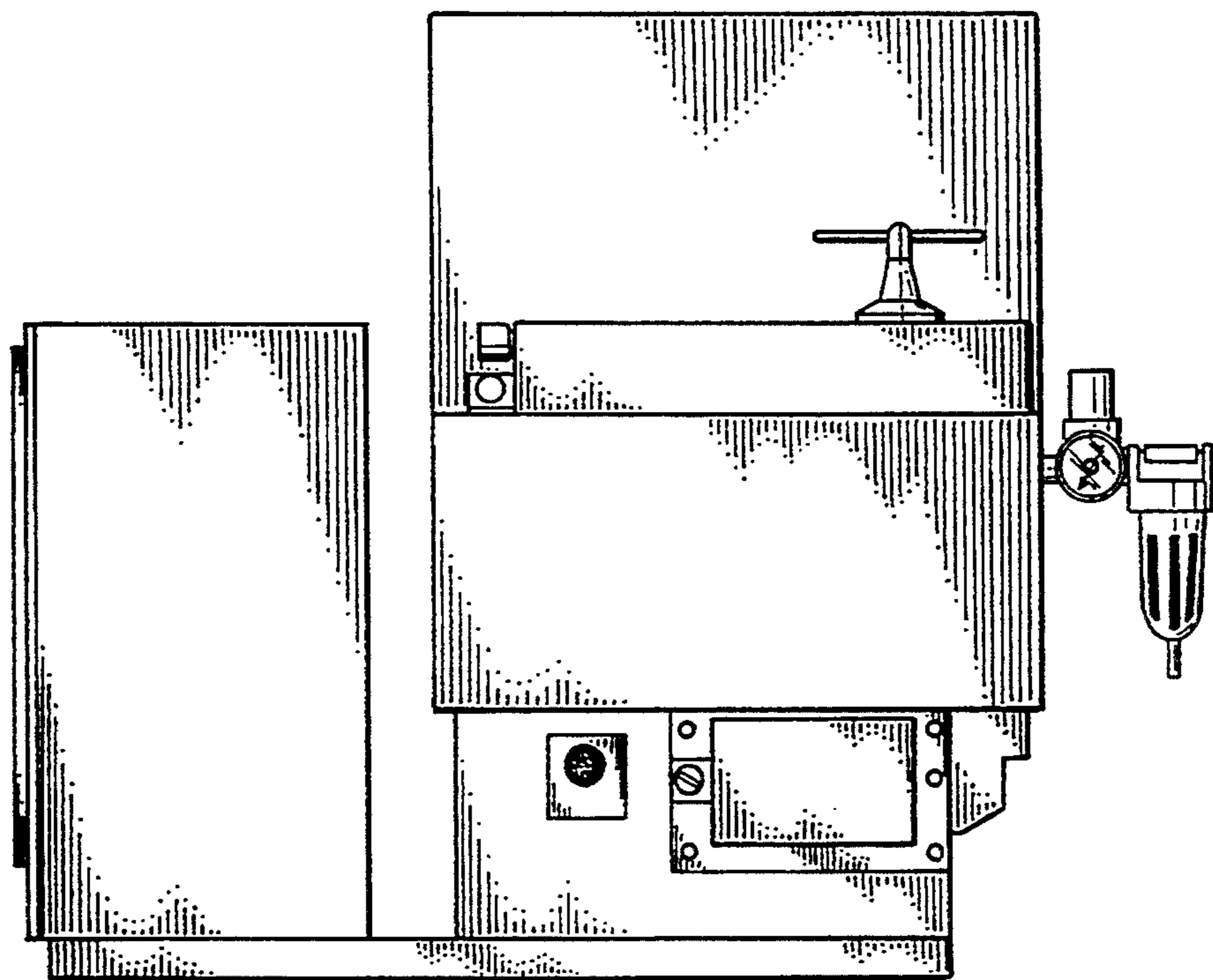


FIG.-8

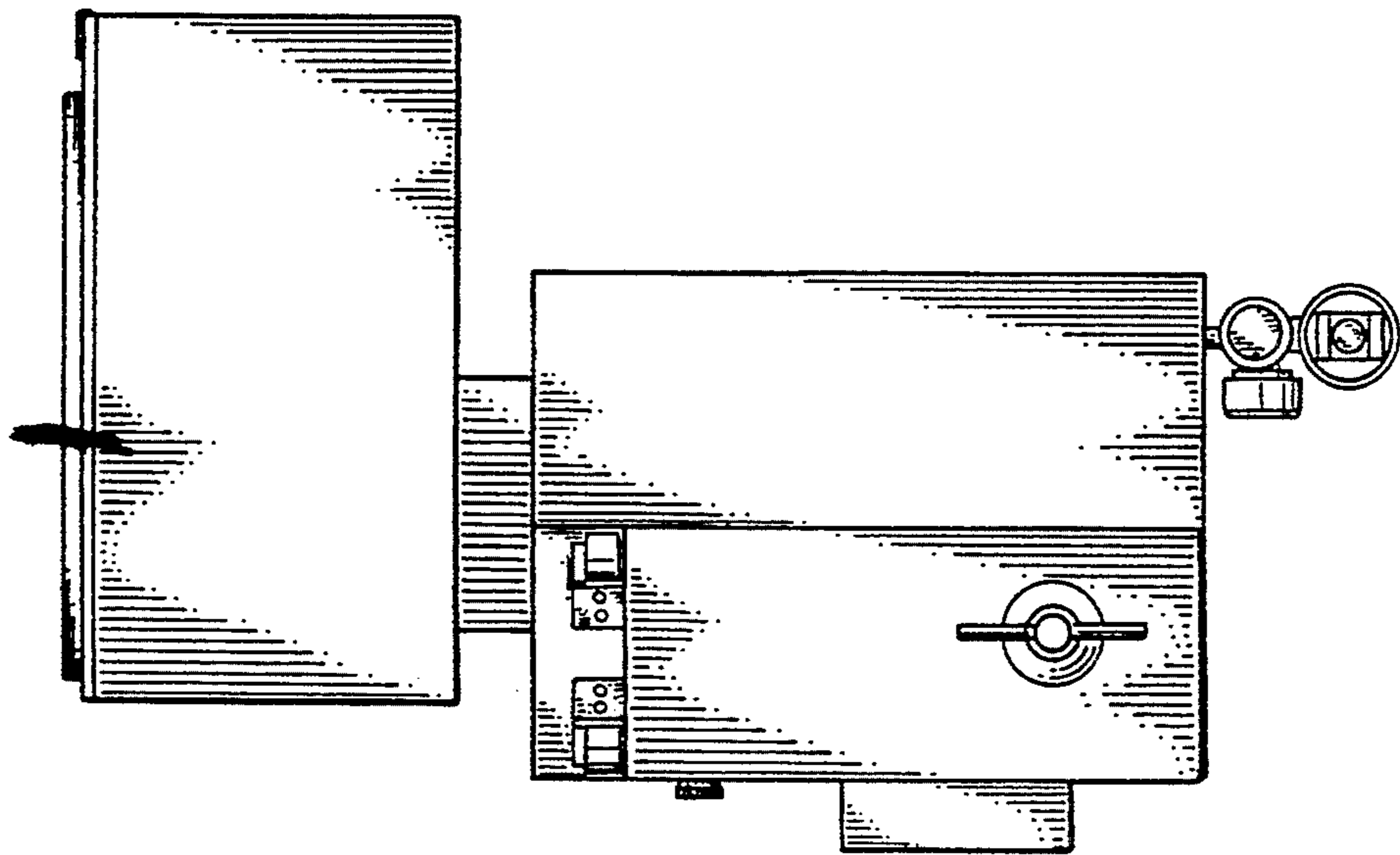


FIG. - 9

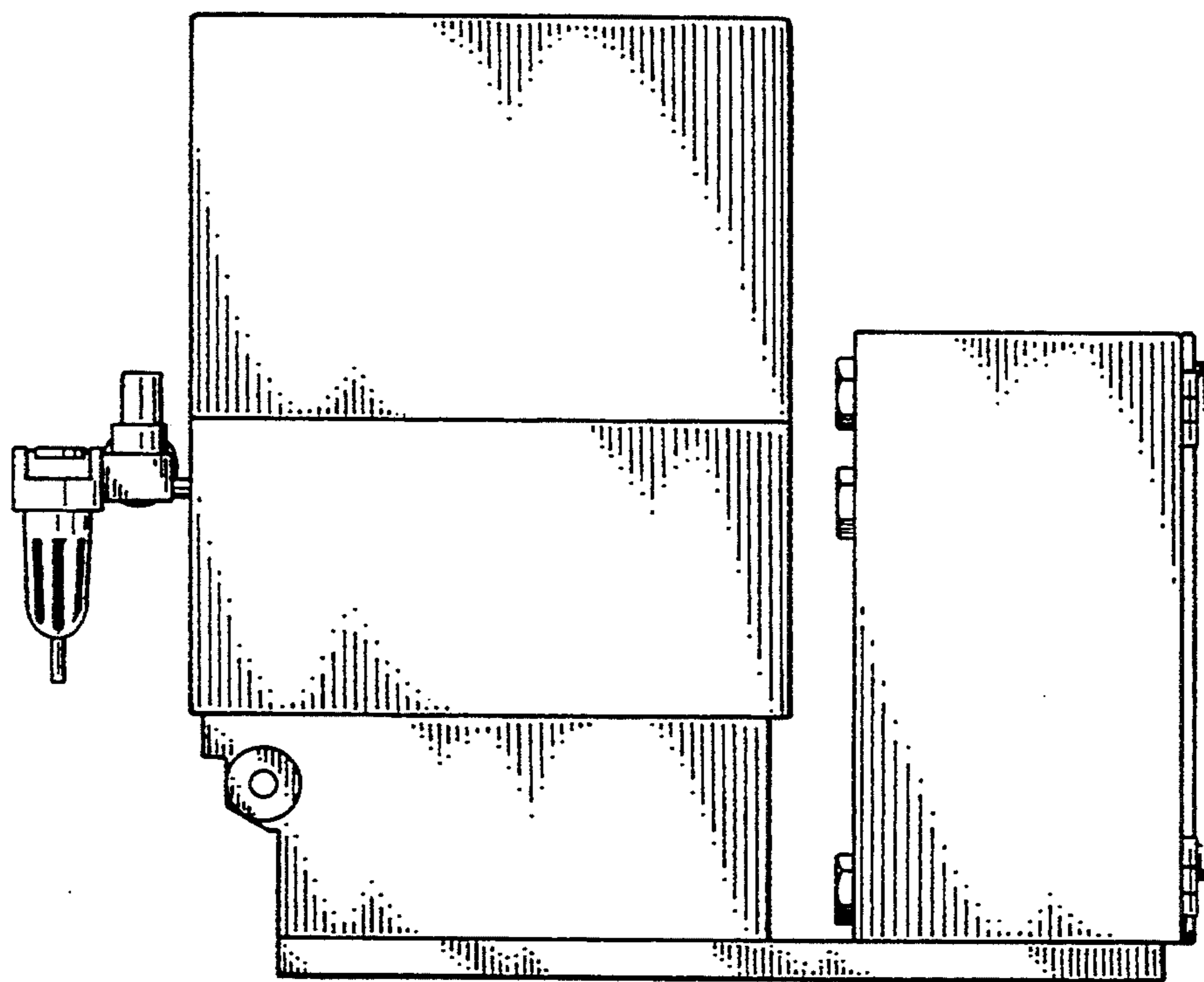


FIG. - 10

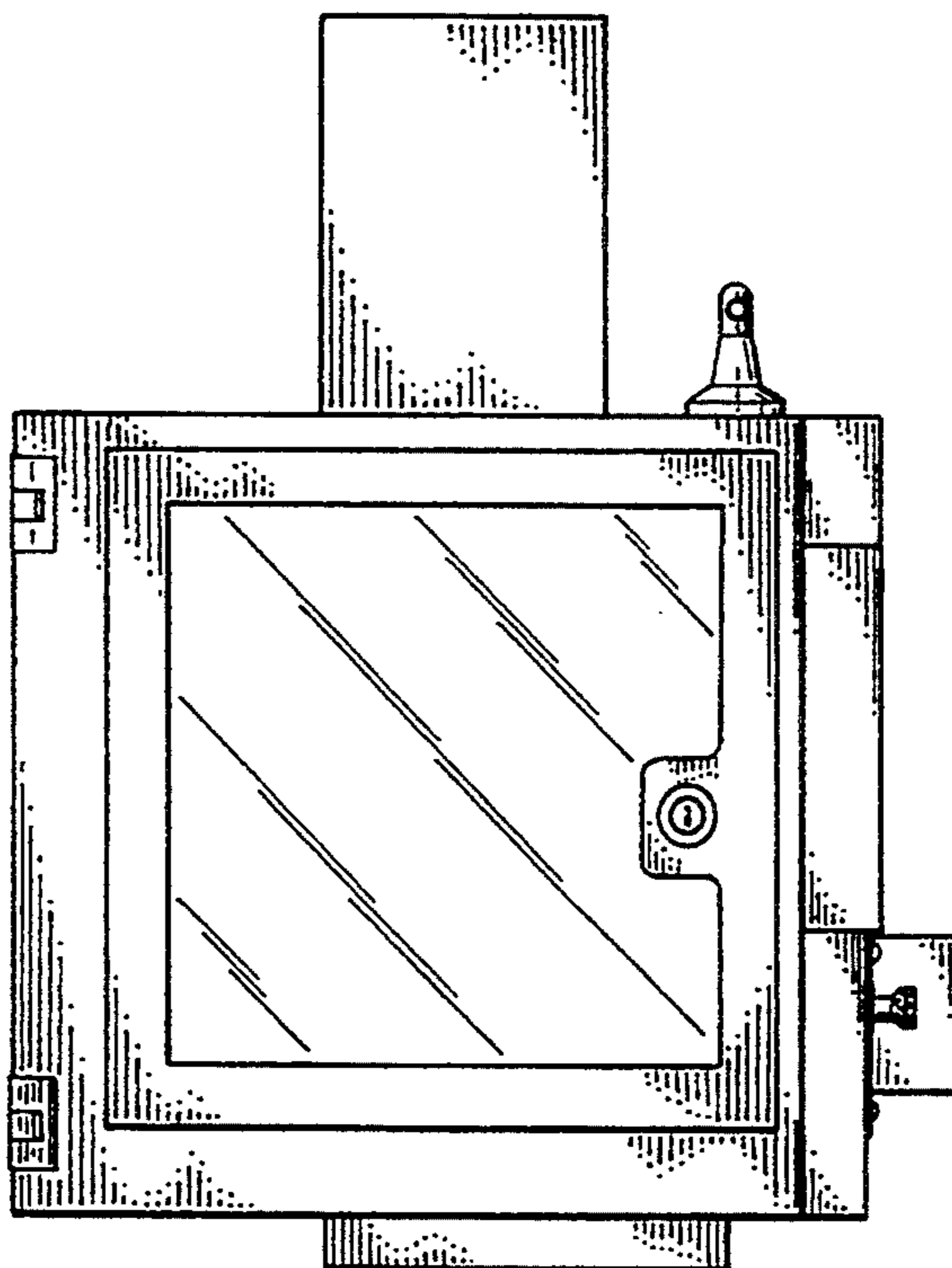


FIG. - 11

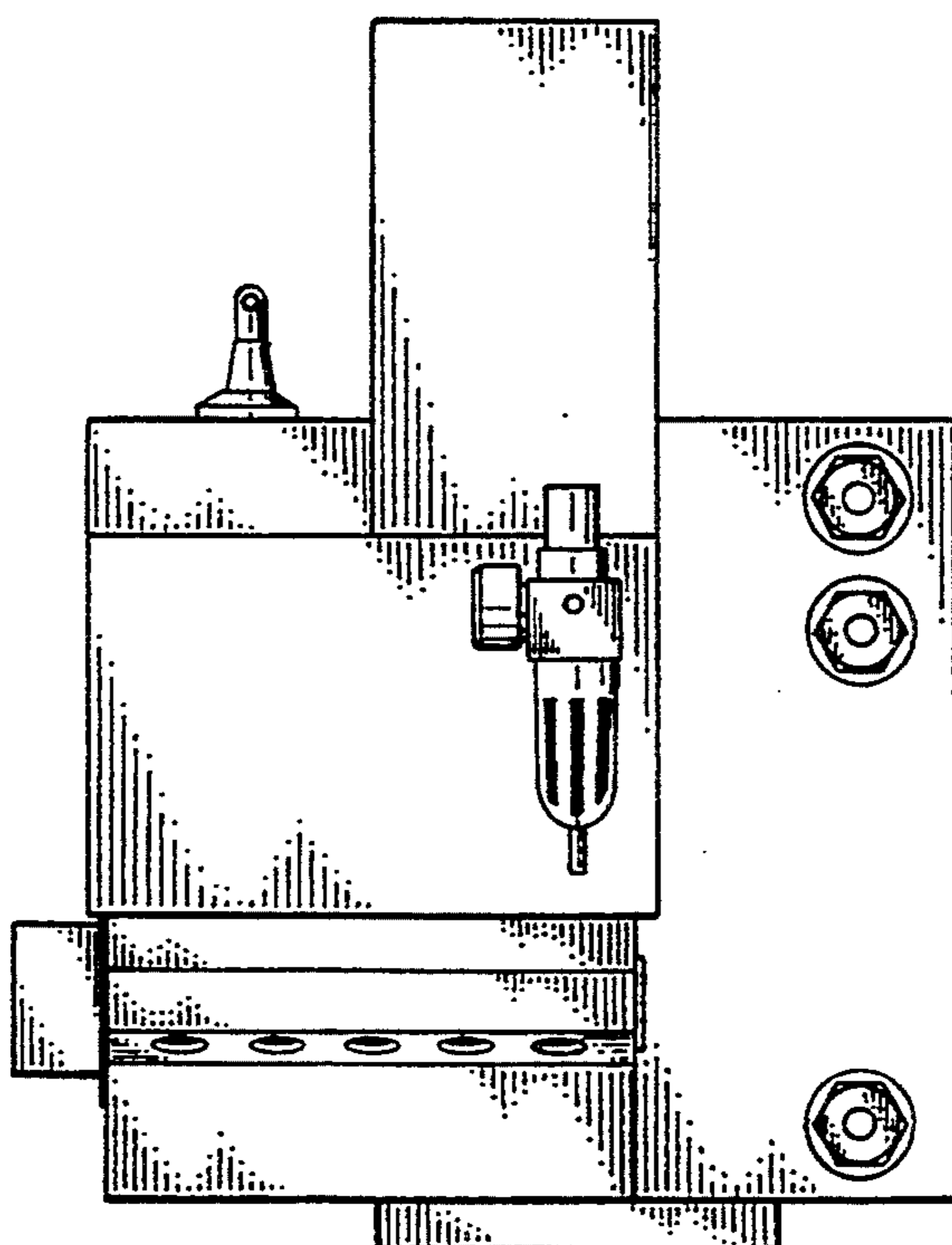


FIG. - 12