



US00D360421S

United States Patent [19]

[11] Patent Number: **Des. 360,421**

Schulz et al.

[45] Date of Patent: **** Jul. 18, 1995**

[54] **HAMMER TIP**

4,871,119 10/1989 Murata et al. 241/197 X
5,058,815 10/1991 Pozzato et al. 241/195 X

[75] Inventors: **Curtis Schulz; Greg Madsen**, both of Highland; **Glenn Austin**, Redlands, all of Calif.

Primary Examiner—Antoine Duval Davis
Attorney, Agent, or Firm—Donald D. Mon

[73] Assignee: **Plana, Inc.**, San Bernardino, Calif.

[57] **CLAIM**

[**] Term: **14 Years**

The ornamental design for a hammer tip, as shown and described.

[21] Appl. No.: **22,183**

DESCRIPTION

[22] Filed: **Apr. 29, 1994**

[52] U.S. Cl. **D15/126; D15/138**

[58] Field of Search **D15/126, 138; 241/73, 241/86, 88.2, 101.7, 186 R, 186.3, 189.1, 189.2, 195, 196, 197, 194, 222, 285.1, 285.2, 285.3**

FIG. 1 is a perspective view of a hammer tip according to the invention;

FIG. 2 is a top view of the hammer tip shown in FIG. 1;

FIG. 3 is a cross-section taken at line 3—3 in FIG. 2;

FIG. 4 is a bottom view of FIG. 2;

FIG. 5 is a side view of the hammer tip, with the opposite side view being identical; and,

FIG. 6 is an end view of the hammer tip, with the opposite end view being identical.

[56] **References Cited**

U.S. PATENT DOCUMENTS

3,598,008 8/1971 Jacobson 241/195 X
3,917,179 11/1975 Graf 241/195 X

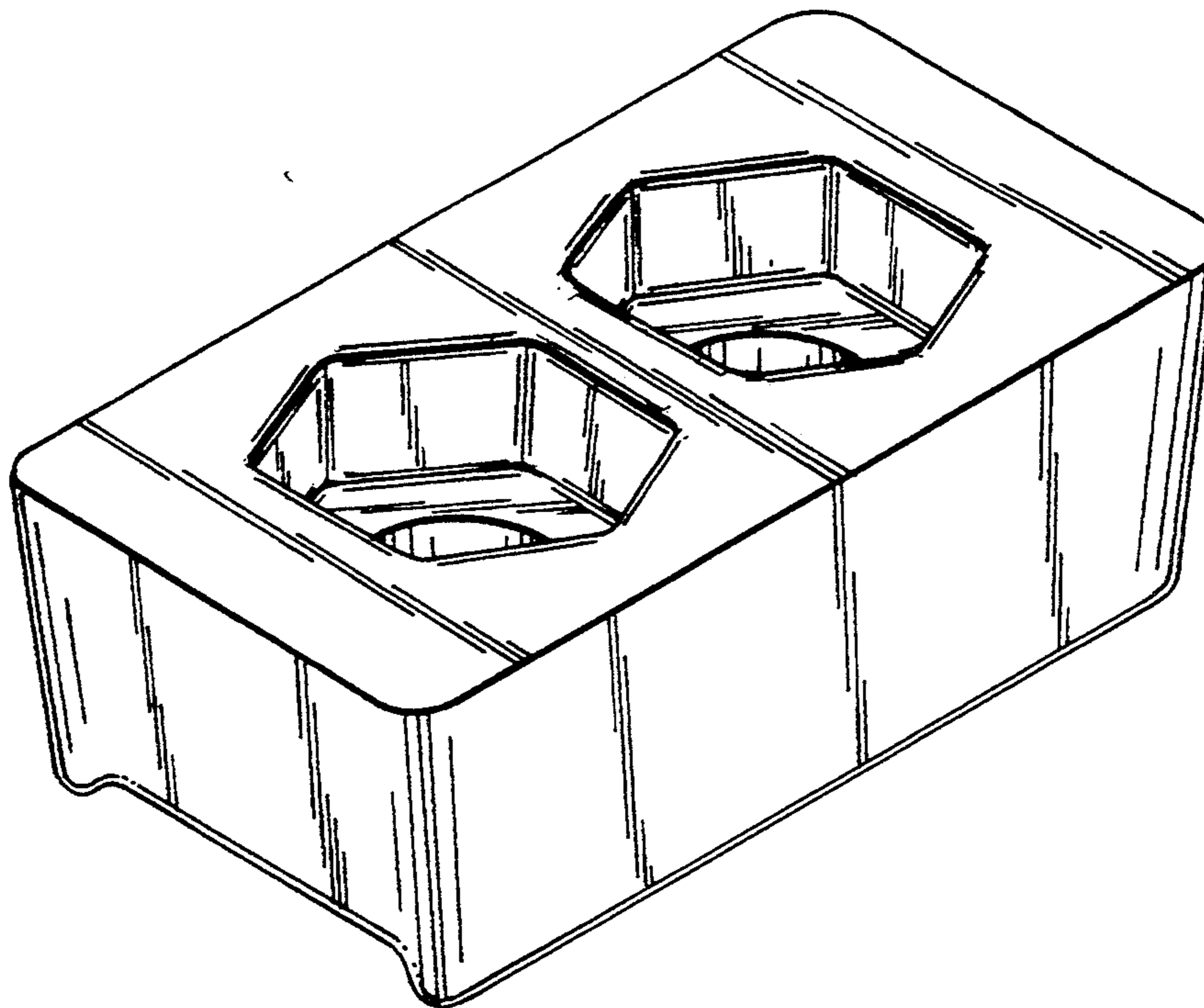


Fig. 1

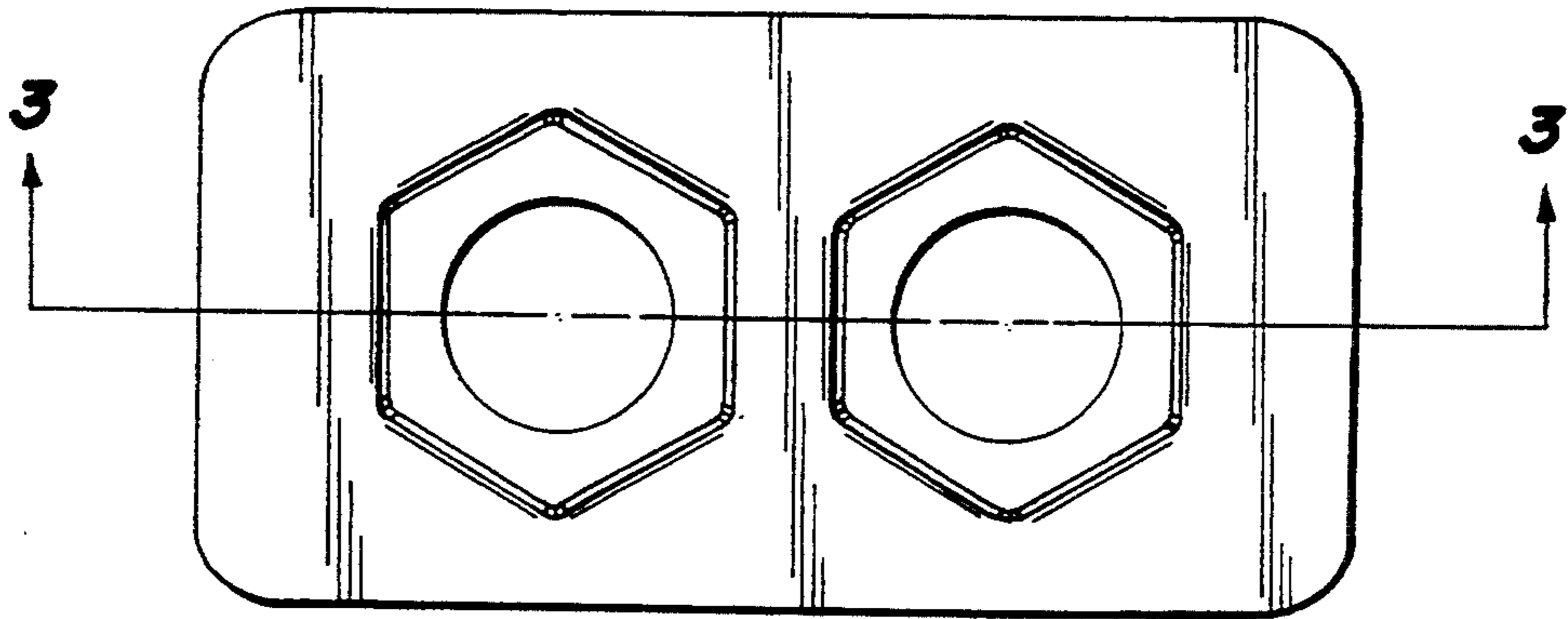
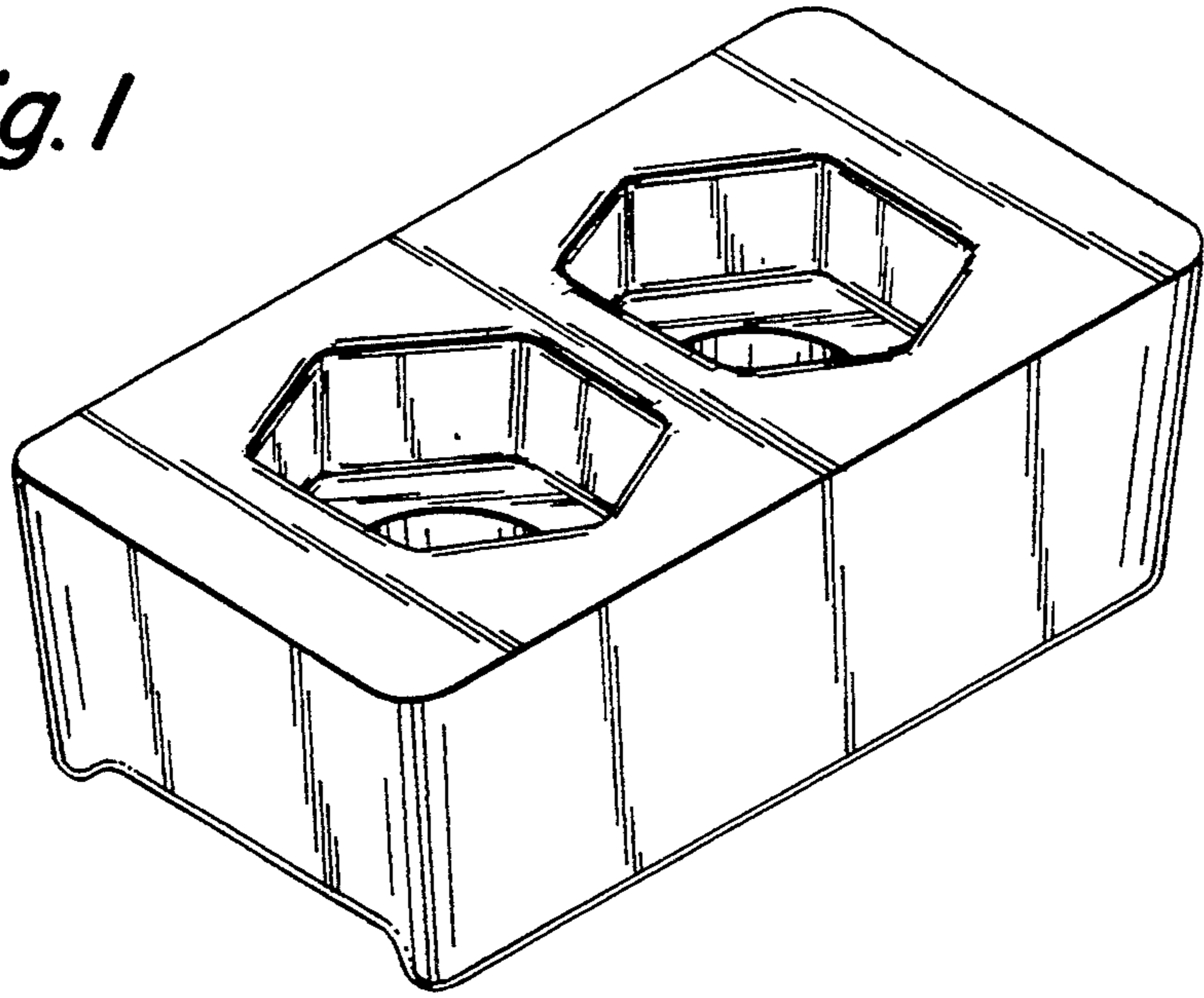


Fig. 2

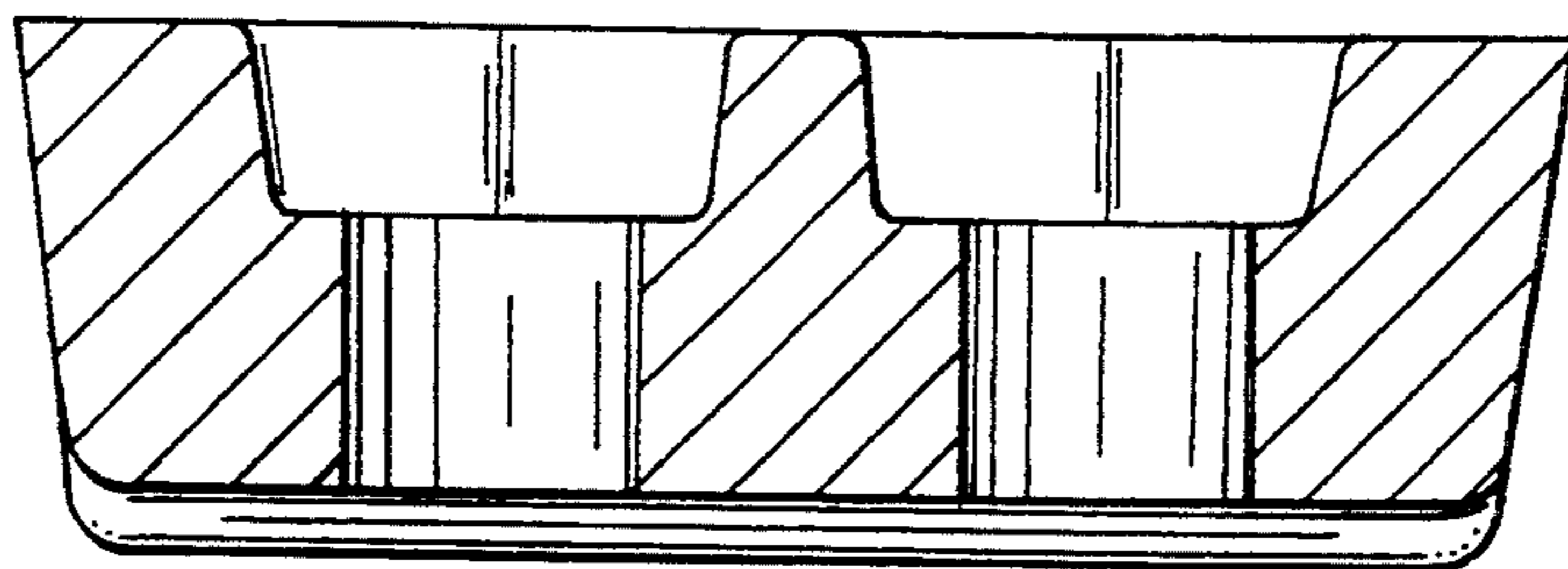


Fig. 3

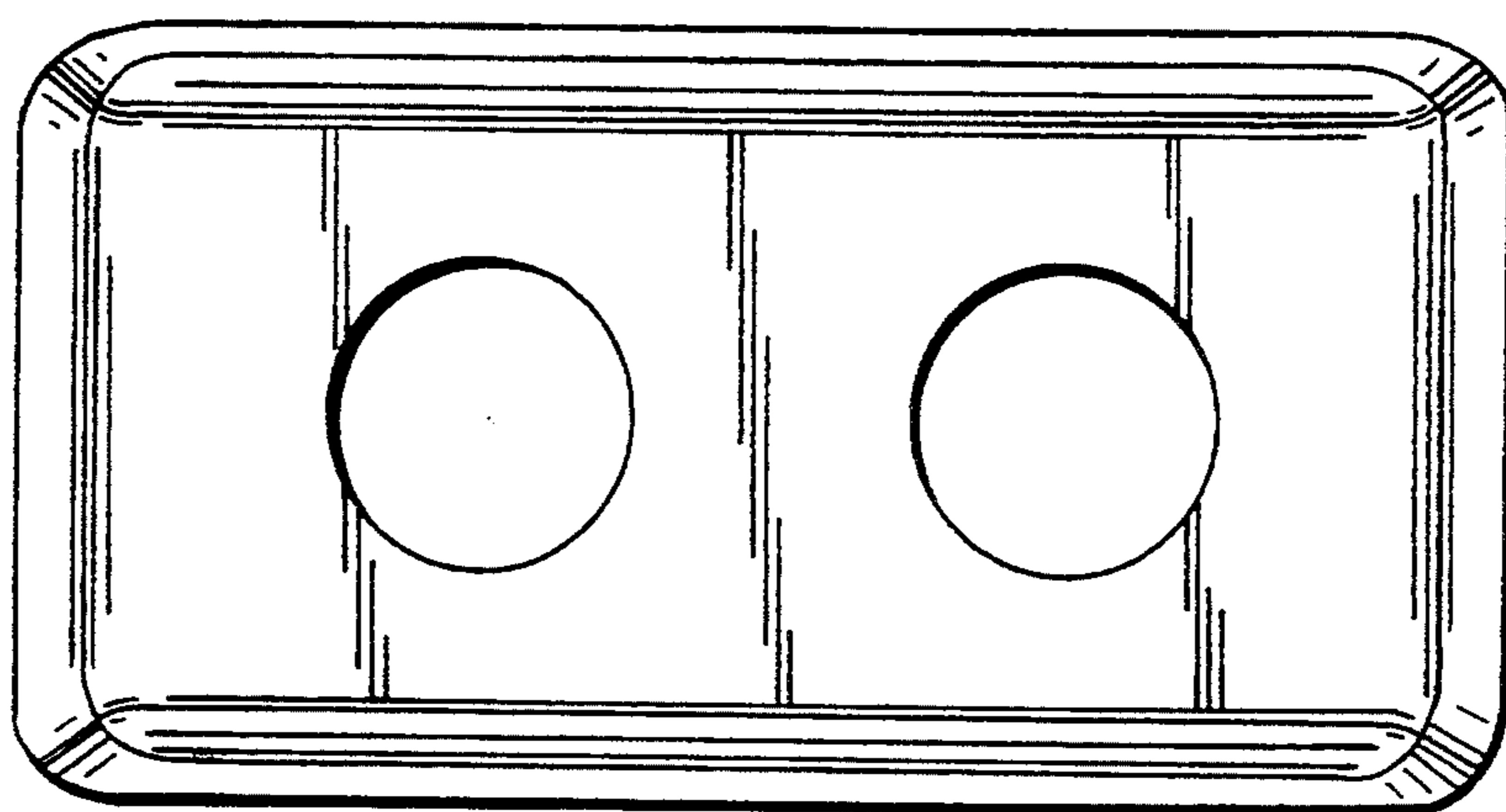


Fig. 4

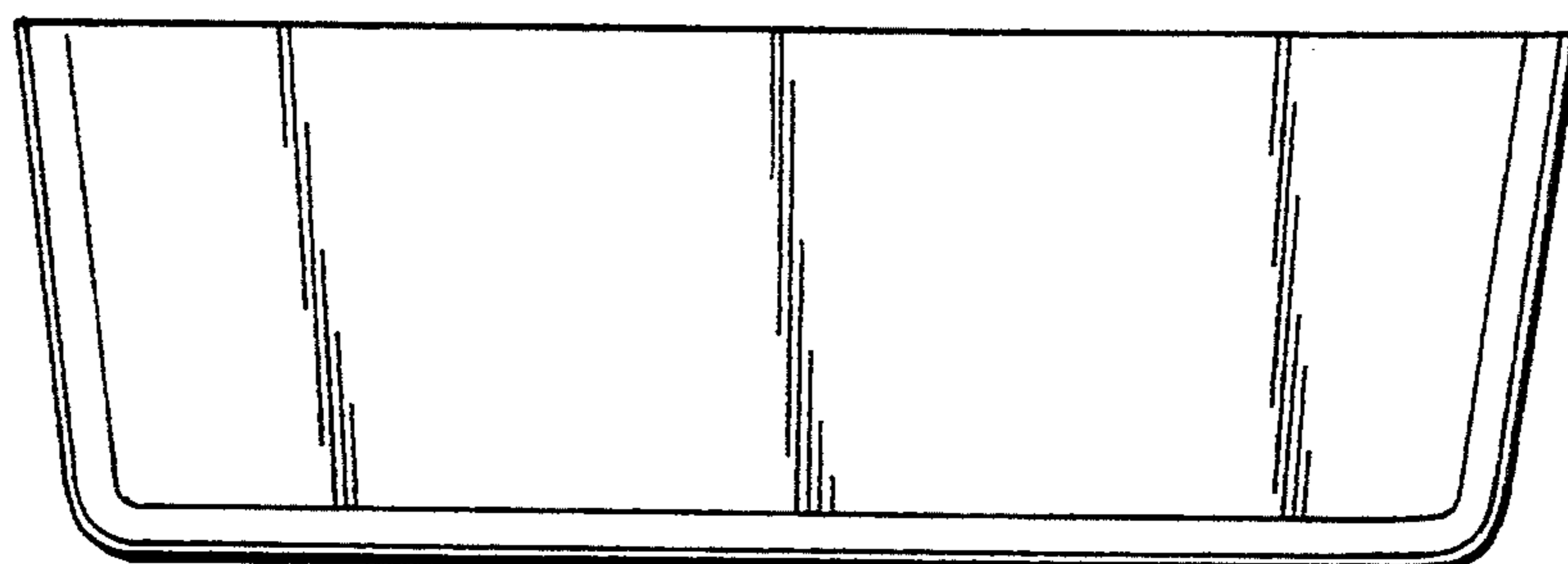


Fig. 5

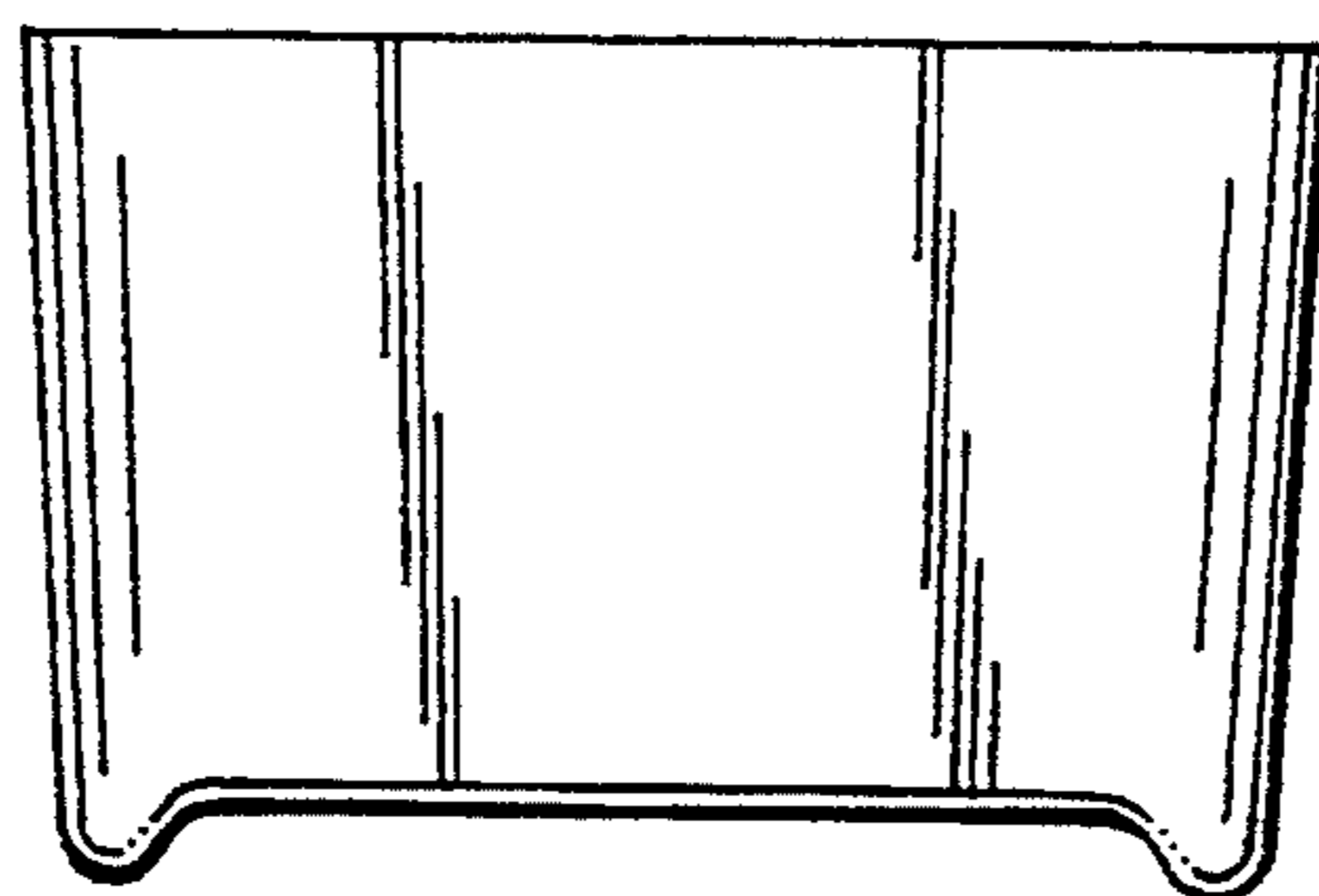


Fig. 6