



US00D360412S

United States Patent [19]

[11] Patent Number: **Des. 360,412**

Franz

[45] Date of Patent: **** Jul. 18, 1995**

[54] **COMBINED POINTING STICK AND SURROUNDING KEYCAP FOR USE IN A COMPUTER KEYBOARD**

[75] Inventor: **Patrick J. Franz, Portland, Oreg.**

[73] Assignee: **InControl Solutions, Inc., Clackamas, Oreg.**

[**] Term: **14 Years**

[21] Appl. No.: **18,842**

[22] Filed: **Feb. 16, 1994**

[52] U.S. Cl. **D14/115**

[58] Field of Search D14/100, 101, 106, 107, D14/114, 115; D18/1, 2, 7, 11, 12; 235/145 A, 145 R; 200/5 A, 5 R, 6 A, 6 R; 341/22, 23; 345/167, 168, 160, 161; 364/708.1; 400/472, 479, 484-486, 488, 489, 682; 361/683

[56] **References Cited**

U.S. PATENT DOCUMENTS

D. 340,696	10/1993	Barrett	D14/107 X
4,896,003	1/1990	Hsieh	200/5 A X
5,294,121	3/1994	Chiang	200/5 A X
5,343,219	8/1994	DuBosque, Jr.	200/6 A X

OTHER PUBLICATIONS

IBM Technical Disclosure Bulletin vol. 22, No. 7 Dec.

1979 pp. 2663-2664 *Dual-Function Key For Upper And Lower Print Control.*

IBM Technical Disclosure Bulletin vol. 33 No. 9 Feb. 1991 pp. 428-430 *Enlarged Cursor Key With Trackball.*
Toshiba 1993 T3400CT Computer.

Primary Examiner—Freda S. Nunn

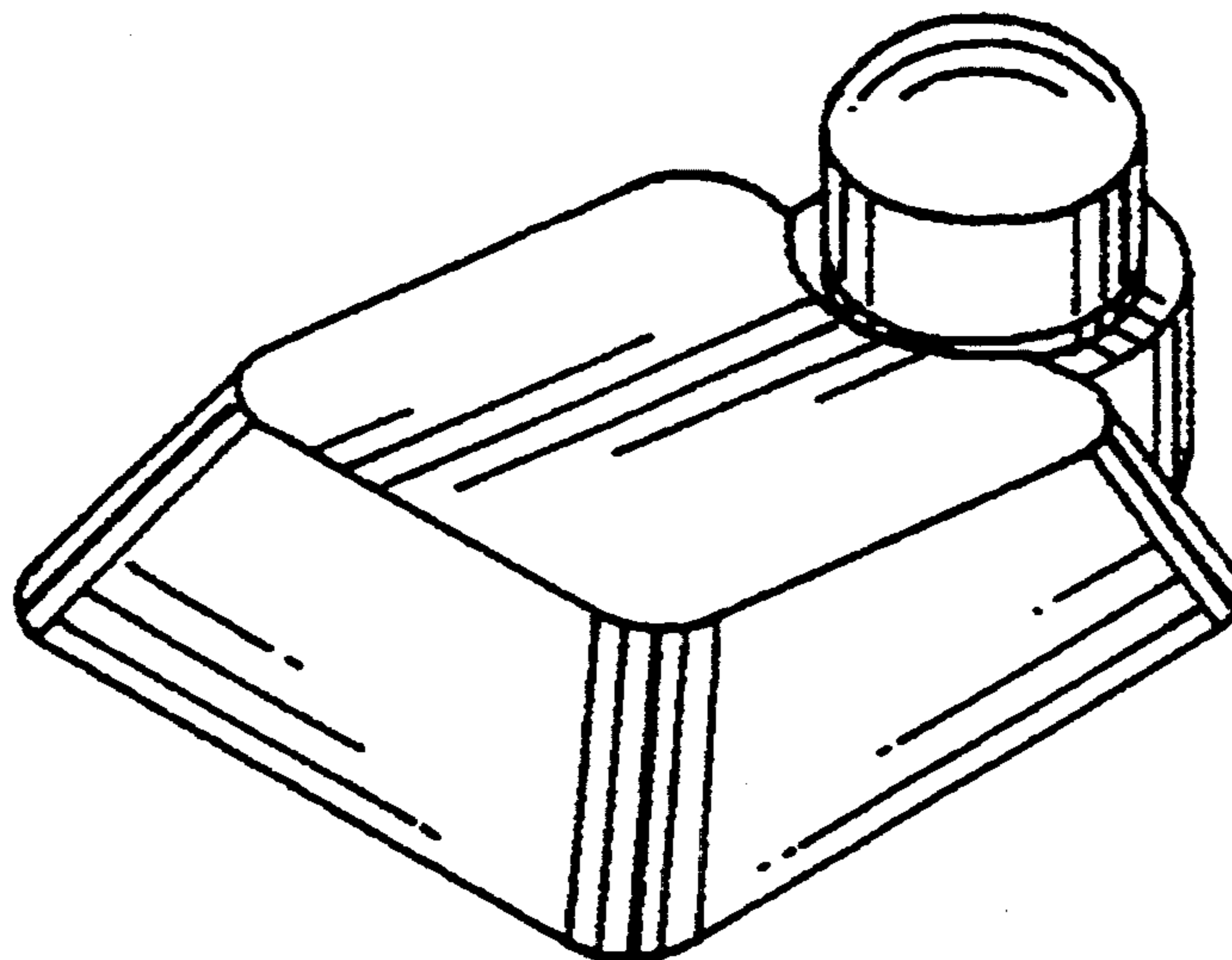
Attorney, Agent, or Firm—Marger, Johnson, McCollom & Stolowitz

[57] **CLAIM**

The ornamental design for a combined pointing stick and surrounding keycap for use in a computer keyboard, as shown and described.

DESCRIPTION

FIG. 1 is a perspective view of the combined pointing stick and surrounding keycap, showing my new design; FIG. 2 is a rear elevational view thereof; FIG. 3 is a front elevational view thereof; FIG. 4 is a right side, elevational view, the left side being substantially a mirror image thereof; FIG. 5 is a bottom plan view thereof; and, FIG. 6 is a top plan view thereof shown disposed in a computer keyboard wherein the surrounding keys are shown in broken lines for illustrative purposes only and form no part of the claimed design.



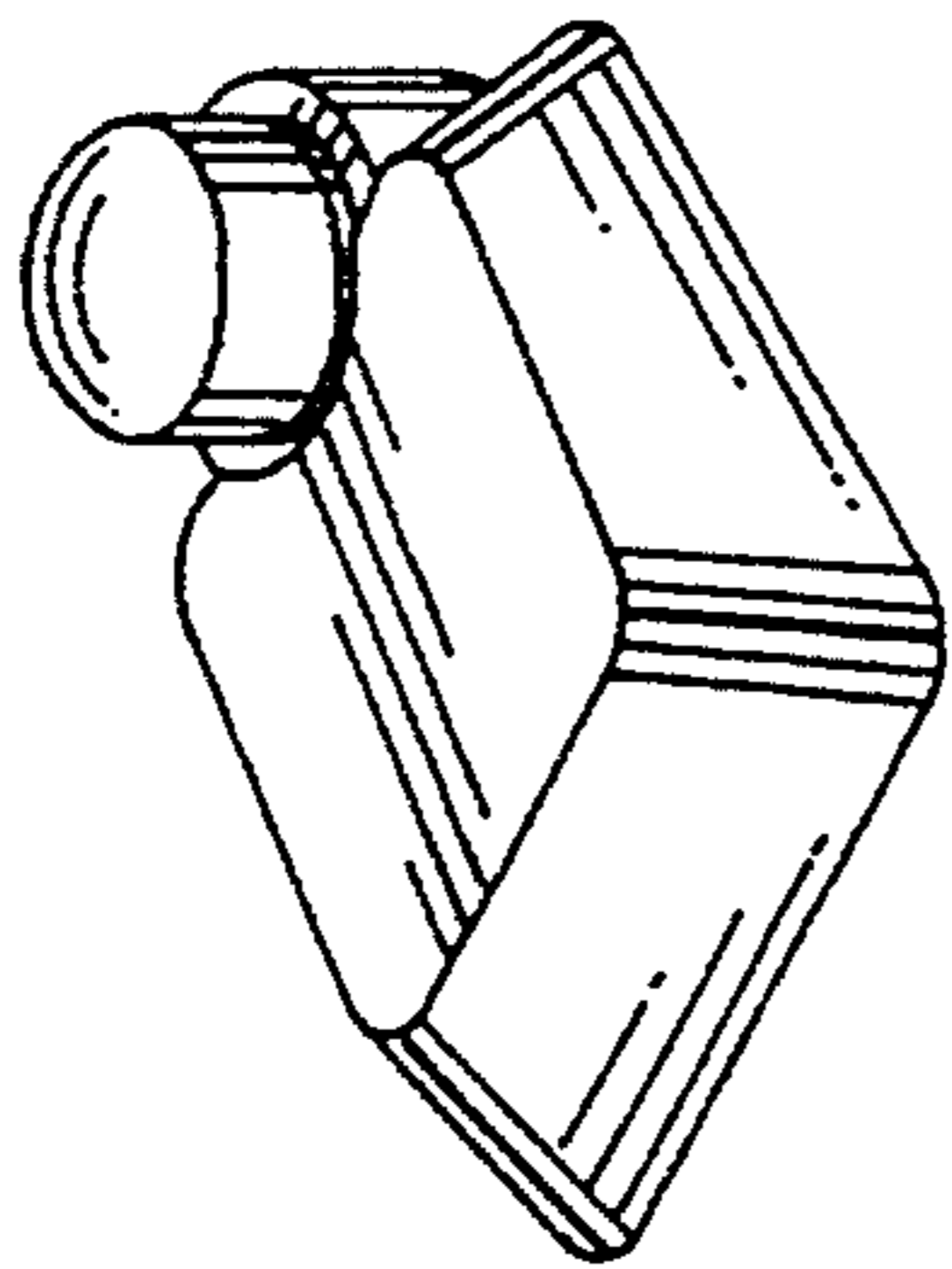


FIG. 1

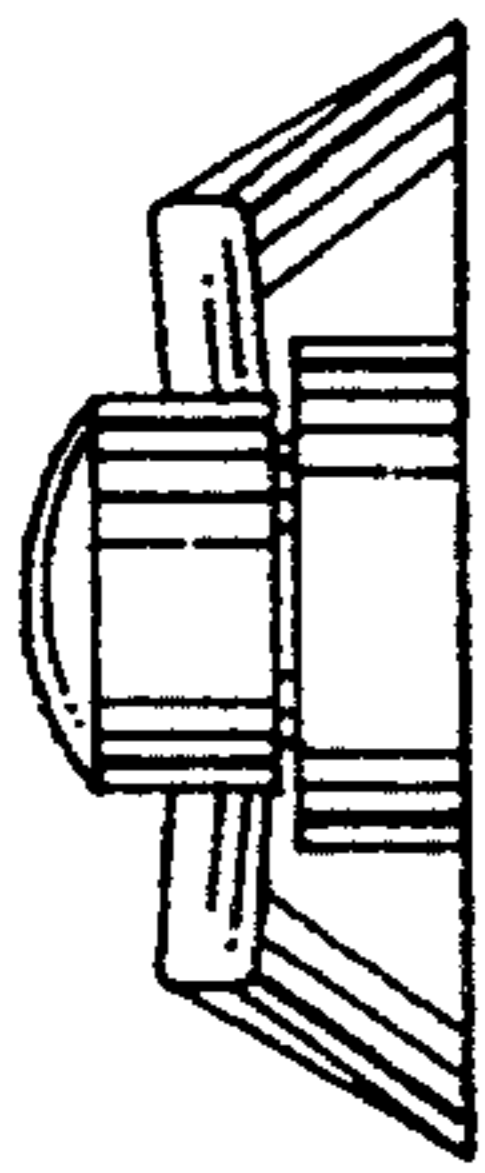


FIG. 2

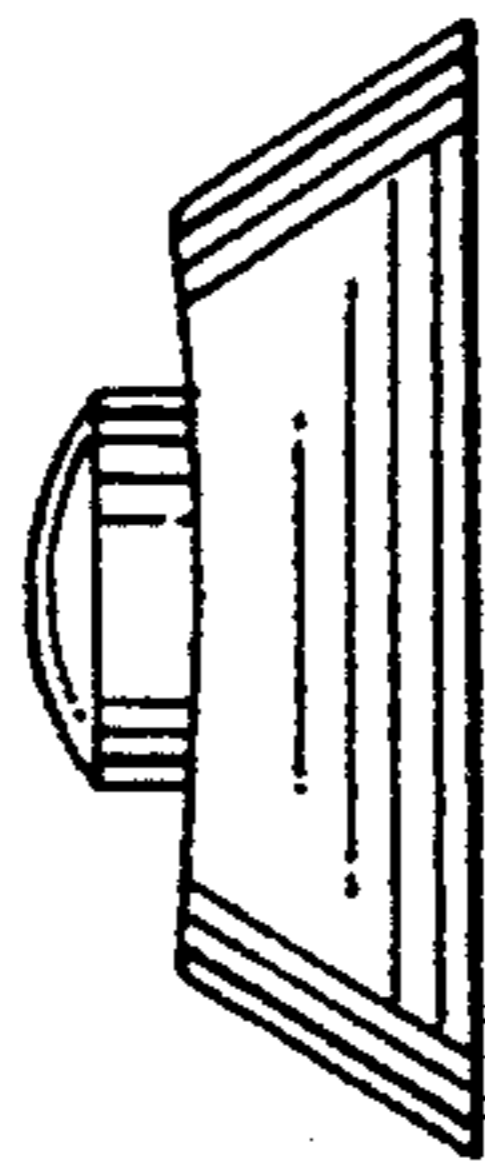


FIG. 3



FIG. 4

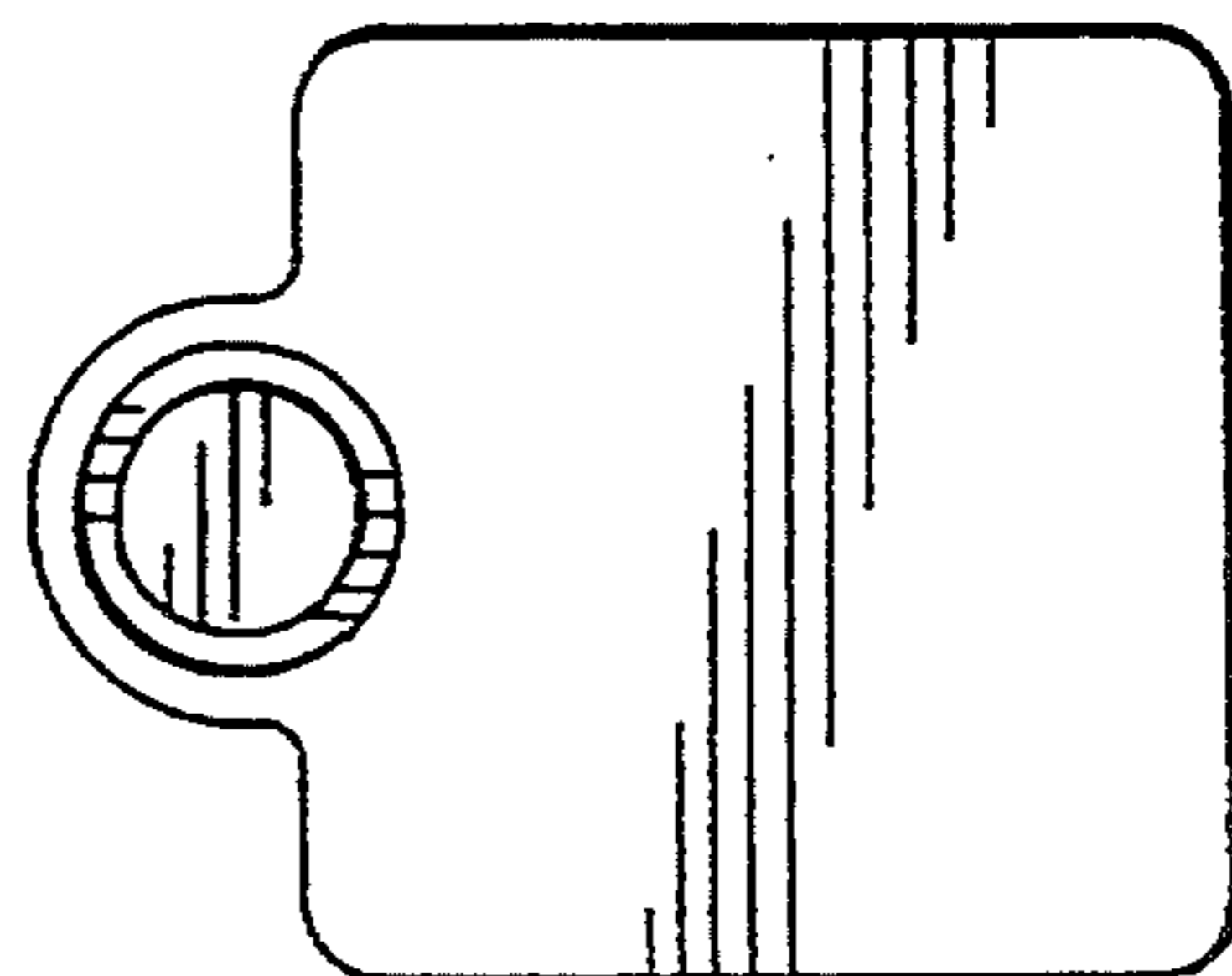


FIG. 5

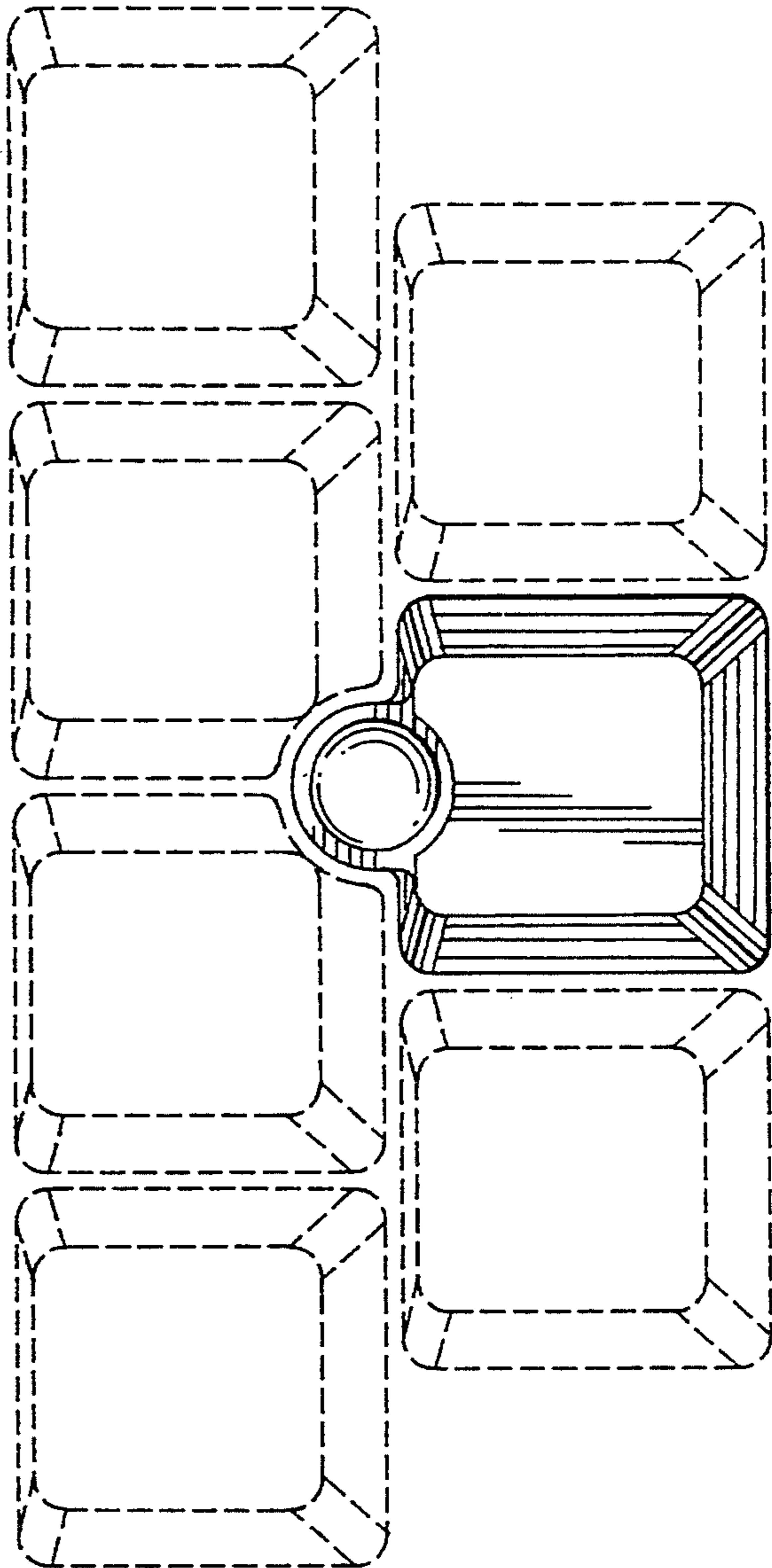


FIG. 6