



US00D360411S

United States Patent [19]

[11] Patent Number: **Des. 360,411**

Sharp et al.

[45] Date of Patent: **** Jul. 18, 1995**

[54] **FRONT BEZEL FOR RACK MOUNTED DISK STORAGE SUBSYSTEM OF A DATA PROCESSING SYSTEM**

[75] Inventors: **Michael H. Sharp**, Johnstone, Scotland; **Karen M. MacMurtrie**; **Pedro M. Alfonso**, both of Austin, Tex.

[73] Assignee: **International Business Machines Corporation**, Armonk, N.Y.

[**] Term: **14 Years**

[21] Appl. No.: **13,060**

[22] Filed: **Sep. 17, 1993**

[30] **Foreign Application Priority Data**

Mar. 20, 1993 [GB]	United Kingdom	2029918
[52] U.S. Cl.		D14/115
[58] Field of Search		D14/100, 102, 107-109, D14/115, 258; D13/162, 184, 199; 312/223.2; 358/249, 254; 361/600, 622, 724-728

[56] **References Cited**

U.S. PATENT DOCUMENTS

D. 308,671	6/1990	Aderman et al.	D14/109 X
D. 333,134	2/1993	Aderman	D14/115
D. 334,176	3/1993	Steinbugler	D14/100
D. 349,494	8/1994	Aderman et al.	D14/115

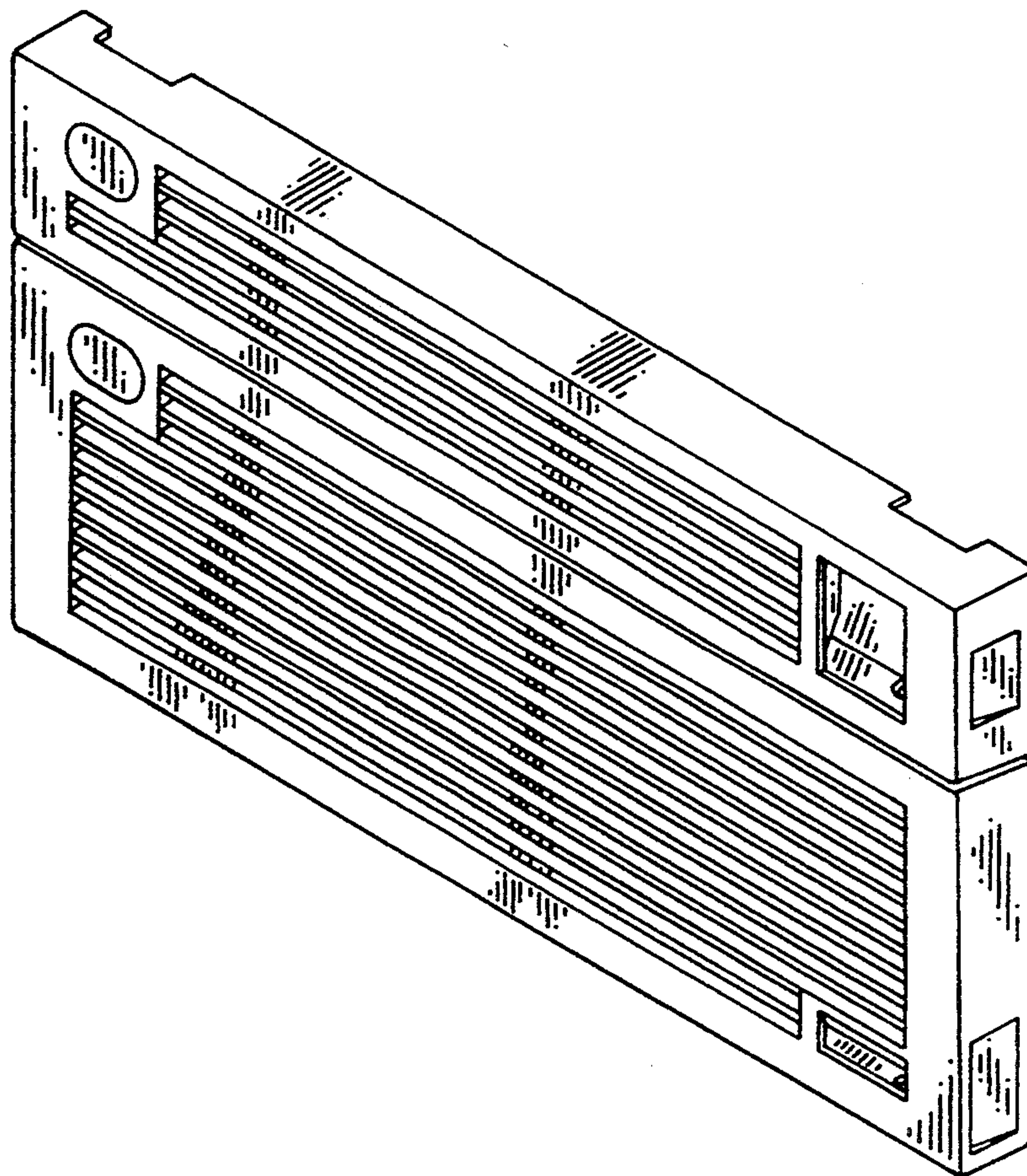
Primary Examiner—Freda S. Nunn
Attorney, Agent, or Firm—Roy W. Truelson

[57] **CLAIM**

The ornamental design for a front bezel for a rack mounted disk storage subsystem of a data processing system, as shown and described.

DESCRIPTION

FIG. 1 is a top, front, right side isometric view of a front bezel for a rack mounted disk storage subsystem of a data processing system showing our new design; FIG. 2 is a front elevational view thereof on an enlarged scale; FIG. 3 is a right side elevational view thereof; and, FIG. 4 is a top plan view thereof. The left side of the bezel is identical to the right side shown in FIG. 3. The bottom and rear are unornamented.



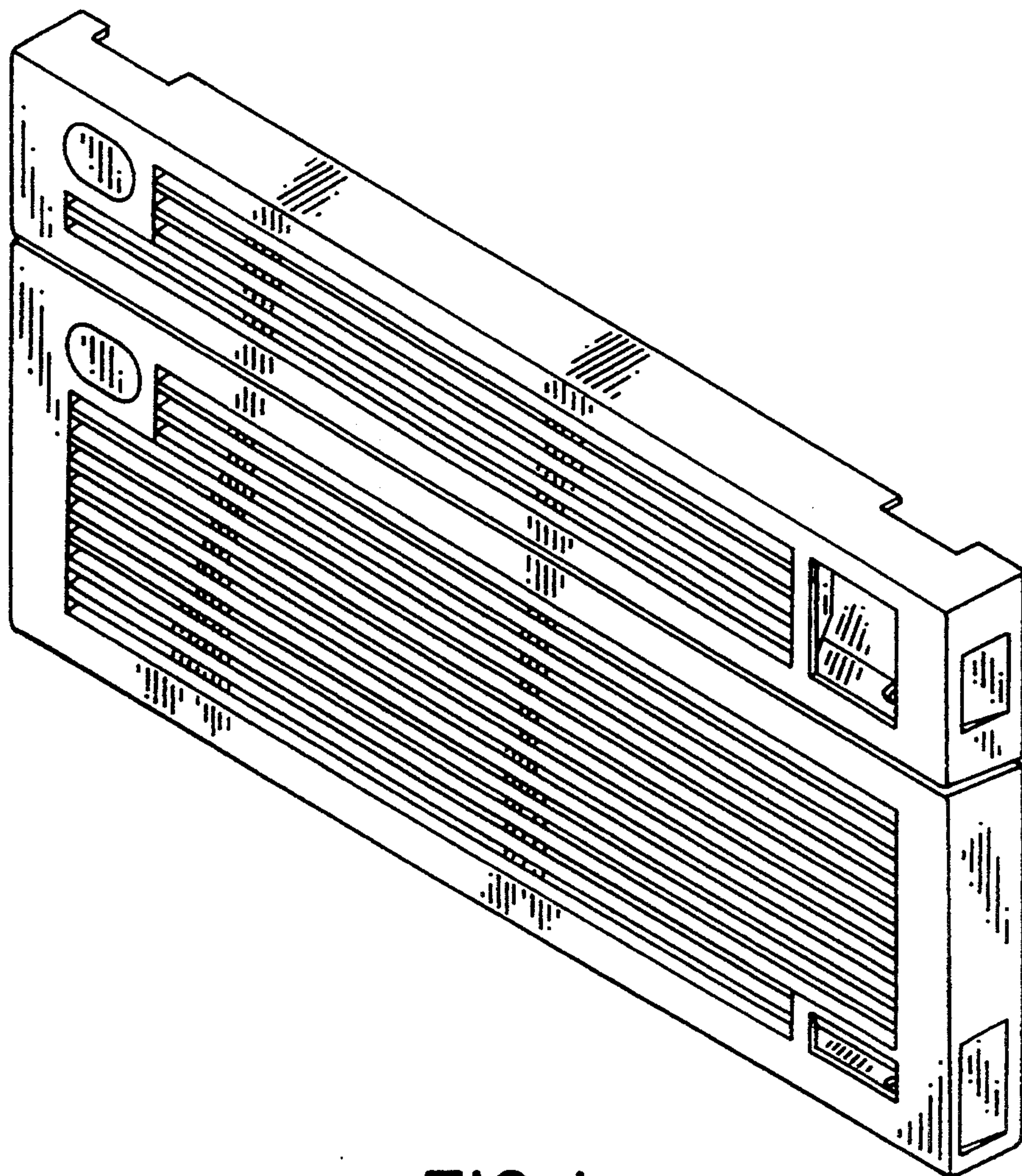


FIG. 1

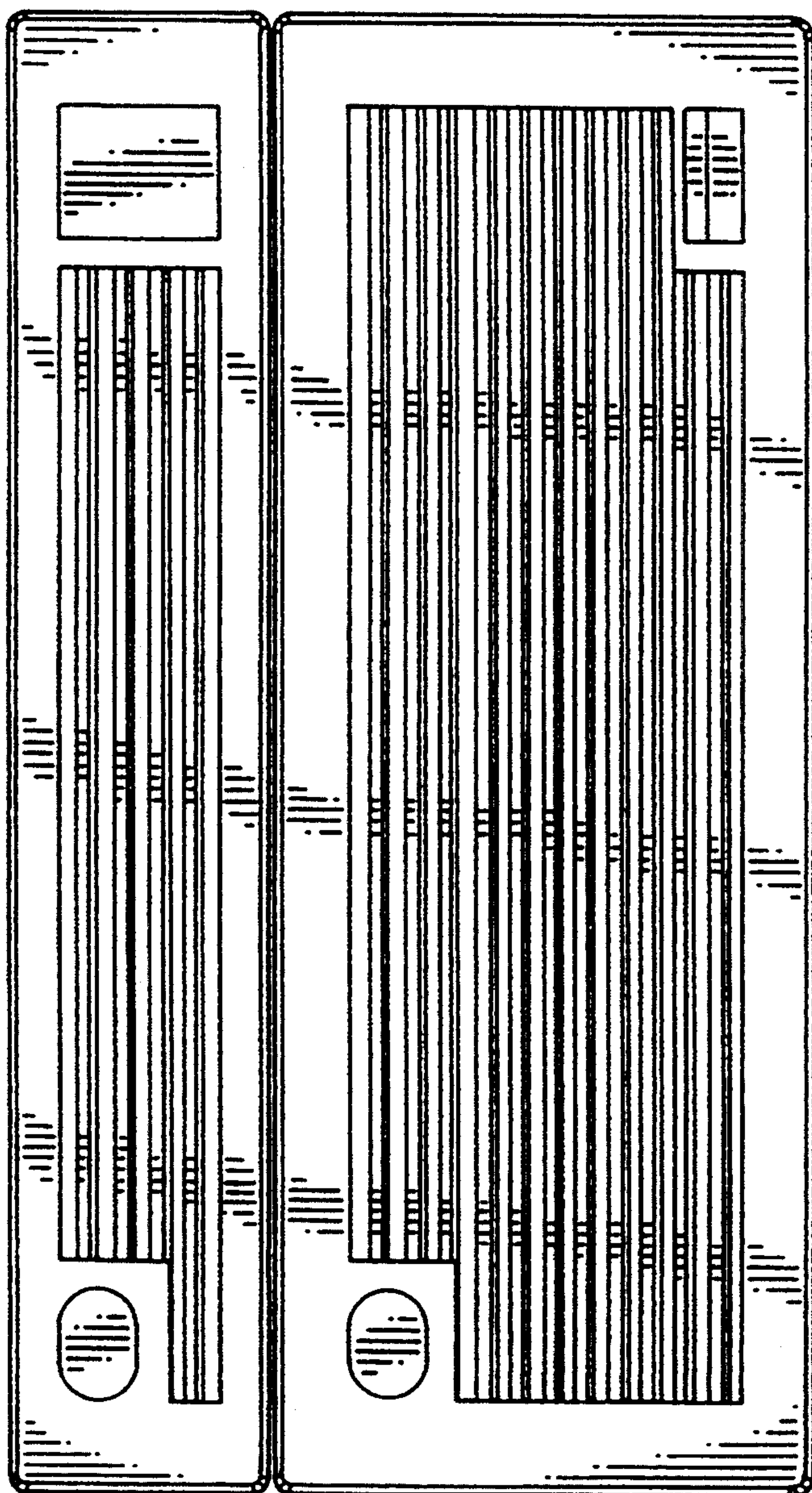


FIG. 2

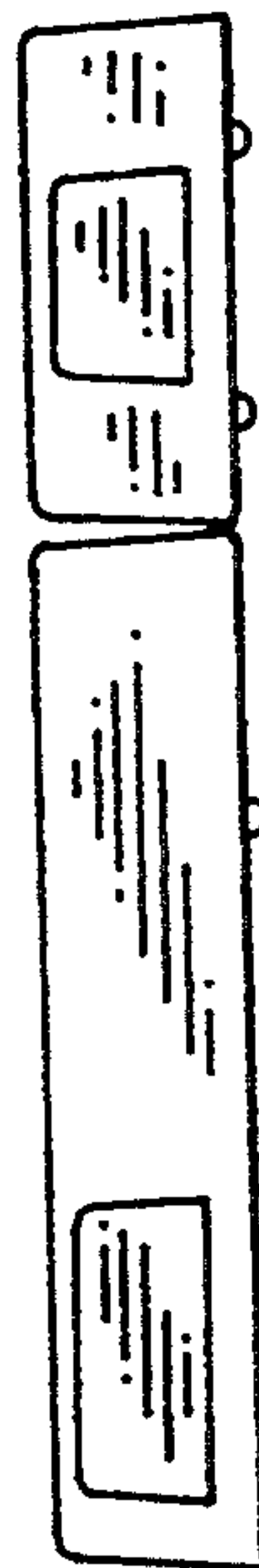


FIG. 3

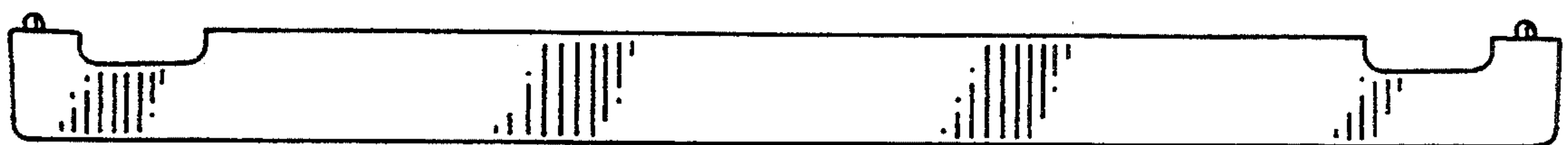


FIG. 4