



US00D360410S

United States Patent [19]

Lee

[11] Patent Number: **Des. 360,410**

[45] Date of Patent: **** Jul. 18, 1995**

[54] **COMPUTER DISPLAY**

[75] Inventor: **Nam-soo Lee, Kyunggi, Rep. of Korea**

[73] Assignee: **Inkel Corporation, Rep. of Korea**

[**] Term: **14 Years**

[21] Appl. No.: **13,960**

[22] Filed: **Oct. 7, 1993**

[30] **Foreign Application Priority Data**

Aug. 20, 1993 [KR] Rep. of Korea 93-16946

[52] U.S. Cl. **D14/113**

[58] Field of Search D14/100, 106, 113, 129, D14/124-127; 248/917-924; 345/104, 133, 156, 168, 87, 173, 901-905; 358/249, 254, 255

[56] **References Cited**

U.S. PATENT DOCUMENTS

D. 314,375 2/1991 Sacherman et al. D14/113

D. 319,820 9/1991 Uchibori et al. D14/113
D. 319,821 9/1991 Kawaguchi D14/113
D. 332,946 2/1993 Kao D14/113

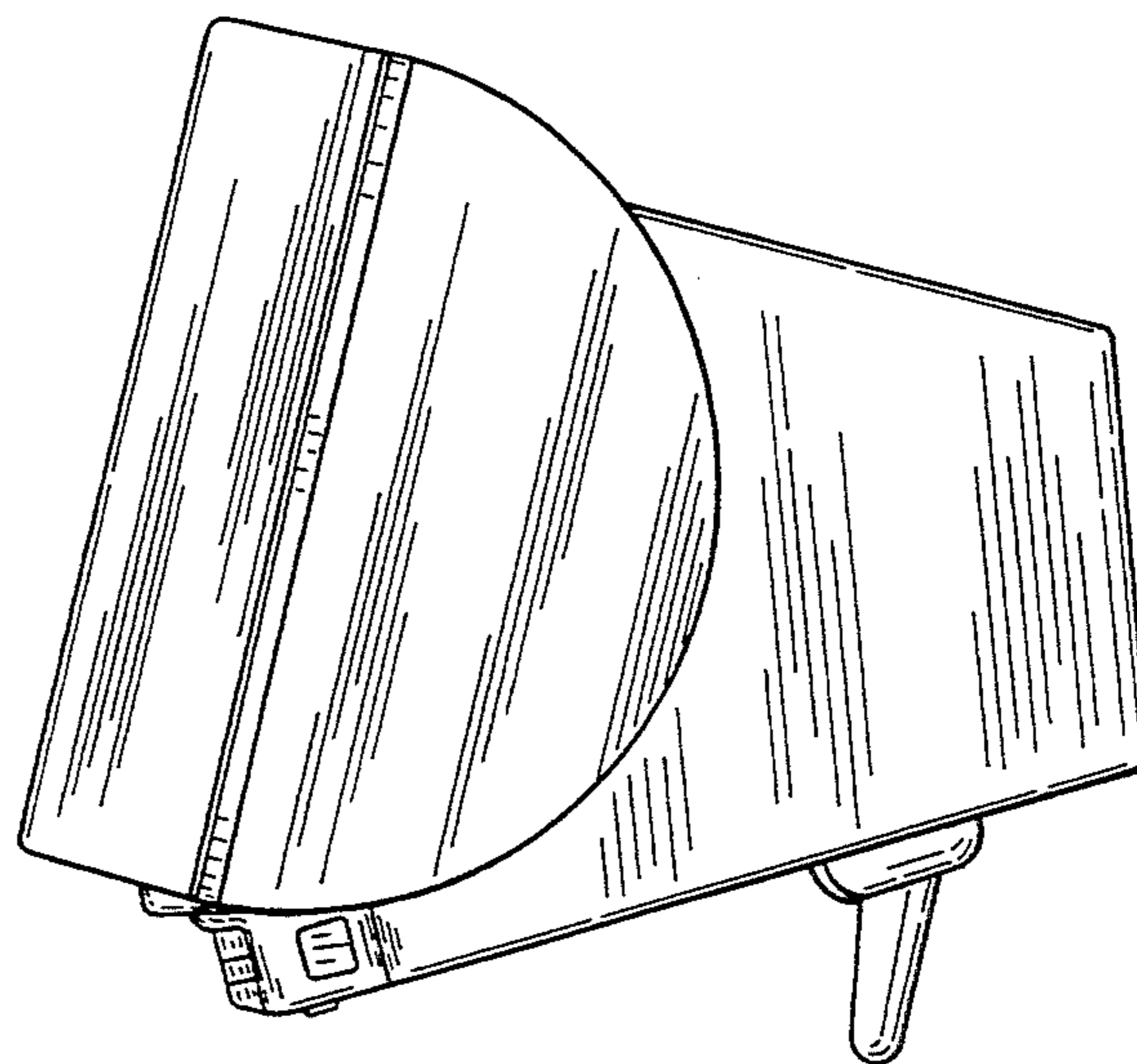
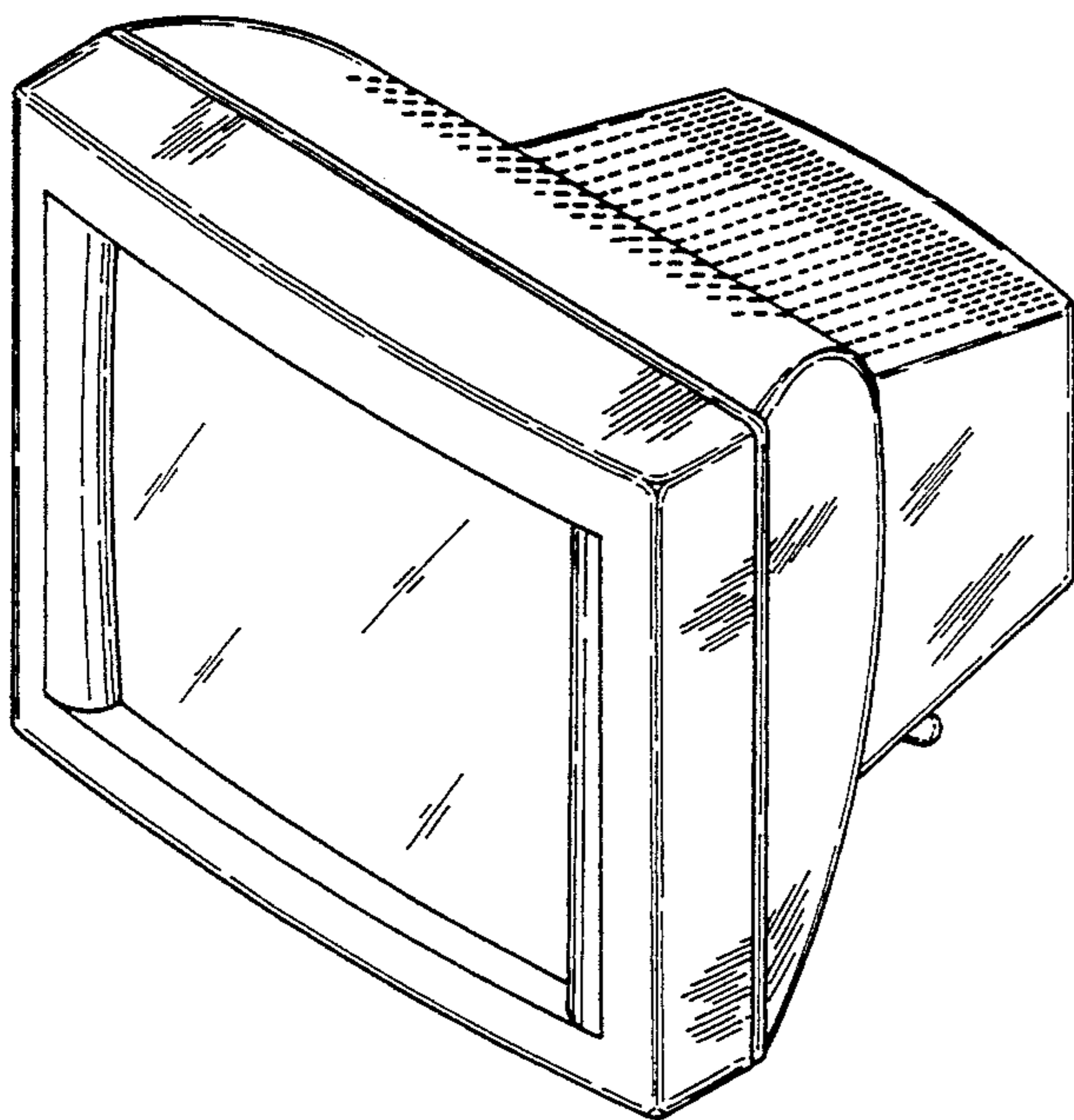
Primary Examiner—Freda S. Nunn
Attorney, Agent, or Firm—D. Peter Hochberg; Mark Kusner; Michael Jaffe

[57] **CLAIM**

The ornamental design for a computer display, as shown and described.

DESCRIPTION

FIG. 1 is a reduced perspective view of the present invention;
FIG. 2 is a top plan view thereof;
FIG. 3 is a bottom plan view thereof;
FIG. 4 is a front view thereof;
FIG. 5 is a rear view thereof;
FIG. 6 is a right-side view thereof, the left-side view is identical in appearance; and,
FIG. 7 is as reduced right-side view thereof showing the display in a tilting position.



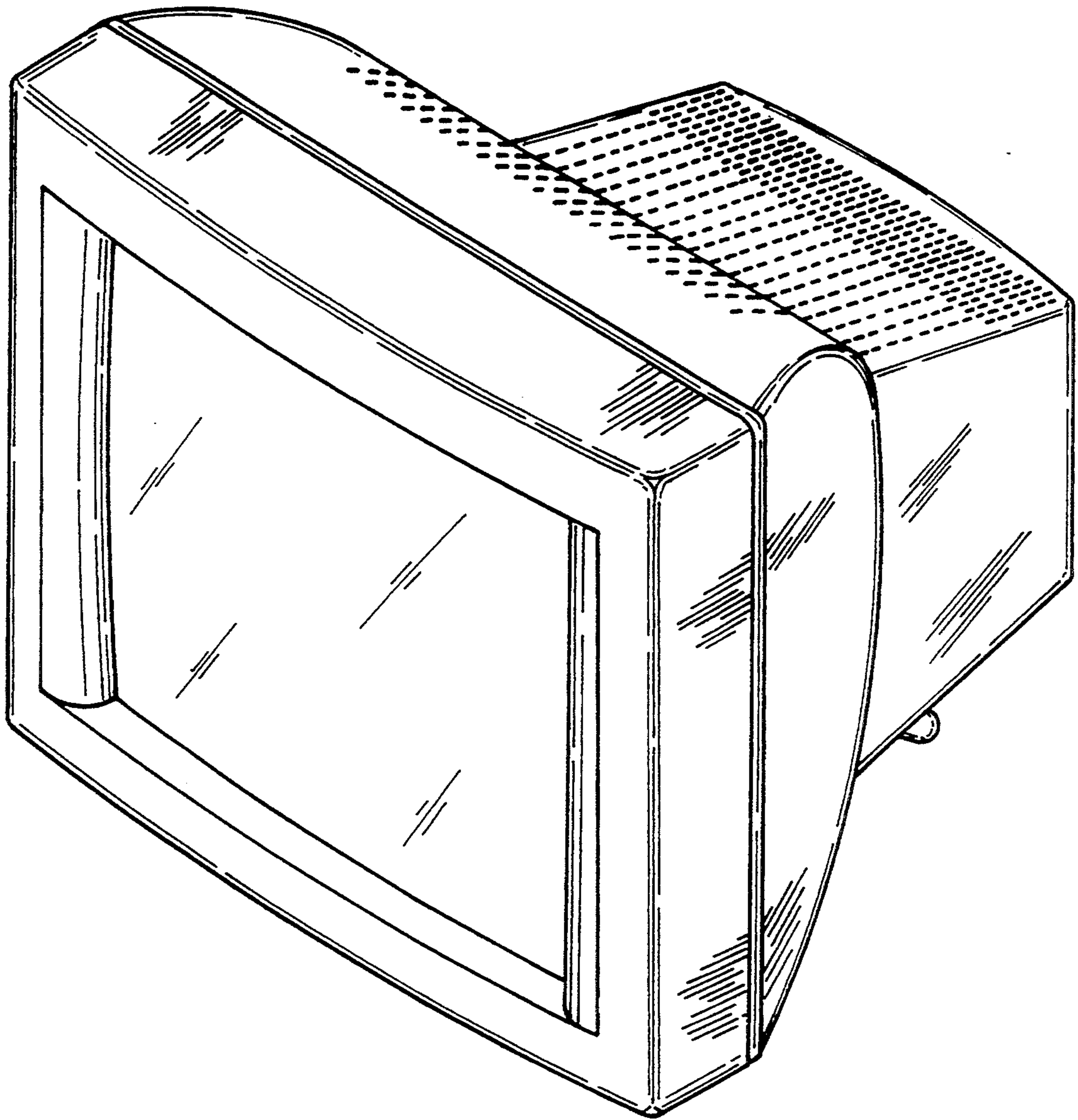


FIG. 1

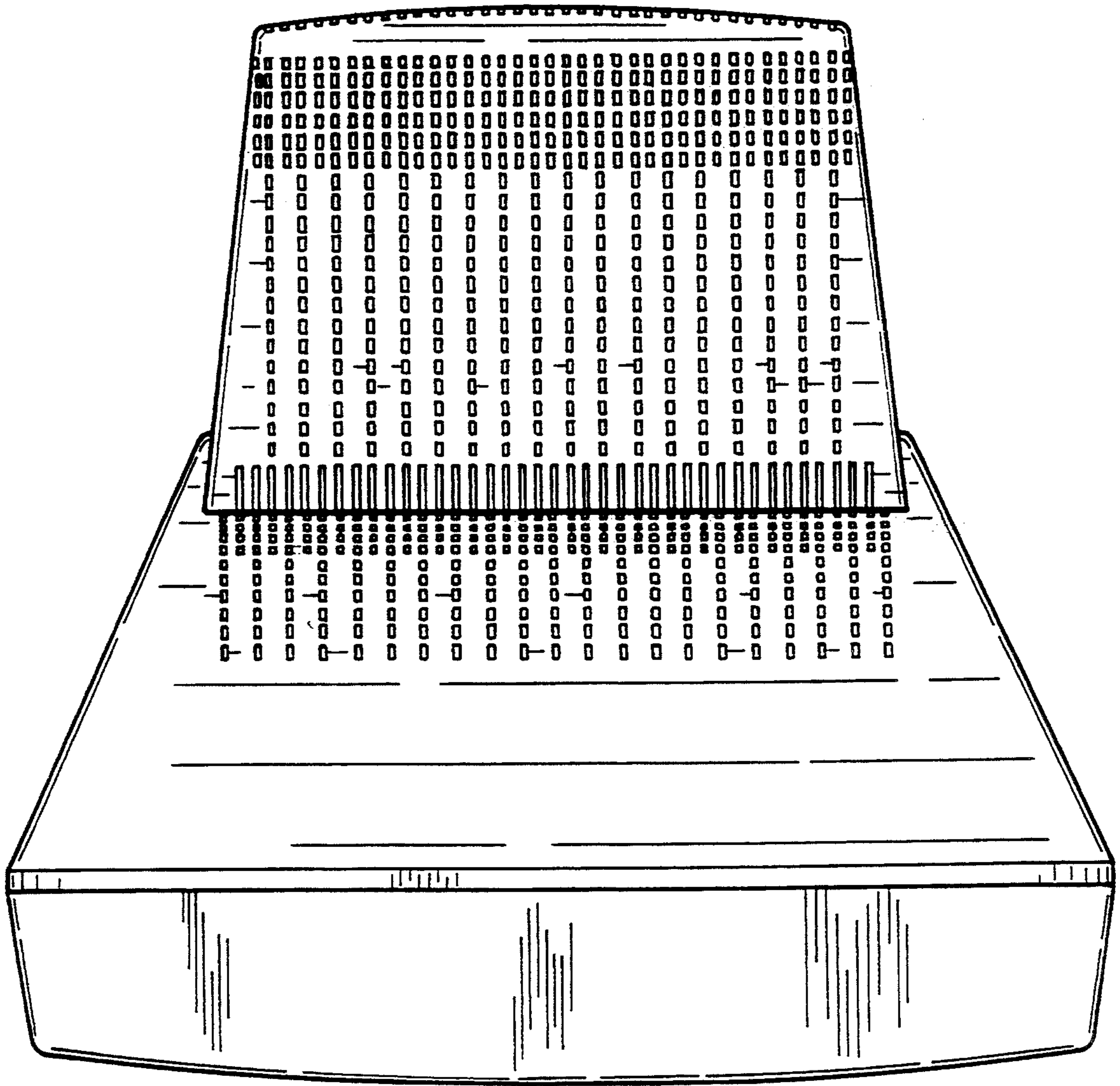


FIG. 2

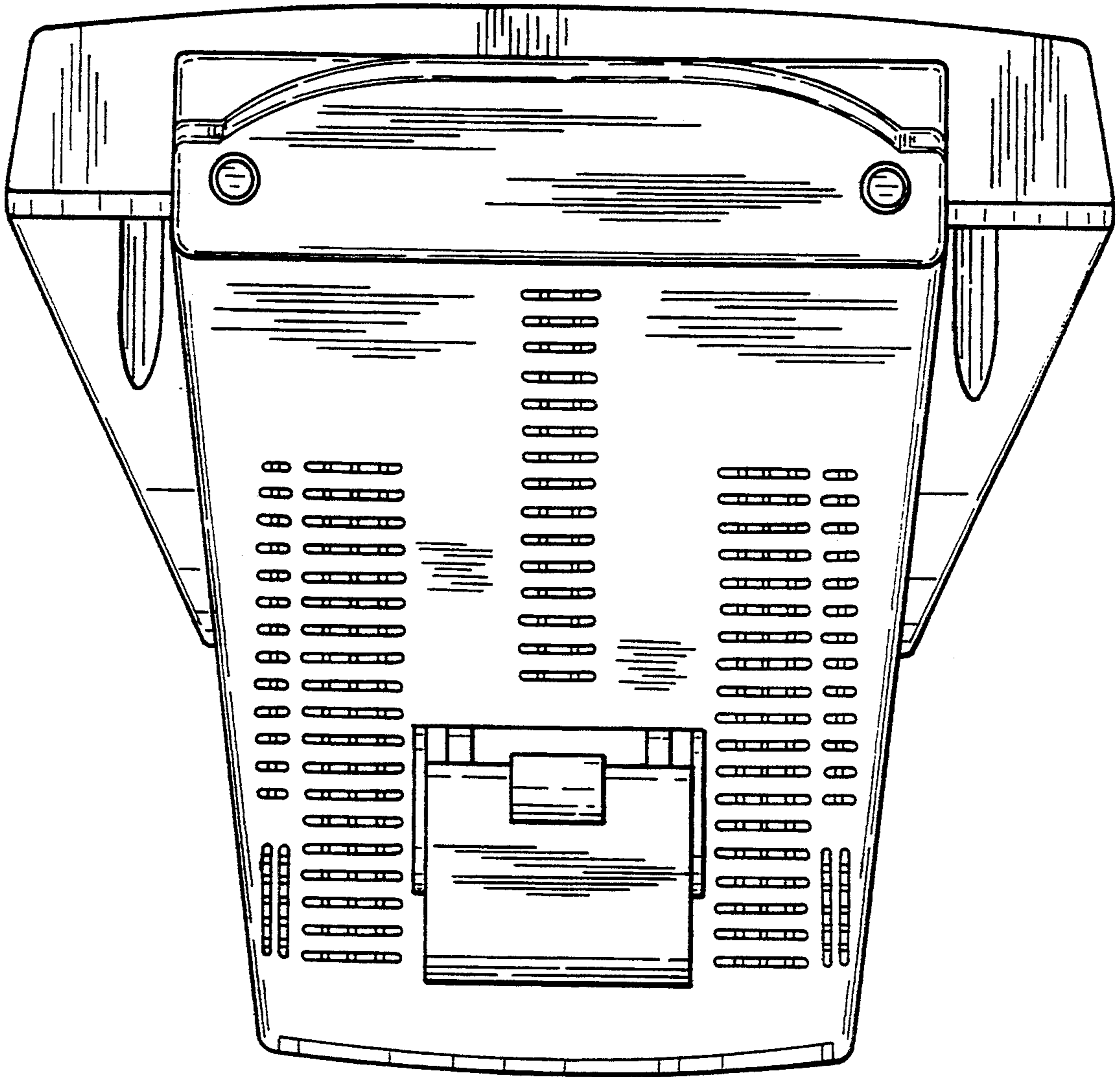


FIG. 3

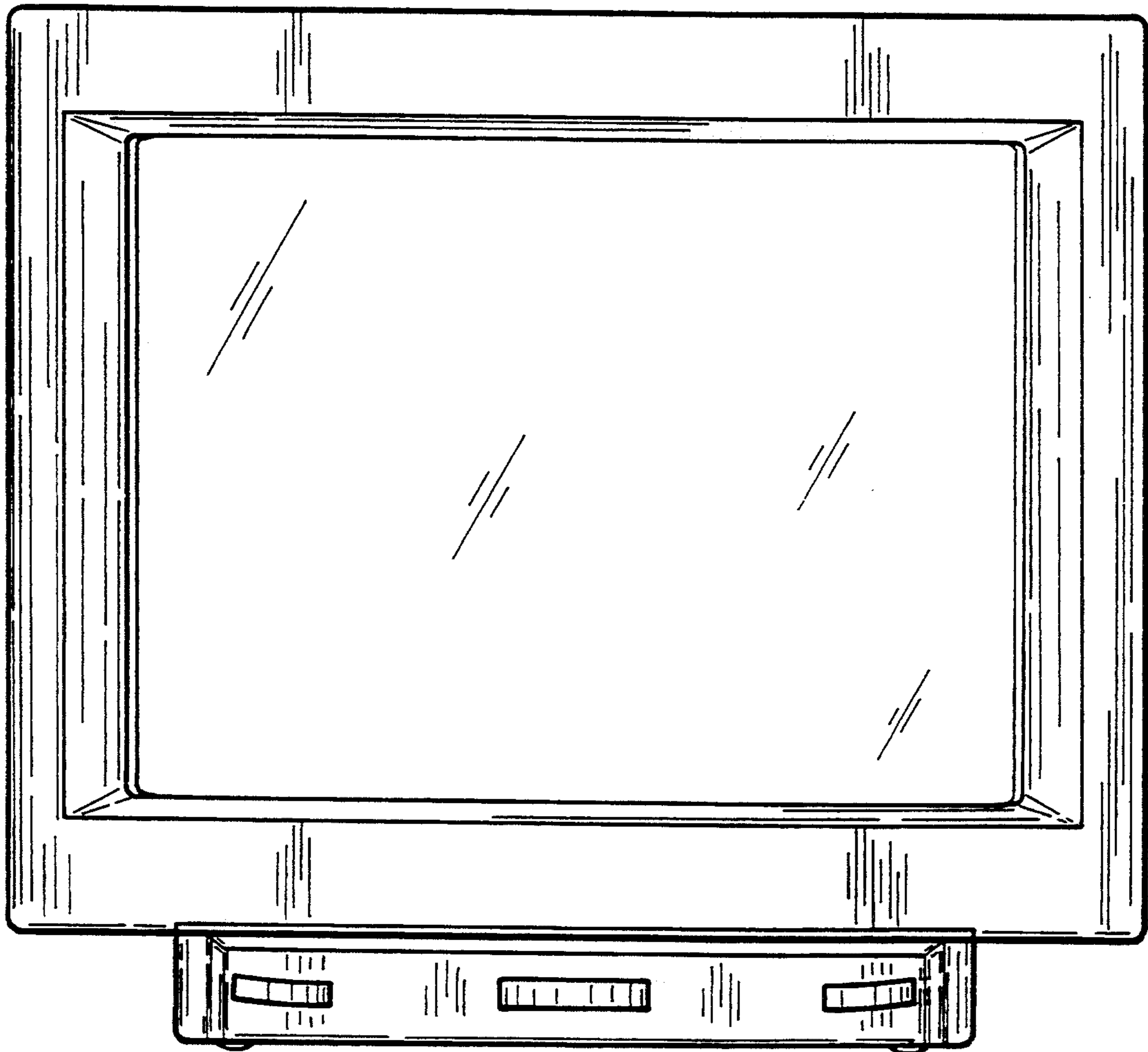


FIG. 4

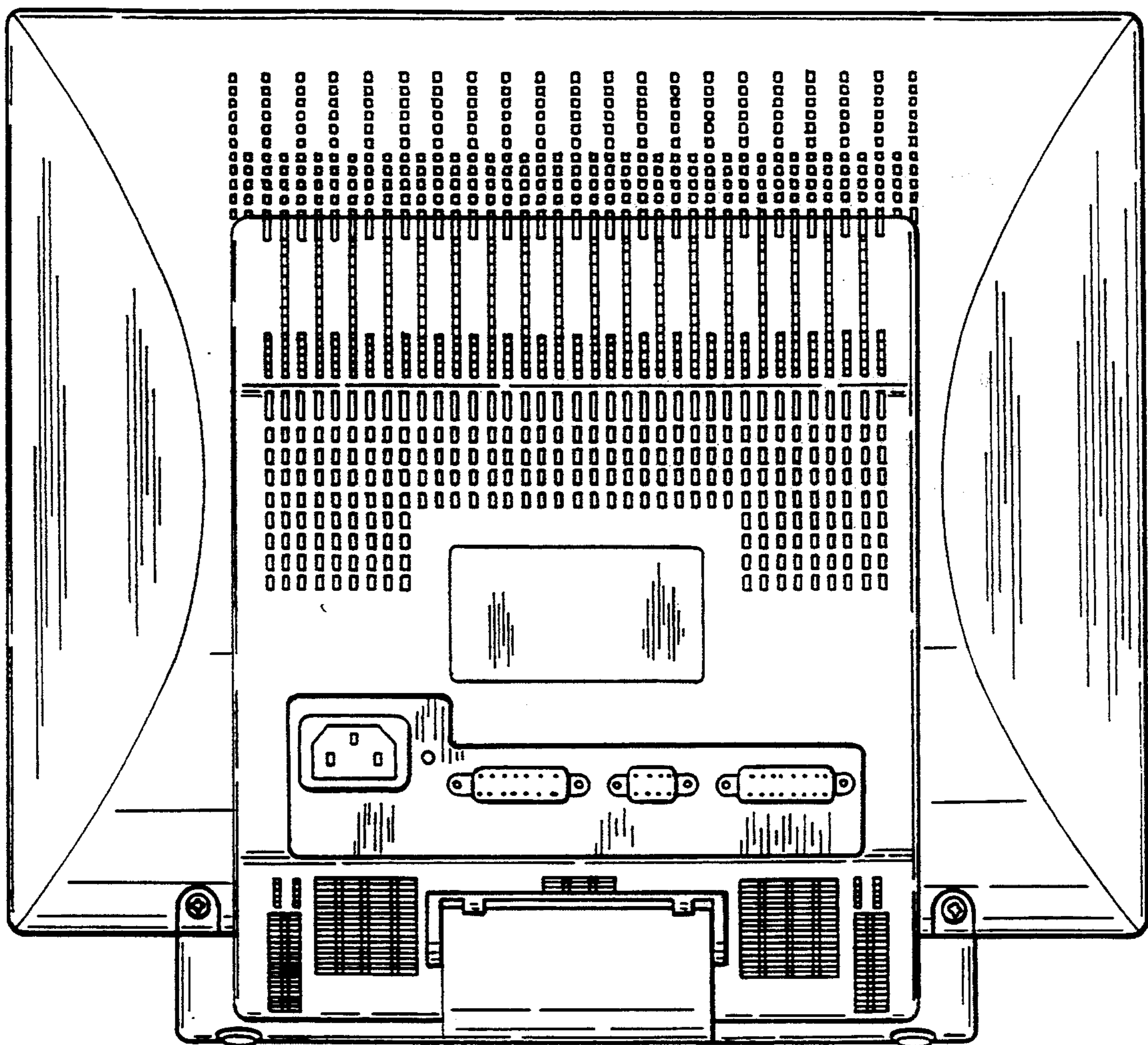


FIG. 5

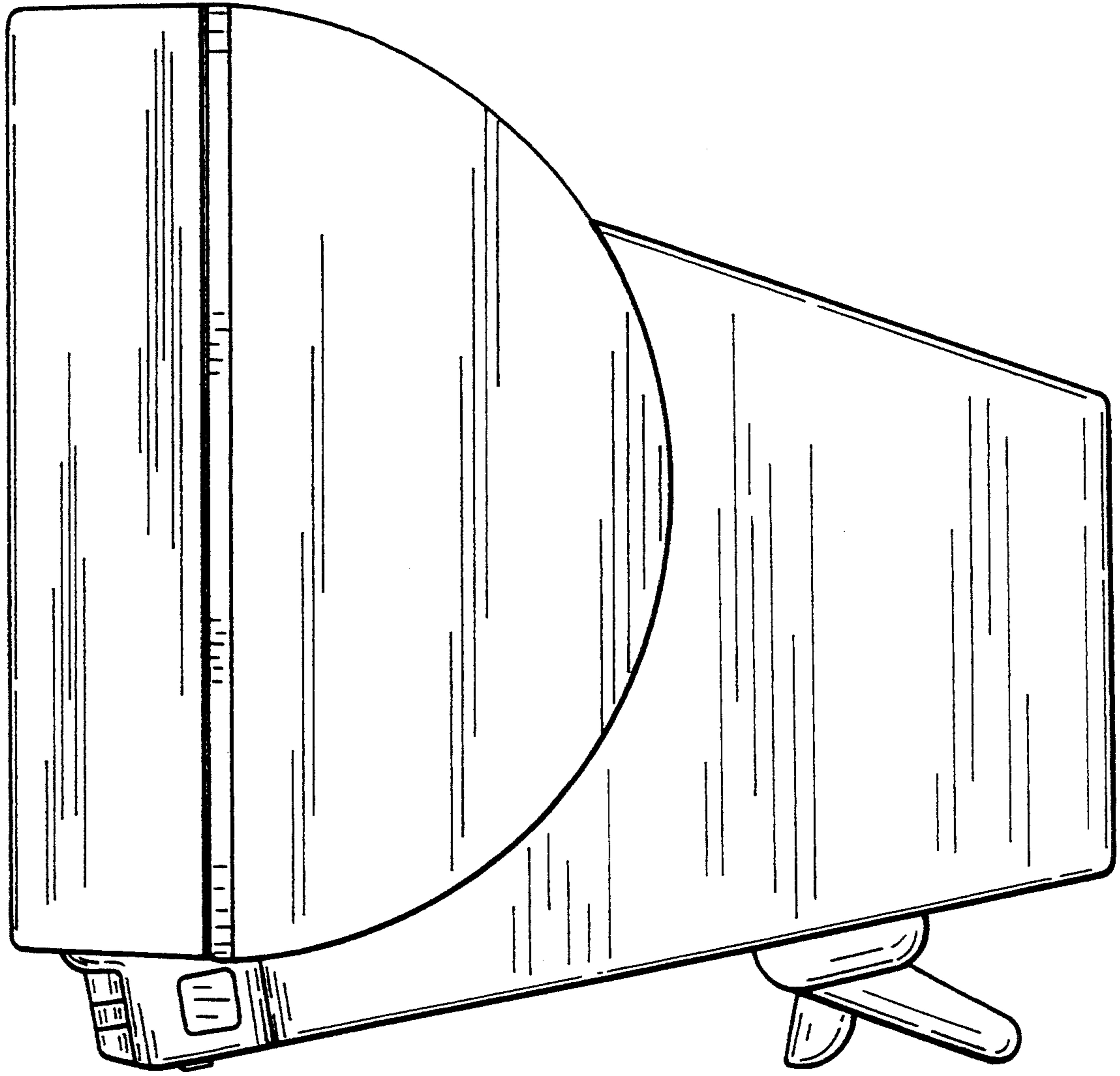


FIG. 6

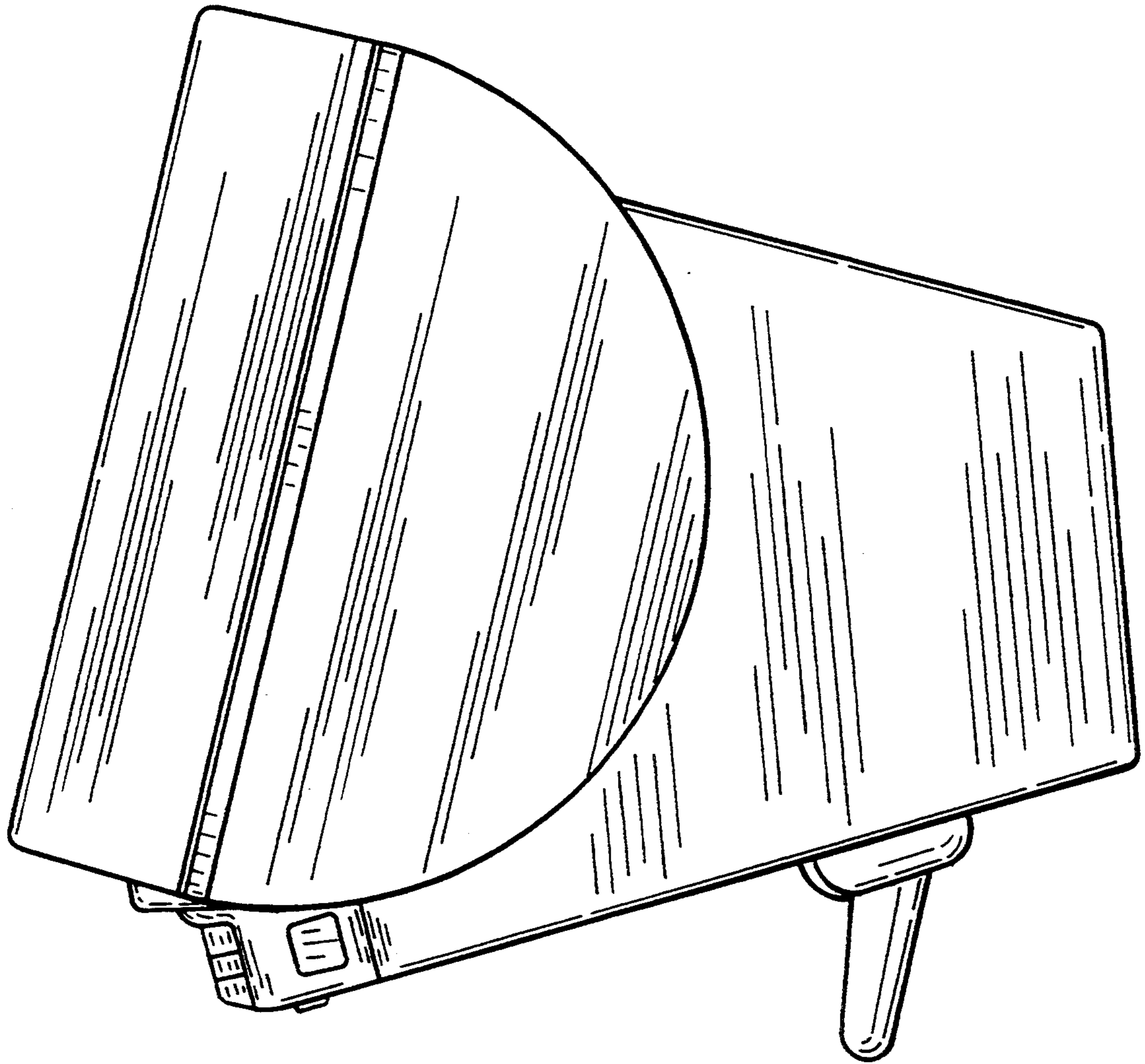


FIG. 7