



US00D360408S

United States Patent [19]

[11] Patent Number: **Des. 360,408**

Dials et al.

[45] Date of Patent: **** Jul. 18, 1995**

[54] **PERSONAL COMPUTER ENCLOSURE**

[56] **References Cited**

[75] Inventors: **Edward N. Dials; Michael J. Harpham**, both of Lexington, Ky.; **Richard F. Sapper**, Milan, Italy

U.S. PATENT DOCUMENTS

D. 294,355 2/1988 Giannotti, Jr. et al. D14/102
D. 310,070 8/1990 Makidera D14/109 X
D. 313,014 12/1990 Kline et al. D14/102
D. 335,655 5/1993 Hill D14/102

[73] Assignee: **International Business Machines Corp.**, Armonk, N.Y.

Primary Examiner—Freda S. Nunn
Attorney, Agent, or Firm—Anthony N. Magistrale

[**] Term: **14 Years**

[57] CLAIM

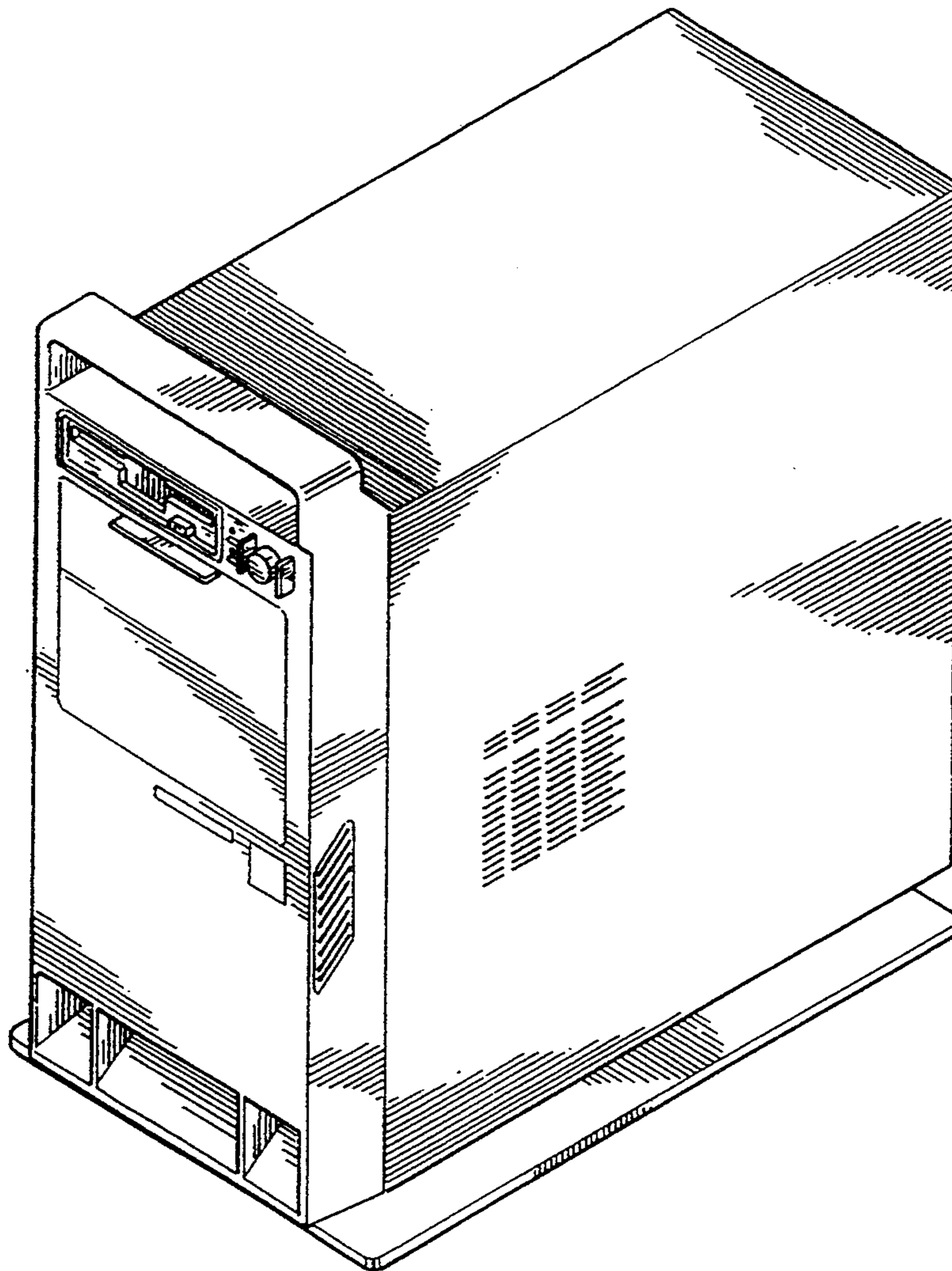
The ornamental design for a personal computer enclosure, as shown.

[21] Appl. No.: **6,060**

DESCRIPTION

[22] Filed: **Mar. 22, 1993**
[52] U.S. Cl. **D14/102; D14/109**
[58] Field of Search **D14/100, 102, 108, 109; D13/162, 184, 199; 312/208.1, 223.2, 223.3, 194; 360/97.01, 94.04, 98.01, 99.01, 99.12; 361/600, 622, 724-728**

FIG. 1 is a right, top, front perspective view of the personal computer enclosure showing our new design; FIG. 2 is a front elevation view thereof; FIG. 3 is a right side elevational view thereof; FIG. 4 is a rear elevation view thereof; FIG. 5 is a left side elevation view thereof; and, FIG. 6 is a top plan view thereof.



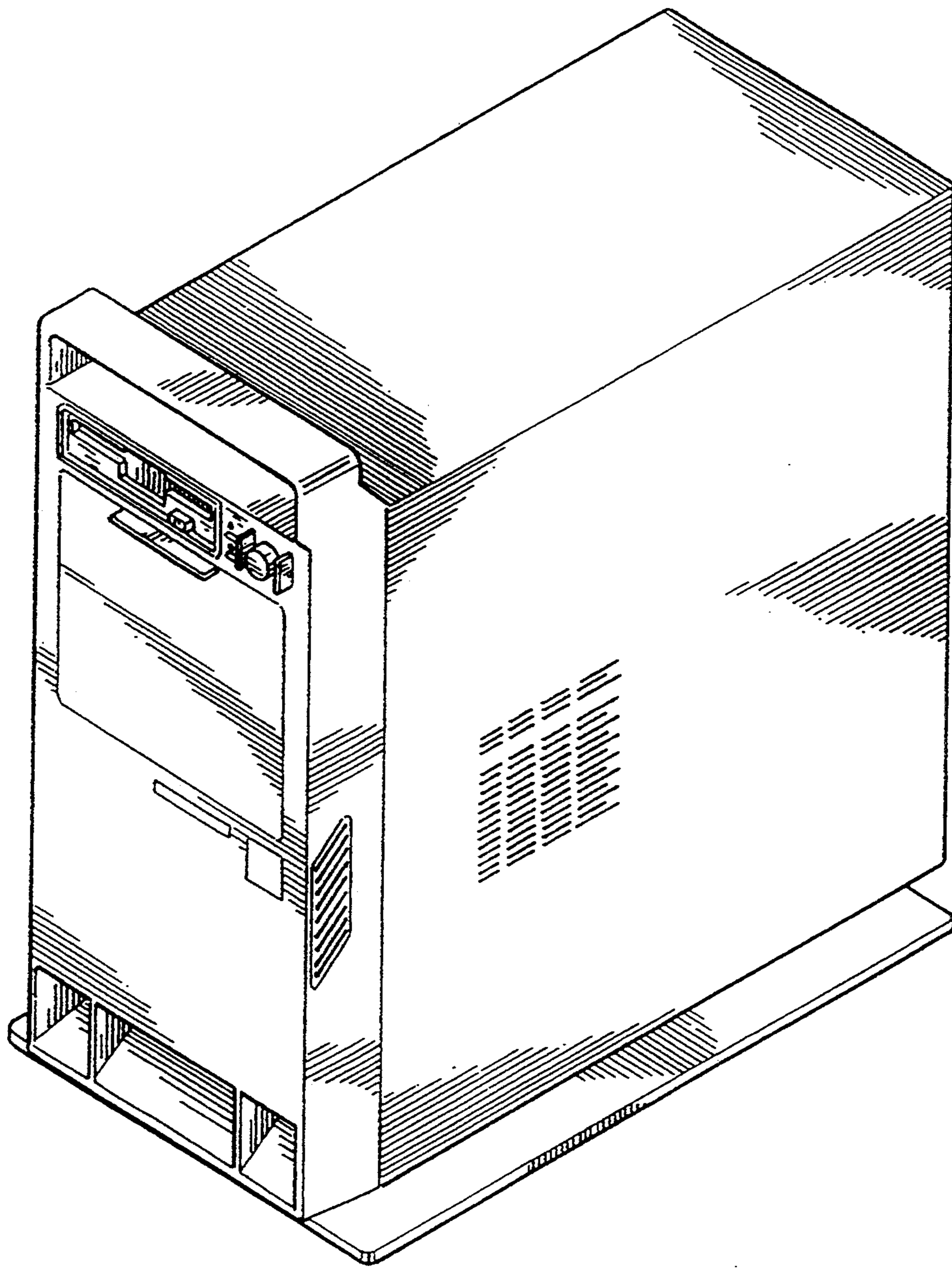


FIG. 1

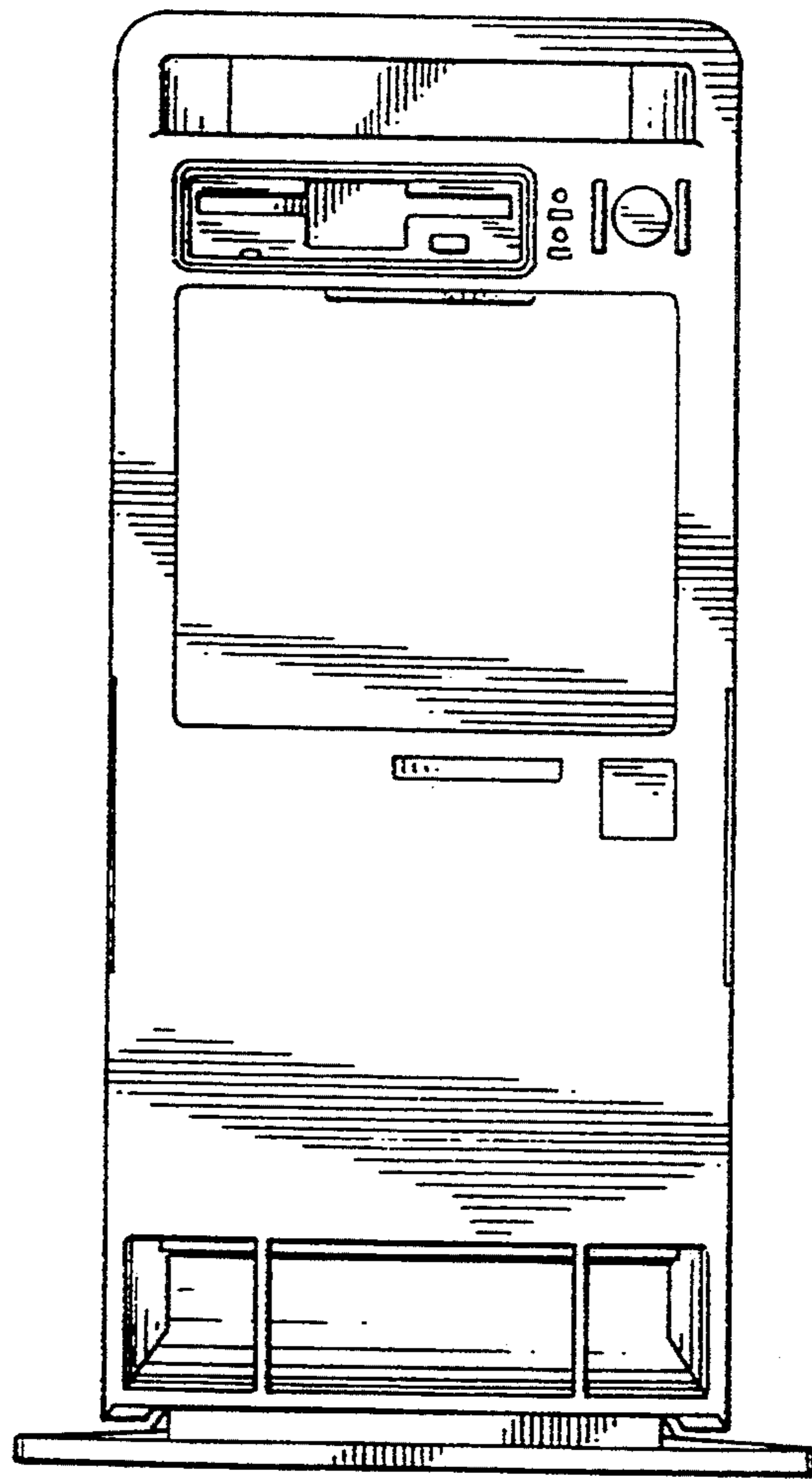


FIG. 2

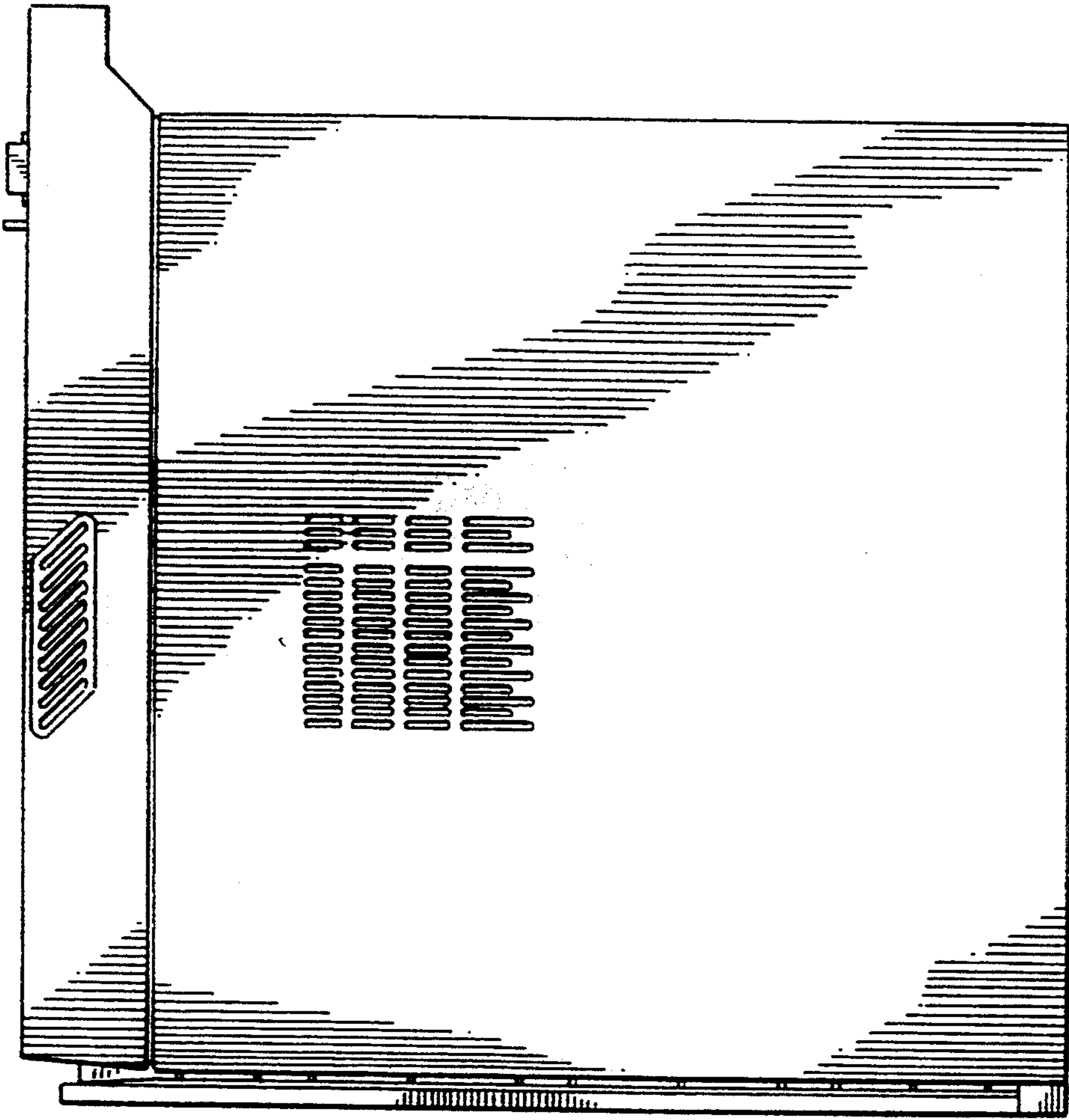


FIG. 3

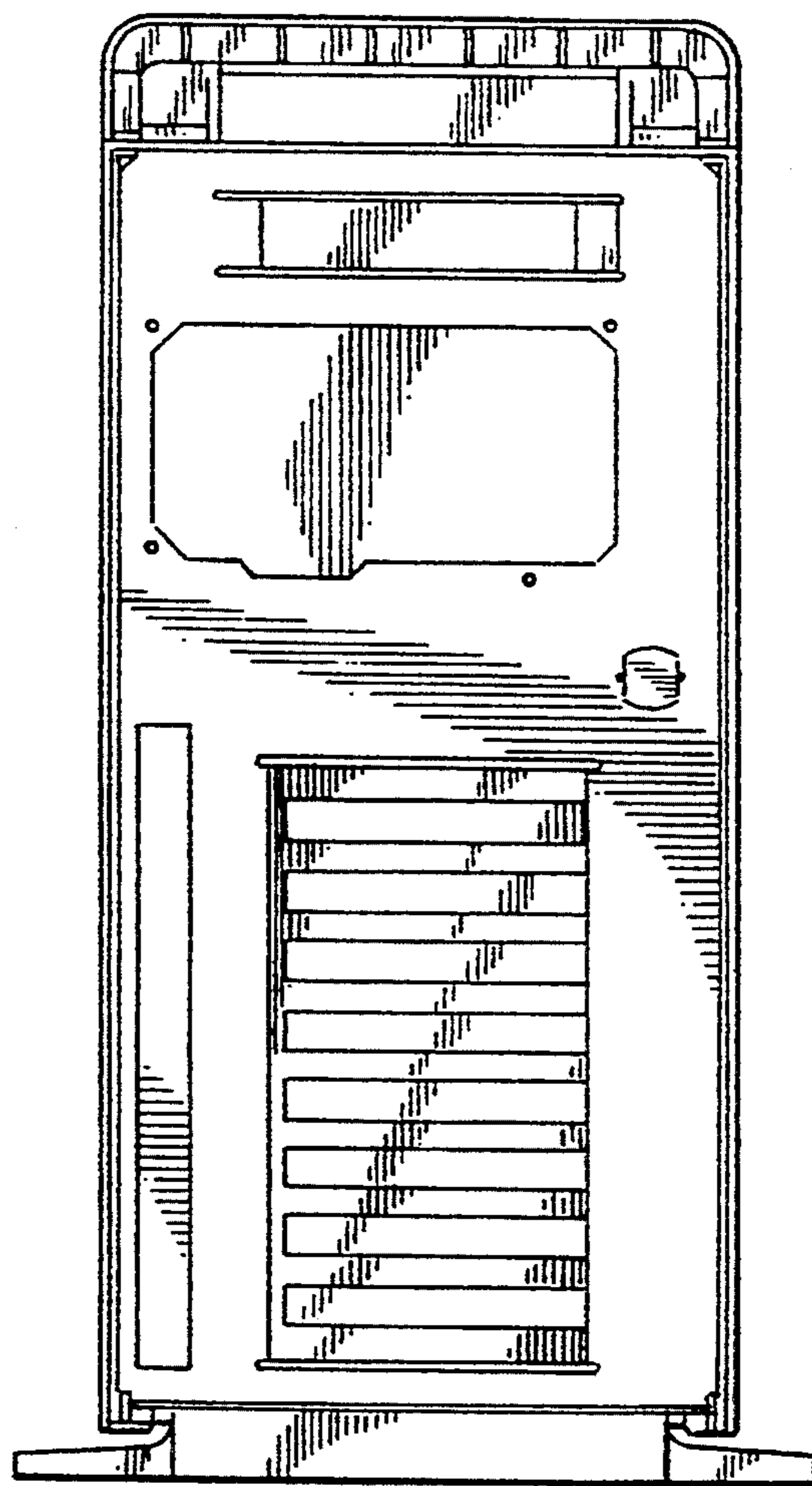


FIG. 4

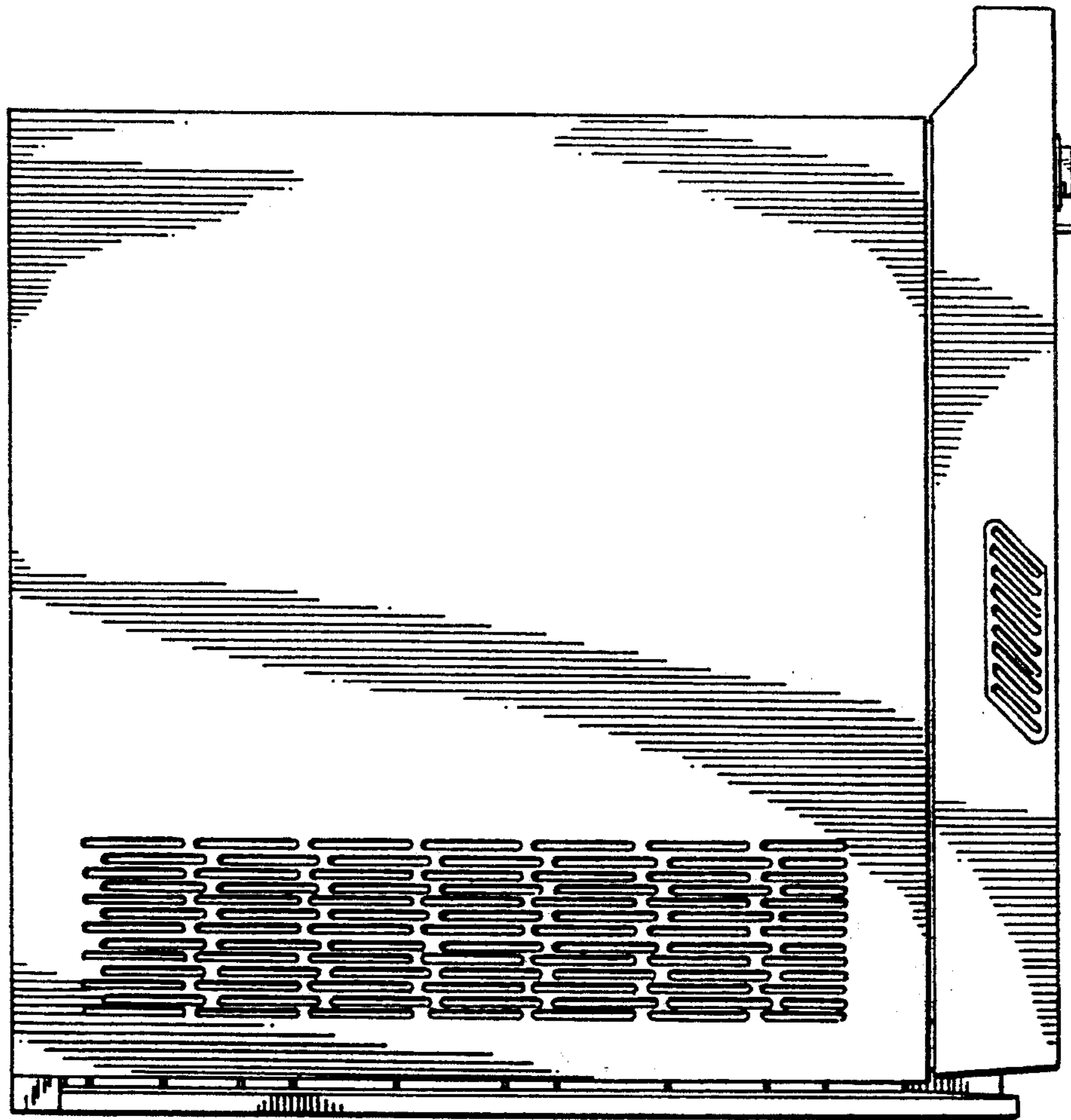


FIG. 5

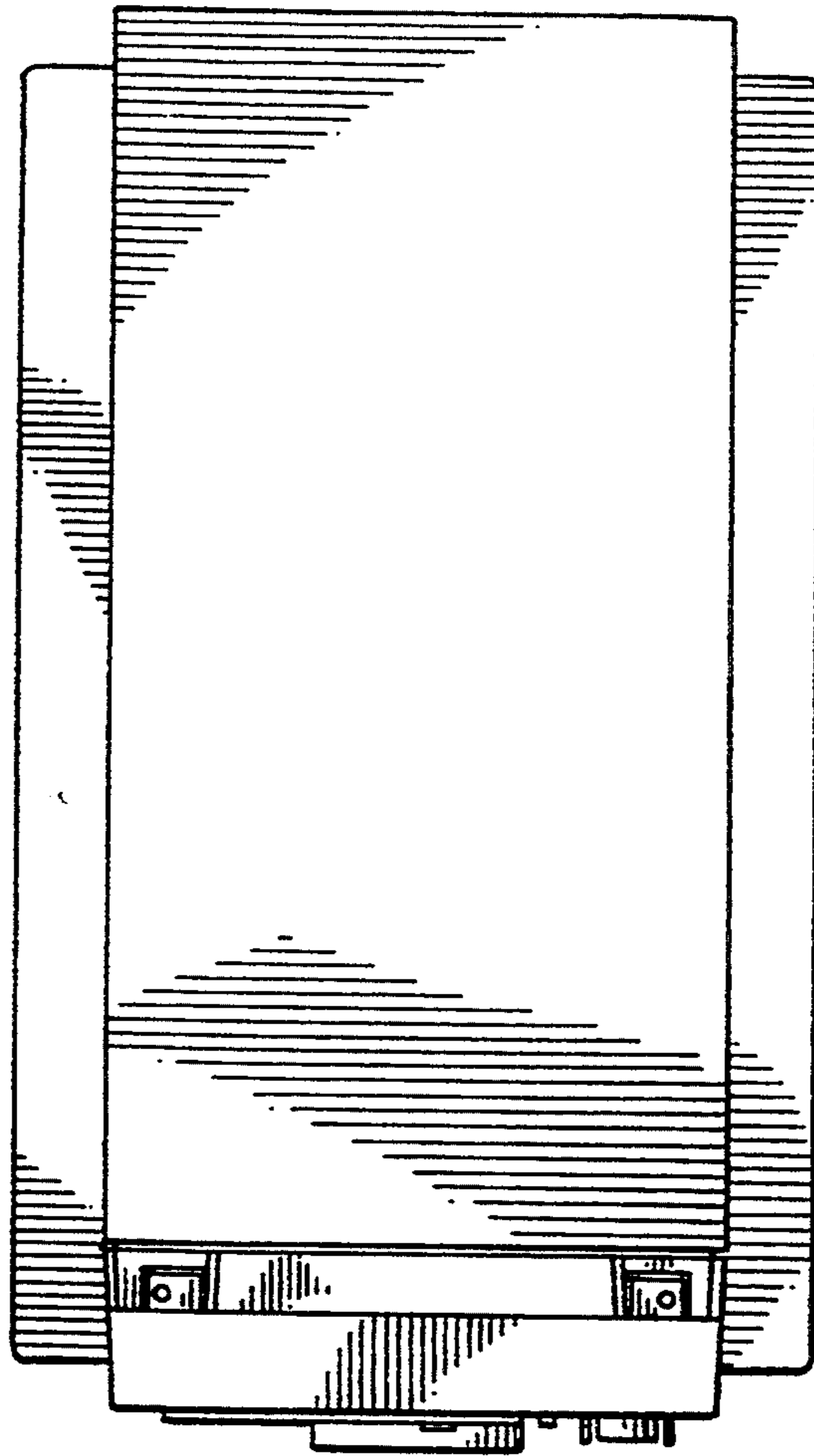


FIG. 6