



US00D360406S

United States Patent [19]

[11] Patent Number: **Des. 360,406**

Hill et al.

[45] Date of Patent: **** Jul. 18, 1995**

[54] **PORTABLE DATA PROCESSING SYSTEM**

[75] Inventors: **David W. Hill; Tim K. Murphy**, both of Rochester, Minn.

[73] Assignee: **International Business Machines Corporation**, Armonk, N.Y.

[**] Term: **14 Years**

[21] Appl. No.: **13,128**

[22] Filed: **Sep. 20, 1993**

[52] U.S. Cl. **D14/100**

[58] Field of Search D14/100, 102, 107-109; D13/162, 184, 199; 312/194, 208.1, 223.2, 223.3; 360/97.01, 97.04, 98.01, 99.01, 99.12; 361/600, 622, 724-728

[56] **References Cited**

U.S. PATENT DOCUMENTS

D. 305,753 1/1990 Hoshino D14/102

D. 312,624 12/1990 Tedham D14/102 X
D. 342,237 12/1993 Sharp D14/100
D. 349,488 8/1994 Aderman et al. D14/109

Primary Examiner—Freda S. Nunn
Attorney, Agent, or Firm—Roy W. Truelson

[57] **CLAIM**

The ornamental design for a portable data processing system, as shown and described.

DESCRIPTION

FIG. 1 is a reduced top front left side isometric view of a portable data processing system showing our new design;

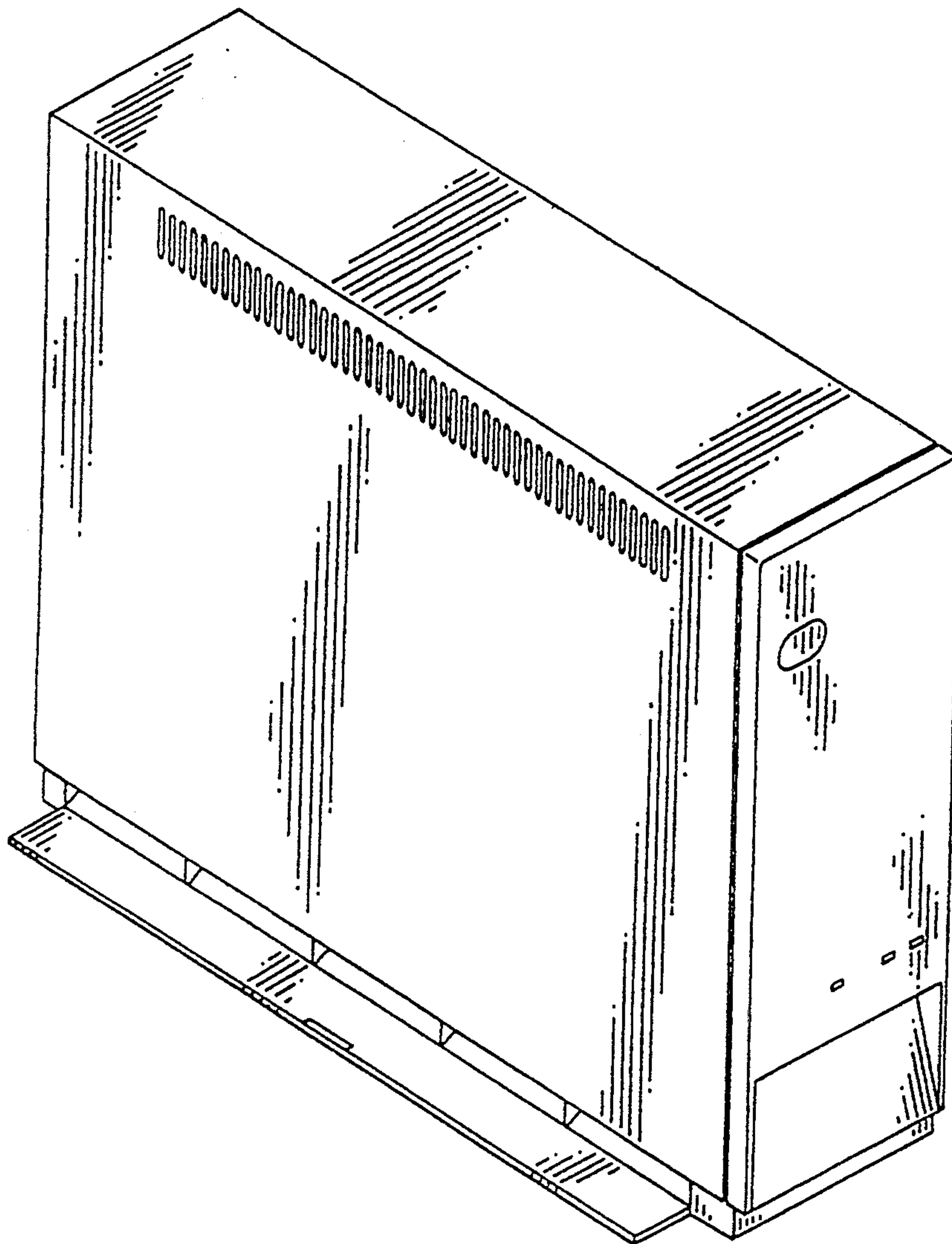
FIG. 2 is a front elevational view thereof;

FIG. 3 is a top plan view thereof;

FIG. 4 is a right side elevational view thereof, the left side being identical;

FIG. 5 is a rear elevational view thereof; and,

FIG. 6 is a bottom plan view thereof.



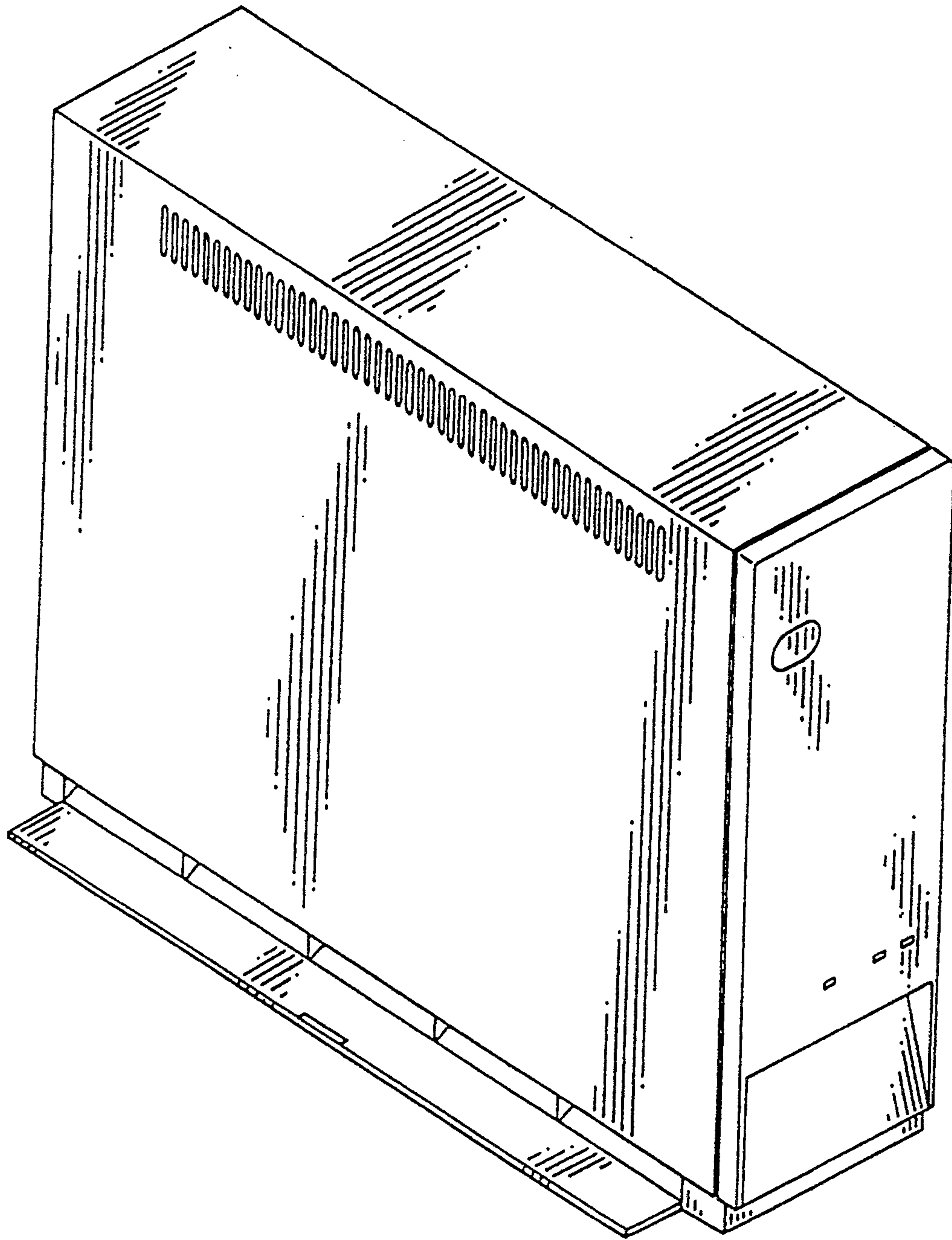


FIG. 1

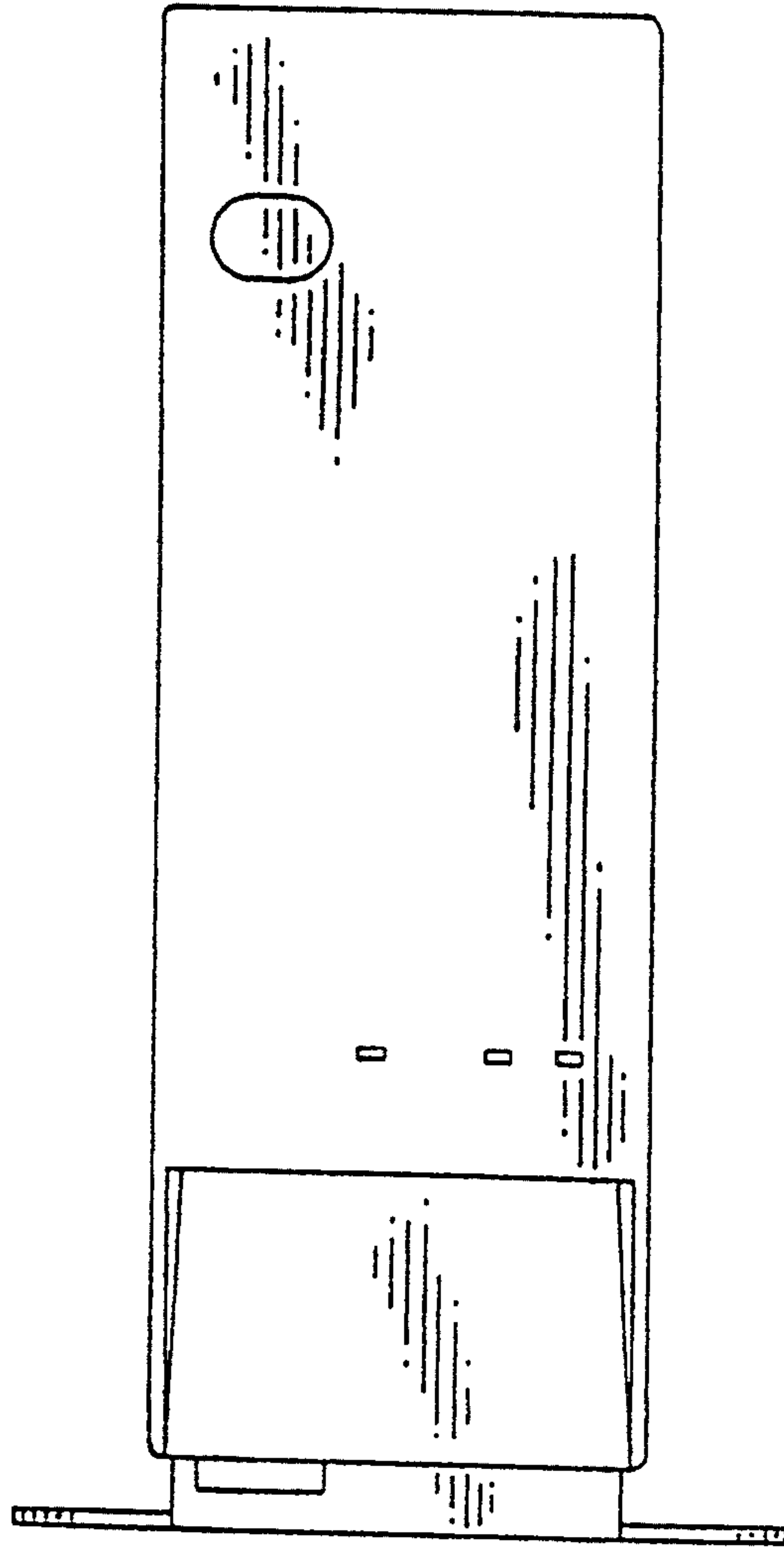


FIG. 2

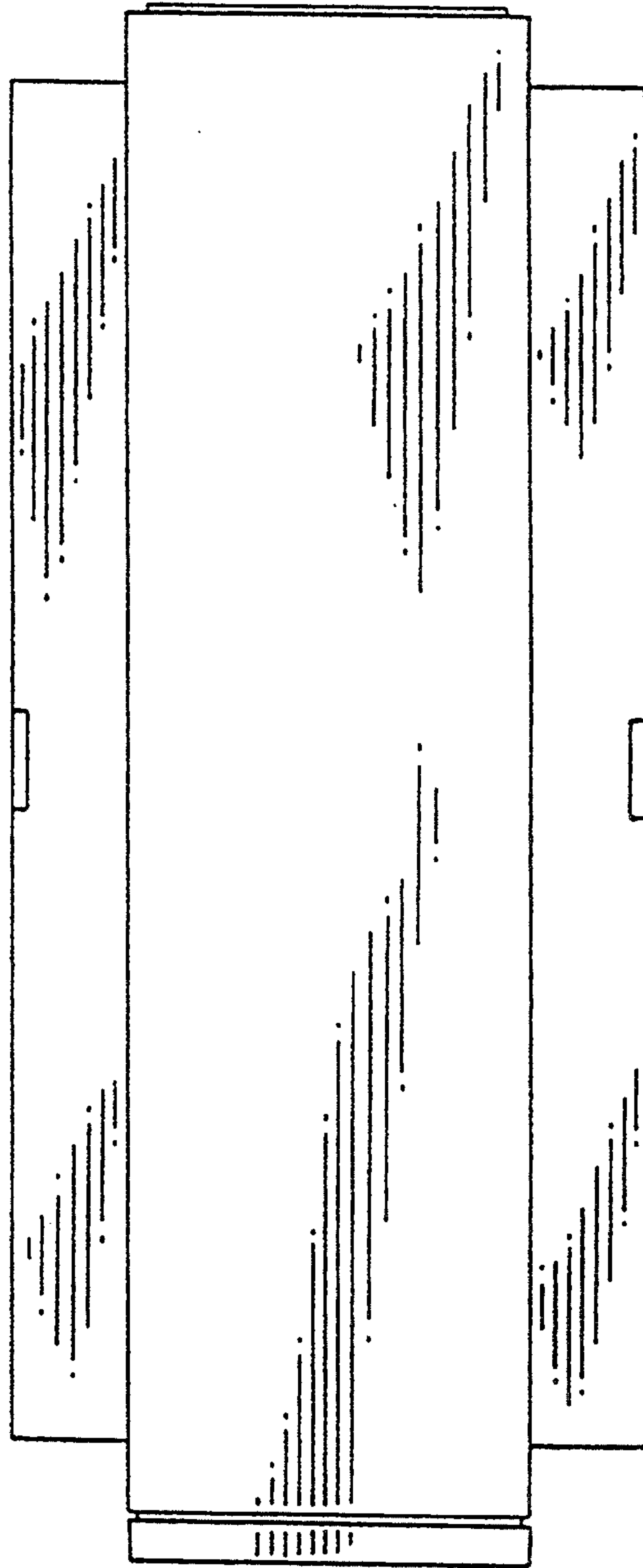


FIG. 3

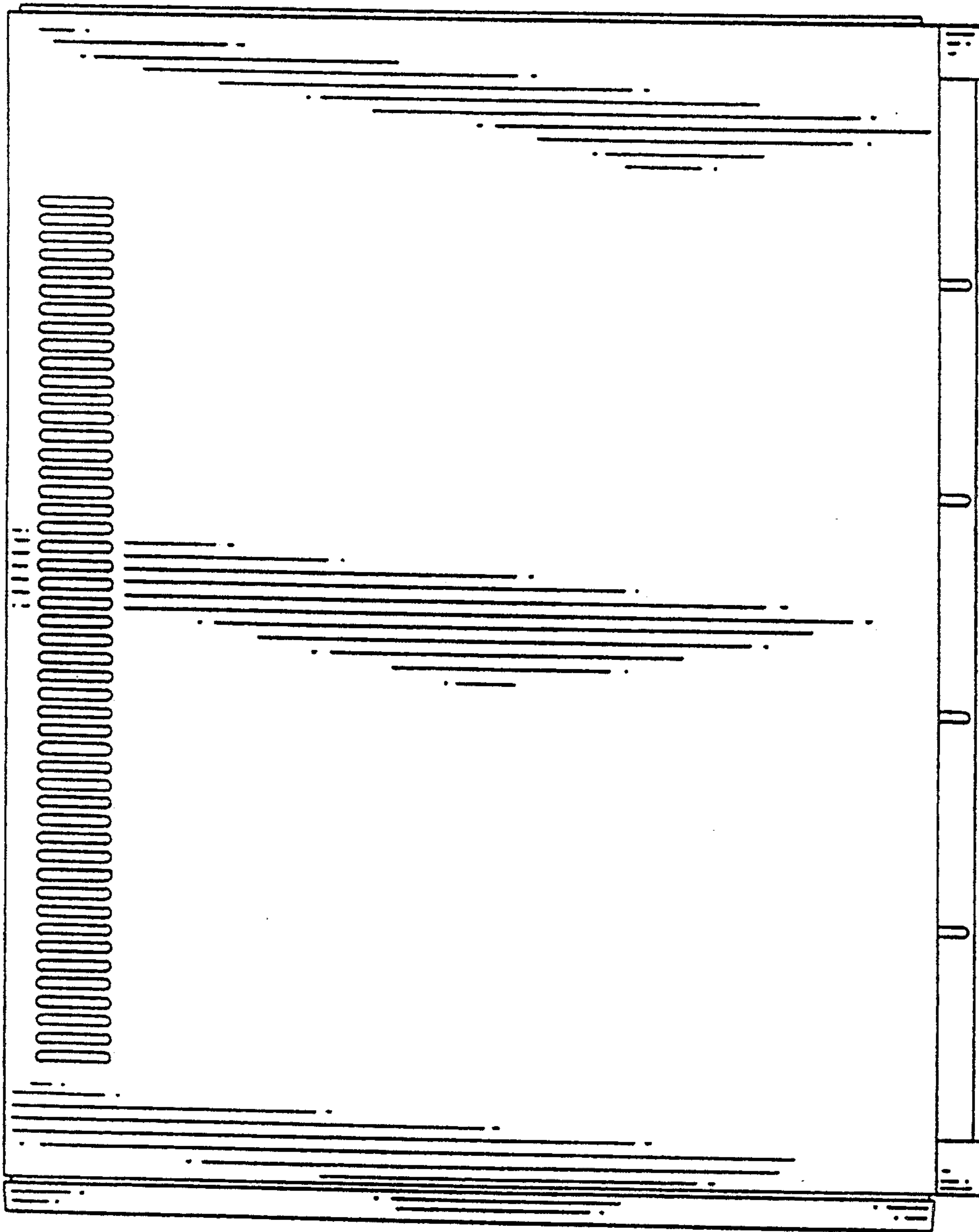


FIG. 4

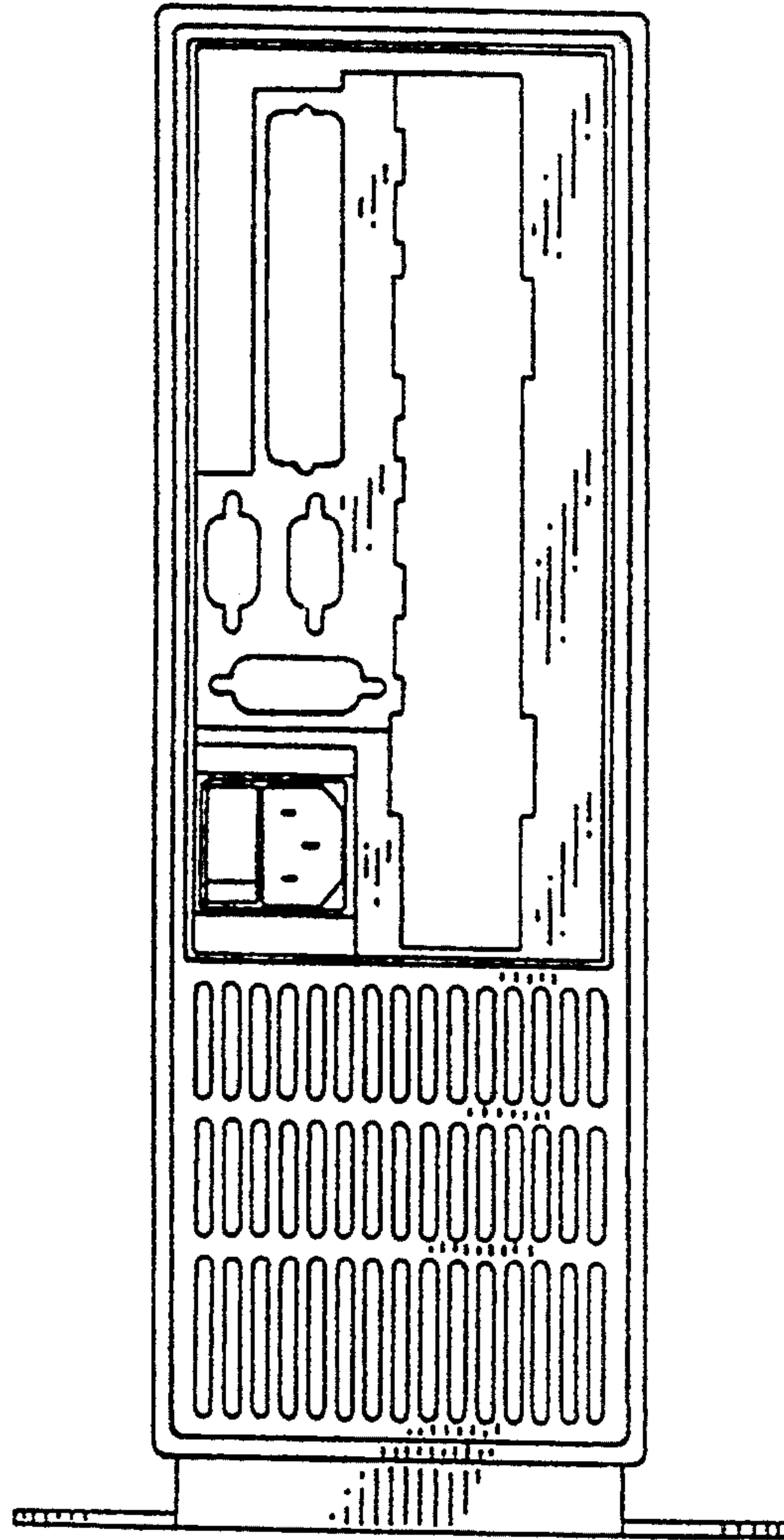


FIG. 5

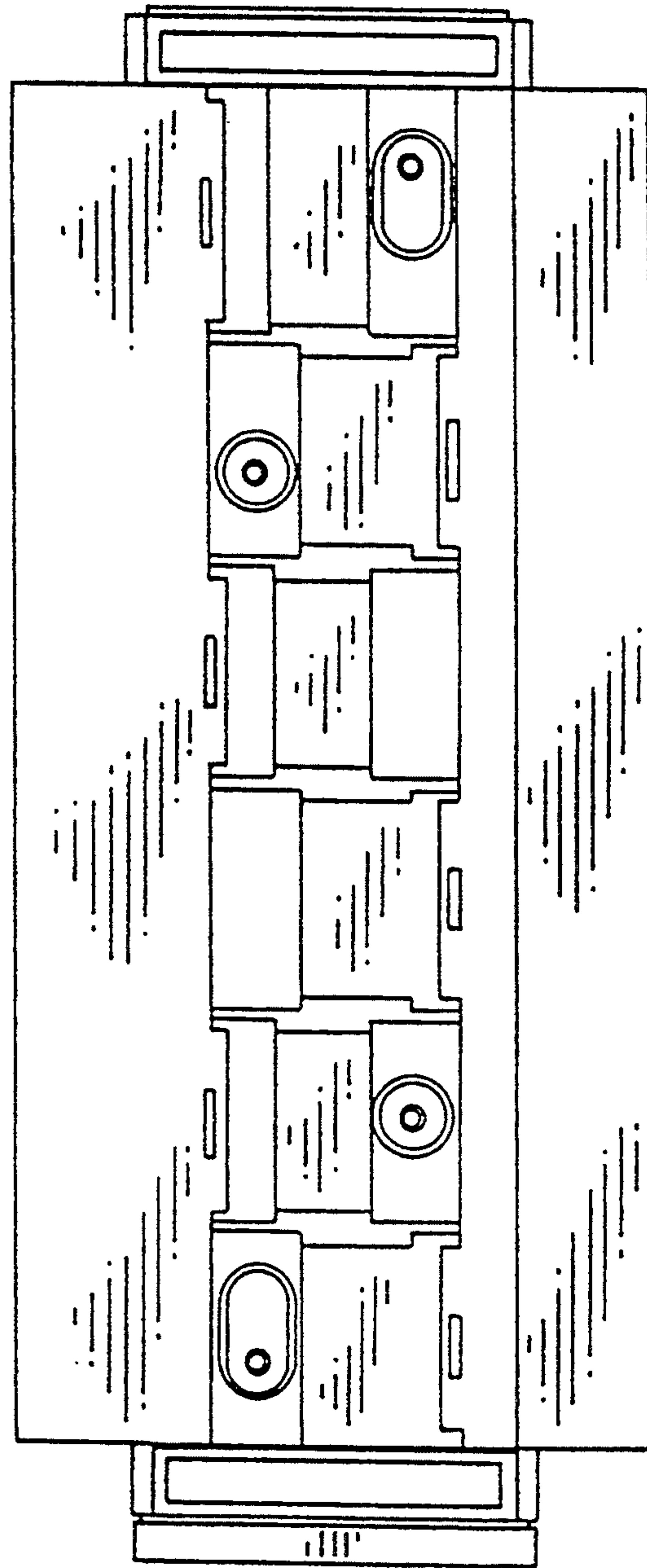


FIG. 6